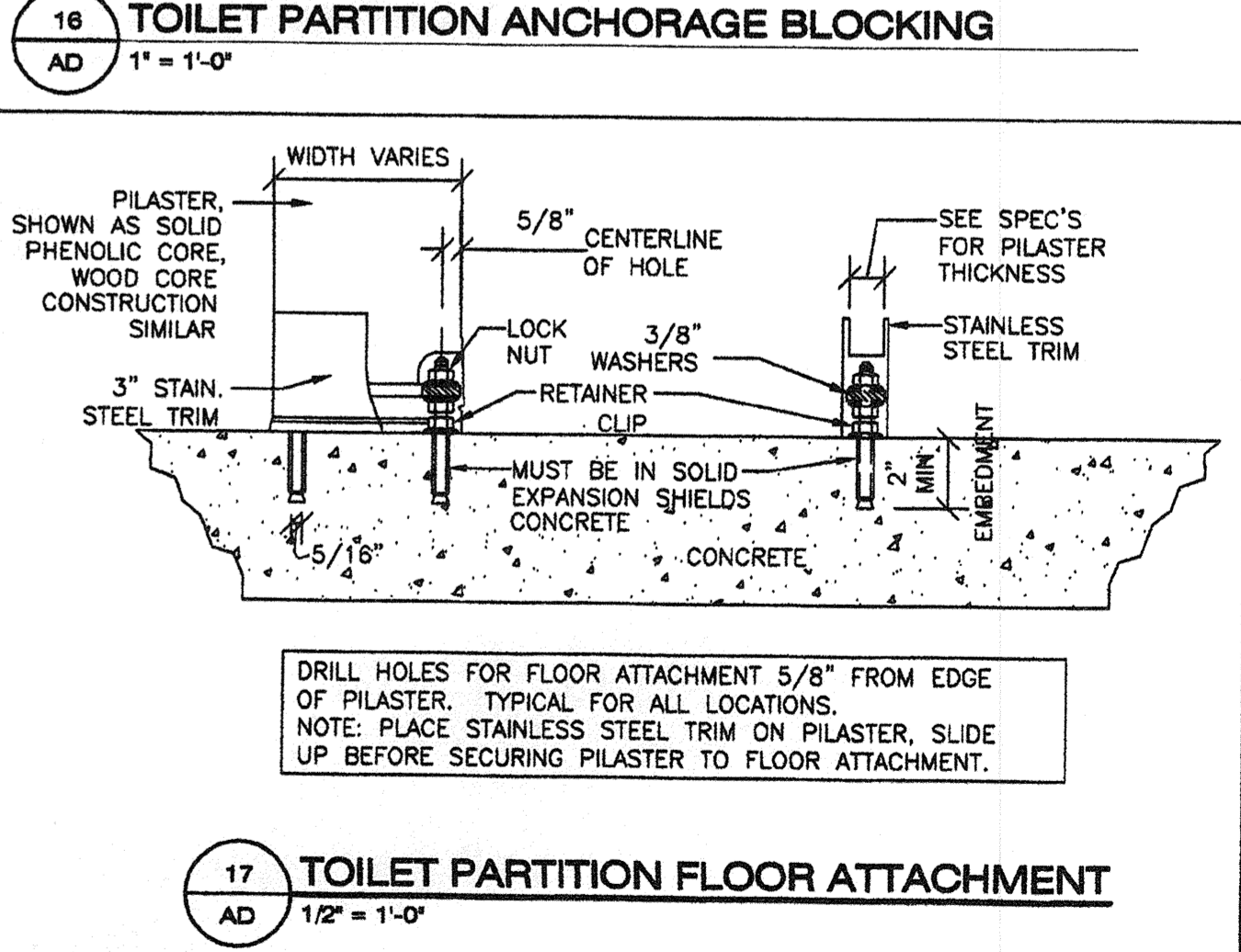
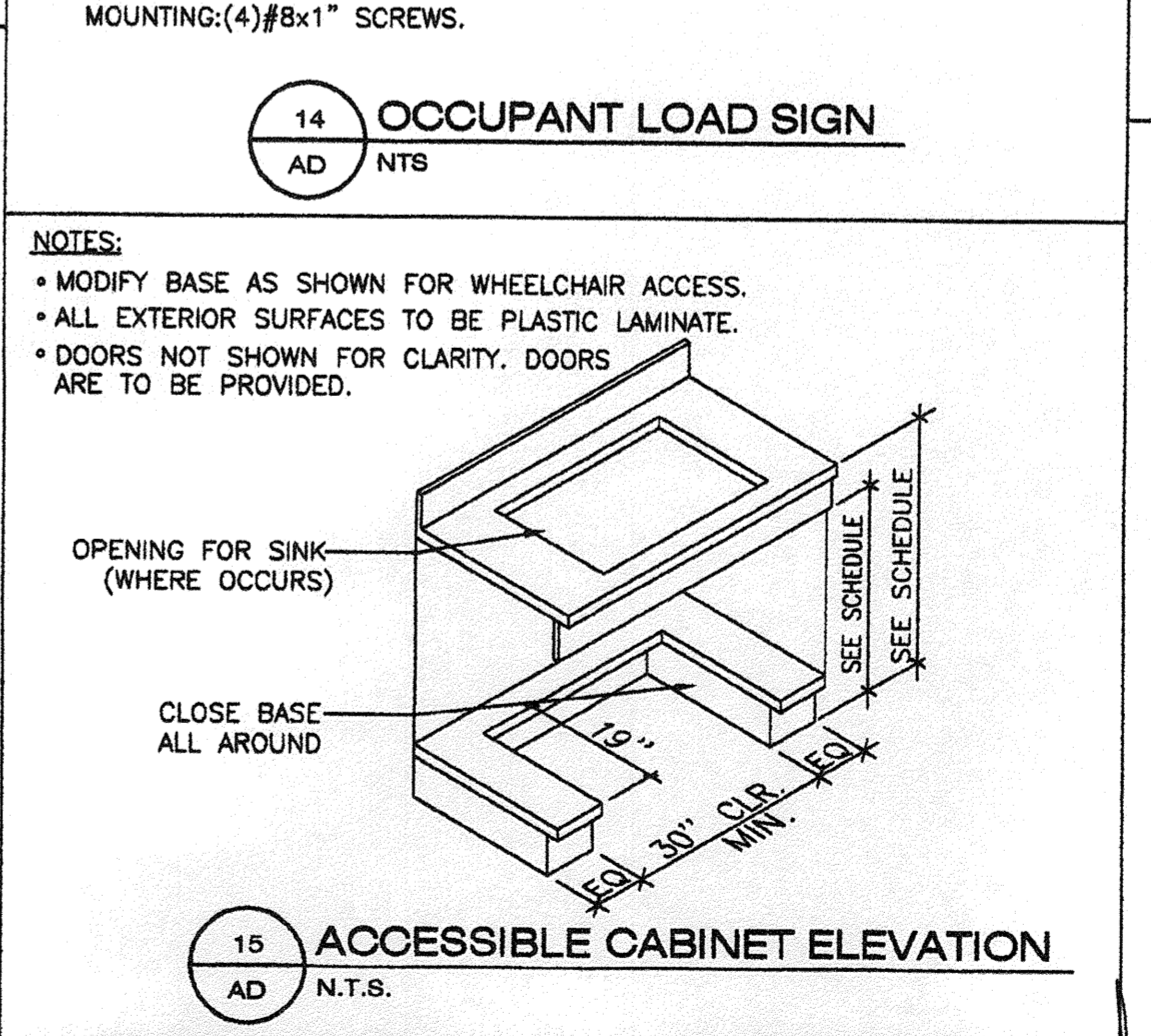
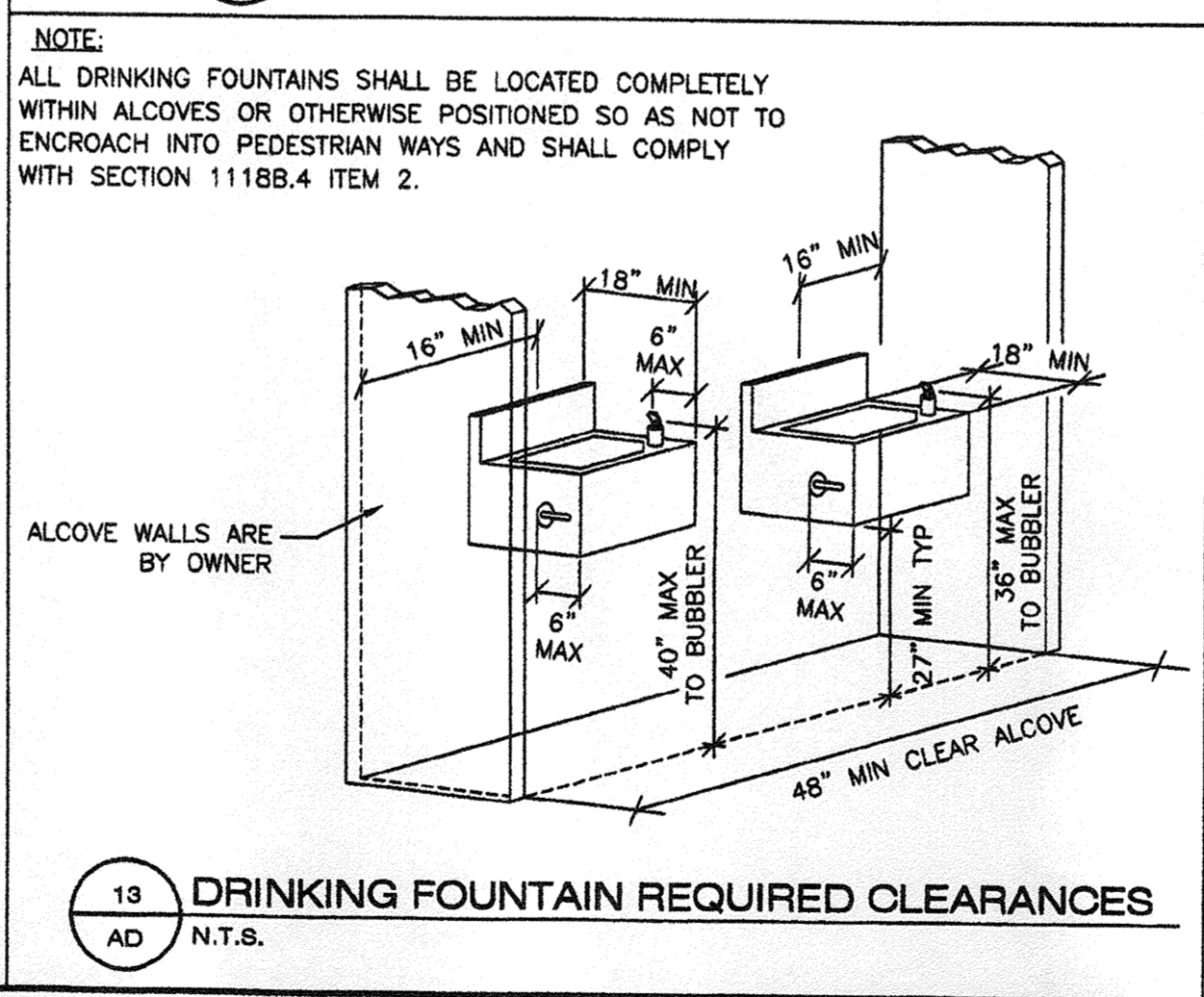
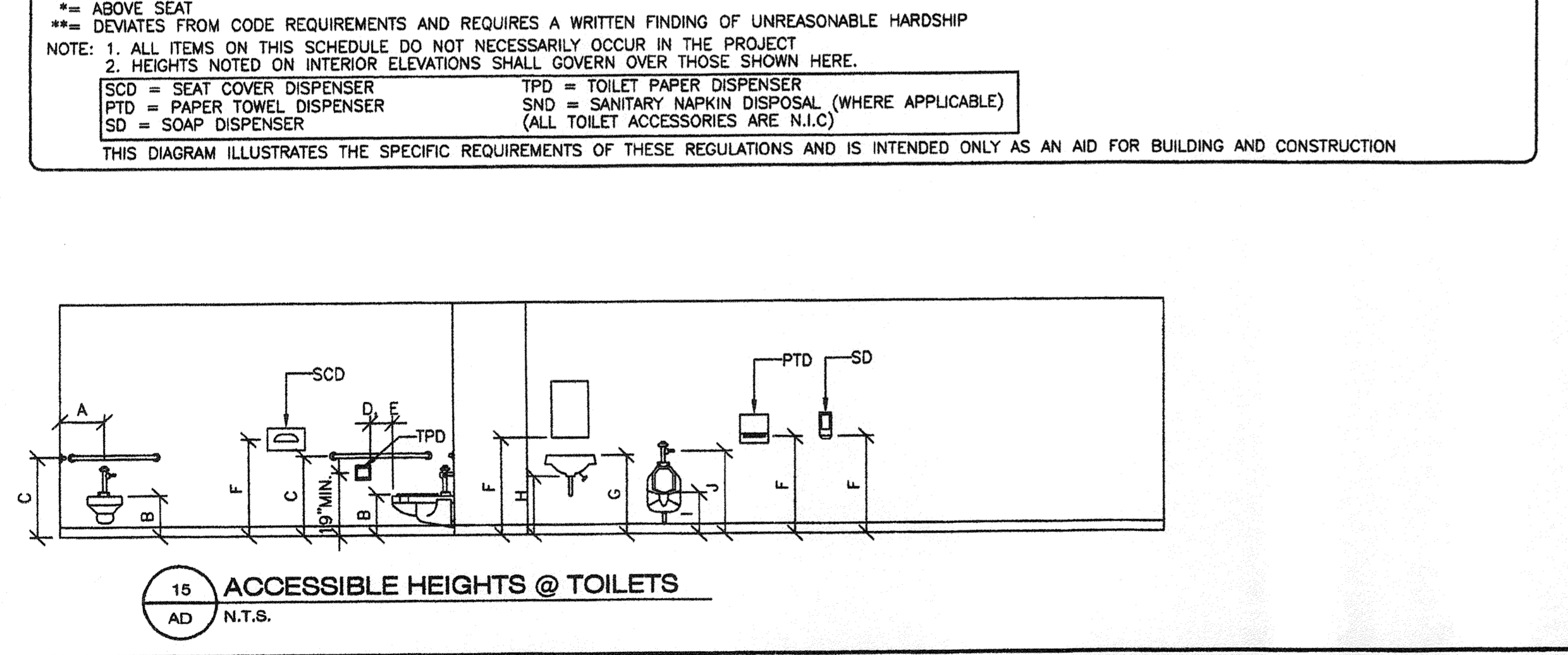
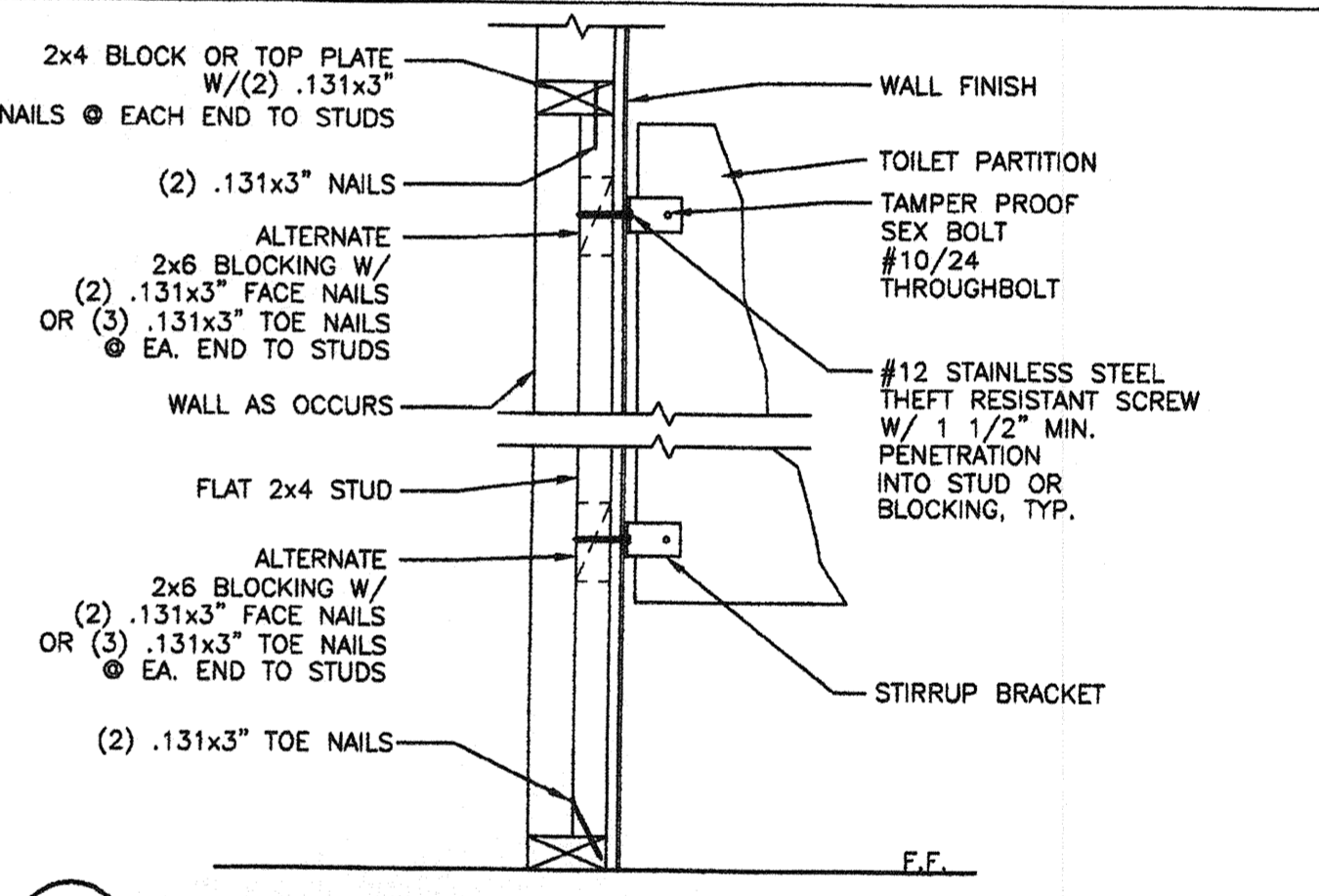
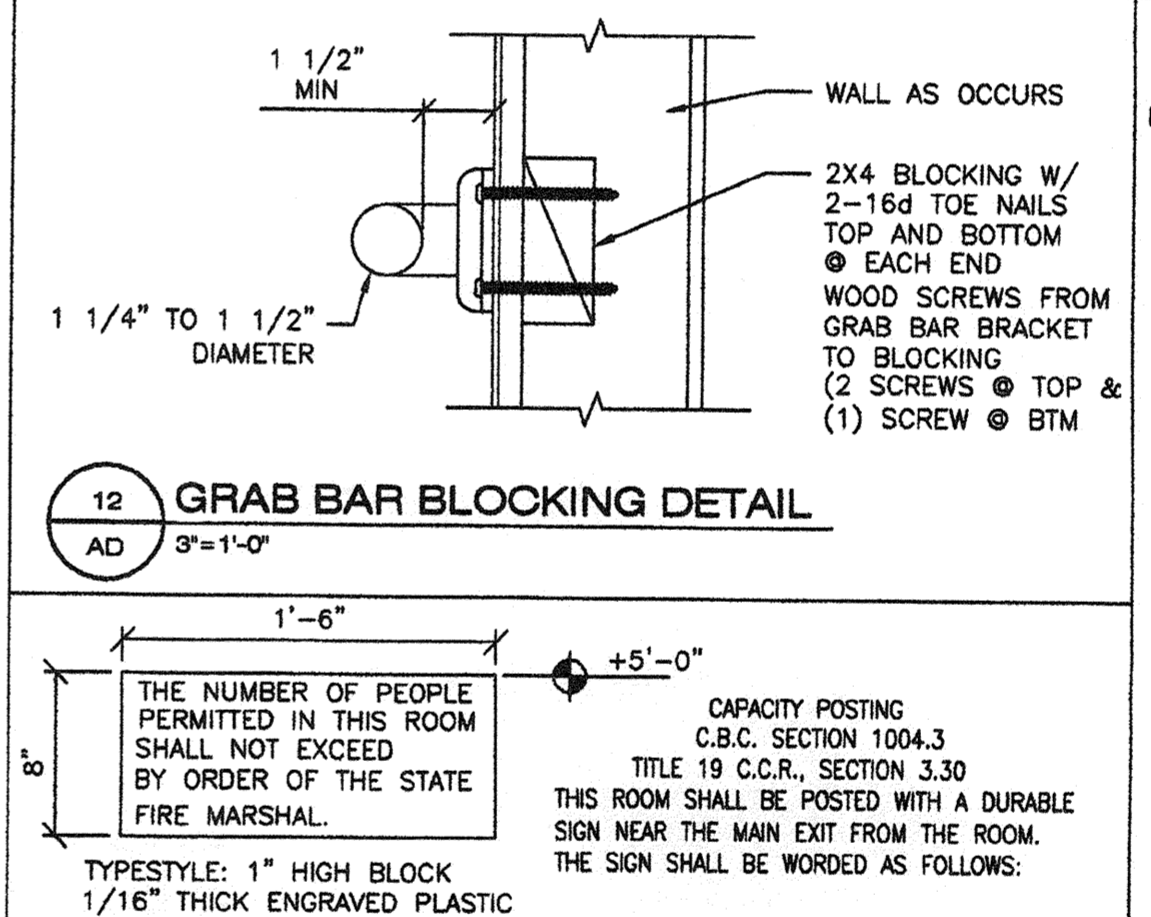
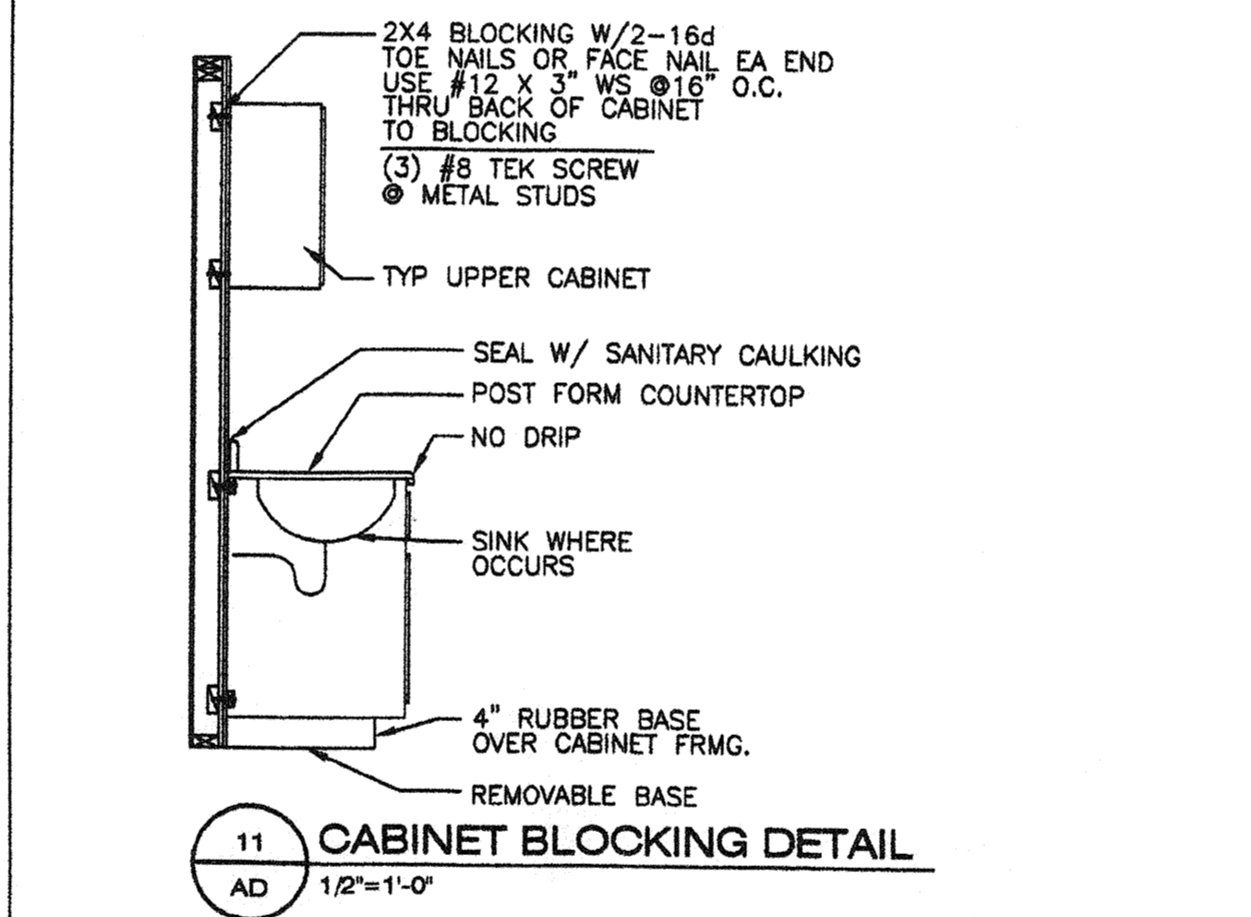
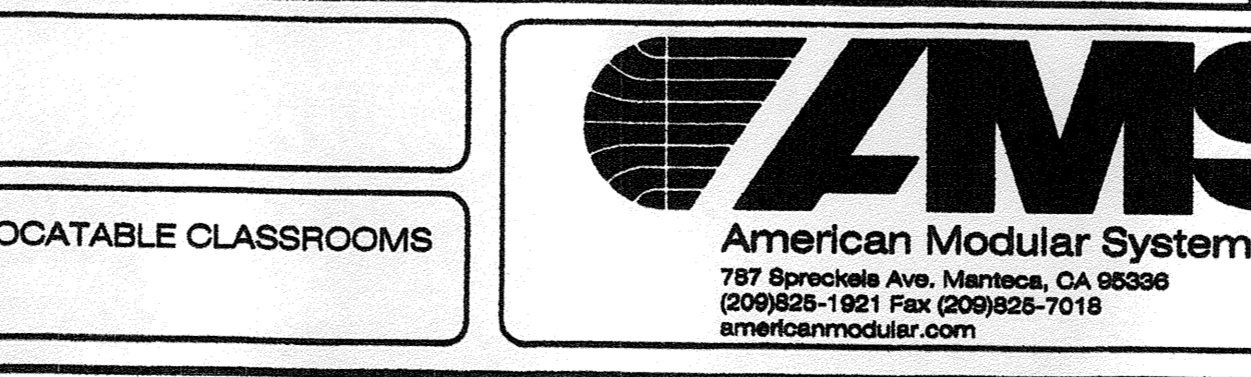


DIMENSIONS FOR ACCESSIBILITY IN TOILET FACILITIES				
FIXTURE TYPE	ADULT (AGE 12 AND OVER) DIMENSION	ELEMENTARY DIMENSION	KINDERGARTEN & PRE-SCHOOL DIMENSION	REMARKS
A TOILET CENTERLINE FROM WALL	18"	15"	12"	FLUSH VALVE TO WIDE SIDE OF STALL TYP
B TOILET SEAT HEIGHT (TO TOP OF SEAT)	17"-19"	15"	10"-12"	
C GRAB BAR HEIGHT	33"	27"	20"-22" ABOVE SEAT *	36" GRAB BAR @ REAR OF TOILET (250 LB CAPACITY TYP) (ALLOWED @ 36" A.F.F. @ TANK TYPE TOILET) 42" GRAB BAR @ SIDE OF TOILET
D TOILET PAPER DISPENSER IN FRONT OF TOILET (TPD)	12" MAX.	6" MAX.	6" MAX. **	12" IN FRONT OF TOILET ROLL PAPER HOLDER WITHOUT STOPS
E NAPKIN DISPOSAL IN FRONT OF TOILET (SND)	12" MAX.	12" MAX.	N/A	24" IN FRONT OF TOILET (BY OWNER)
F DISPENSER OR MIRROR HEIGHT	40" MAX.	36" MAX.	32" MAX.	
G LAVATORY/SINK TOP HEIGHT	34" MAX.	29" MAX.	24" MAX.	WRAP DRAIN WATER IF HOT WATER OCCURS
H LAVATORY/SINK KNEE CLEARANCE	27" MIN.	24" MIN.	19" MIN.	
I URINAL LIP HEIGHT	17" MAX.	15" MAX.	13" MAX.	
J URINAL FLUSH HANDLE HEIGHT	44" MAX.	37" MAX.	32" MAX.	
K DRINKING FOUNTAIN BUBBLER HEIGHT	36" MAX.	32" MAX.	30" MAX.	
L DRINKING FOUNTAIN KNEE CLEARANCE	27" MIN.	24" MIN.	22" MIN.	
M RAMP/STAIR HANDRAIL HEIGHT	34"-38"	27"	22"	



REVISIONS		
NO.	DATE	DESCRIPTION

DATE: 12/02/04
 SCALE: NOTED
 DRAWN BY: DM
 SERIAL NO.:
 CUSTOMER:
 2:12 PITCHED ROOF 24' x 40' THRU 120' x 40' RELOCATABLE CLASSROOMS
 ACCESSIBLE DETAILS



APPROVALS:
 IDENTIFICATION STAMP
 DIV. OF THE STATE ARCHITECT
 112985
 DATE: SEP 24 2003

PROJECT NO. PC
 IDENTIFICATION STAMP
 DIV. OF THE STATE ARCHITECT
 OFFICE OF REGULATION SERVICES
 PC 02-109695
 AC: FLS: CH: SS: J
 DATE: 3/23/2004
 AD