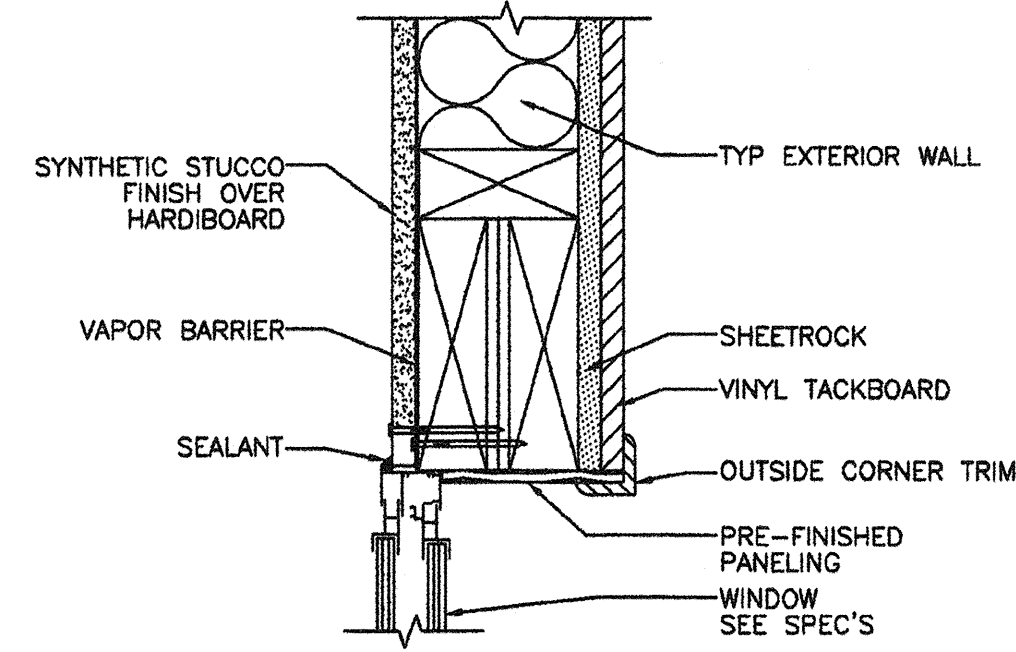
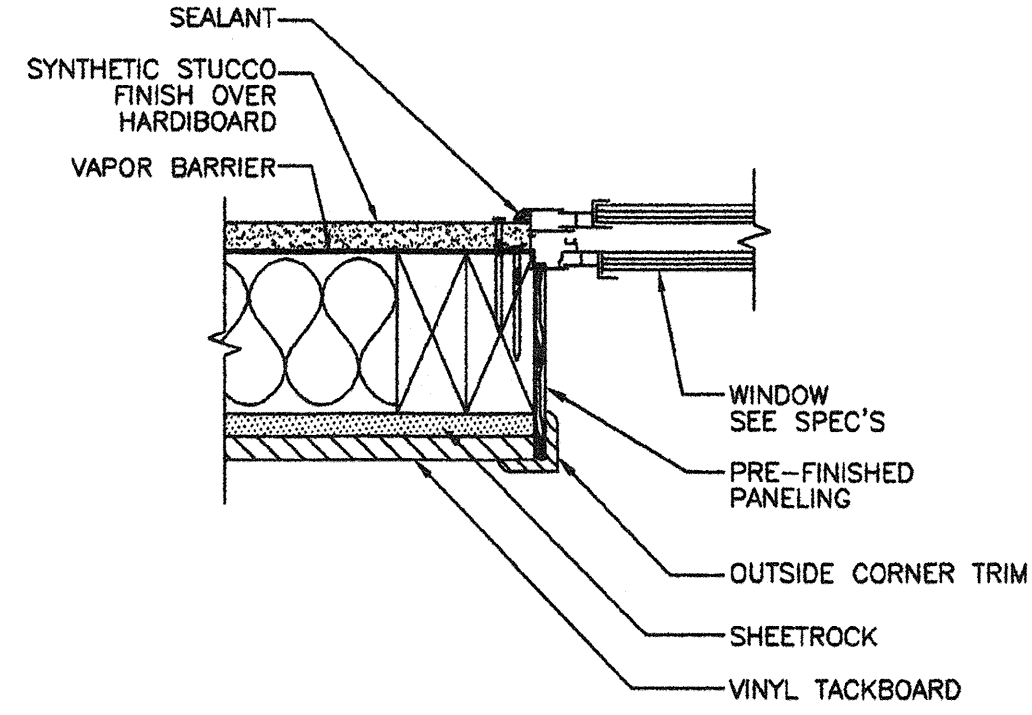


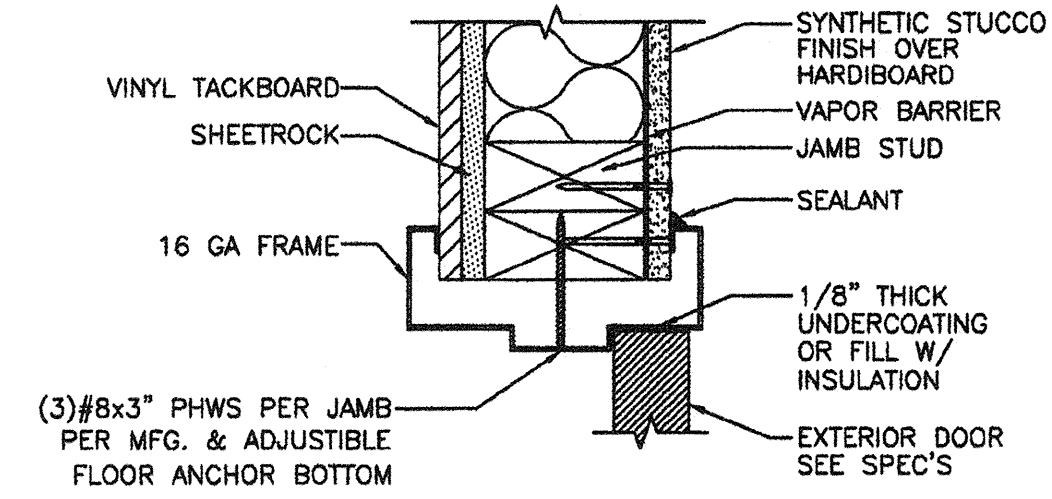
1 TYP WINDOW SILL DETAIL
A5A 3'-1'-0"



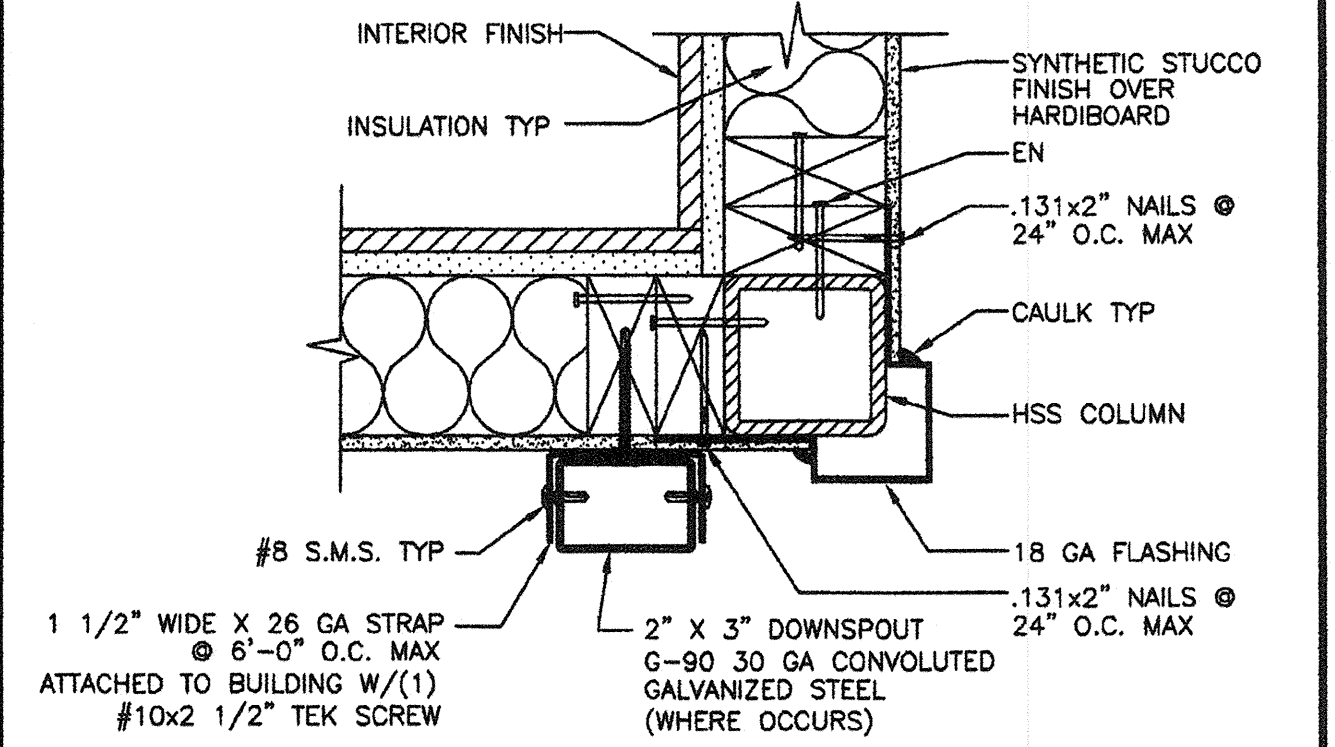
2 TYP WINDOW HEADER DETAIL
A5A 3'-1'-0"



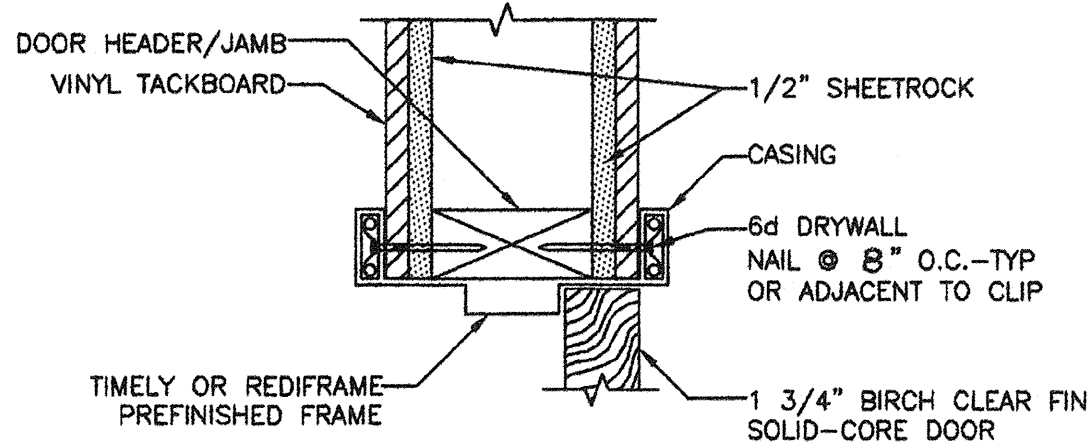
3 TYP WINDOW JAMB DETAIL
A5A 3'-1'-0"



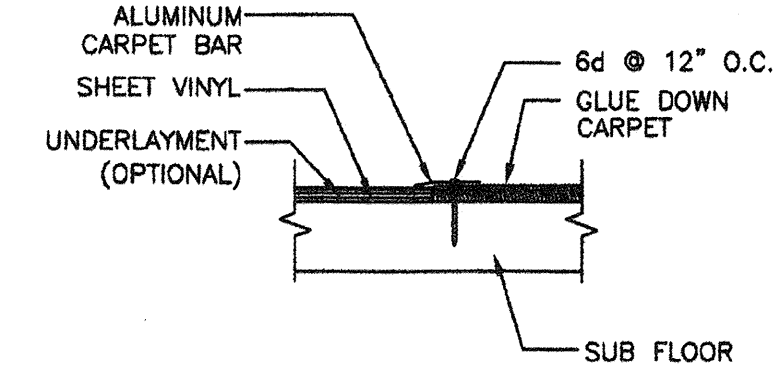
4 TYP DOOR JAMB DETAIL
A5A 3'-1'-0"



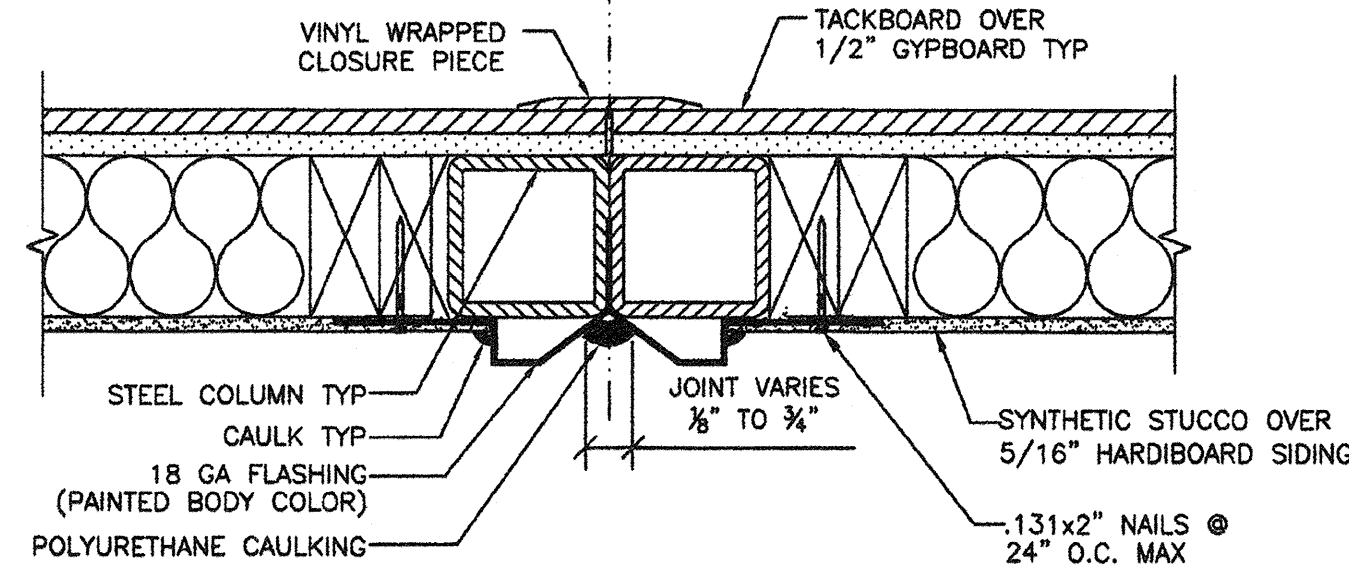
5 DOWNSPOUT ATTACHMENT DETAIL
A5A 3'-1'-0"



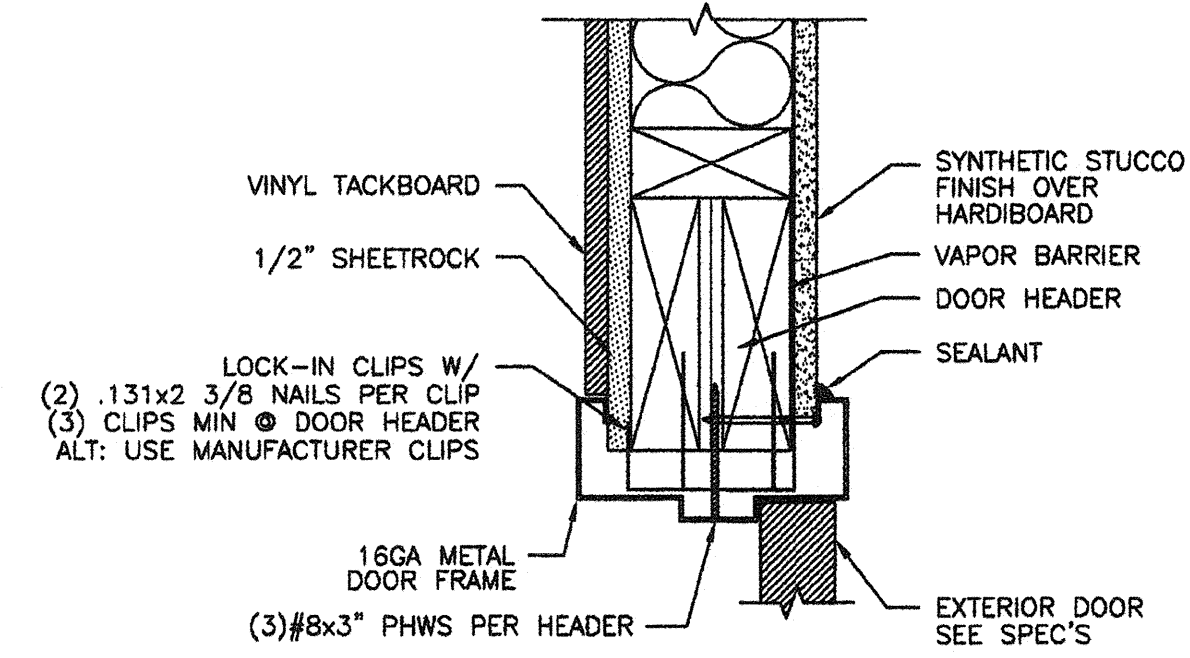
6 TYP INTERIOR DOOR HEADER DETAIL
A5A 3'-1'-0"



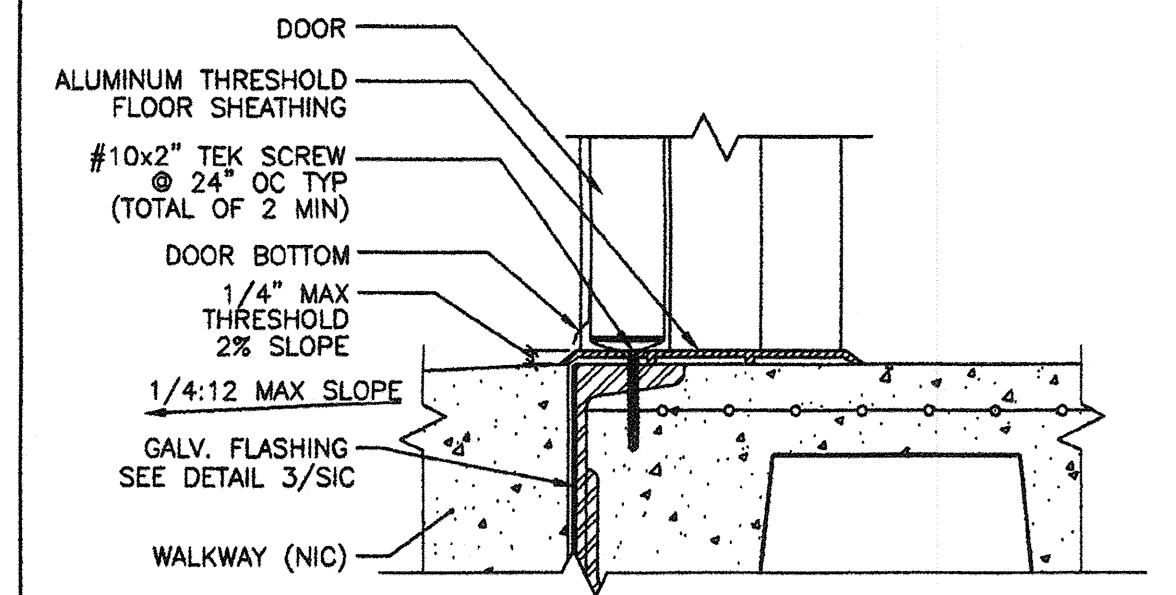
7 FLOORING DETAIL
A5A 3'-1'-0"



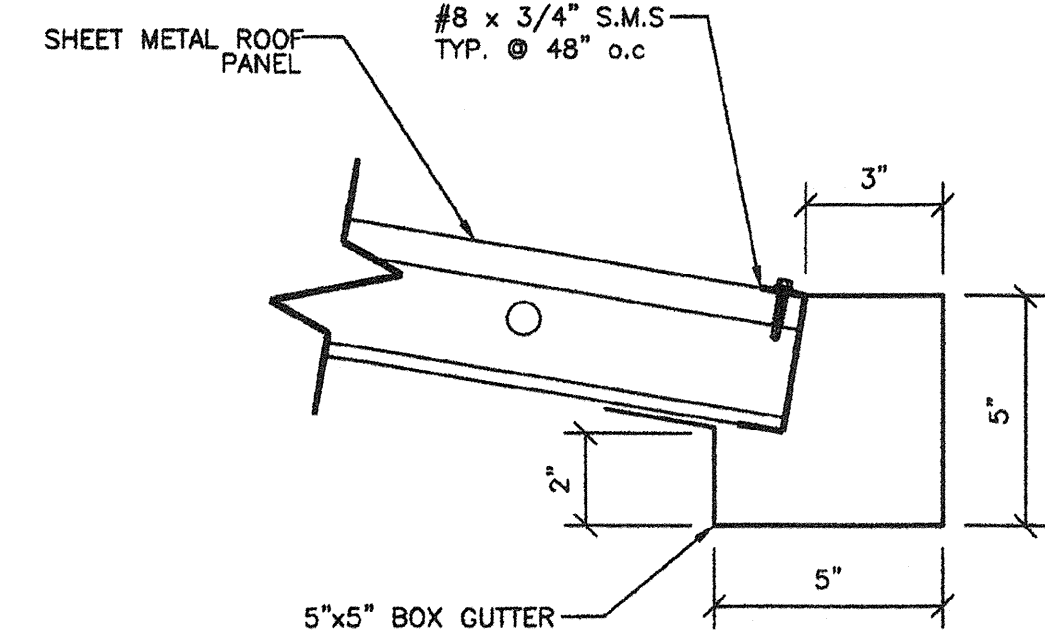
8 TYP MODLINE CLOSURE DETAIL
A5A 3'-1'-0"



9 TYP DOOR HEADER DETAIL
A5A 3'-1'-0"



10 THRESHOLD DETAIL
A5A 1 1/2'-1'-0"



11 TYP GUTTER ATTACHMENT DETAIL
A5A 3'-1'-0"

IDENTIFICATION STAMP
DIV. OF THE STATE ARCHITECT
OFFICE OF REGULATION SERVICES
No. C12631
Ren. 2.21.04
DATE 3/27/09

REVISIONS		
NO	DATE	DESCRIPTION

DATE: 2/6/08
SCALE: NOTED
DRAWN BY: DM
SERIAL NO.:

CUSTOMER:
2:12 PITCHED ROOF 24' x 40' THRU 120' x 40' RELOCATABLE CLASSROOMS
ARCHITECTURAL DETAILS (SYNTHETIC STUCCO OPTION)

AMS
American Modular Systems Inc.
787 Spreckels Ave, Manteca, CA 95338
(209)925-1821 Fax: (209)925-7018
americanmodular.com

APPROVALS:

IDENTIFICATION STAMP
DIV. OF THE STATE ARCHITECT
OFFICE OF REGULATION SERVICES
PC 02-109695
AC FLS. FL. SS
DATE 3/27/09

PROJECT No.
A5A

THESE DRAWINGS AND SPECIFICATIONS ARE THE PROPERTY OF AMERICAN MODULAR SYSTEMS, INC. AND ARE NOT TO BE REPRODUCED, CHANGED OR COPIED IN ANY FORM OR MANNER, NOR ARE THEY TO BE ASSIGNED TO ANY THIRD PARTY WITHOUT THE WRITTEN AUTHORIZATION OF AMERICAN MODULAR SYSTEMS, INC.