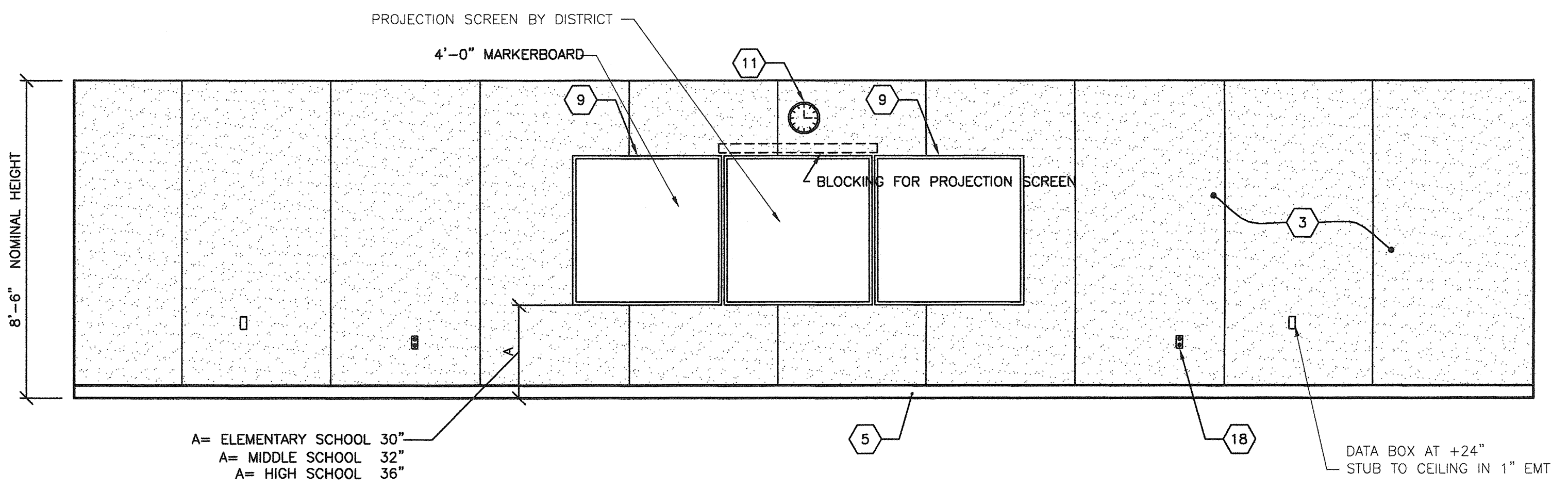
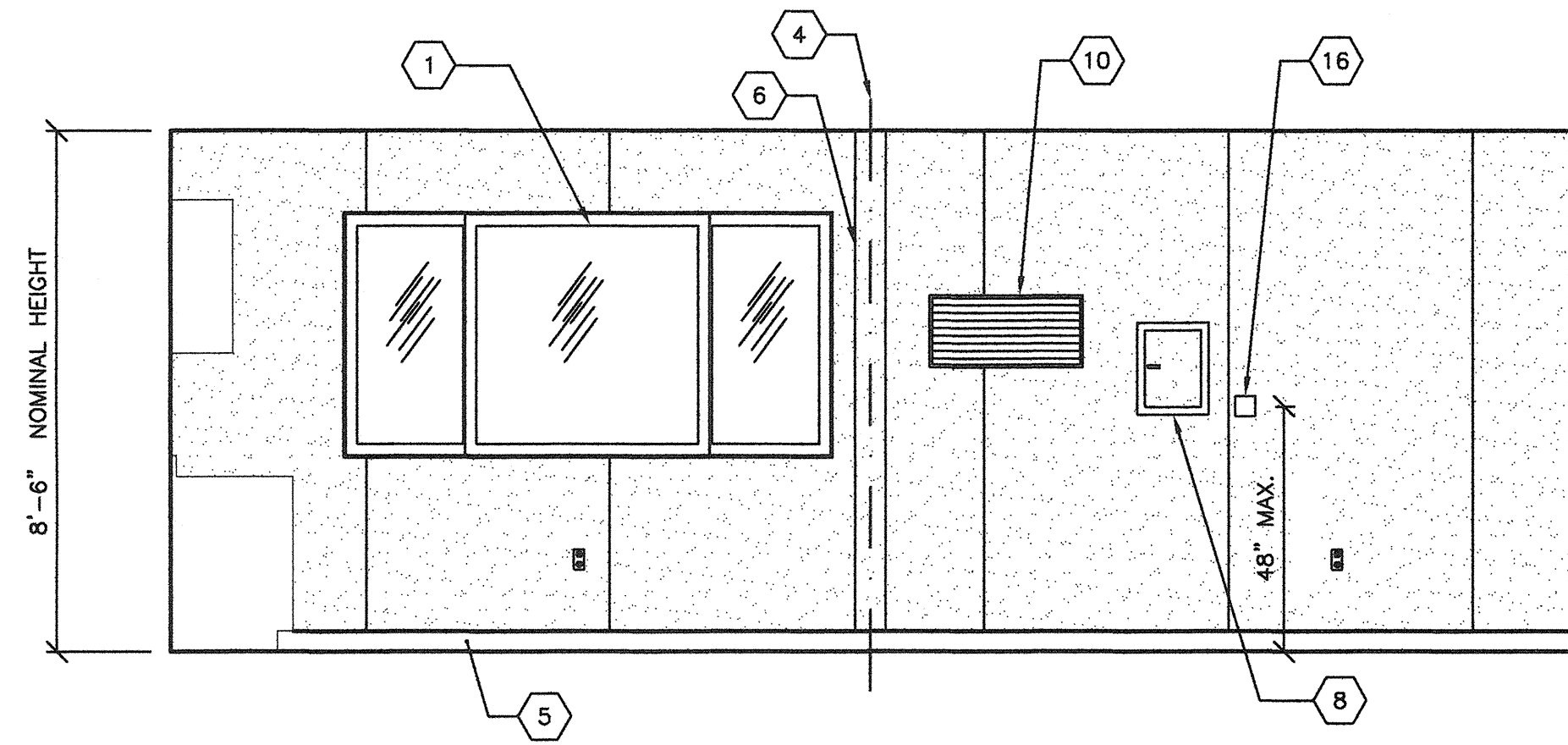


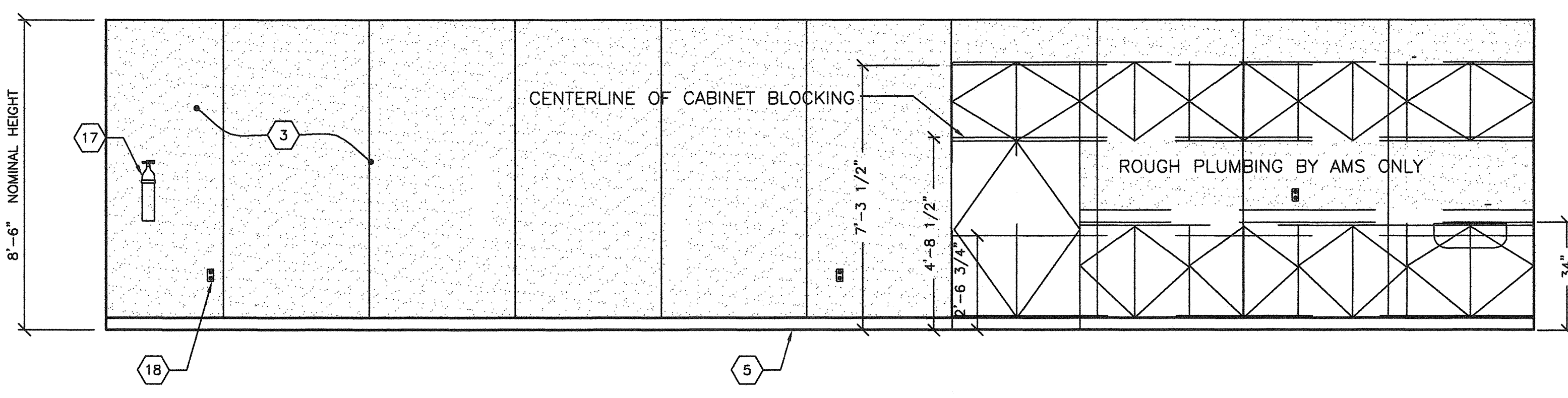
1 TYPICAL CLASSROOM FRONT END WALL ELEVATION
A3A 3/8"=1'-0"



2 TYPICAL CLASSROOM SIDE WALL ELEVATION
A3A 3/8"=1'-0"



3 TYPICAL CLASSROOM REAR END WALL ELEVATION
A3A 3/8"=1'-0"



4 TYPICAL CLASSROOM SIDE WALL ELEVATION
A3A 3/8"=1'-0"

BASED ON PC# 02-109695

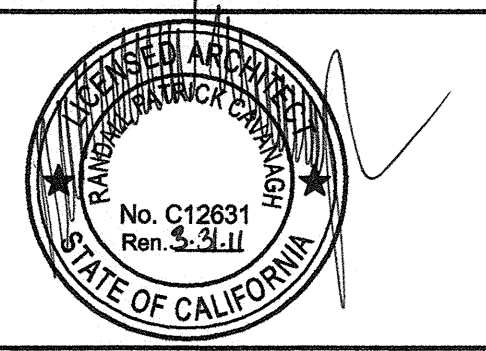
REVISIONS		
NO	DATE	DESCRIPTION
1		
2		
3		
4		

DATE: 08/13/09
SCALE: NOTED
DRAWN BY: RS
SERIAL NO.:

CUSTOMER:
BAKERSFIELD CITY SCHOOLS
MUNSEY AND FREMONT ELEMENTARY SCHOOL

2:12 PITCHED ROOF 24' x 40' RELOCATABLE BUILDINGS
TYPICAL INTERIOR ELEVATIONS

APPROVALS:



IDENTIFICATION STAMP
DIV. OF THE STATE ARCHITECT
OFFICE OF REGULATION SERVICES
03-112985
AC, FLS, SS
DATE SEP 24 2009

PROJECT No.
A3A

THESE DRAWINGS AND SPECIFICATIONS ARE THE PROPERTY OF AMERICAN MODULAR SYSTEMS AND ARE NOT TO BE REPRODUCED, CHANGED OR COPIED IN ANY FORM OR MANNER, NOR ARE THEY TO BE ASSIGNED TO ANY THIRD PARTY WITHOUT THE WRITTEN AUTHORIZATION OF AMERICAN MODULAR SYSTEMS.