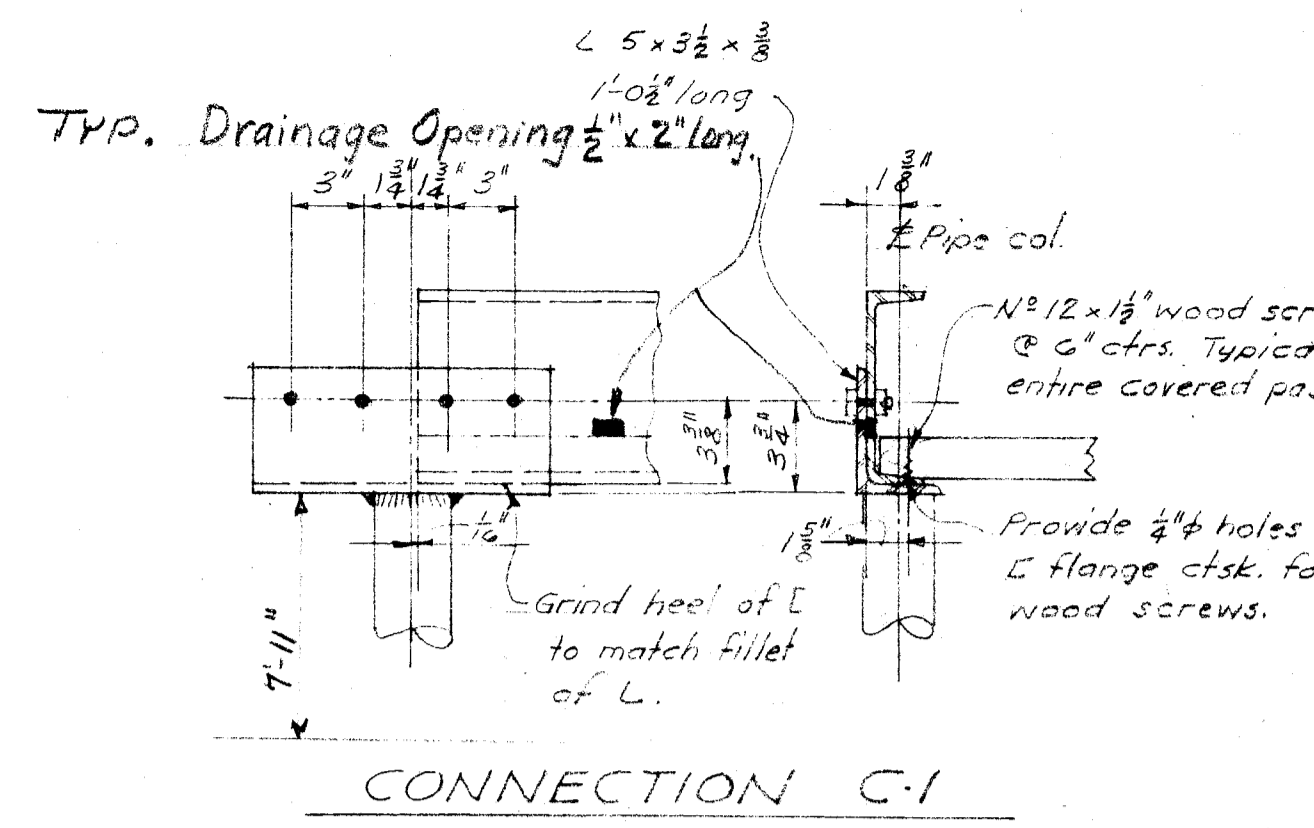
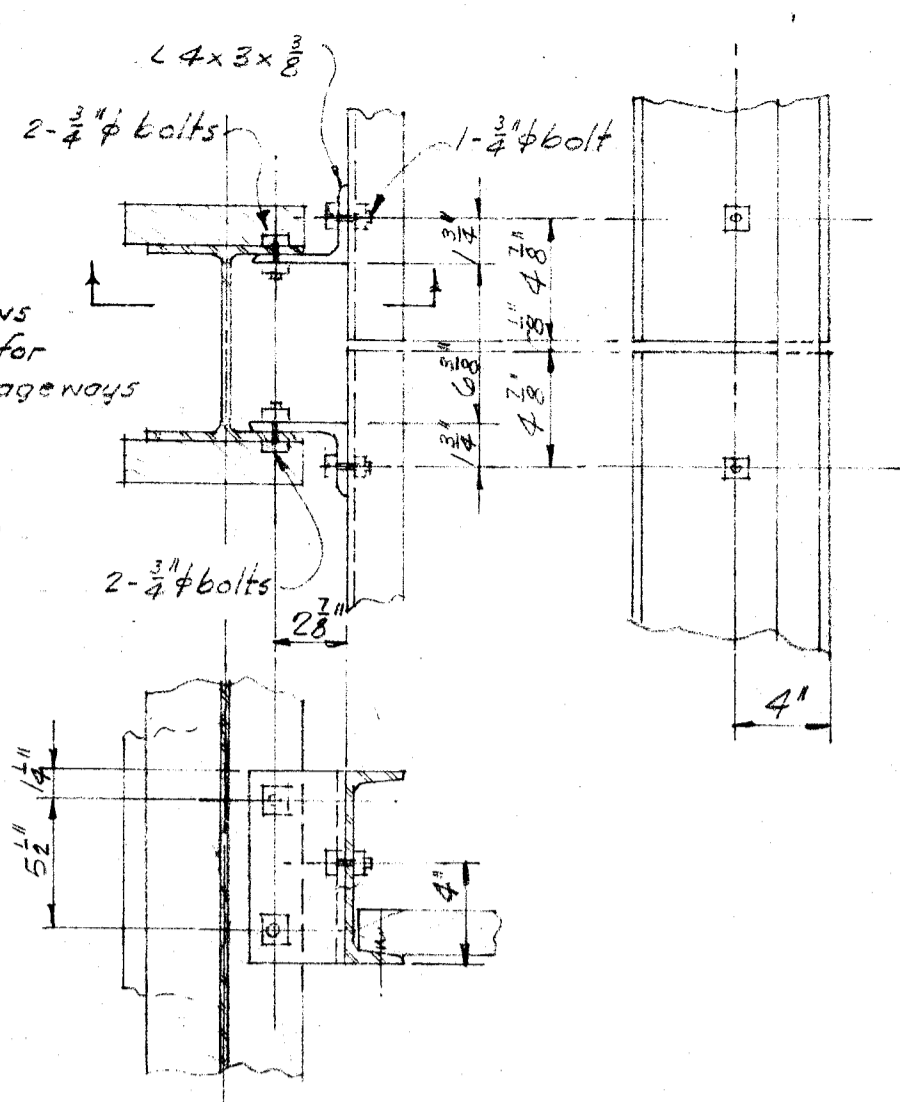


TYPICAL PANEL

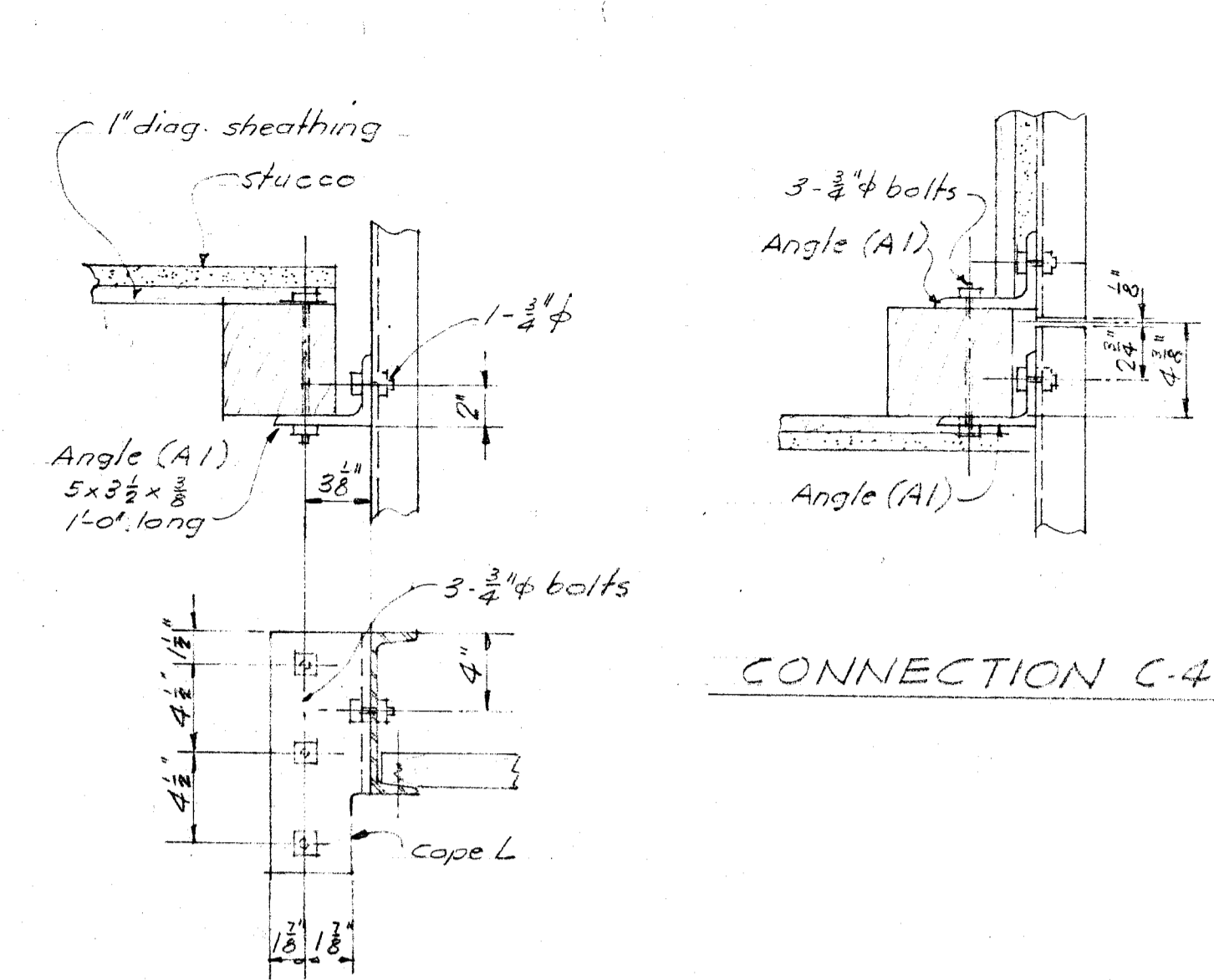
TABLE OF PANEL SIZES			
MARK	L	W	REMARKS
P6	20'-5"	6'-10 1/2"	
P7	20'-5"	7'-6"	
P8			Assemble in place
P9	20'-5"	7'-6"	See Plan - Diagonal cut one end
P10		7'-6"	See Plan - One end on diagonal
P11			
P12			Assemble in place
P13			
P14	10'-0"	6'-9"	
P15	20'-5"	7'-6"	See Plan - Diagonal cut one end
P16	20'-5"	7'-6"	Assemble in place
P17			
P18	8'-10"	7'-6"	
P19	8'-10"	6'-10 1/2"	
P20			Assemble in place
P21	15'-0"	7'-0"	
P22	11'-0"	7'-0"	
P23	10'-0"	7'-0"	
P24	13'-1 1/2"	7'-0"	
P25	9'-2 1/2"	7'-0"	
P26	16'-0"	6'-9"	
P27			SEE PLAN



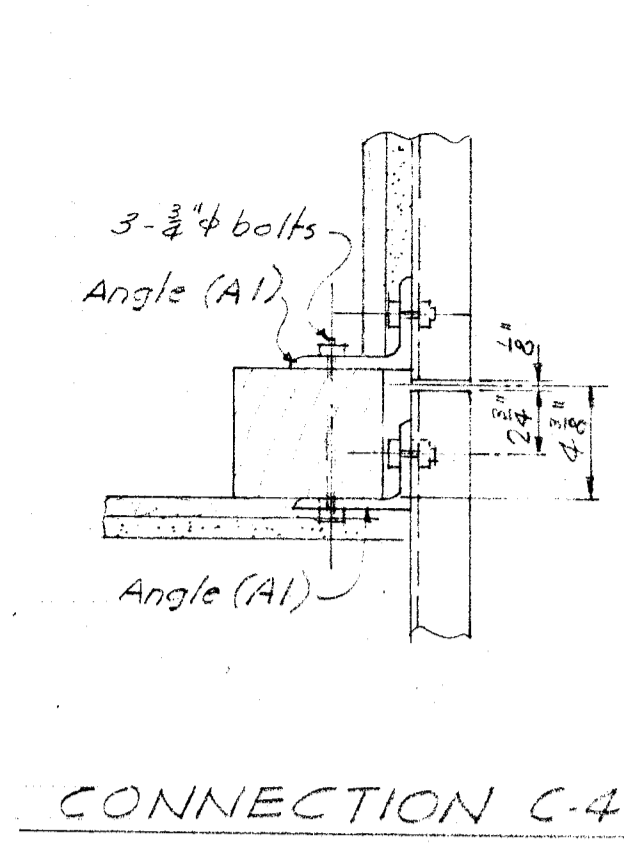
CONNECTION C-1



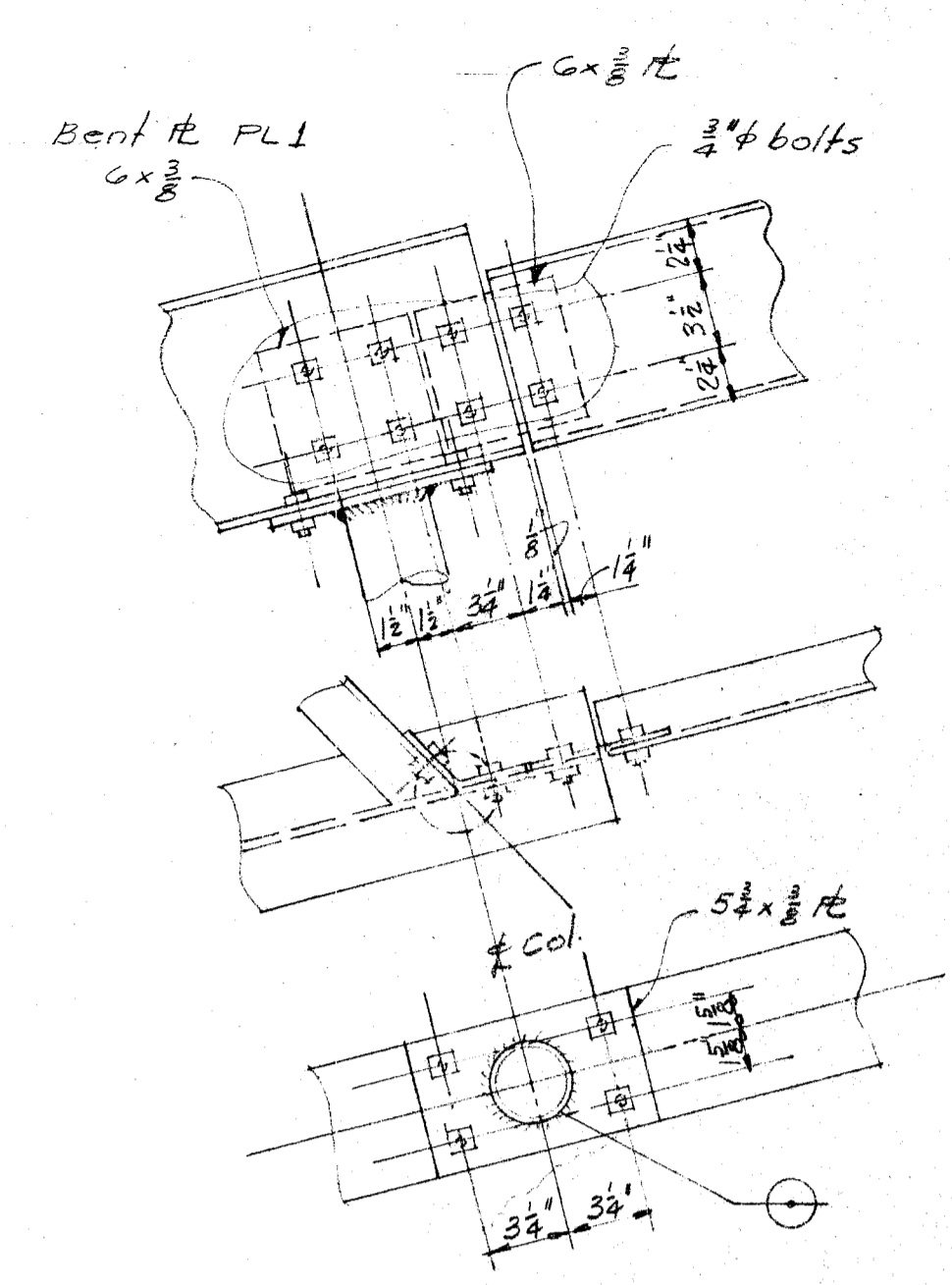
CONNECTION C-2



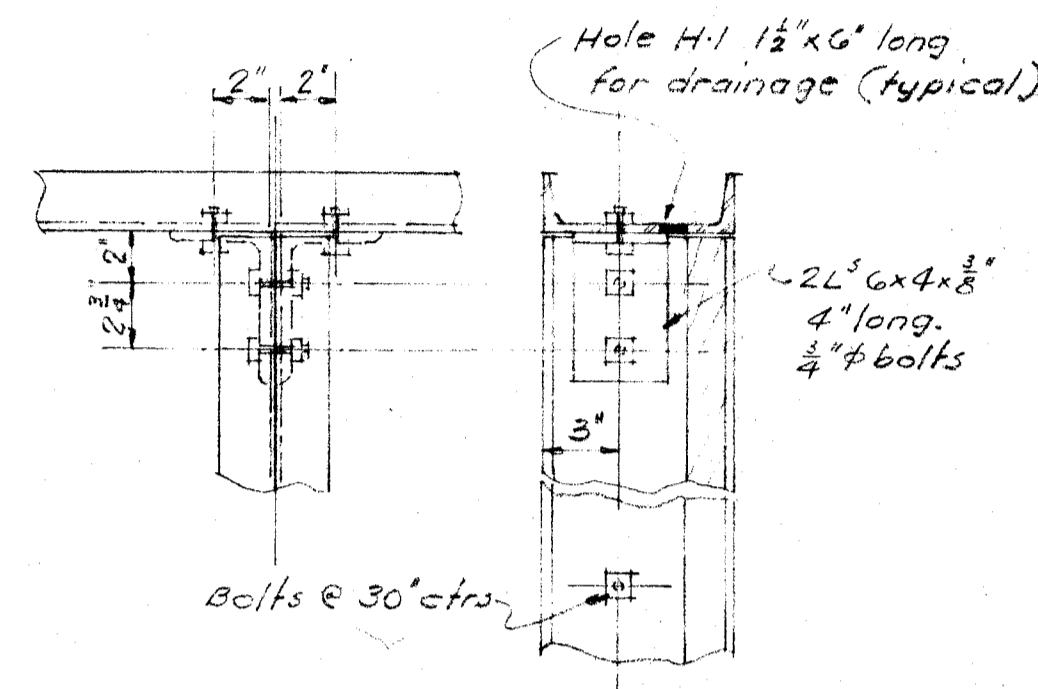
CONNECTION C-3



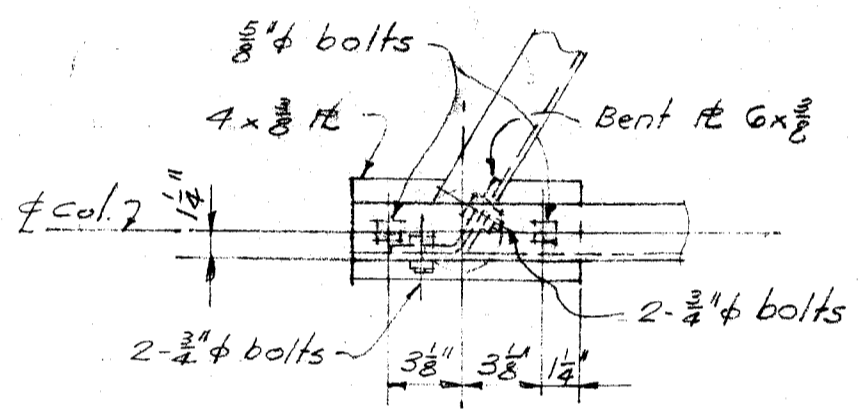
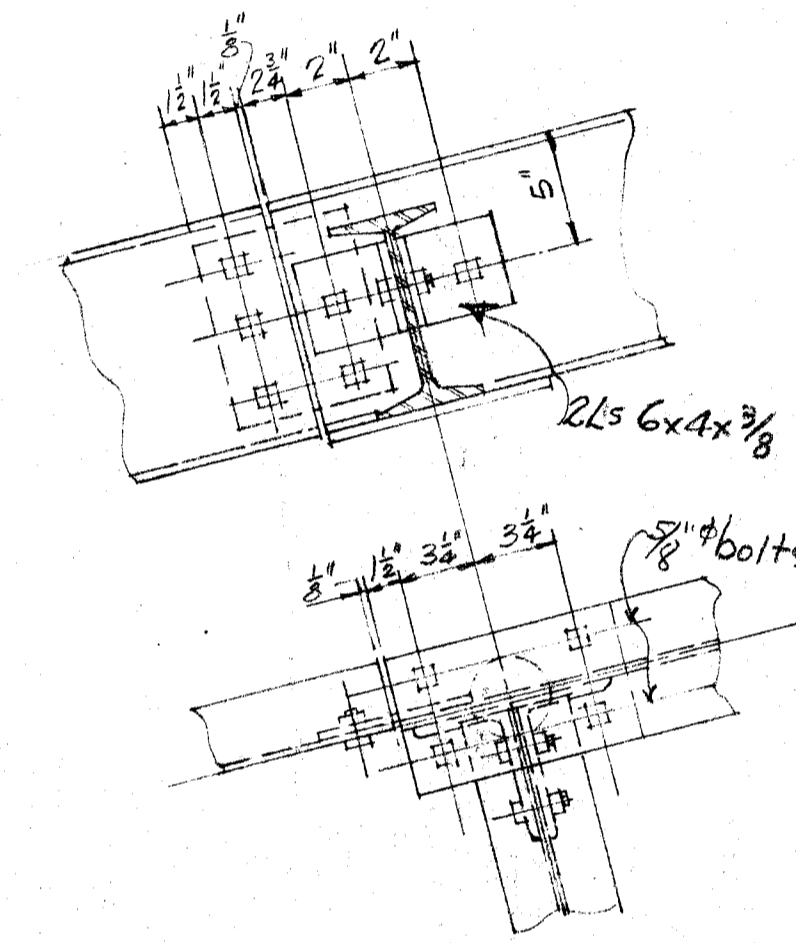
CONNECTION C-4



CONNECTION C-5



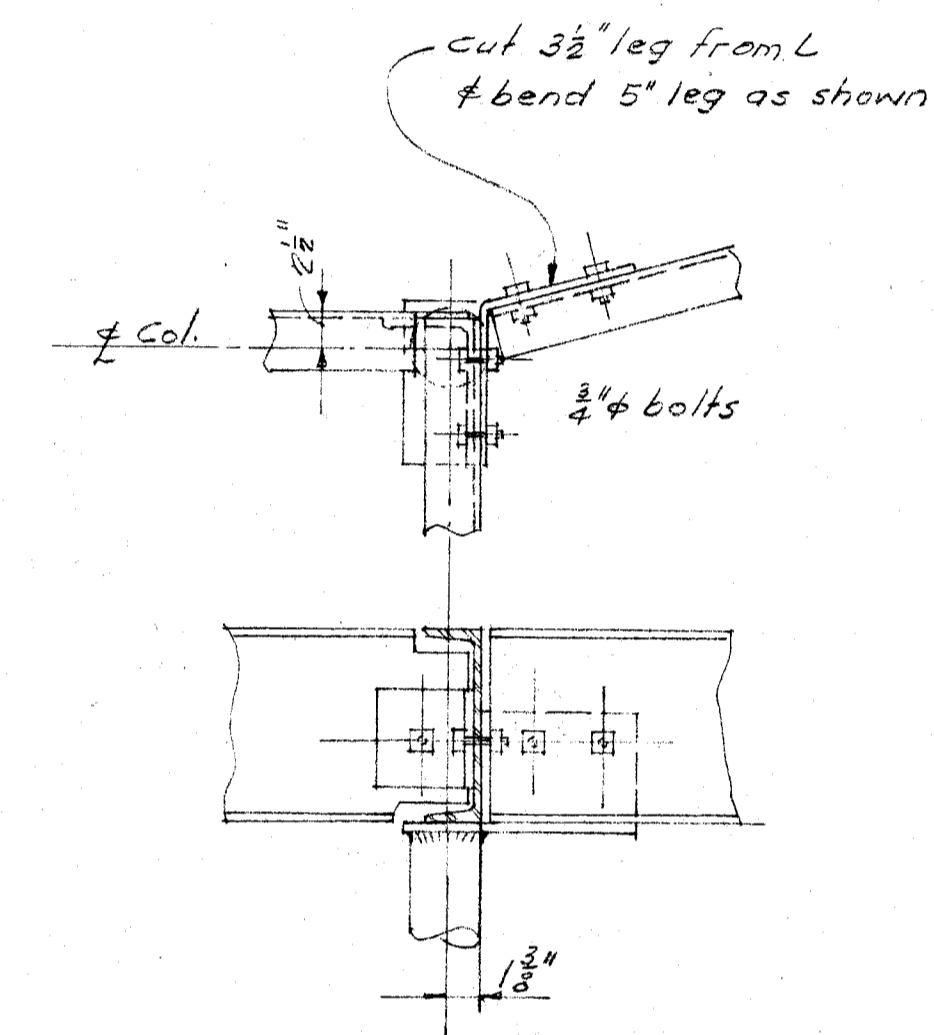
CONNECTION C-6



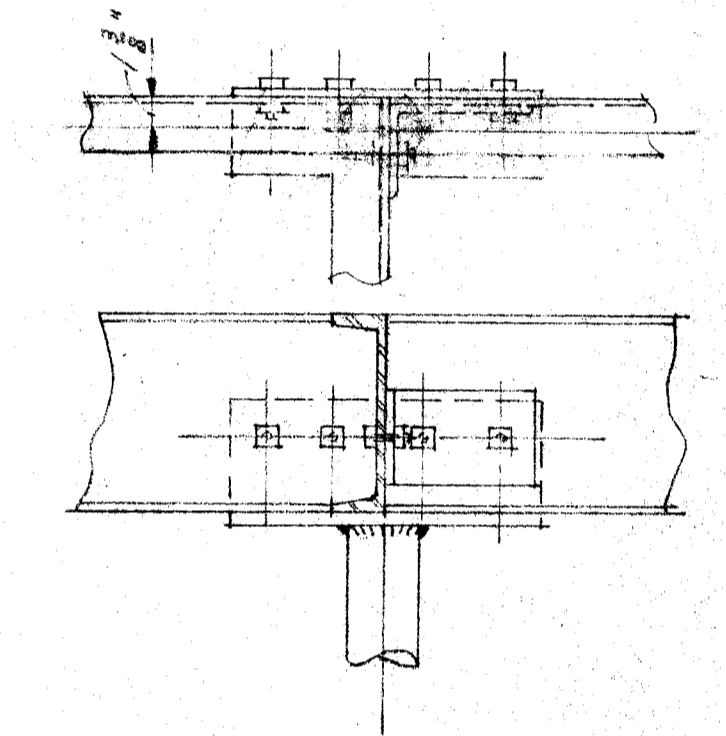
CONNECTION C-7

CONNECTION C-8

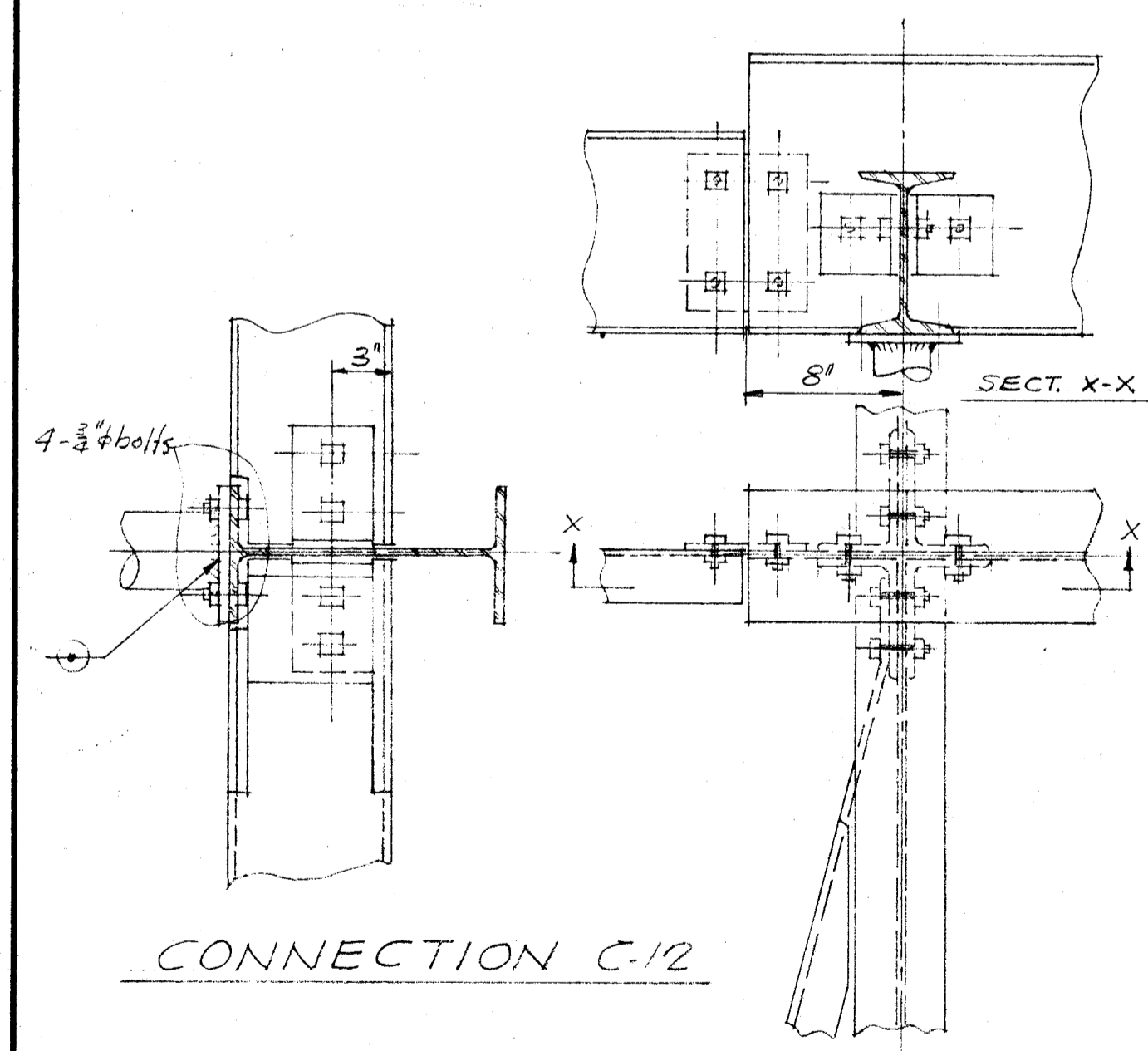
CONNECTION C-9



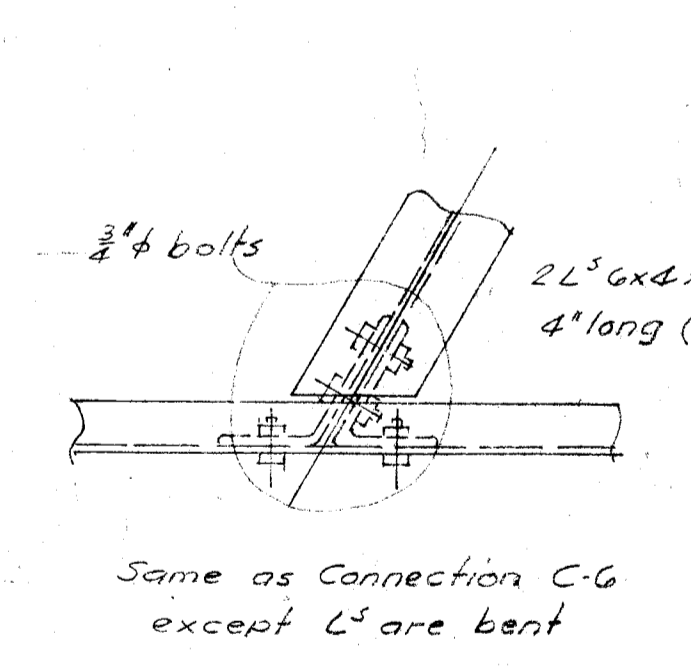
CONNECTION C-10



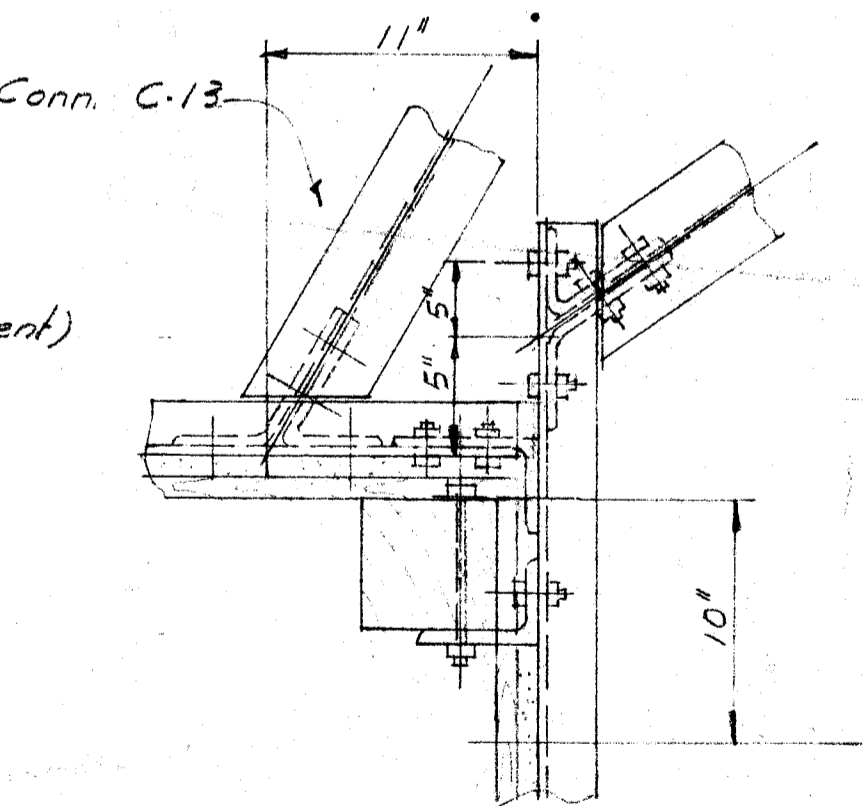
CONNECTION C-11



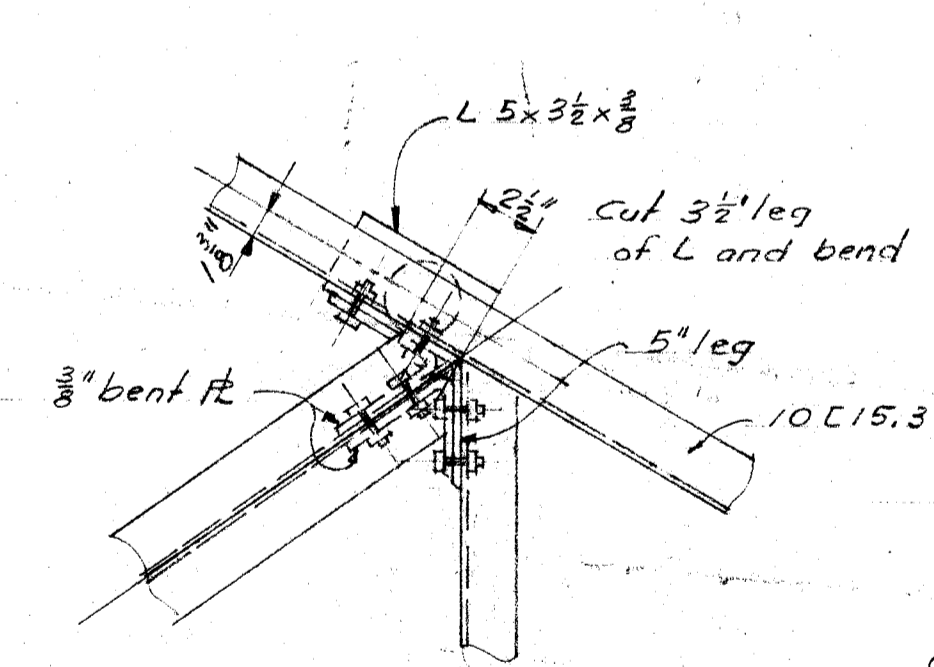
CONNECTION C-12



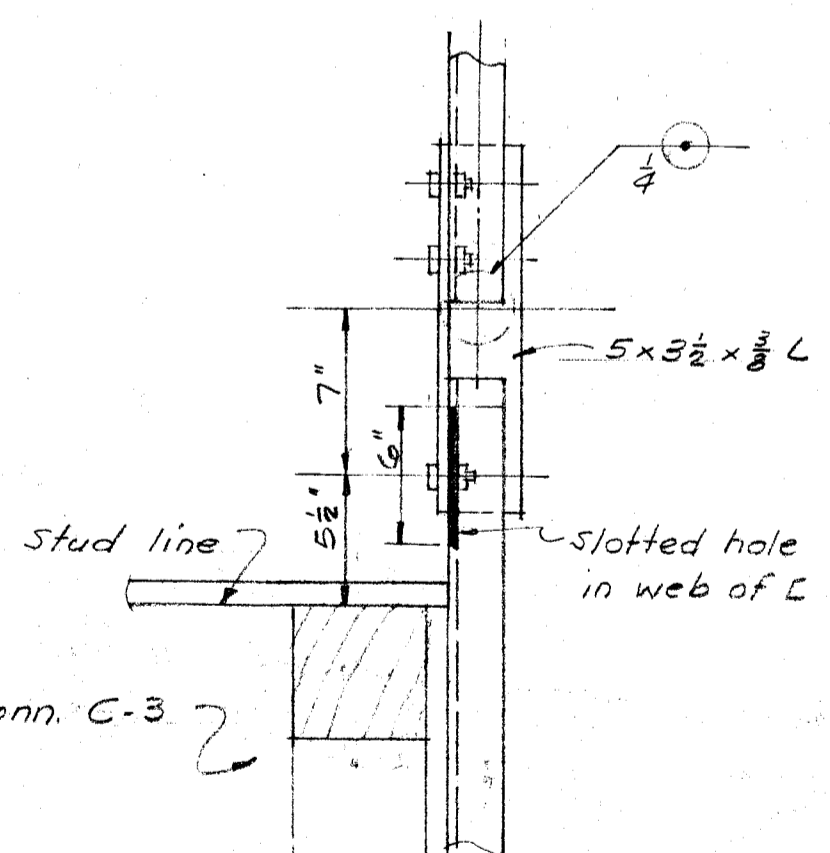
CONNECTION C-13



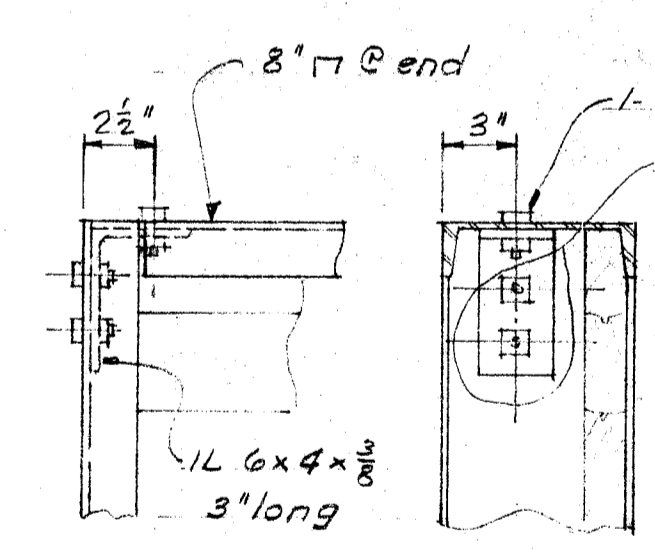
CONNECTION C-14



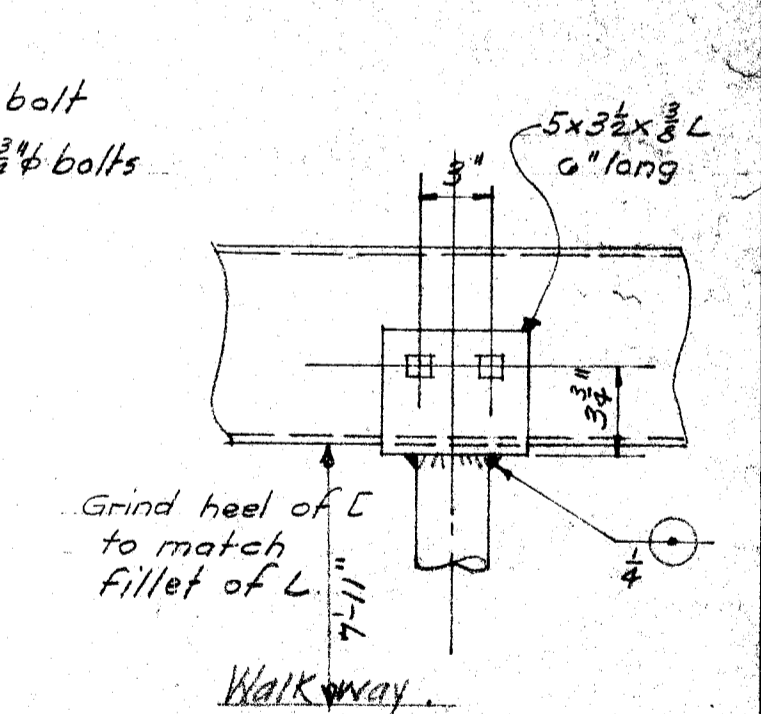
CONNECTION C-15



CONNECTION C-16



CONNECTION C-17



CONNECTION C-18

DETAILS OF CONNECTIONS

Scale 1/2" = 1'-0".
3/4" Bolts for all connections except as noted.

BOARD OF EDUCATION

Approved: *[Signature]*
PRES: *[Signature]*
SEC: *[Signature]*

CONNECTION DETAILS

COVERED PASSAGE

REAL ROAD SCHOOL

Harold B. Hammill
HAROLD B. HAMMILL
CONSULTING STRUCTURAL ENGINEER
REG. 42 STRUCTURAL 131
SAN FRANCISCO, CALIFORNIA

Whitney Biggar
WHITNEY BIGGAR ARCHITECT
MEMBER AMERICAN INSTITUTE OF ARCHITECTS
3601 STOCKDALE HIGHWAY
BAKERSFIELD, CALIFORNIA
29285 REGISTRATION C-1128

PROJECT NO:
DRAWN BY:
CHECKED BY:
DATE:
SHEET
OF 56 **S13**