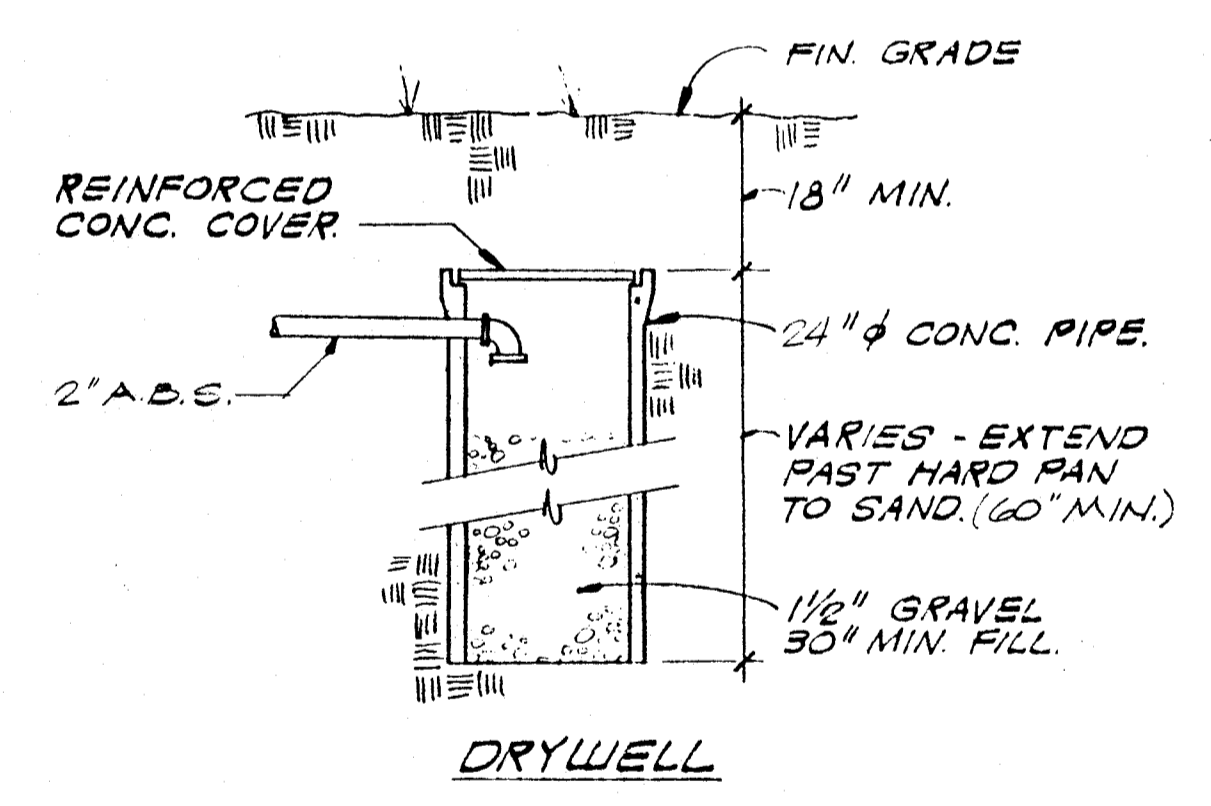
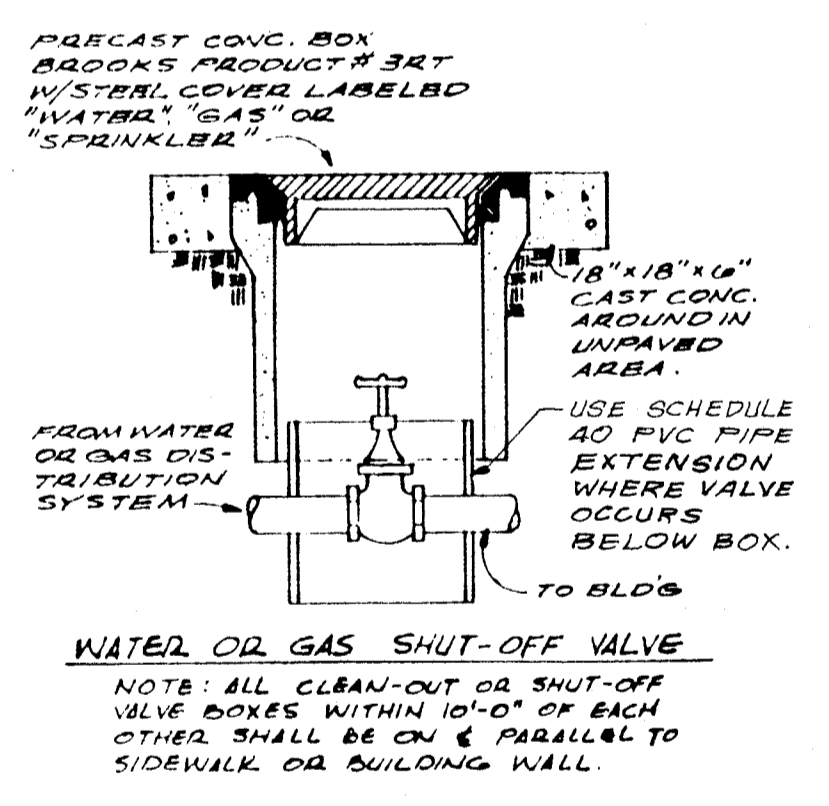


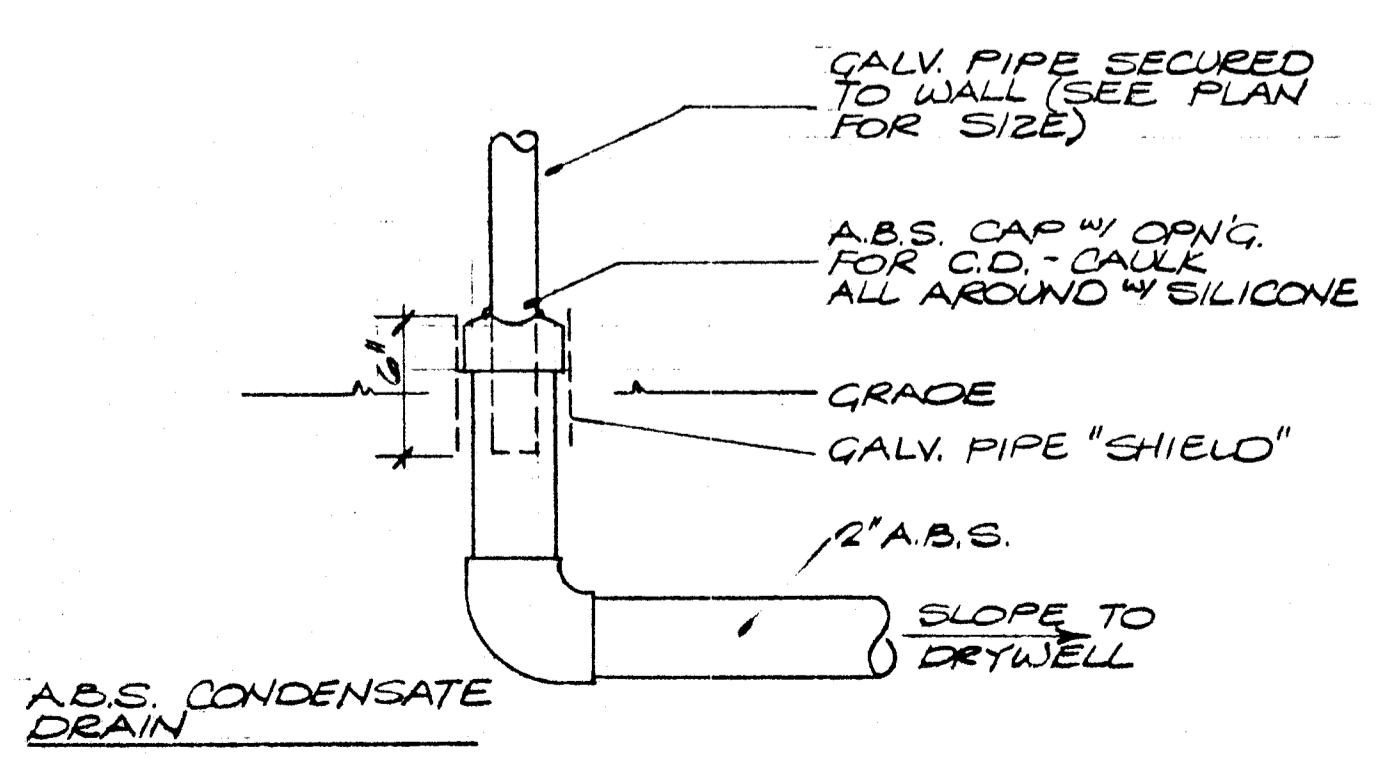
PLUMBING FLOOR PLAN UNIT B
SCALE: 1/8" = 1'-0"



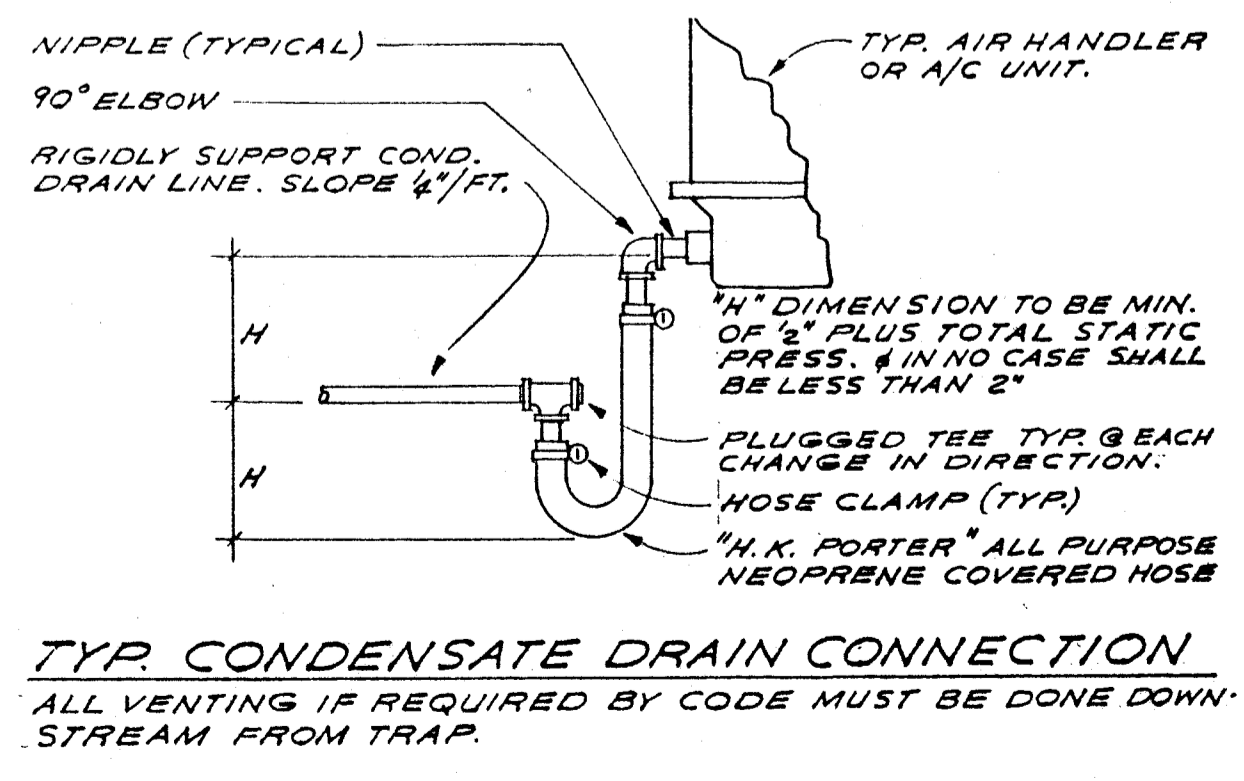
DETAIL A
NO SCALE P-3



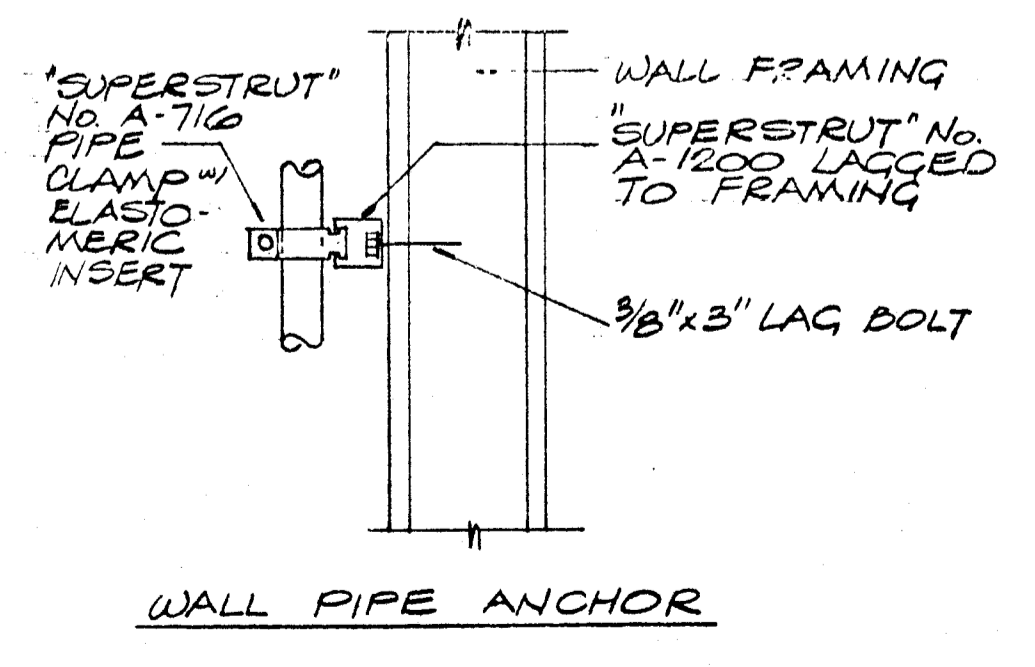
DETAIL B
NO SCALE P-3



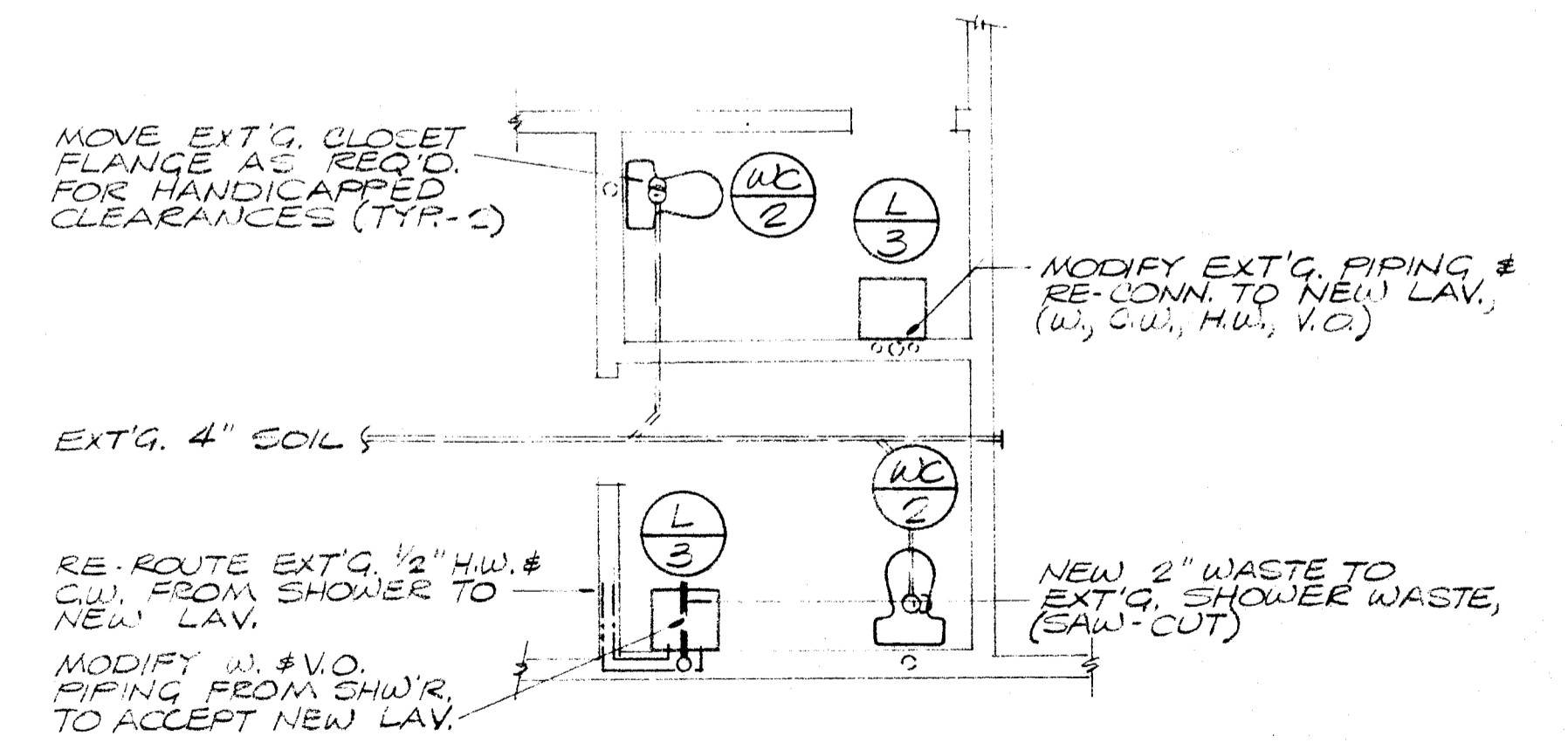
DETAIL C
NO SCALE P-3



DETAIL D
NO SCALE P-3



DETAIL E
NO SCALE P-3



PLUMBING FLOOR PLAN
SCALE: 1/4" = 1'-0" P-3