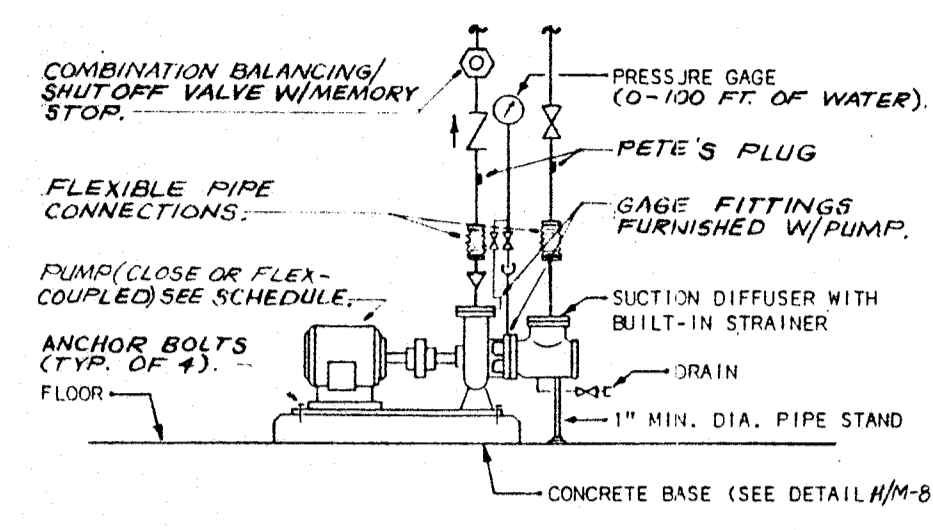
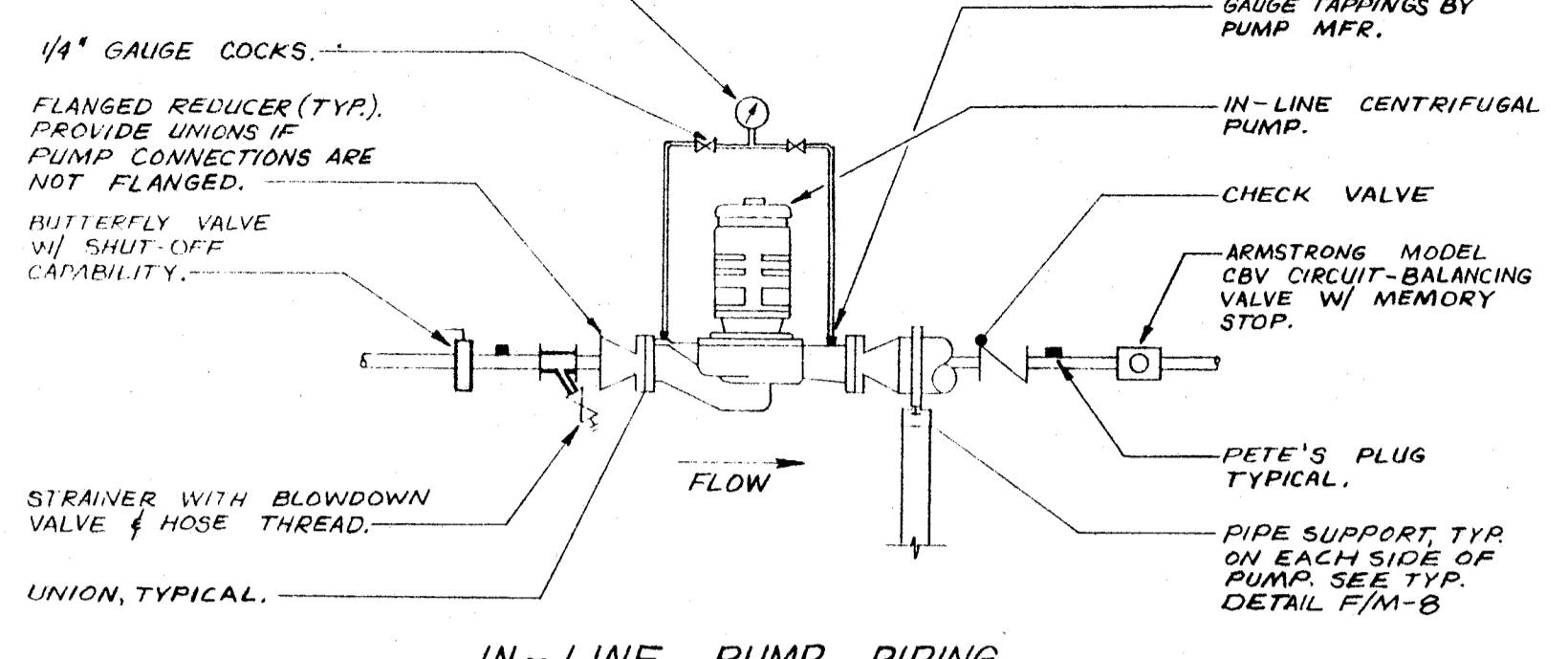


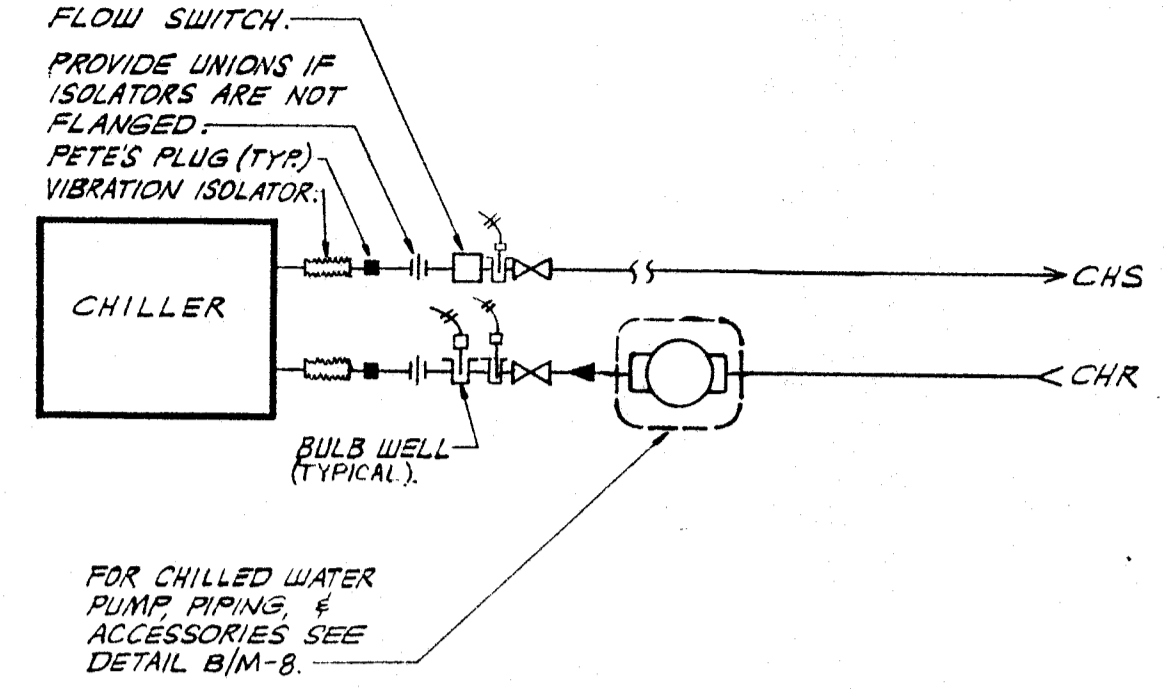
WEKSLER MODEL BM-1,  
3 1/2" PRESSURE (0-70' OF  
W.C.). GRADUATION UNITS  
'FEET OF WATER' SHALL  
APPEAR ON FACE OF GAUGE.  
SEE NOTE 1.



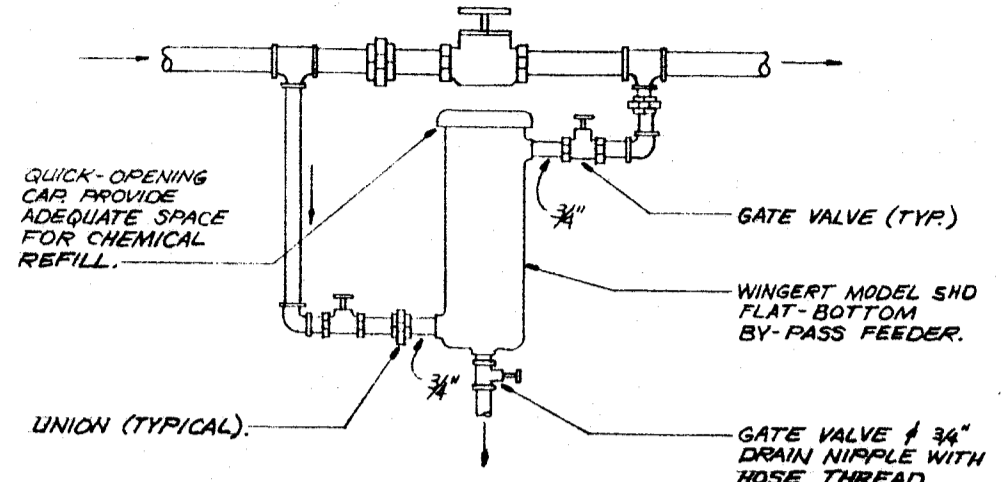
TYPICAL CONNECTIONS TO FLOOR MOUNTED SINGLE SUCTION WATER PUMPS  
**DETAIL**  
NO SCALE  
A  
M-8



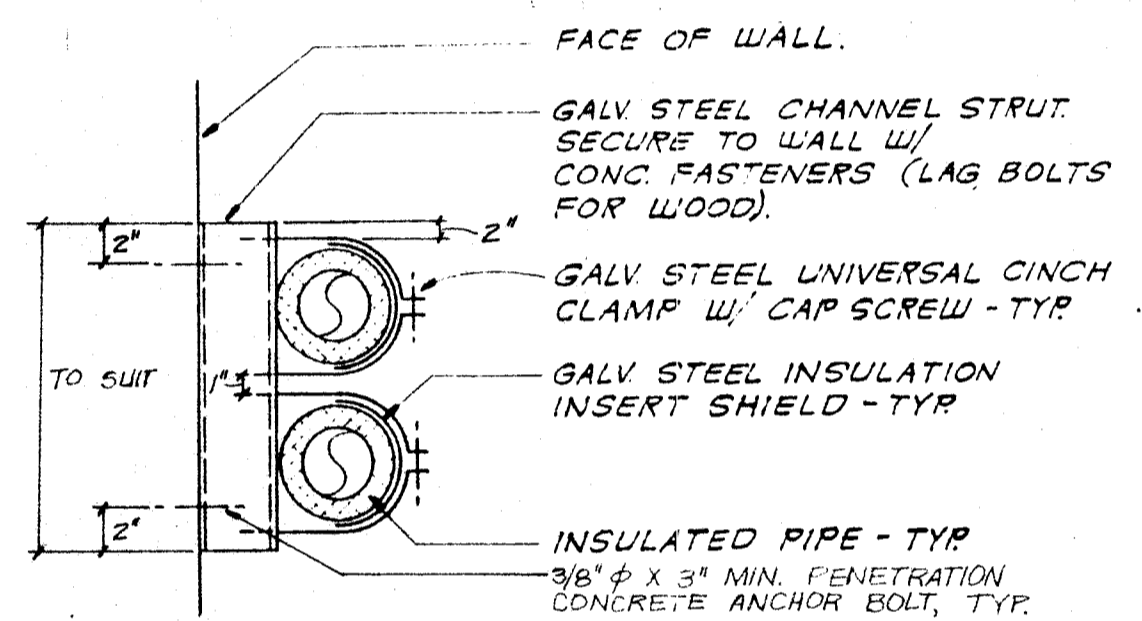
**IN-LINE PUMP PIPING**  
**DETAIL**  
NO SCALE  
B  
M-8  
NOTES:  
1. GAUGE & GAUGE PIPING SHALL BE OFFSET FROM PLANE OF PUMP SHAFT.



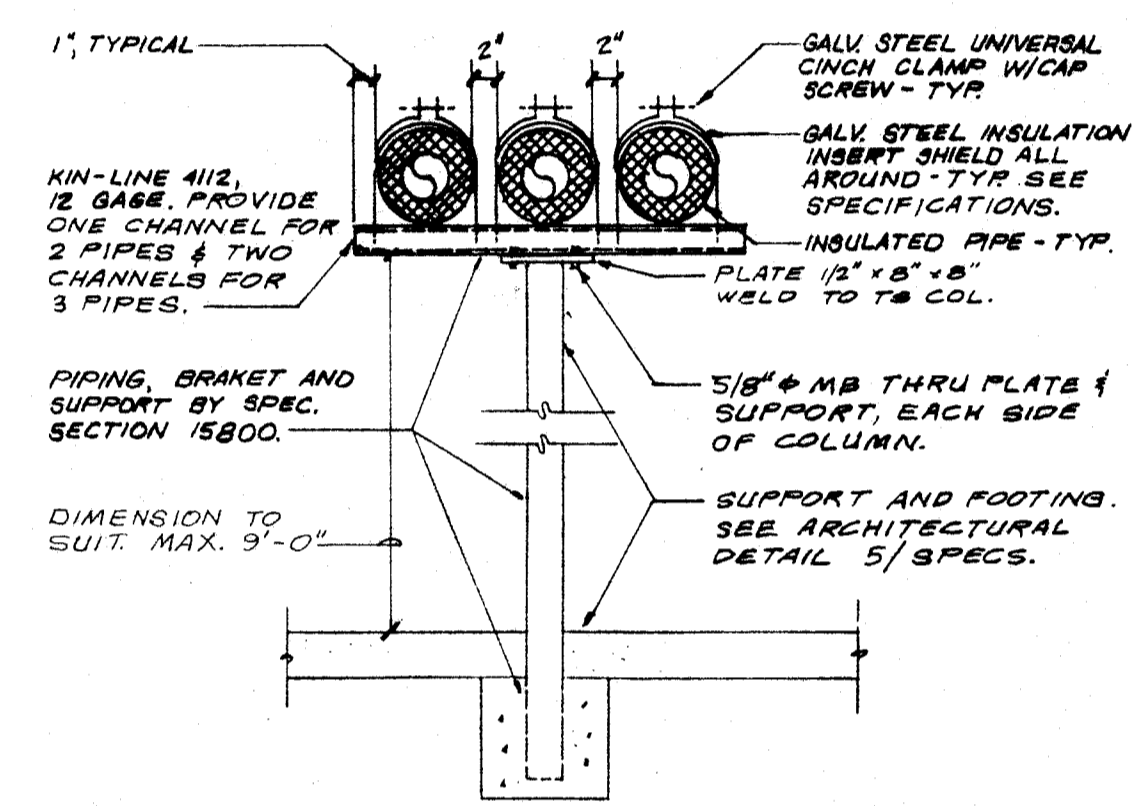
**CHILLED WATER PIPING DIAGRAM**  
**DETAIL**  
DIAGRAMMATIC  
C  
M-8



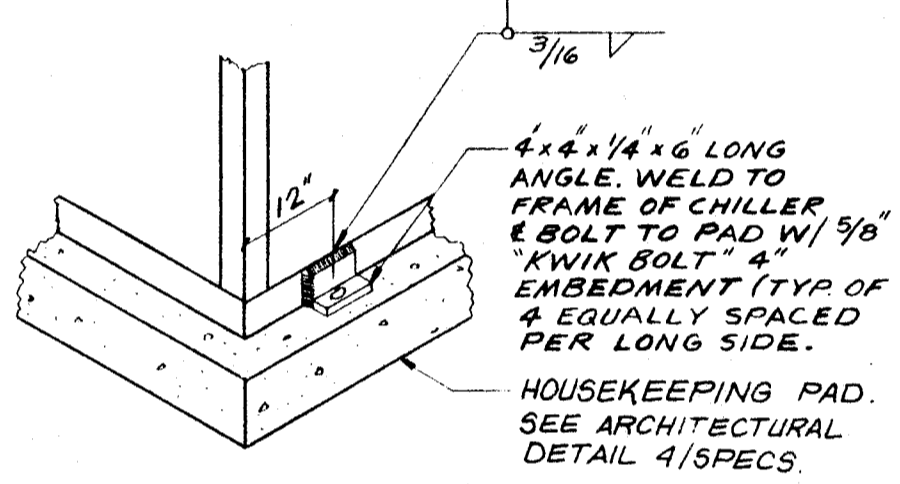
**CHEMICAL FEEDER CONNECTIONS**  
**DETAIL**  
NO SCALE  
D  
M-8



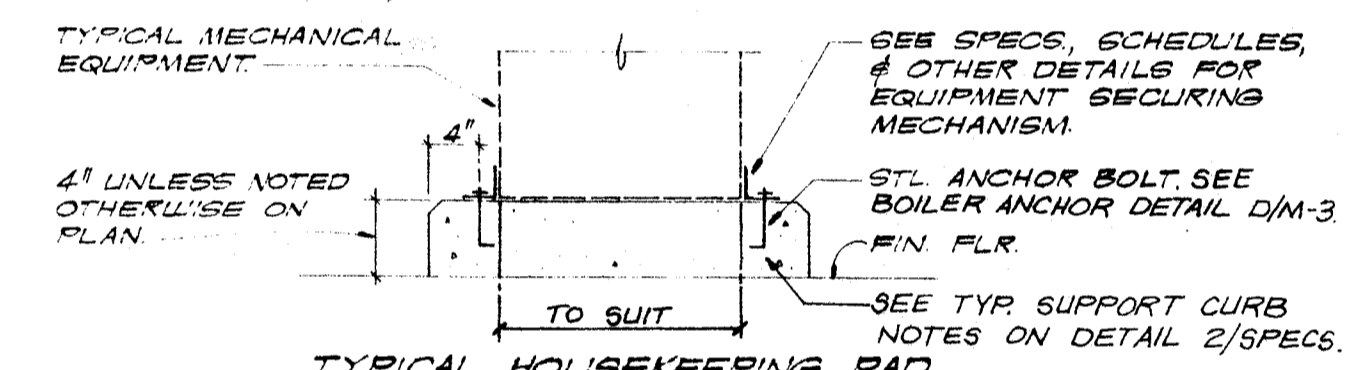
**VERTICAL PIPE GUIDE**  
**DETAIL**  
NO SCALE  
NOTE:  
E  
M-8



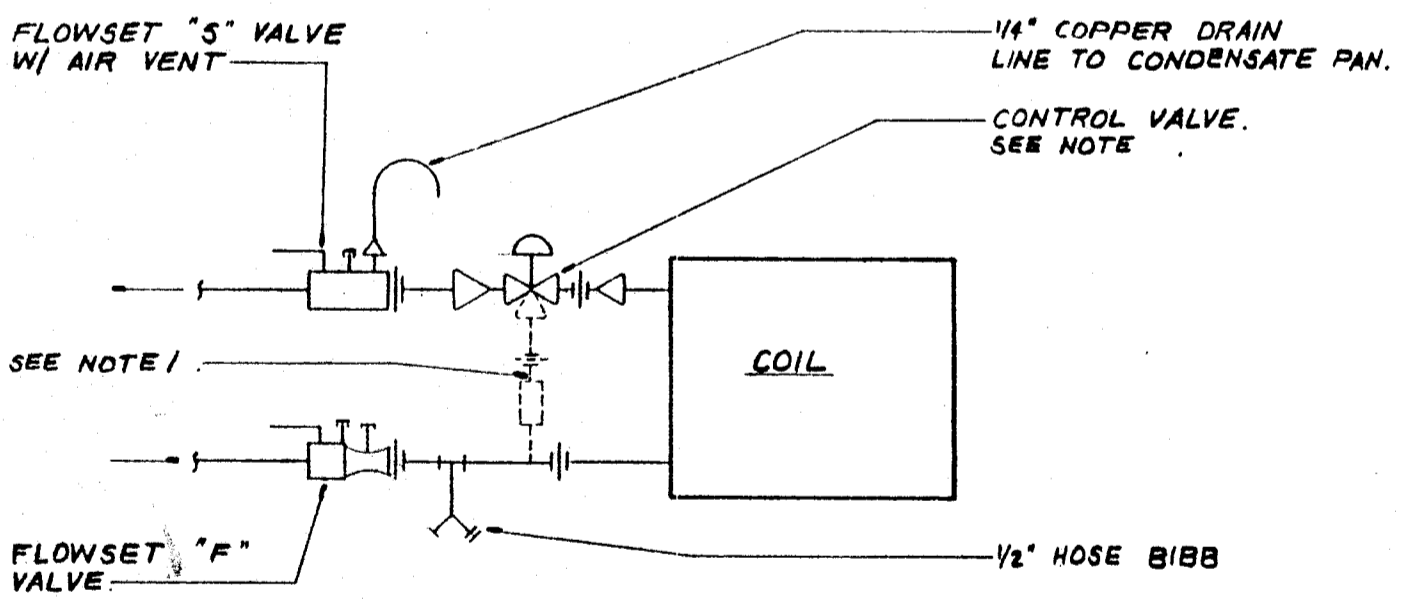
**PIPE SUPPORT**  
**DETAIL**  
NO SCALE  
F  
M-8



**CHILLER ANCHORAGE**  
**DETAIL**  
NO SCALE  
G  
M-8

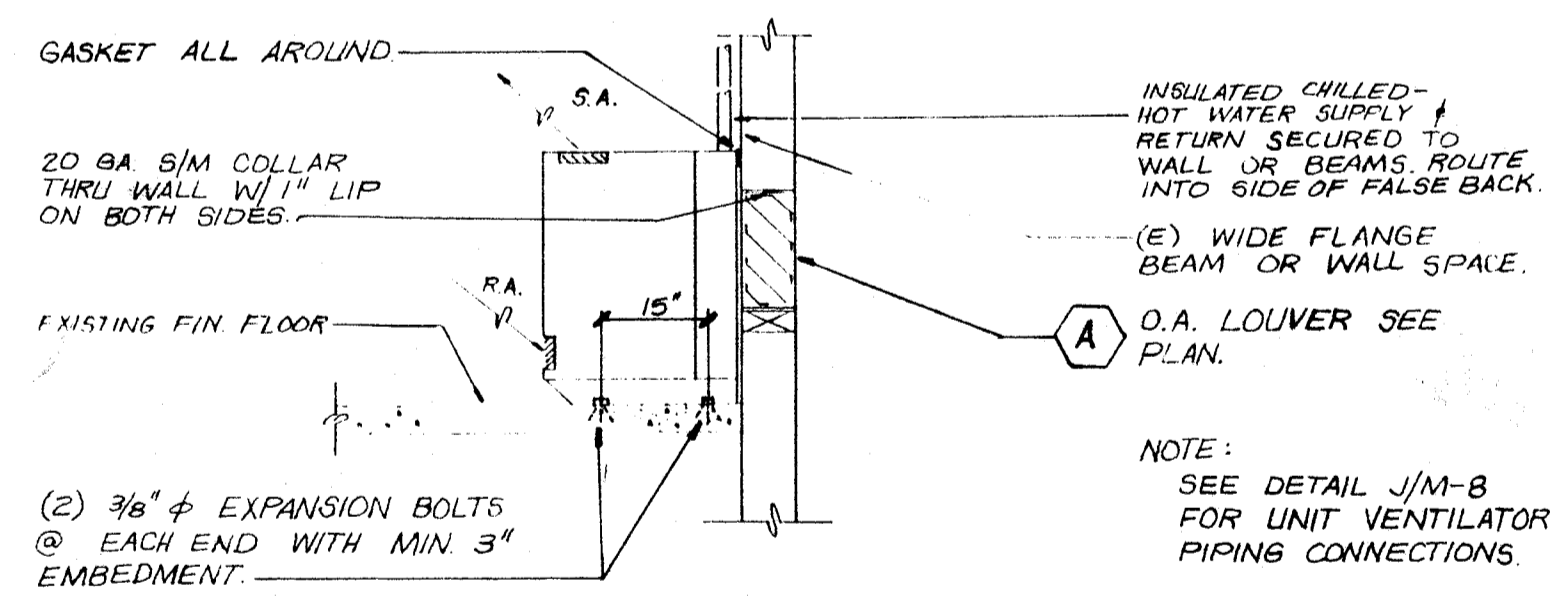


**TYPICAL HOUSEKEEPING PAD**  
**DETAIL**  
NO SCALE  
H  
M-8

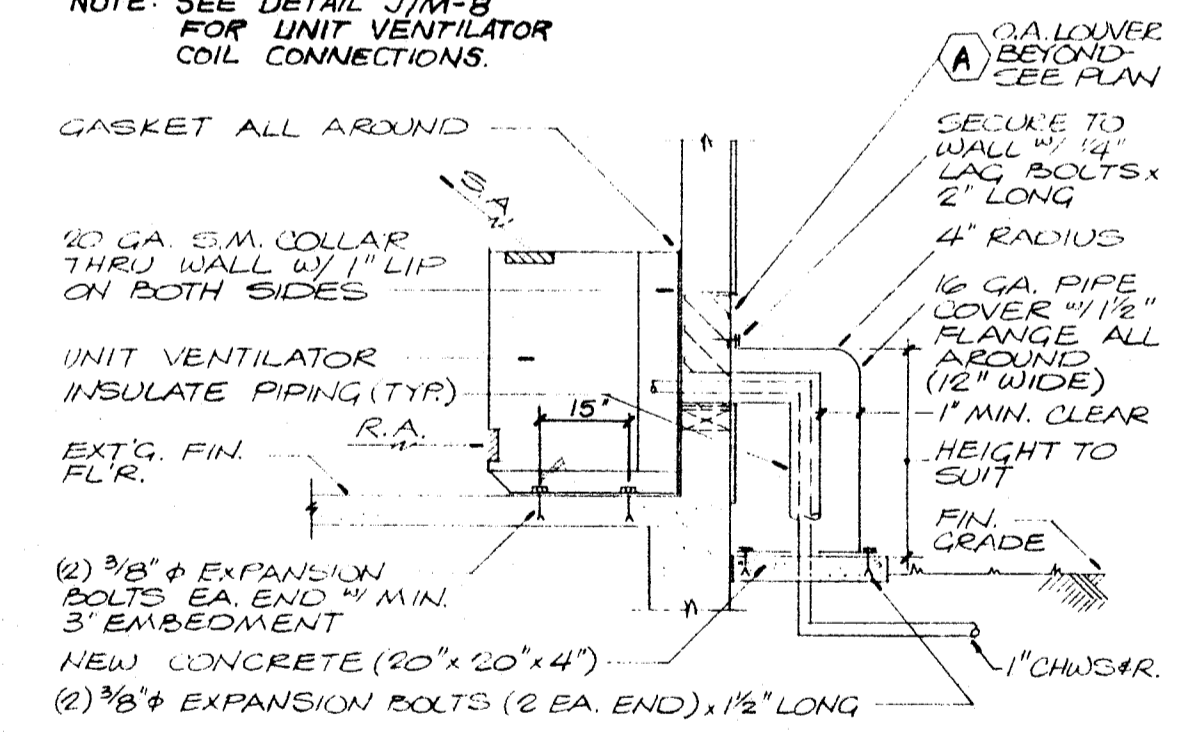


**UNIT VENTILATOR & FAN COIL PIPING CONNECTIONS**  
**DETAIL**  
DIAGRAMMATIC  
PIPING INSTALLATION NOTES  
J  
M-8

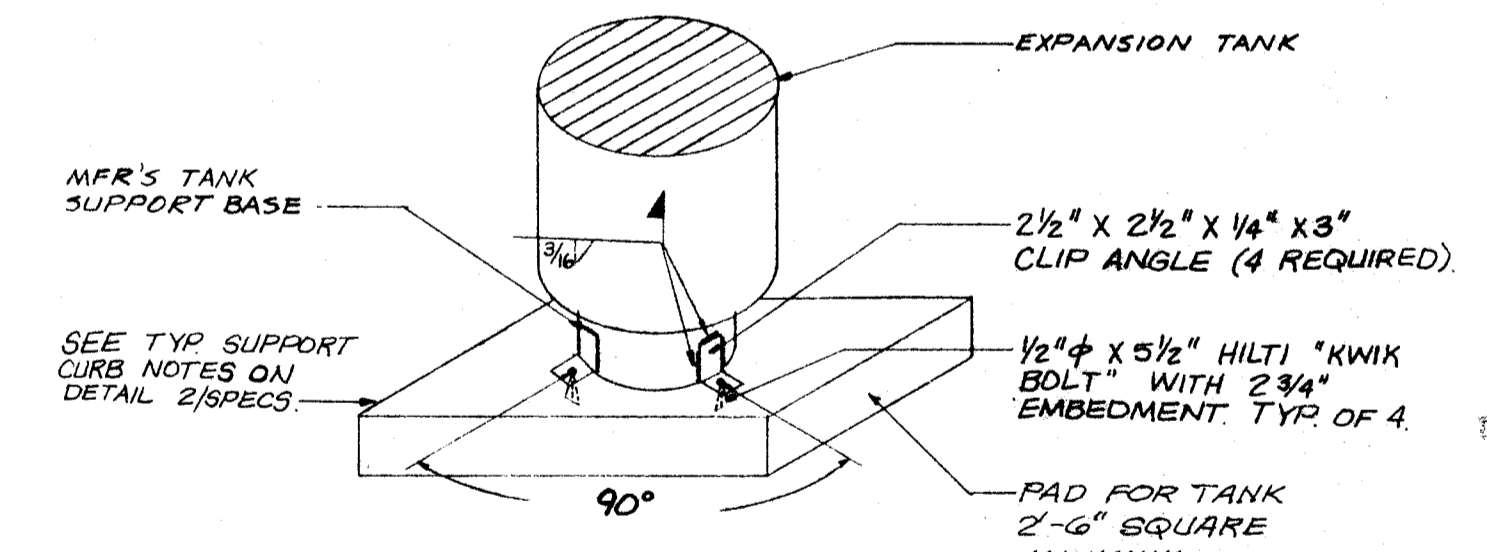
- 3/4" BYPASS LINE REQUIRED ONLY ON DESIGNATED UNIT VENTILATORS WITH 3-WAY VALVES; SEE PLAN FOR LOCATION. PROVIDE A UNION AND A 3/4" GRISHOLD FLOW CONTROL VALVE (2-32 PSI RANGE) IN BYPASS LINE SELECTED AT 2/3 OF UNIT COOLING WATER FLOW.
- TEMPERATURE CONTROL VALVE IS FURNISHED UNDER SPECIFICATION SECTION 15900 AND INSTALLED UNDER SPECIFICATION SECTION 15800.
- "FLOWSET" VALVES ARE LINE SIZE UNLESS OTHERWISE NOTED. PROVIDE REDUCERS WHERE REQUIRED.



**(TOP FEED) SECTION THRU UNIT VENTILATOR**  
**DETAIL**  
NO SCALE  
K  
M-8  
NOTE: SEE DETAIL J/M-8 FOR UNIT VENTILATOR COIL CONNECTIONS.



**EXPANSION TANK MOUNTING**  
**DETAIL**  
NO SCALE  
L  
M-8  
SUBMIT PIPE COVER SHOP DWG. PRIOR TO FABRICATION  
CAULK AROUND PIPE COVER WATERTIGHT W/ CLEAR SILICONE  
FAN COIL DETAILS SIMILAR TO ABOVE.



**EXPANSION TANK MOUNTING**  
**DETAIL**  
NO SCALE  
M  
M-8

TITLE 24 & 1574 DEC

B/L/L