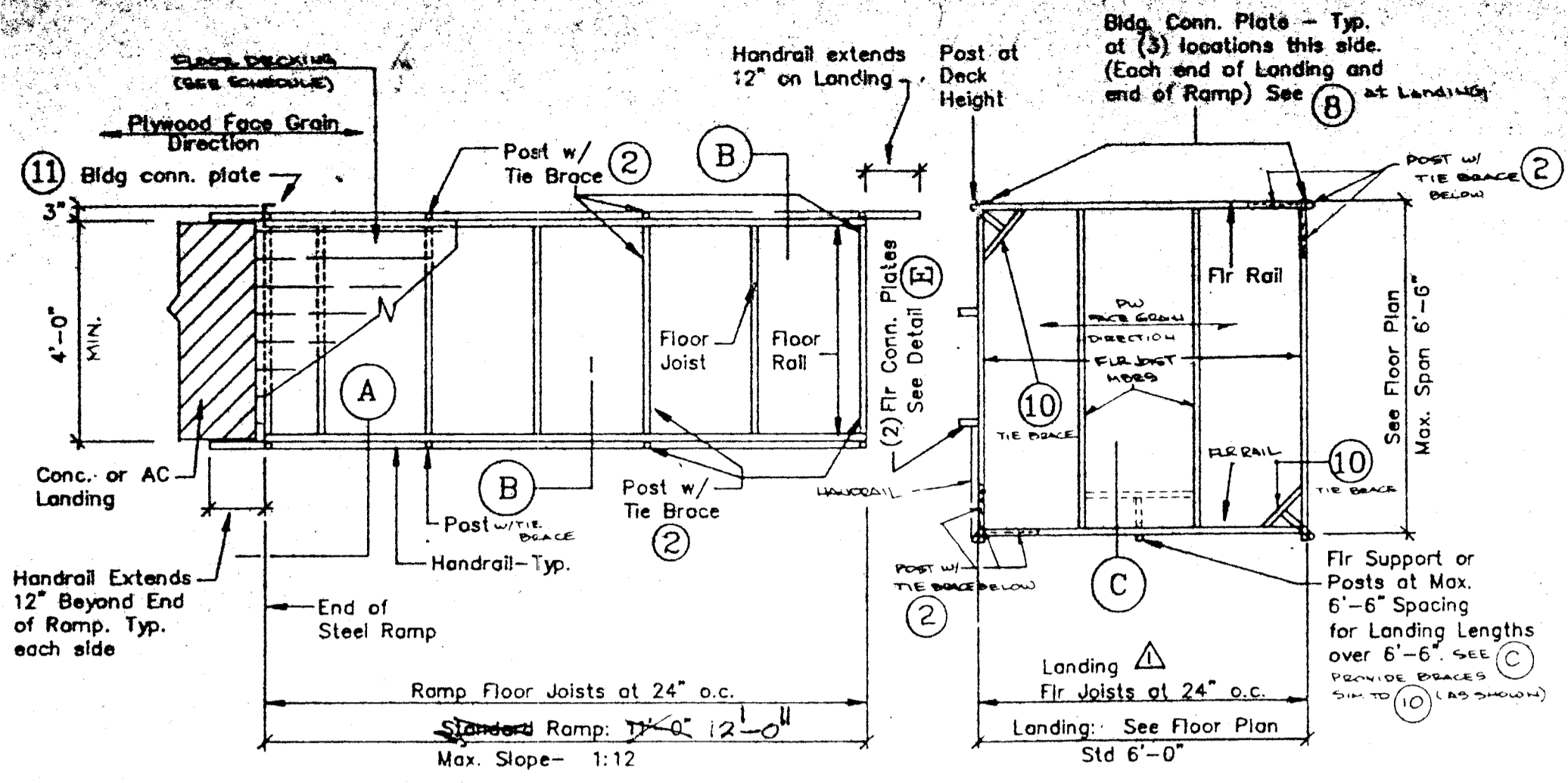


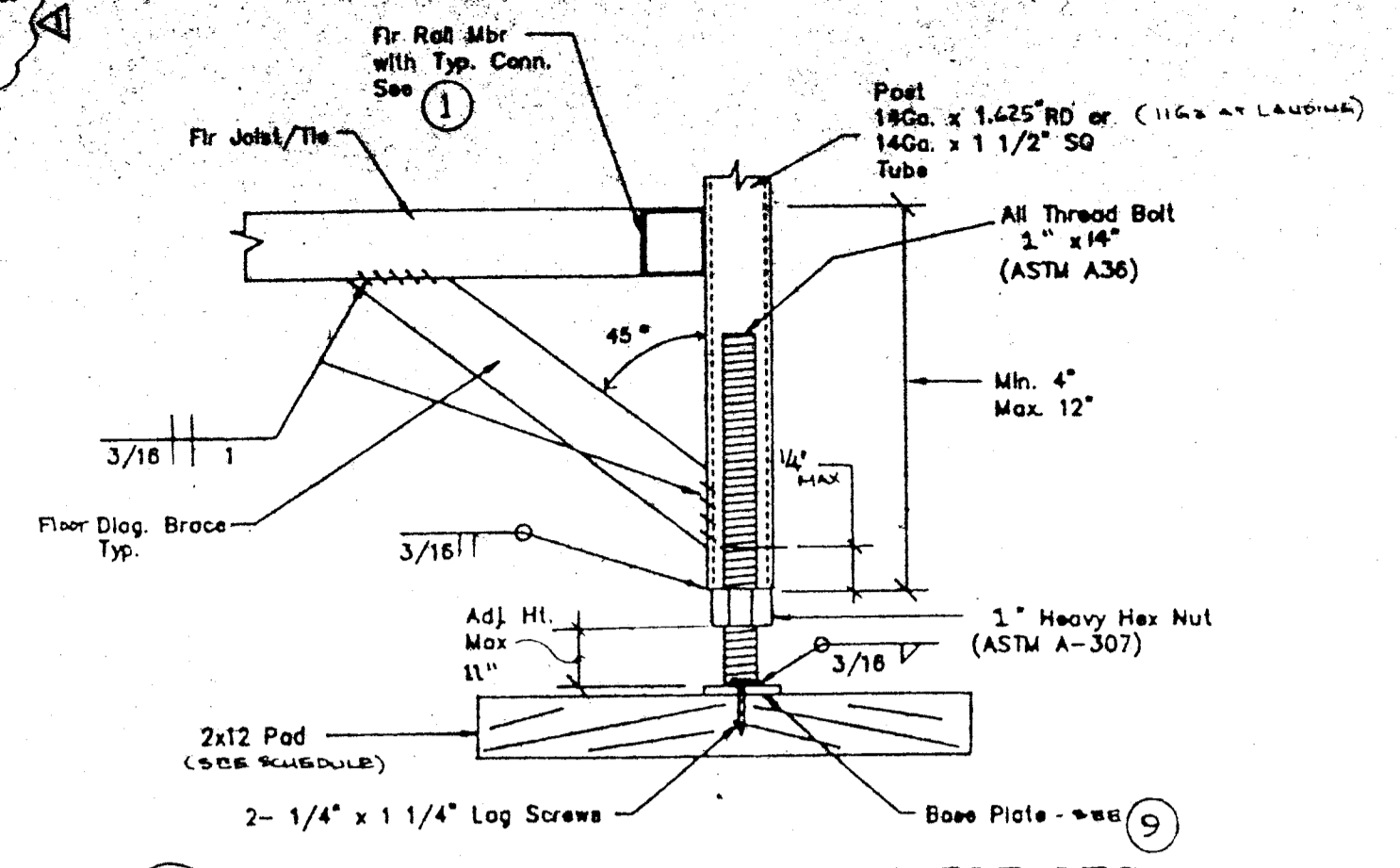
SCHEDULE (4/89)



PLAN VIEW - RAMP AND LANDING
DTS4PVR Scale: 3/8"=1'-0"

1 FLOOR CONNECTION TYPICAL
Scale: 3/4"=1'-0"

Ramp Tests and Inspections:
1. Welding Inspection: Visual inspection by O.S.A. Plant Inspector of all welds. All welders shall be fully certified to A.W.S. standards.
2. Tests of Structural Steel: Provide test reports covering all members utilized which verify the required yield point, elongation and other physical properties required for the A.S.T.M. designation specified.



2 FLOOR BRACE AND ADJUSTABLE LEG AT RAMP/LANDING POST
Scale: 3/4"=1'-0"

STEEL MEMBERS - RAMP AND LANDING

Round (Rd) Tube:	14 Ga - Wall Thk = .075" - ASTM-A500 Grade B
Square (Sq) Tube:	10 Ga - Wall Thk = .135" - ASTM-A500 Grade B
	11 Ga - Wall Thk = .120" - ASTM-A500 Grade B
	14 Ga - Wall Thk = .075" - ASTM-A500 Grade B
	3/16" - Wall Thk = .1875" - ASTM-A500 Grade B

Handrails: 14 Ga x 1.625" Rd Tube (Alt. 14 Ga x 1-1/2" Sq at posts, only)

Wheel Stops: 14 Ga x 1.625" Rd or 14 Ga x 1-1/4" Sq Tube

Ramp Floor Joists: 11 Ga x 1-1/2" Sq Tube (Max. Span 4'-0")

Ramp Floor Rails: 11 Ga x 1-1/2" Sq Tube (Max. Span 4'-0")

Landing Floor Joists: 10 Ga x 2-1/2" Sq Tube (Max. Span 6'-6")

Landing Floor Rails: 3/16" x 2-1/2" Sq Tube (Max. Span 6'-6")

Floor Supports: 11 Ga x 1-1/2" Sq or 14 Ga x 1-1/4" Sq Tube

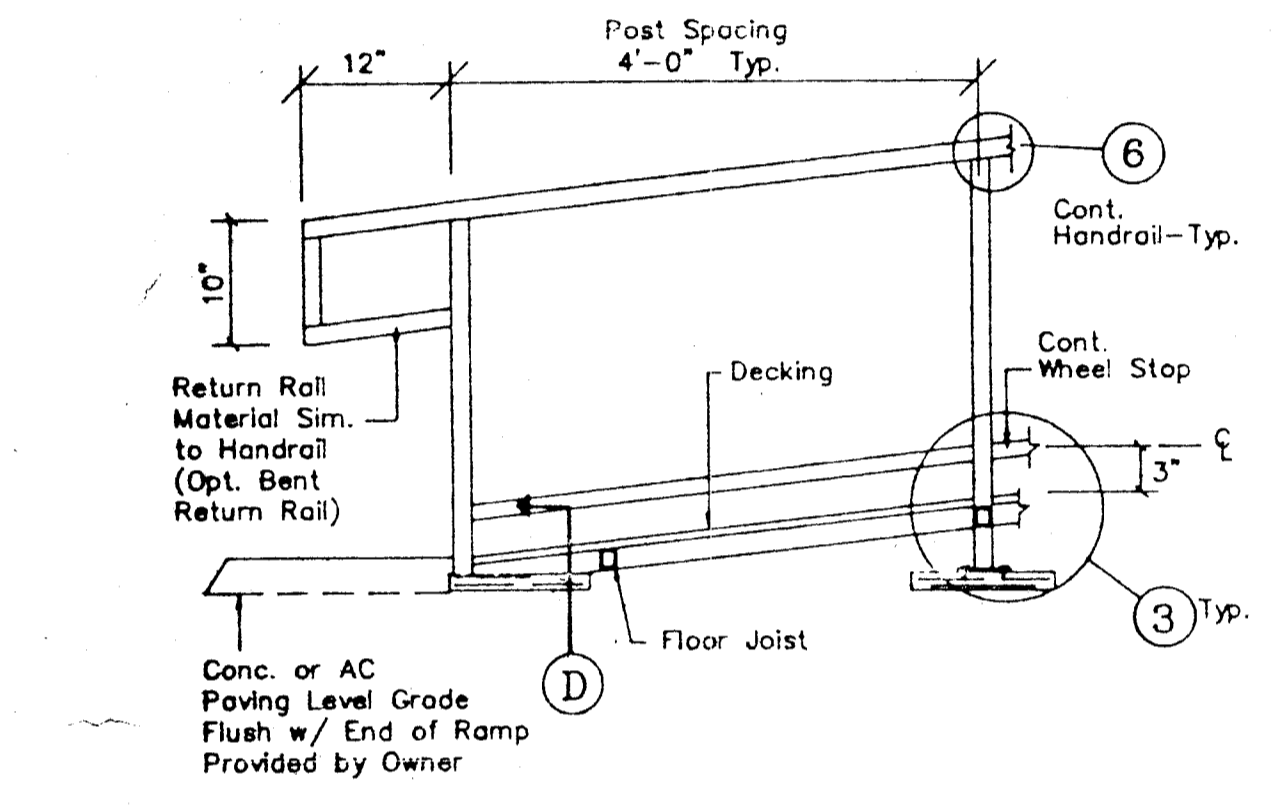
Floor Diag. Bracing: 14 Ga x 1-1/4" Sq Tube

Posts: 14 Ga x 1.625" Rd Tube or 14 Ga x 1-1/2" Sq Tube, Max 48" o.c. at Ramp
11 Ga x 1.625" Rd Tube or 11 Ga x 1-1/2" Sq Tube, Max 6'-6" o.c. at Landing

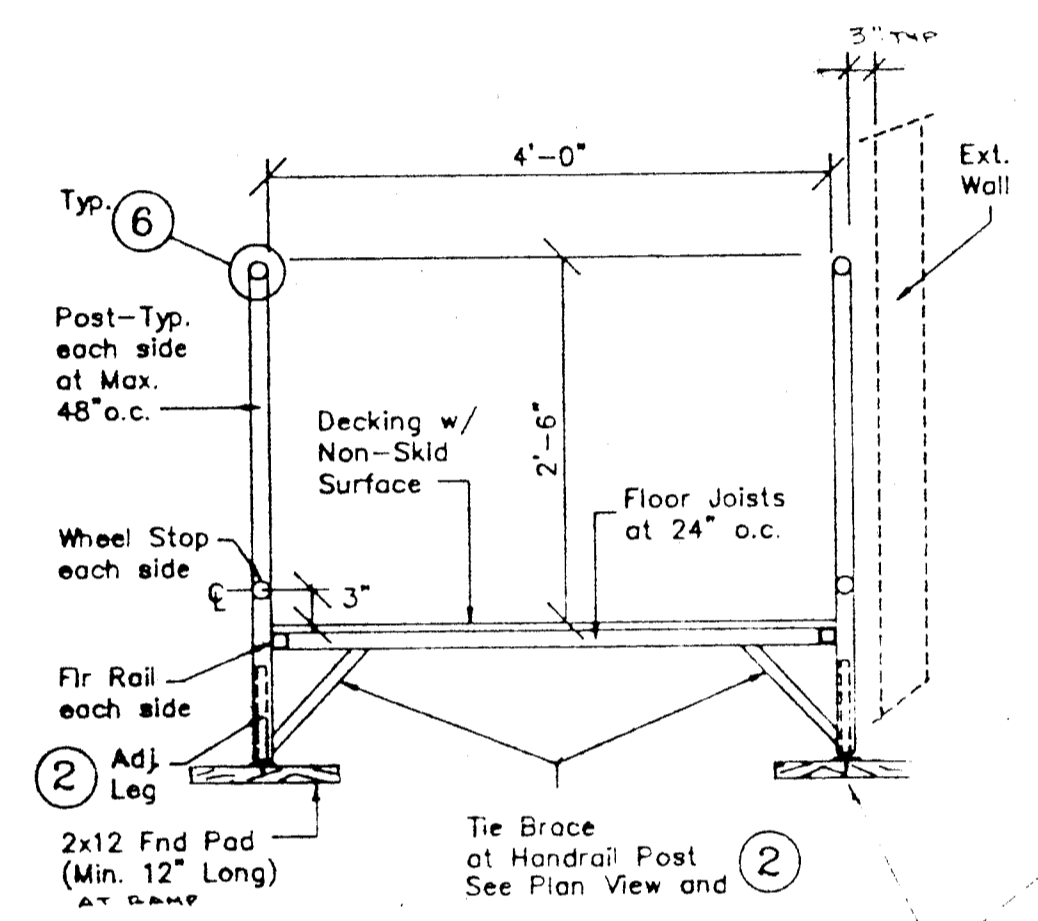
Connection Plates: Flat H.R. Steel, Min. 1/8" Thick - ASTM-A36

Welds: Ramp, Landing and/or Steps - See Details

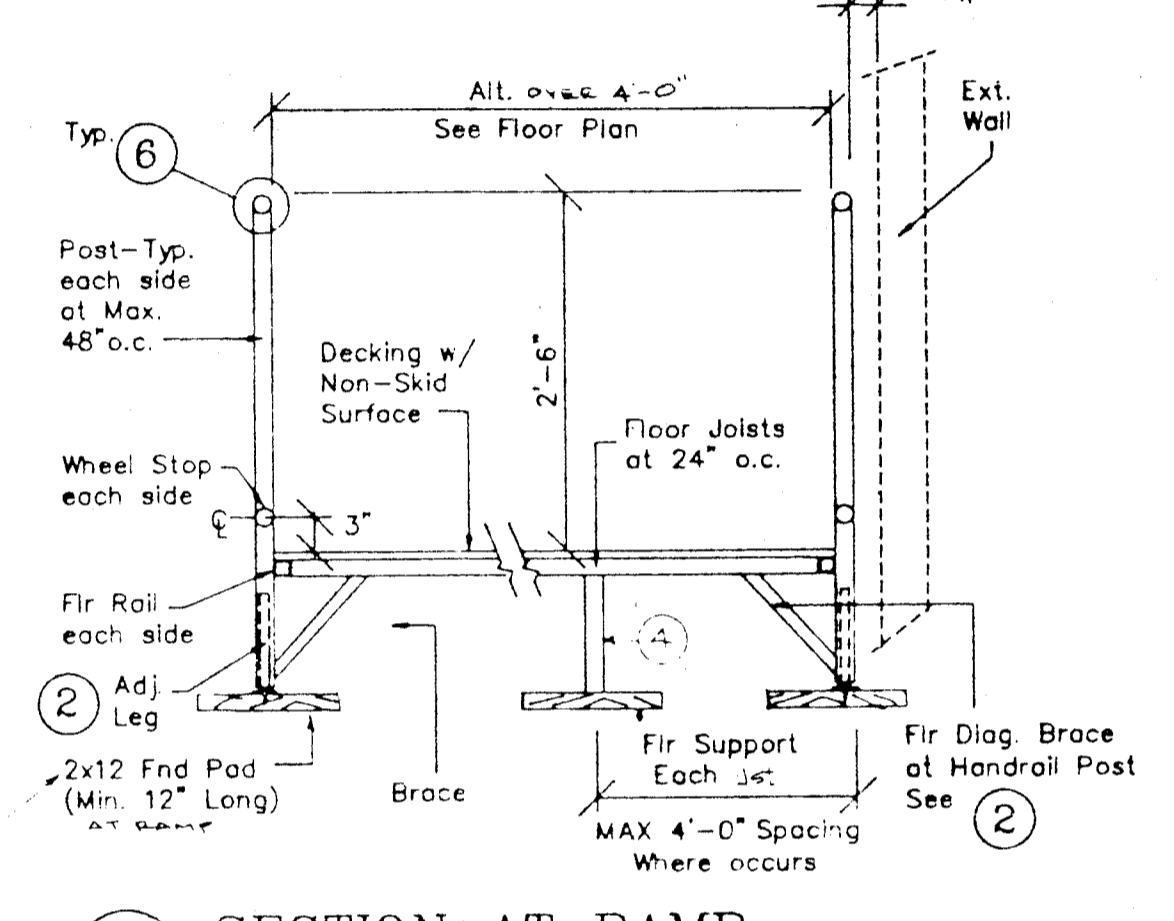
Foundation Pads: 2 x 12 x 12" P.T. Df#2 for Ramp
2 x 12 x 30" P.T. Df#2 for Landing



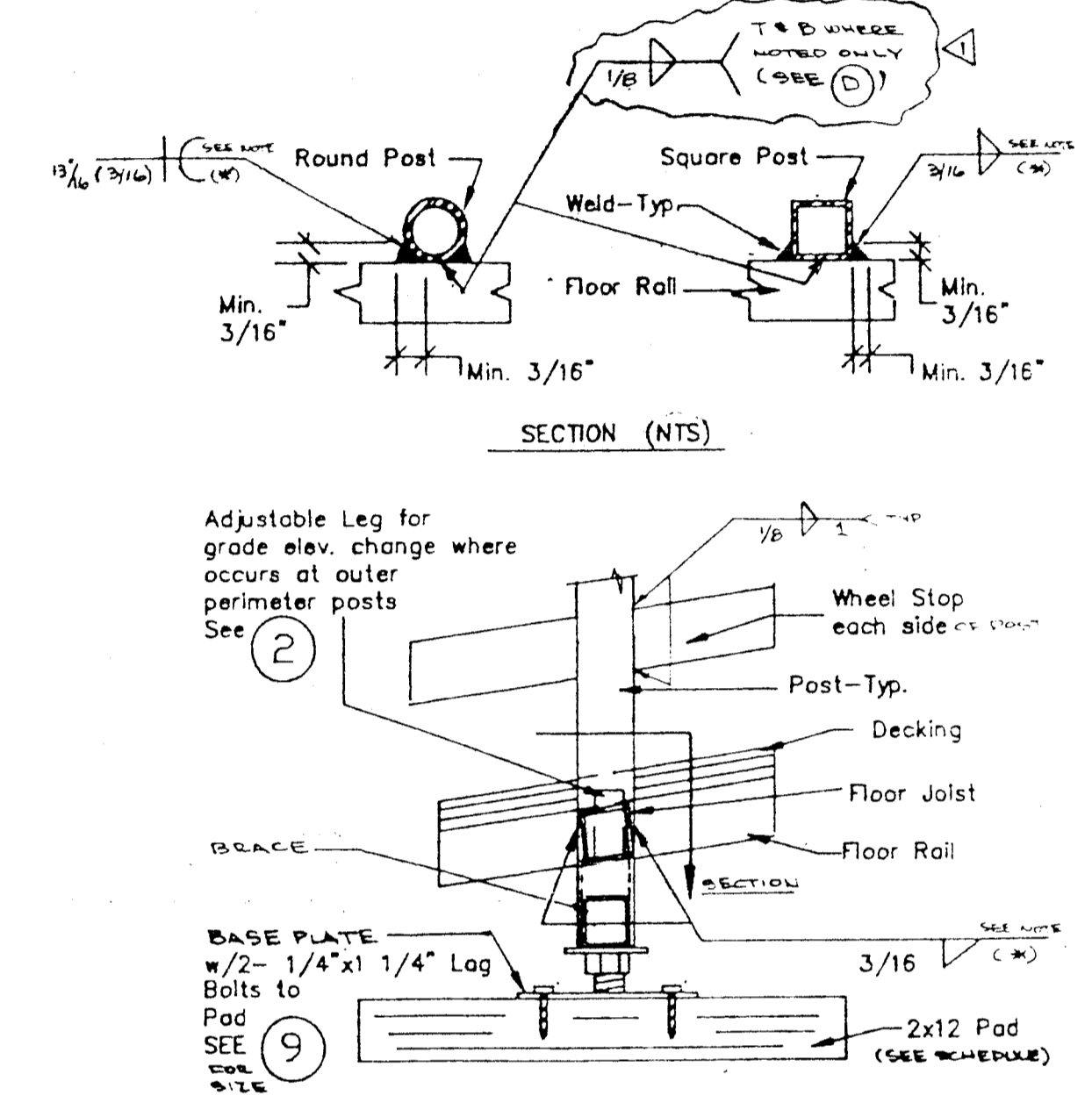
A RAMP HANDRAIL/POST
DTS40A Scale: 3/4"=1'-0"



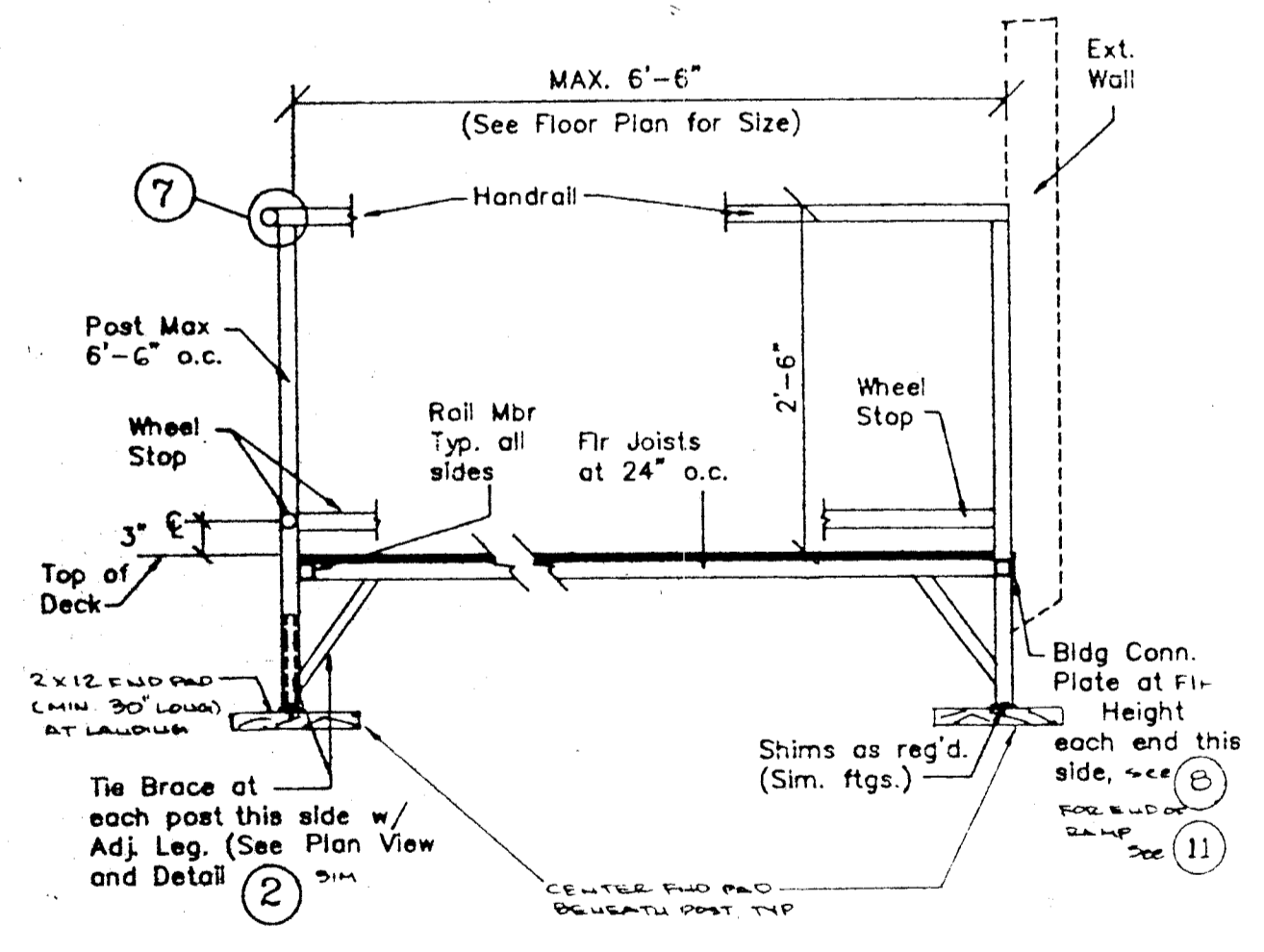
B SECTION AT RAMP
Scale: 3/4"=1'-0"



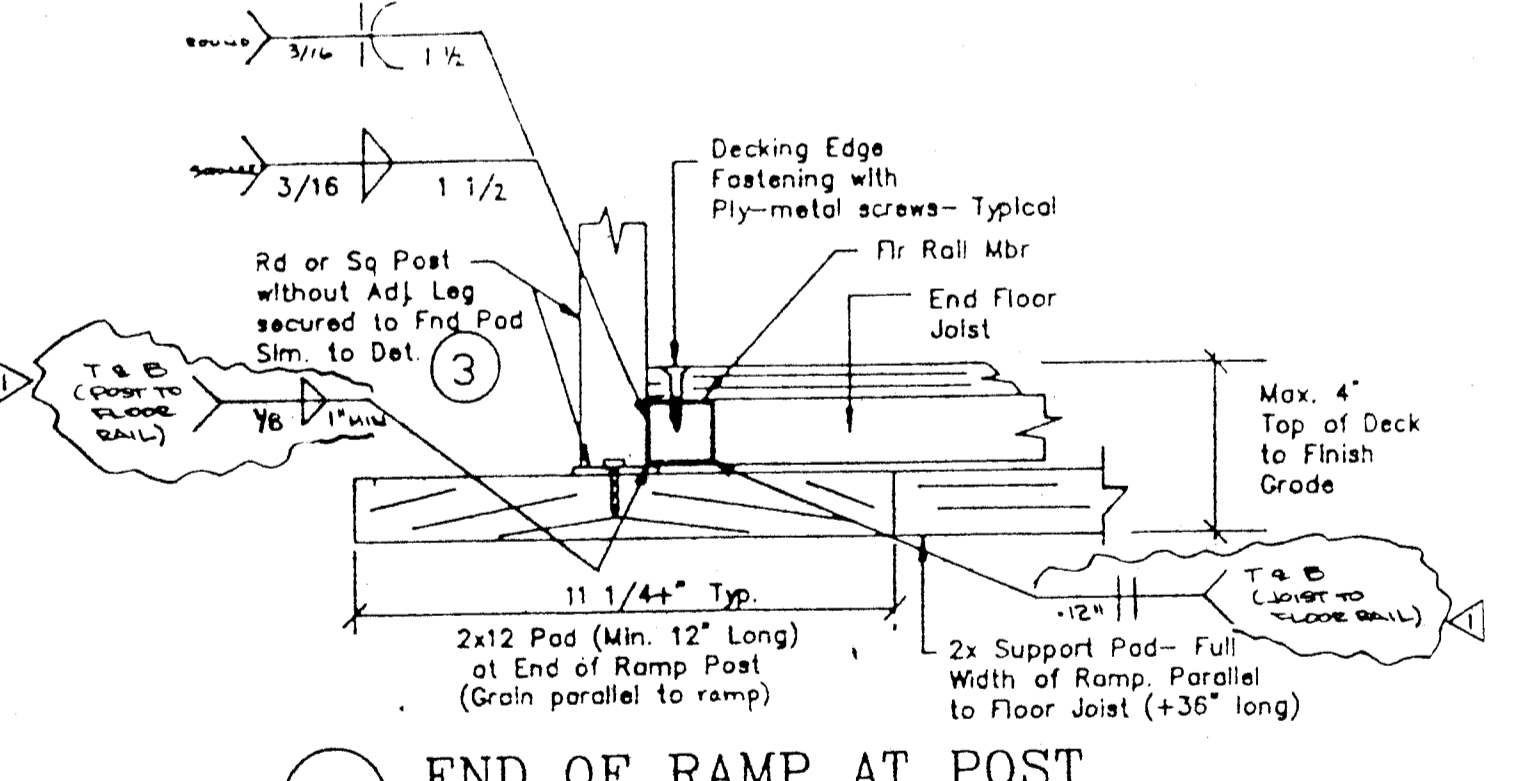
ALT B SECTION AT RAMP (ALTERNATE)
DTS40BA Scale: 3/4"=1'-0"



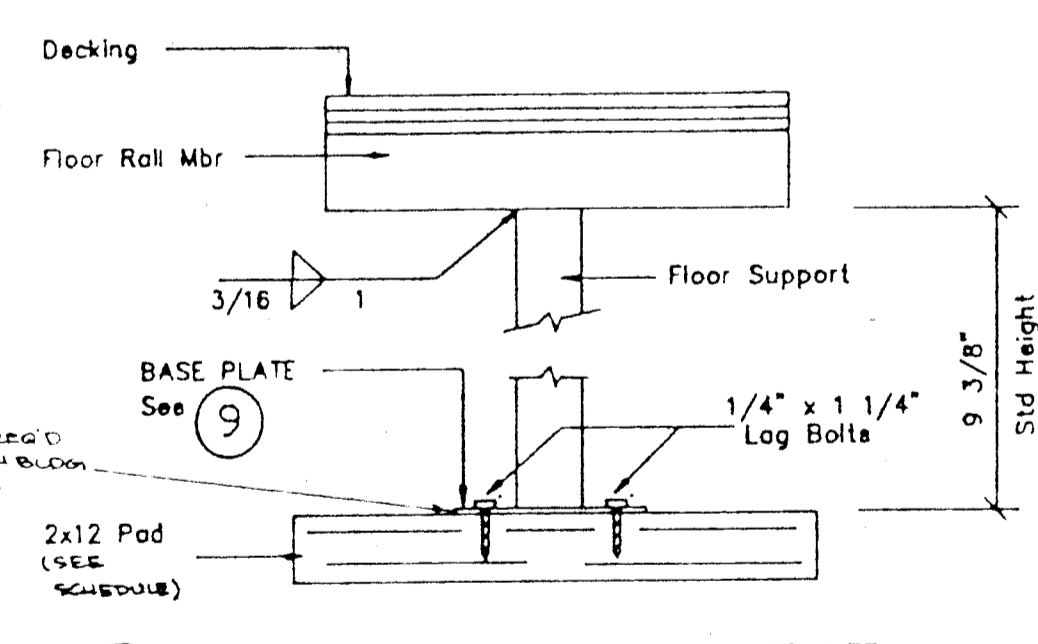
3 POST TO FLOOR - TYP.
DTS40C Scale: 3/4"=1'-0"



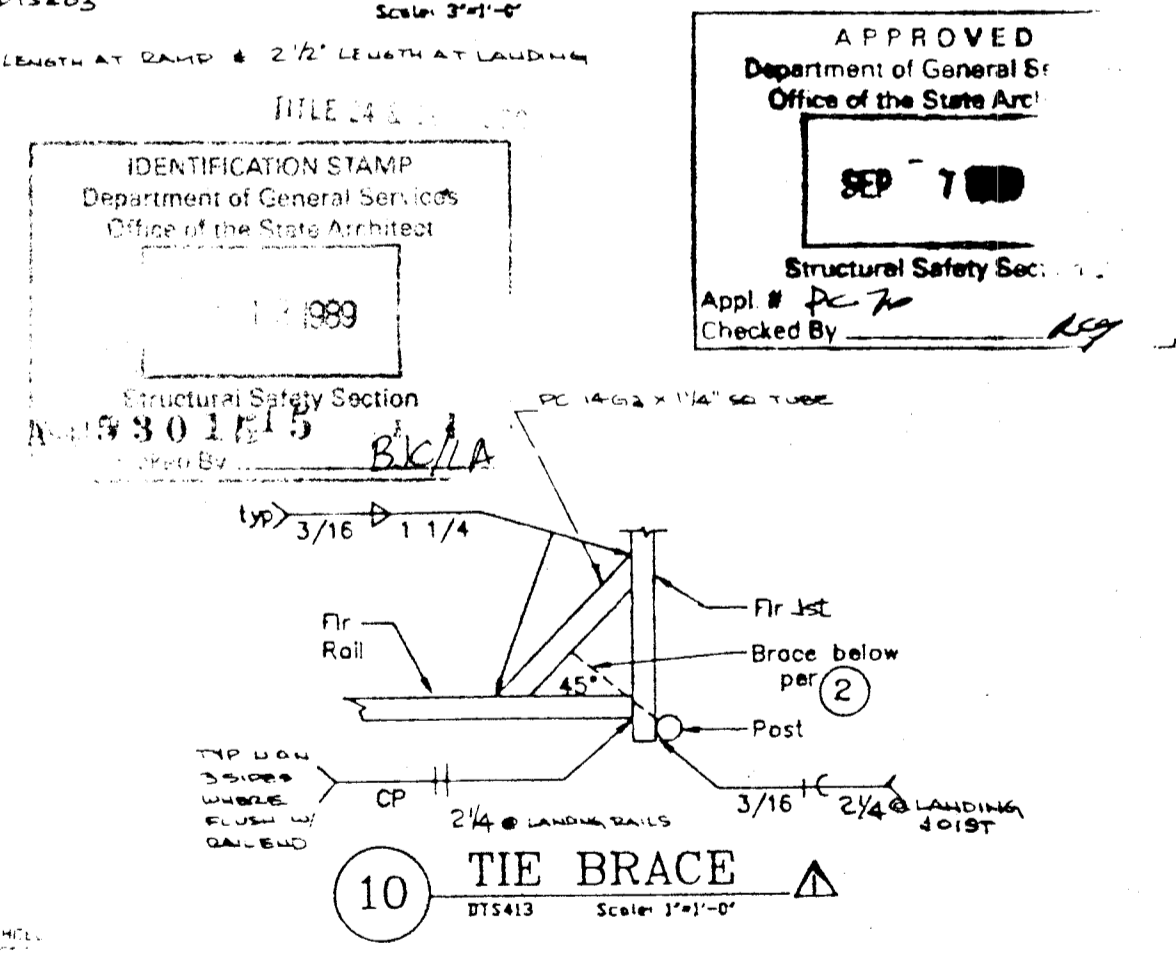
C SECTION AT LANDING
DTS40C Scale: 3/4"=1'-0"



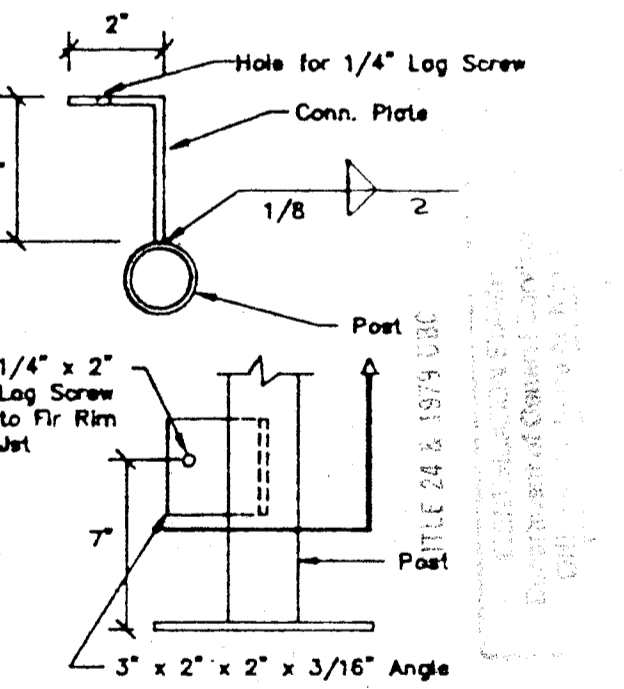
D END OF RAMP AT POST
Scale: 3/4"=1'-0"



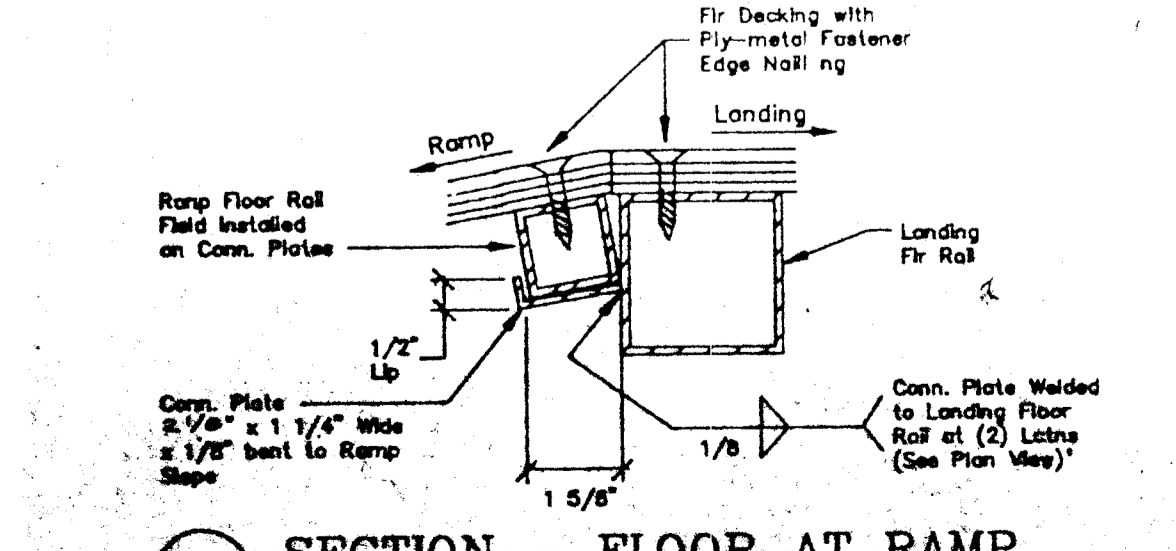
4 FLOOR SUPPORT TO RAIL
Scale: 3/4"=1'-0"



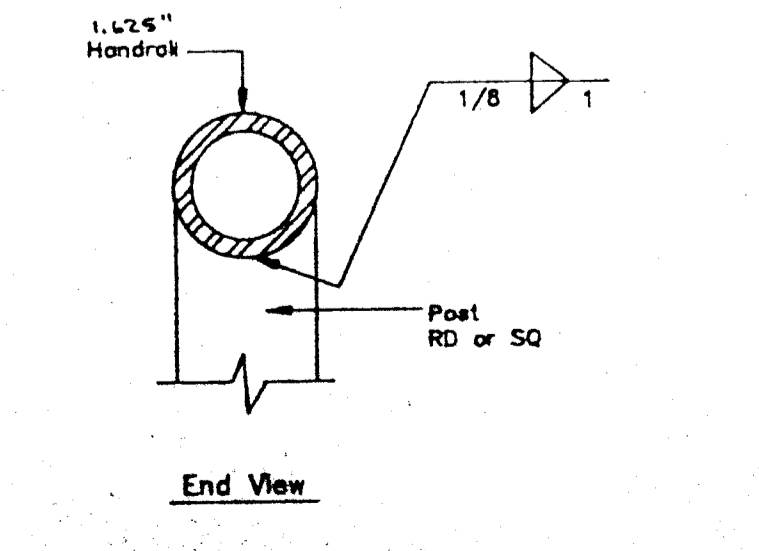
10 TIE BRACE
DTS413 Scale: 3/4"=1'-0"



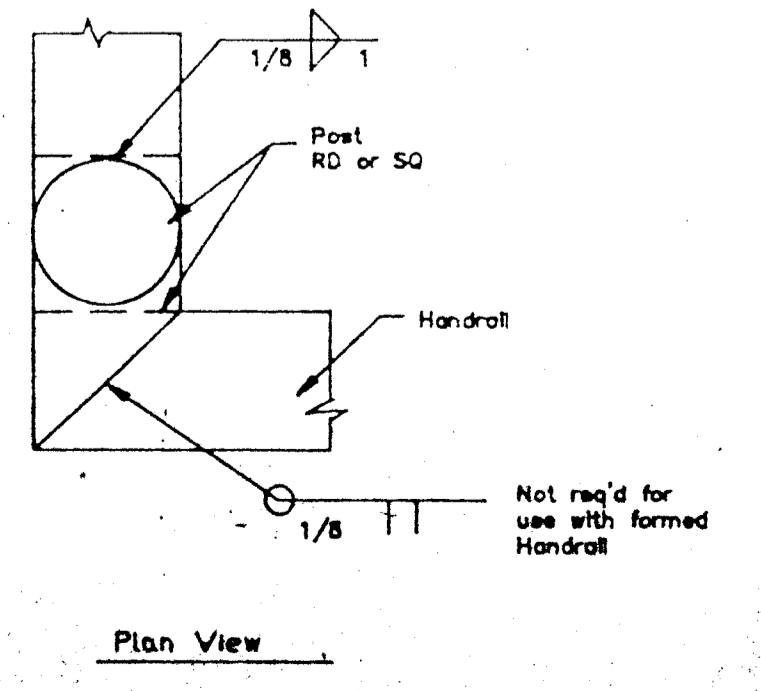
11 RAMP/CONN. PLATE
DTS412 Scale: 3/4"=1'-0"



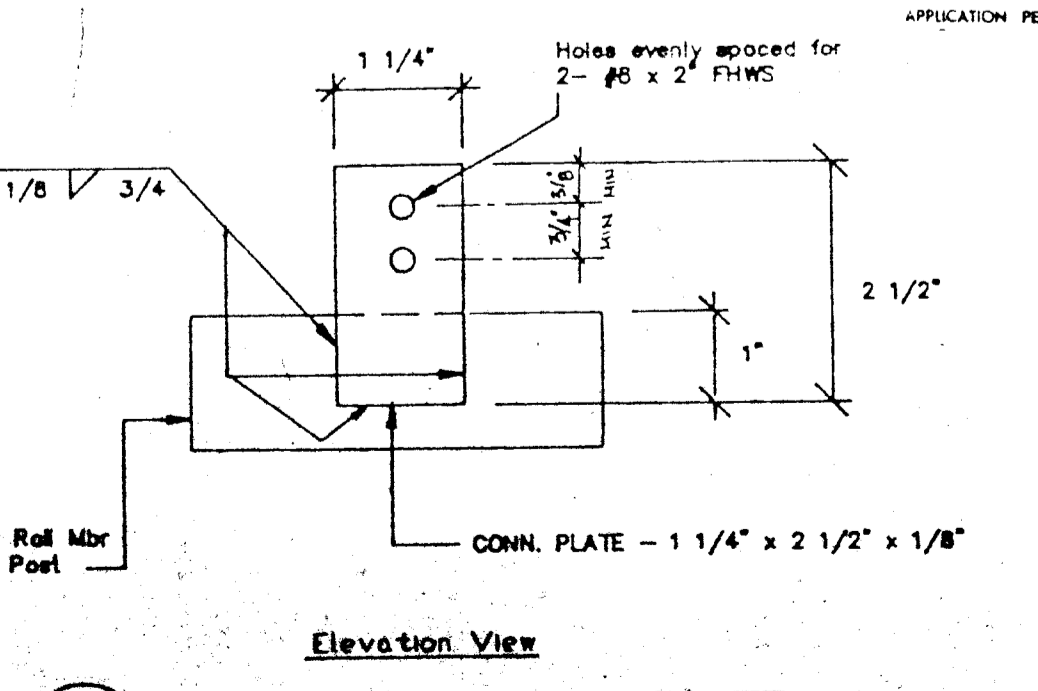
E SECTION - FLOOR AT RAMP AND LANDING
Scale: 4"=1'-0"



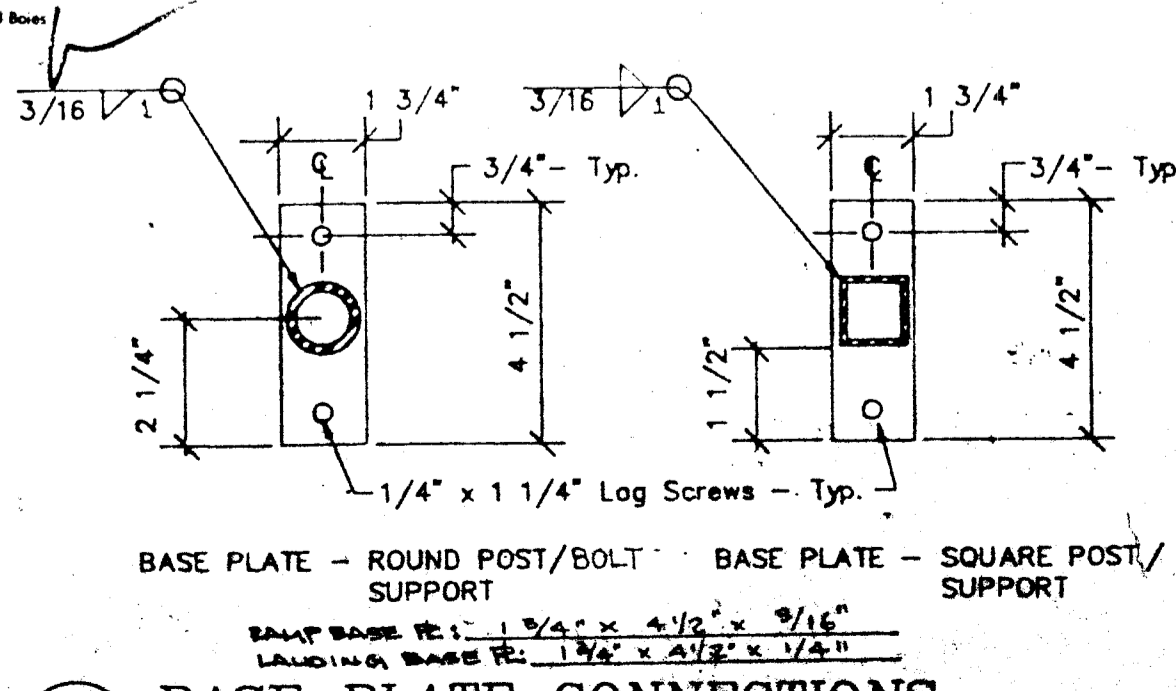
6 HANDRAIL DETAIL
Scale: 6"=1'-0"



7 HANDRAIL AT CORNER
Scale: 6"=1'-0"



8 BLDG. CONNECTION PLATE
Scale: 6"=1'-0"



9 BASE PLATE CONNECTIONS
Scale: 3/4"=1'-0"

FLOOR DECKING: 3/4" Marine Ext. APA 48/24 Plywood with non-skid surface. (See Alternate) Deck surfaces shall be sealed on all sides. Fastened to steel floor members with Alternates: 2 10-24 x 1 1/4" long Ply-Metal Type Screws, or Hilti "EDN" or Pnutek Pins - Min. 1 1/8" long. (SD43)29 or H34188 fasteners) at 12" o.c. spacing. 4'-0" end splice w/ floor members.

ALT. FLOOR DECKING: 3/4" B-C Grade, APA 48/24 Exterior Plywood with non-skid surface.

OFFICE OF STATE FIRE MARSHAL
APPROVED
Approval of this plan does not authorize or approve any omission or deviation from applicable regulations. Final approval is subject to field inspection. One set of approved plans shall be available on the project site at all times.

Reviewed by: J. Williams
6-30-89

APPROVED
Department of General Services
Office of the State Architect
SEP 7 1989
Structural Safety Section
Appl # PC-76
Checked By: [Signature]

IDENTIFICATION STAMP
Department of General Services
Office of the State Architect
IN 30
Structural Safety Section
Appl # PC-76
Backchecked By: [Signature]

PC-76 JUN 30 1989
APPROVED PER K. JUD BOLLE

DESIGN
Roof Load = MA PSF
Floor Load = 100 PSF
Wind Load = MA
Seismic Zone = 4

MUNSEY SCHOOL MODERNIZATION
BAKERSFIELD CITY SCHOOL DISTRICT
BAKERSFIELD, CALIFORNIA

APPROVED
OFFICE OF THE STATE ARCHITECT
FEB 2 1989

ONLY
FEB 2 1989
524 21 FEB 27 90
APPLICATION PER W. JUD BOLLE

5-4-1 12/14
Kendrick Design Group
architects • planners

Kendrick Design Group

job number
3812

sheet number
A-26

2115 19th street, bakersfield, ca 93301 • (805) 322-1863