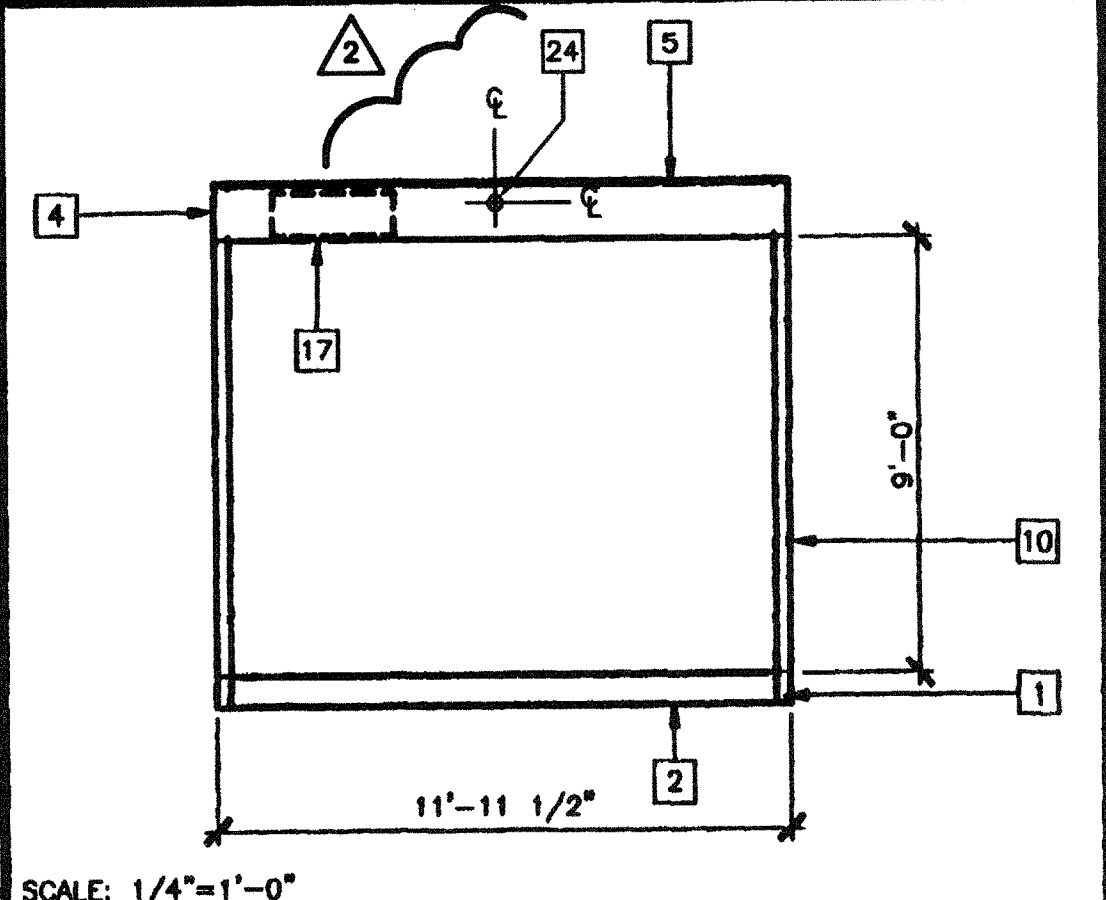
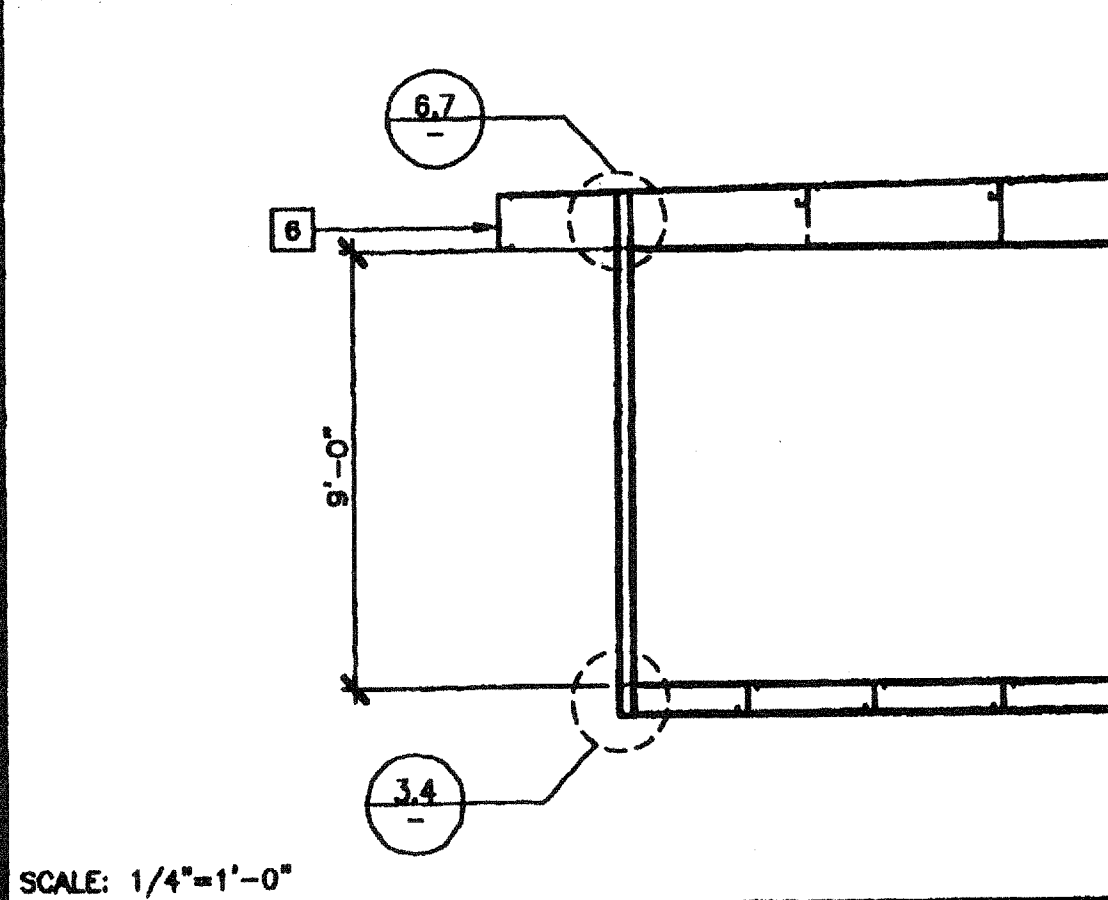


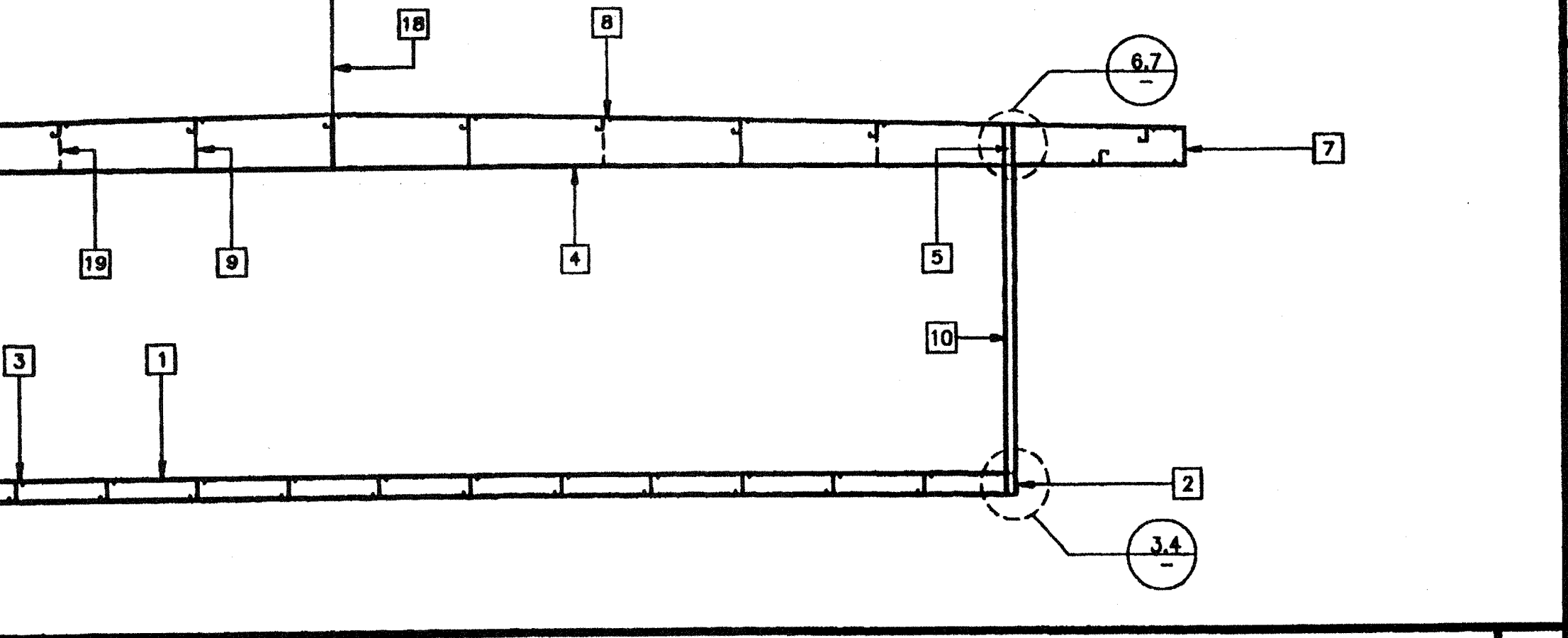
SCALE: NTS
OPTIONAL BEAM PENETRATION



SCALE: 1/4"=1'-0"
SECTION AT END WALL

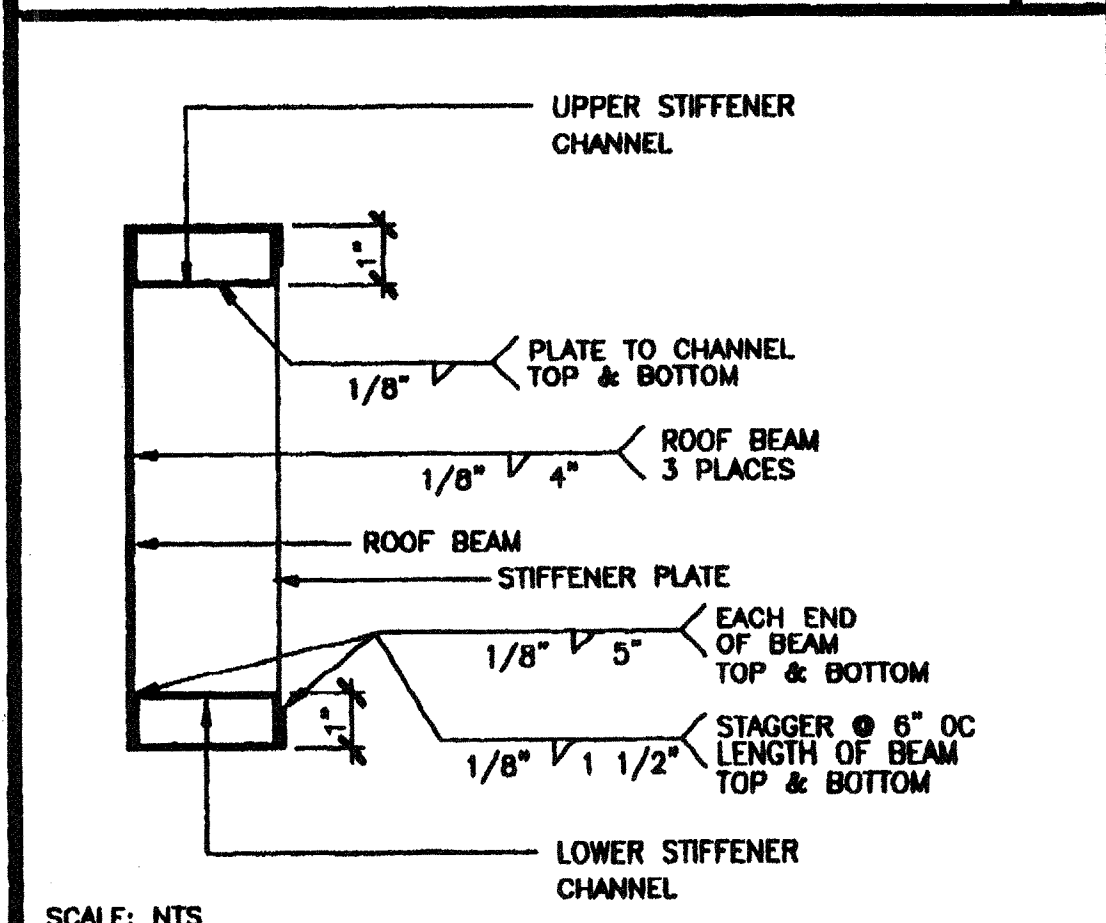


SCALE: 1/4"=1'-0"
SECTION AT SIDE WALL

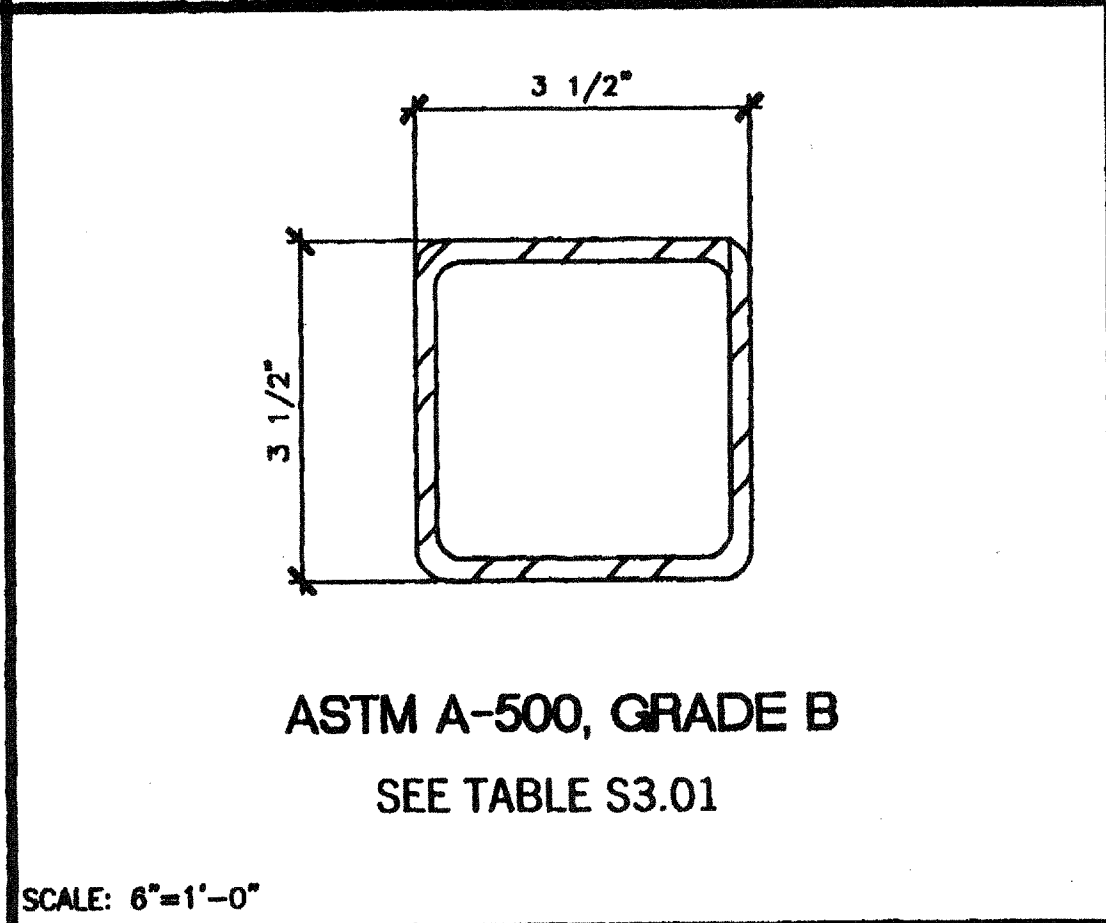


SCALE: NTS
MODULE CONNECTION AT FLOOR

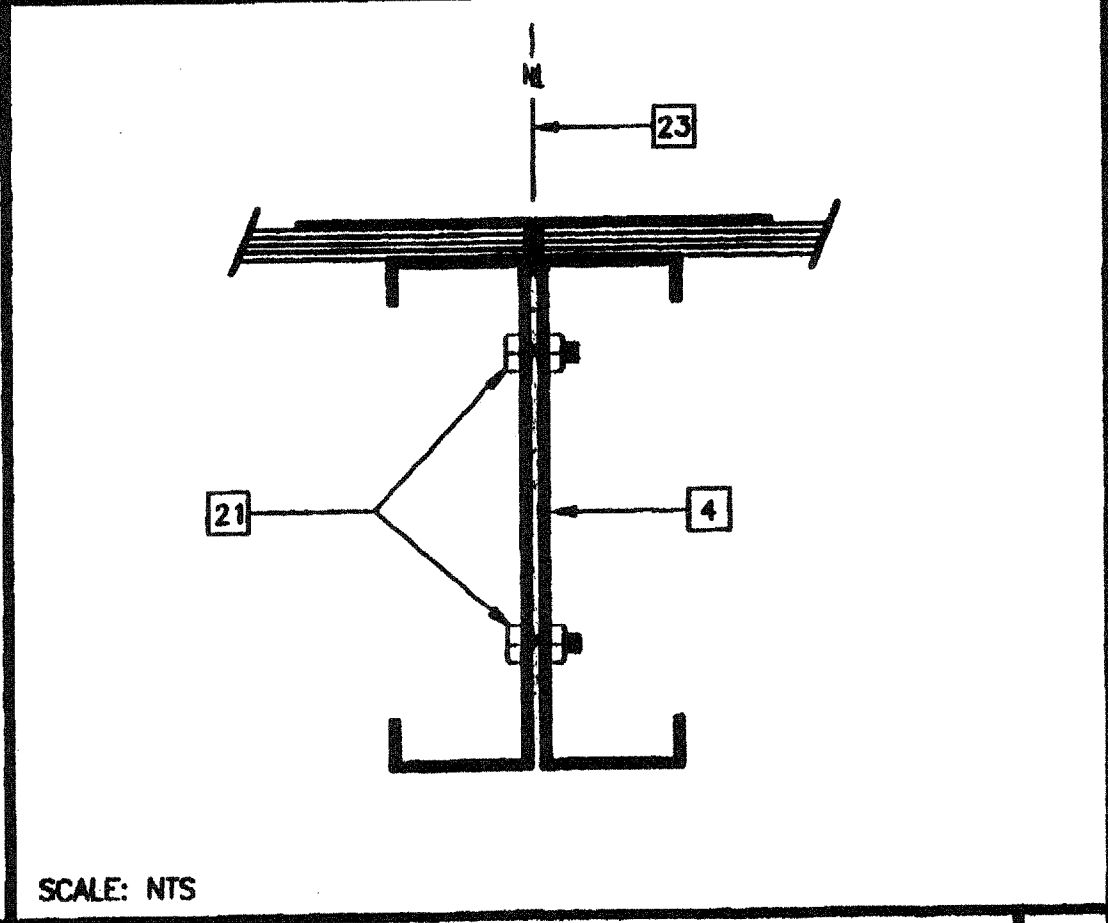
- KEY NOTES**
- 1 FLOOR BEAM - 1/S1
 - 2 FLOOR HEADER - 1/S1
 - 3 FLOOR JOIST - 2/S1
 - 4 TAPERED ROOF BEAM - 1/S2.01
 - 5 ROOF HEADER - 2/S2.01
 - 6 ROOF FASCIA AT 2'-6" OVERHANG - 3/S2.01
 - 7 ROOF FASCIA AT 5'-0" OVERHANG - 3/S2.01
 - 8 ROOF PURLIN - 4/S2.01
 - 9 1/4" FULL DEPTH STIFFENER PLATE AT 8'-0" OC TYPICAL ALIGN WITH PURLIN - 9/S2.01
 - 10 TUBE STEEL COLUMN, SEE TABLE BELOW, 8/S3.01
 - 11 3 1/2"x3 1/2"x1/4" STEEL STIFFENER PLATE. WHEN CONCRETE FOUNDATIONS ARE USED REPLACE LOWER PLATE WITH 5"x8"x1/4" ANCHOR BOLT PLATE - 3/S1
 - 12 3 1/2"x3 1/2"x1/4" TUBE STEEL STUB
 - 13 (1) 3"x3"x10 GA. TUBE STEEL BACK UP TUBE OR (4) 10 GA BACK UP PLATES
 - 14 3 1/2"x3 1/2"x1/4" ANGLE STIFFENER
 - 15 BACK-UP PLATE - 10 GA MIN
 - 16 1/4" BASE PLATE - INSERT FLUSH WITH STIFFENER TUBE
 - 17 HVAC DUCT OPENING - 12/S2.01
 - 18 RIDGE
 - 19 1/4" FULL DEPTH STIFFENER PLATE AT 4'-0" OC AT EXTERIOR SIDEWALLS ONLY FOR 80 MPH DESIGN WIND LOAD ONLY
 - 20 HAND HOLE AT BOLT LOCATION
 - 21 5/8" MB A307 AT MODULE CONNECTION JOINT - SEE FLOOR/ROOF FRAMING PLANS
 - 22 FLOOR SHEATHING
 - 23 MODULE JOINT
 - 24 ATTIC RELIEF VENT - SEE 13/-



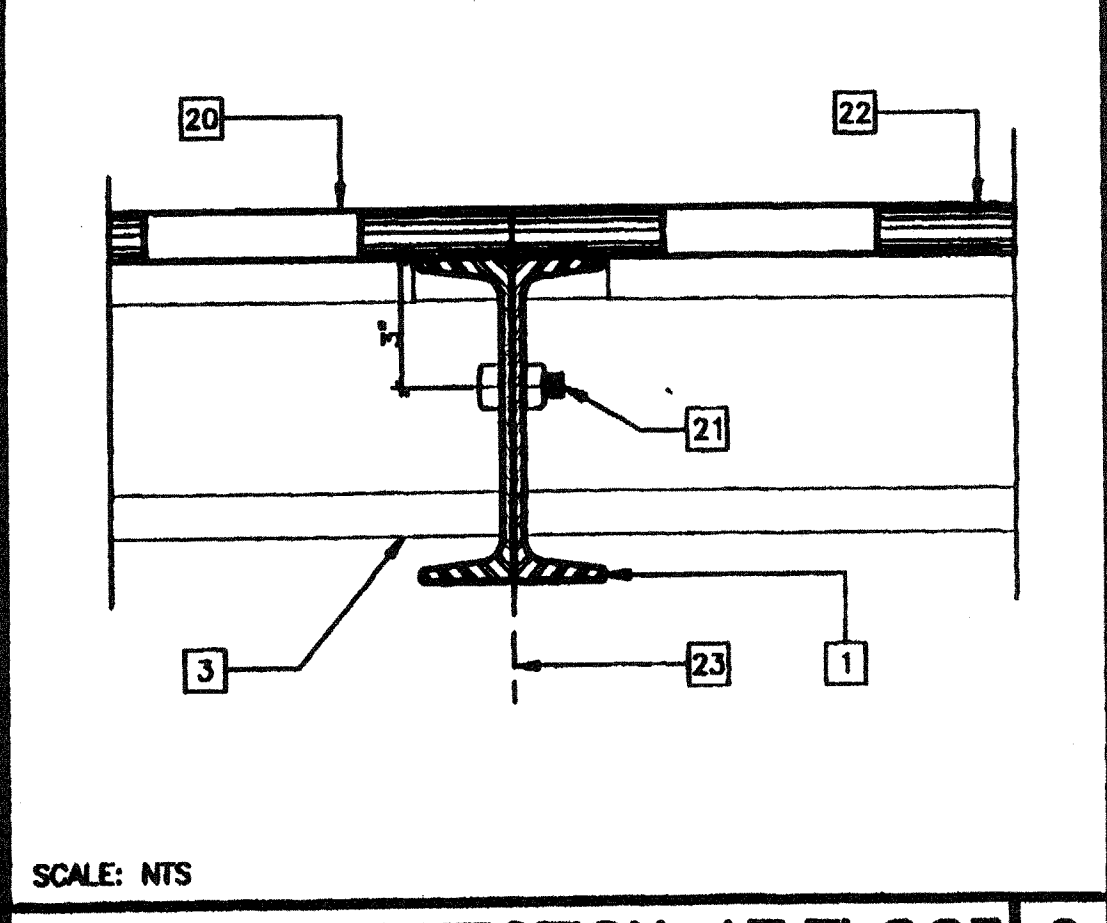
SCALE: NTS
PENETRATION REINFORCEMENT



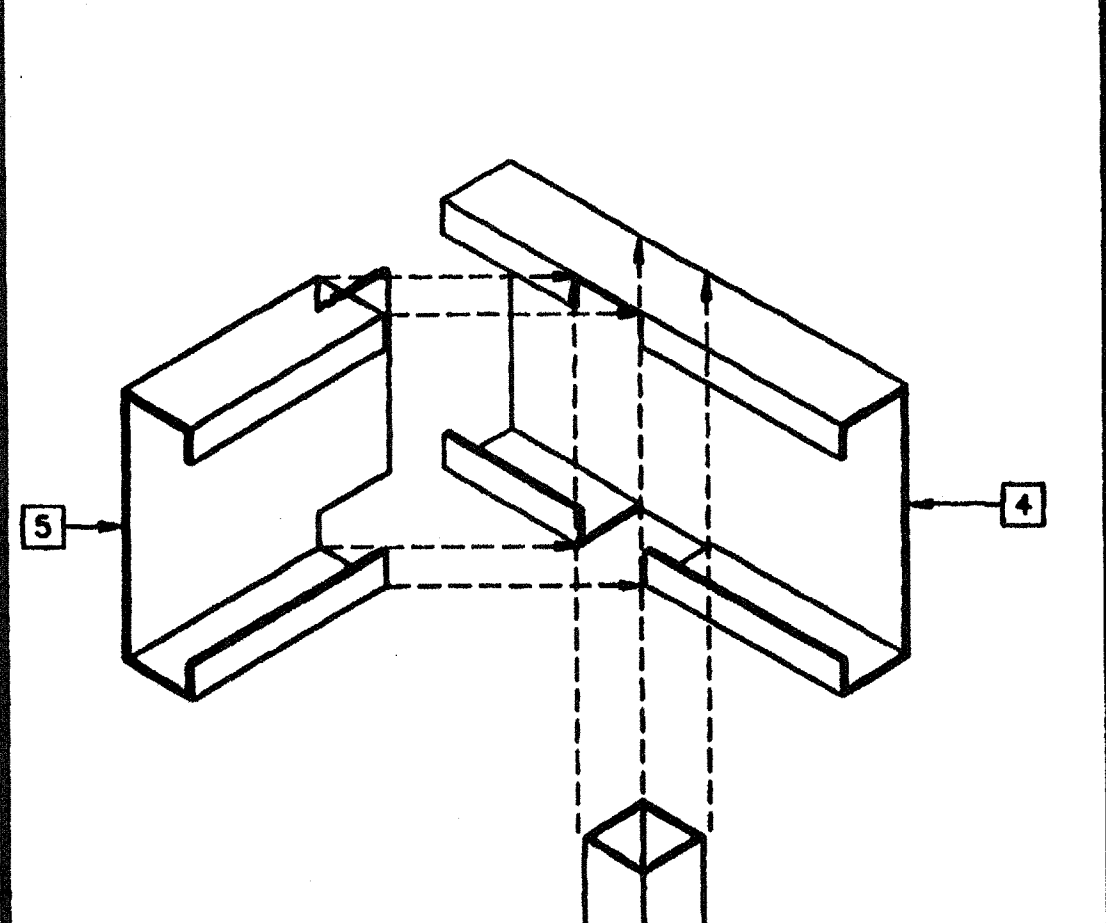
SCALE: 6"=1'-0"
TUBE STEEL COLUMN/STIFFENER



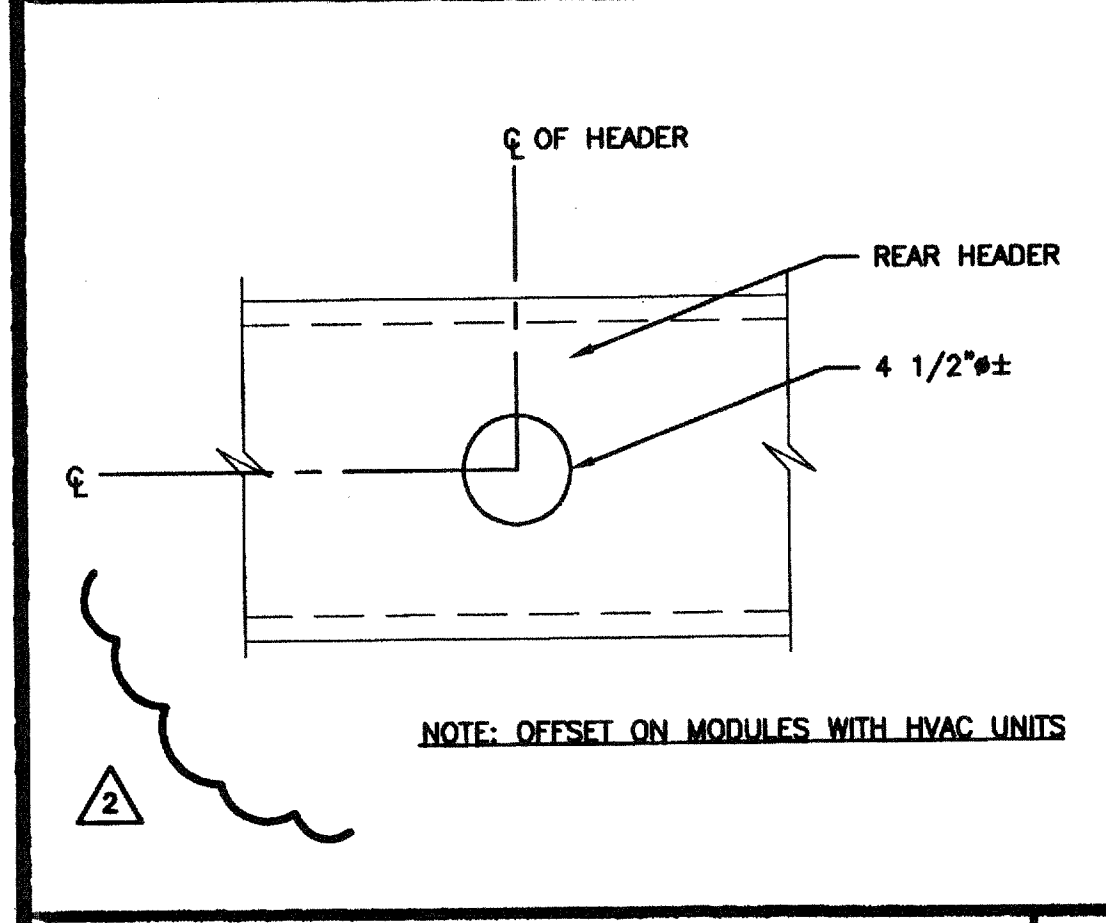
SCALE: NTS
MODULE CONNECTION AT ROOF



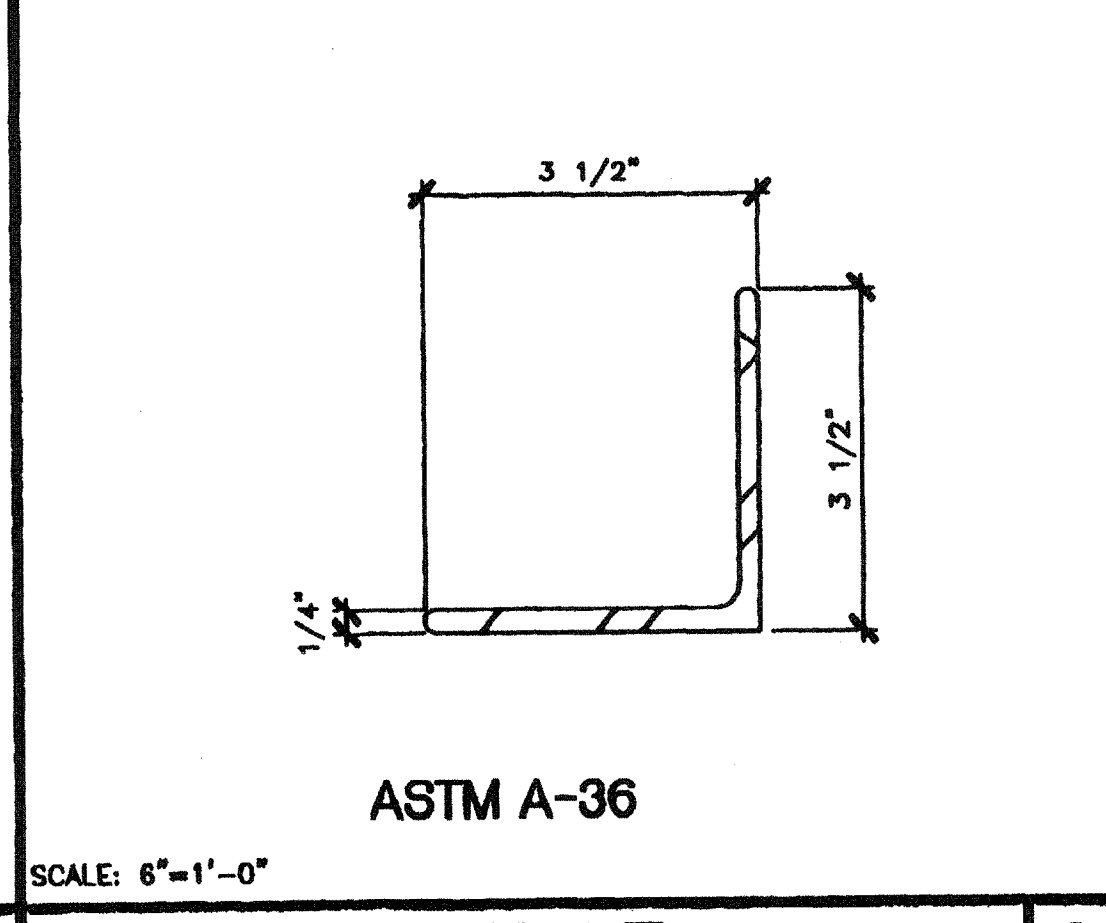
SCALE: NTS
MODULE CONNECTION AT FLOOR



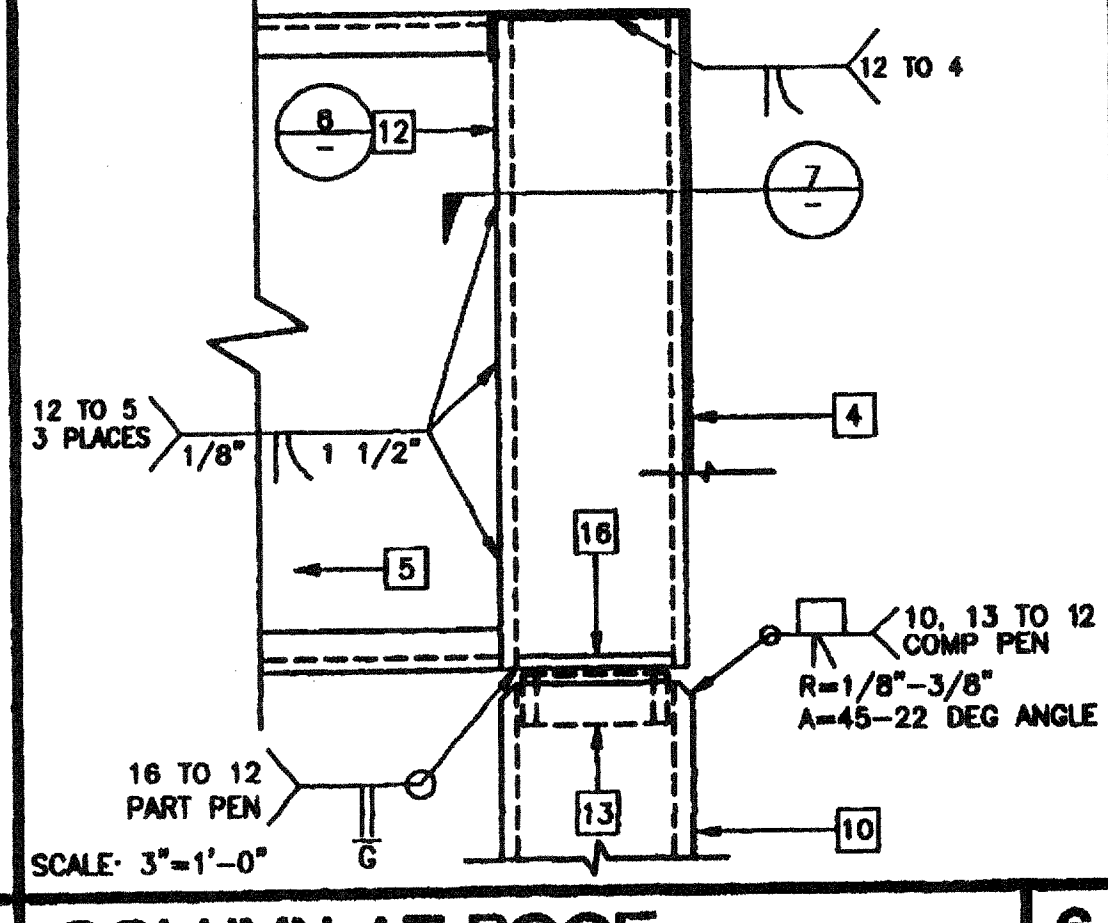
SCALE: NTS
COLUMN AT FLOOR AND ROOF



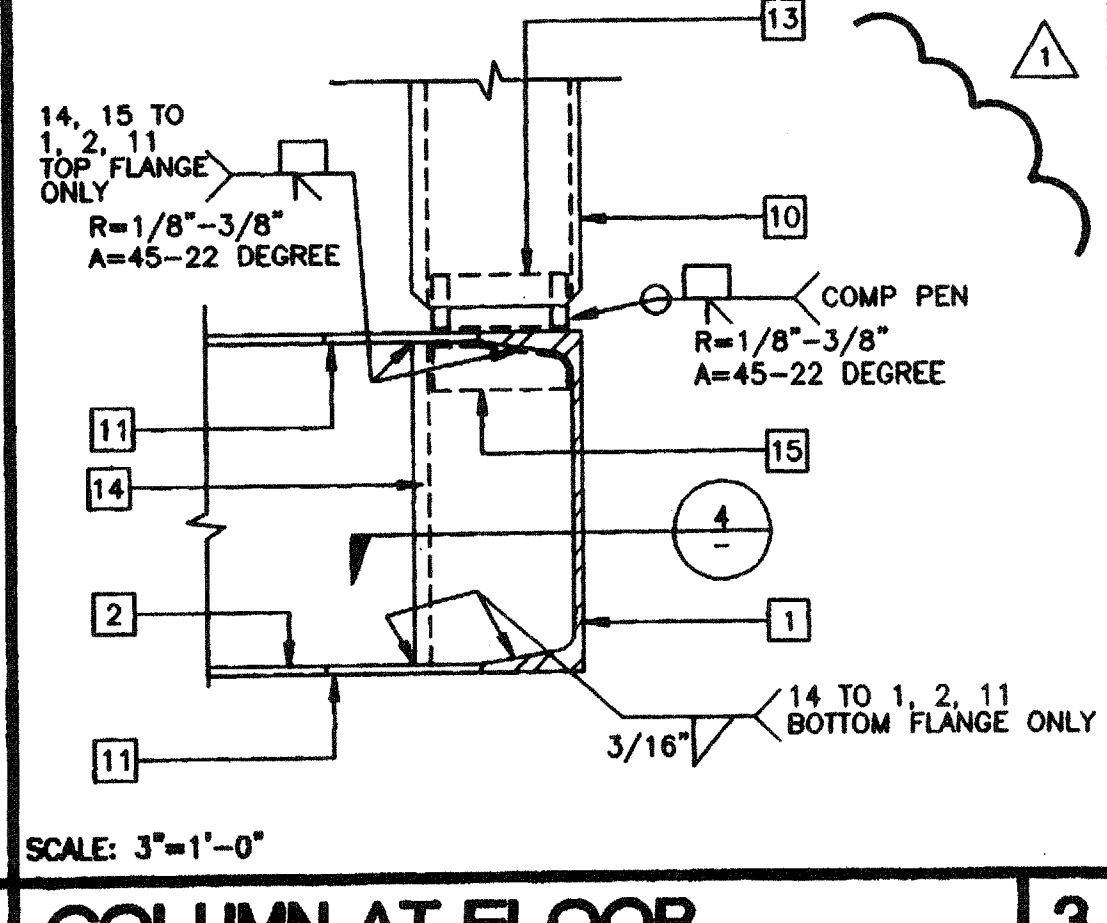
SCALE: NTS
ATTIC RELIEF VENT



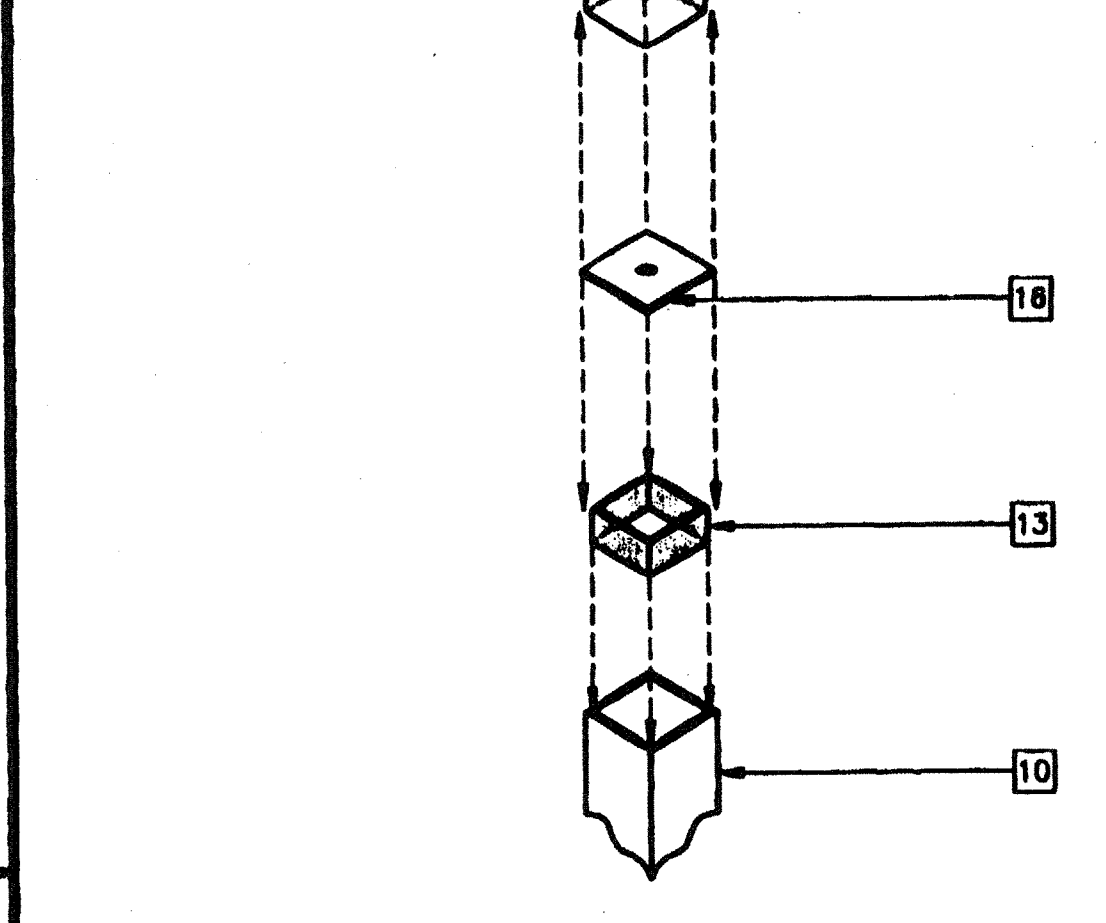
SCALE: 6"=1'-0"
STIFFENER ANGLE



SCALE: 3"=1'-0"
COLUMN AT ROOF



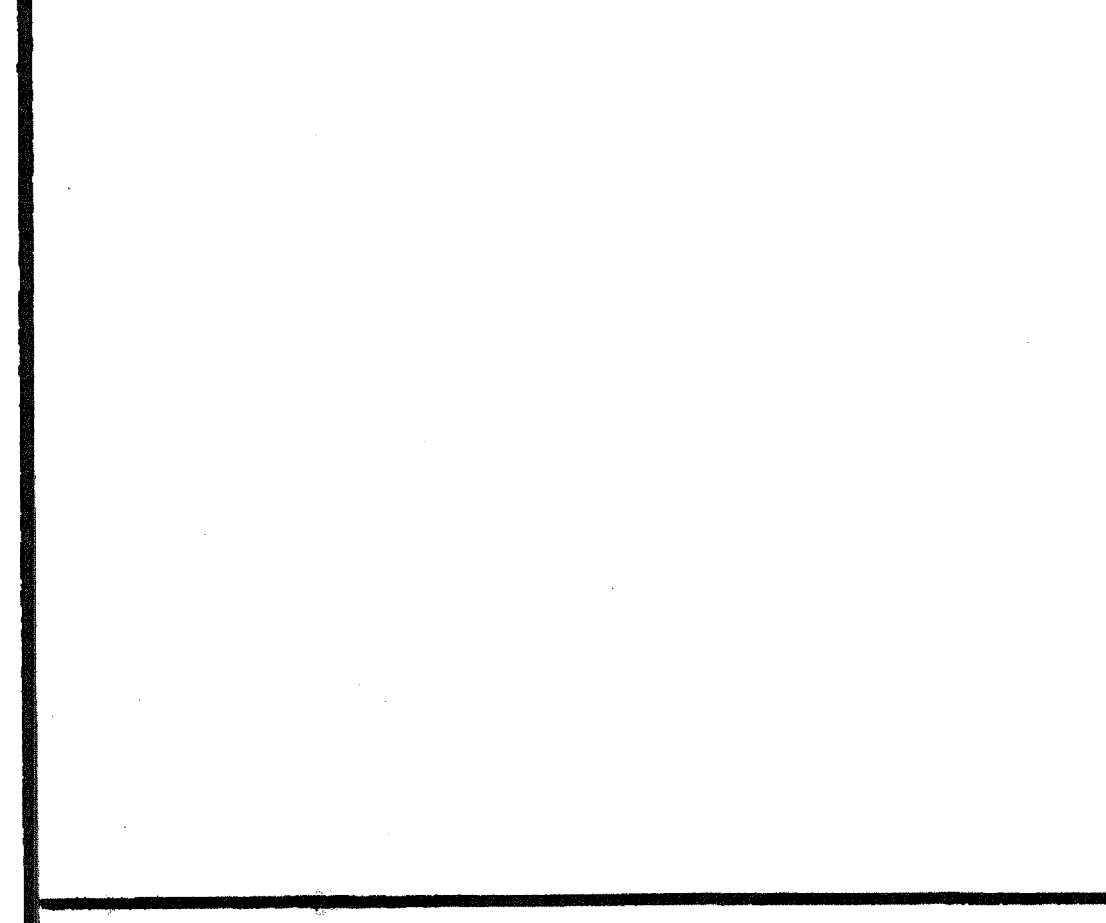
SCALE: 3"=1'-0"
COLUMN AT FLOOR



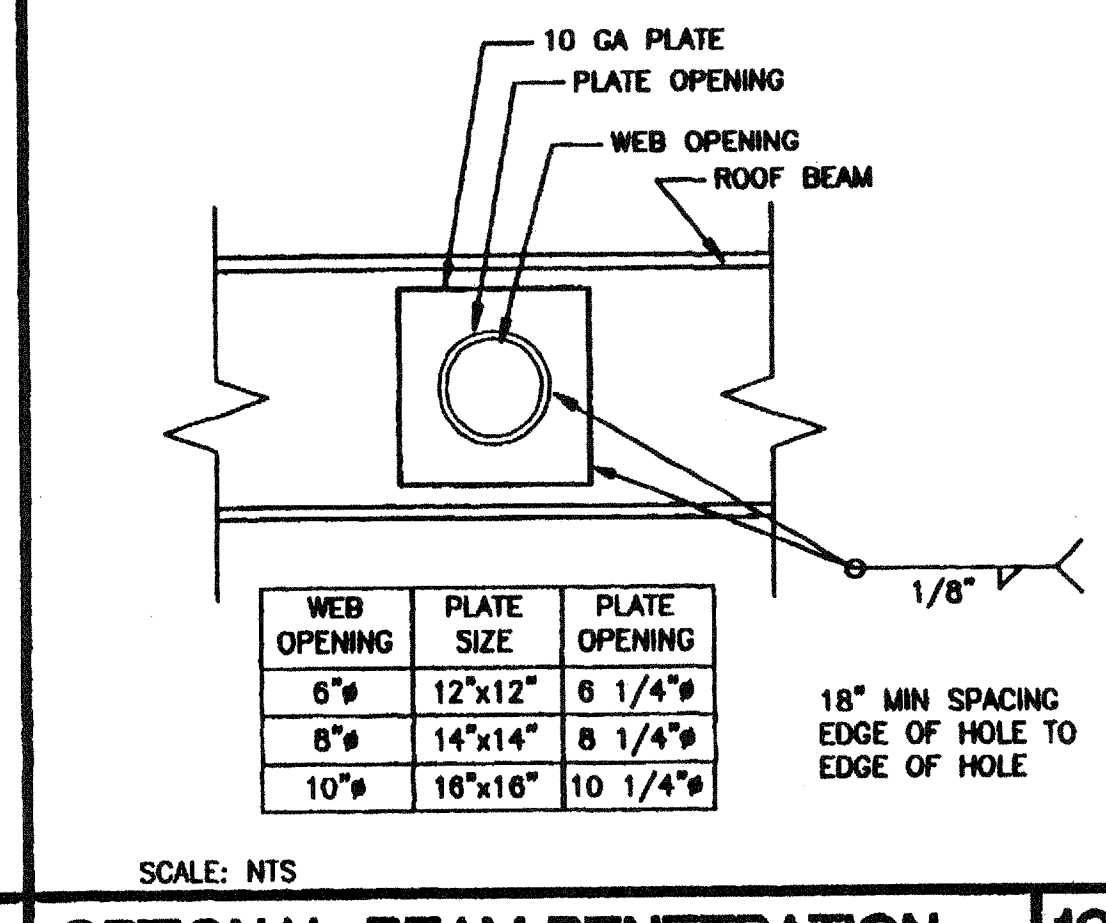
SCALE: NTS
COLUMN AT FLOOR AND ROOF

COLUMN SIZE TABLE

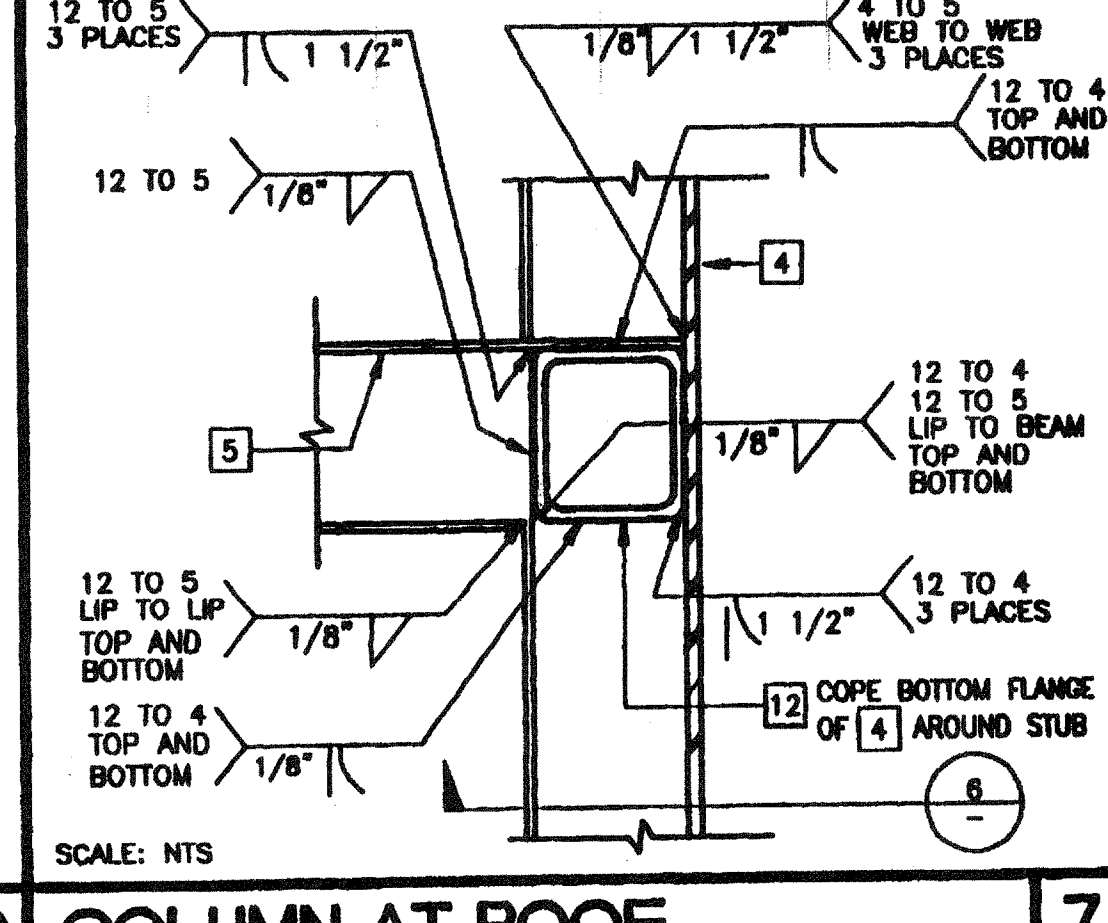
DESIGN WIND LOAD	COLUMN SIZE
75 MPH	3 1/2"x3 1/2"x5/16"
80 MPH	3 1/2"x3 1/2"x5/16"



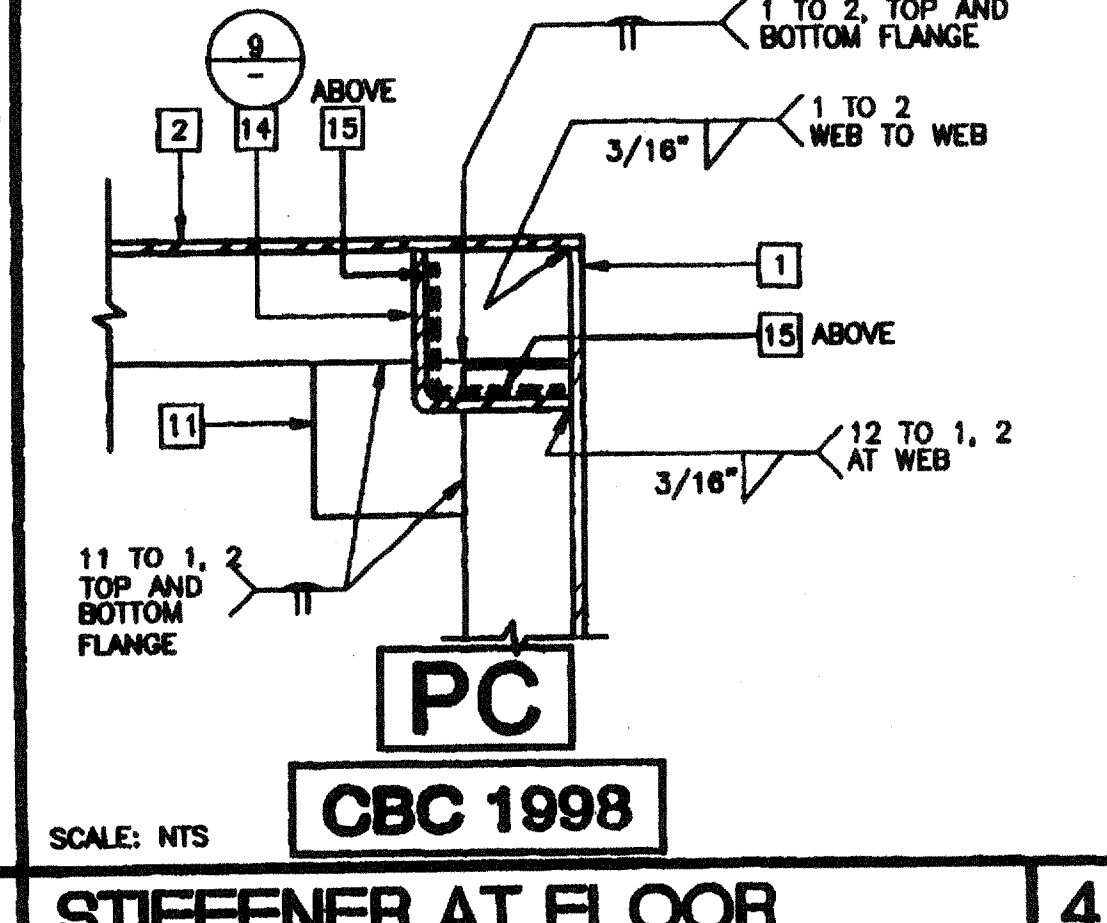
SCALE: NTS
OPTIONAL BEAM PENETRATION



SCALE: NTS
COLUMN AT ROOF



SCALE: NTS
STIFFENER AT FLOOR



SCALE: NTS
COLUMN AT FLOOR AND ROOF

REVISIONS

NO.	DESCRIPTION	DATE
1	CHANGED FLANGE WELD CALL OUT DET 3	11/9/00
2	ADDED ATTIC RELIEF INFO	04/09/02

Electrical Engineer's Seal
Mechanical Engineer's Seal
Structural Engineer's Seal

Architectural Seal
REGISTERED ARCHITECT
BRUCE C. EDWARDS
STATE OF CALIFORNIA
NOV 09 2000

MODTECH INC.
2830 BARRETT AVENUE
PERRIS, CALIF. 92572
PH (909) 943-4014
FAX (909) 940-0427

PROJECT NUMBER: 4134, 4153, 4173 4302. © MODTECH, INC. 2001
4304, 4307

DRAWN BY: M. ANDERSEN
DATE: APR 15 2002
CHECKED BY: 4012-181
DATE: 04-16-02
MODIFIED: [Signature]
S3.01

FILE PATH: 2440-4134.DWG PROJECT NO. 4134, #207 PC-04-101268