

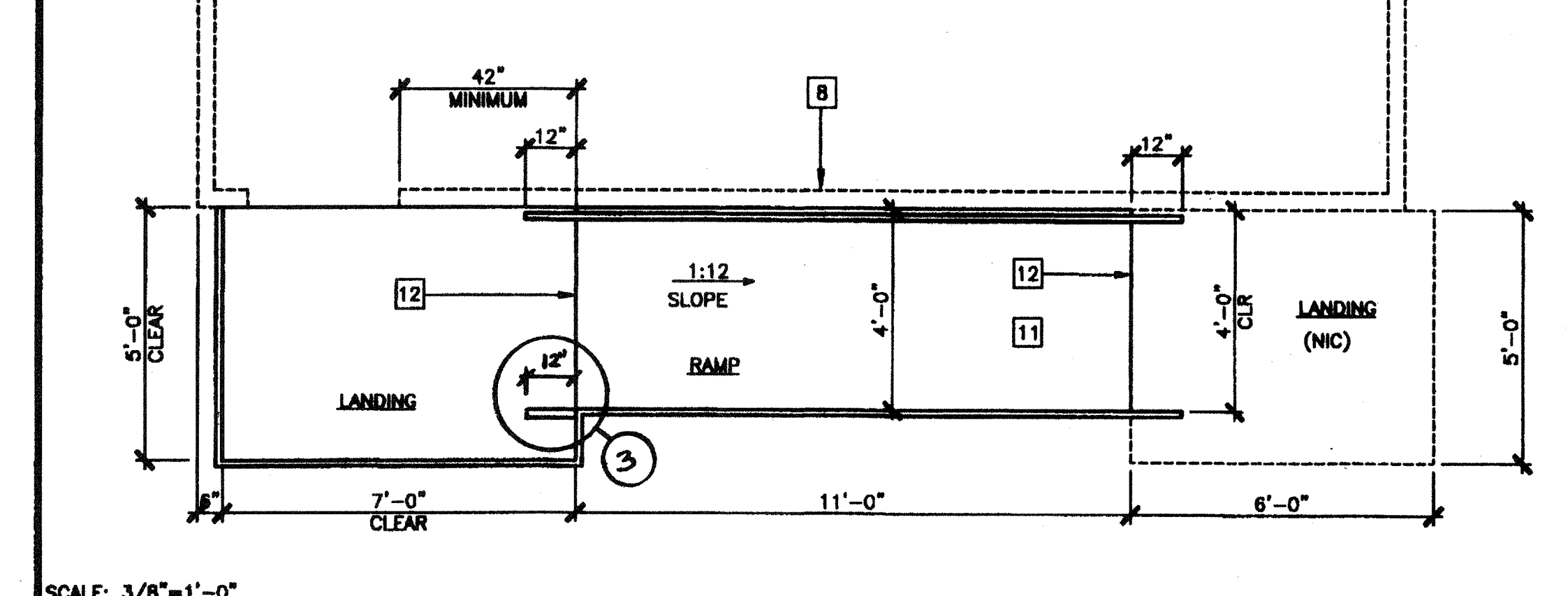
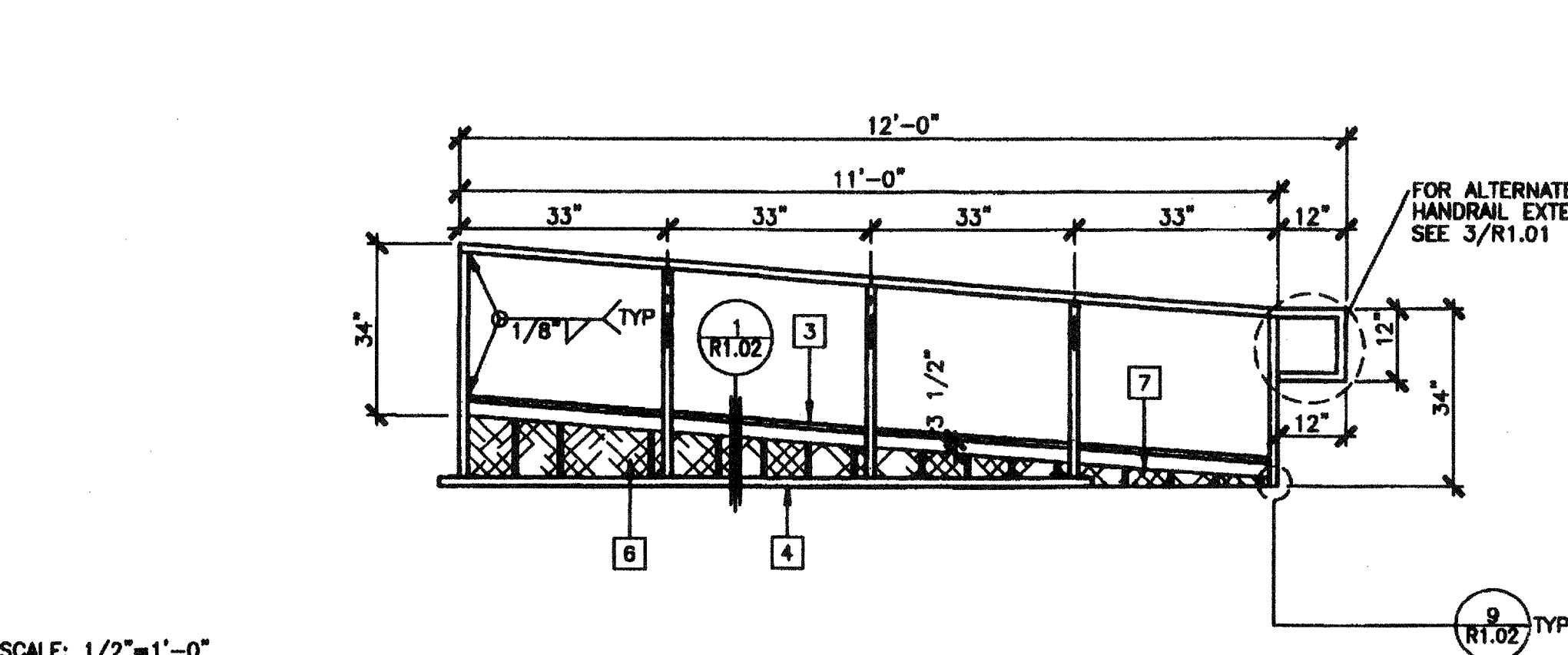
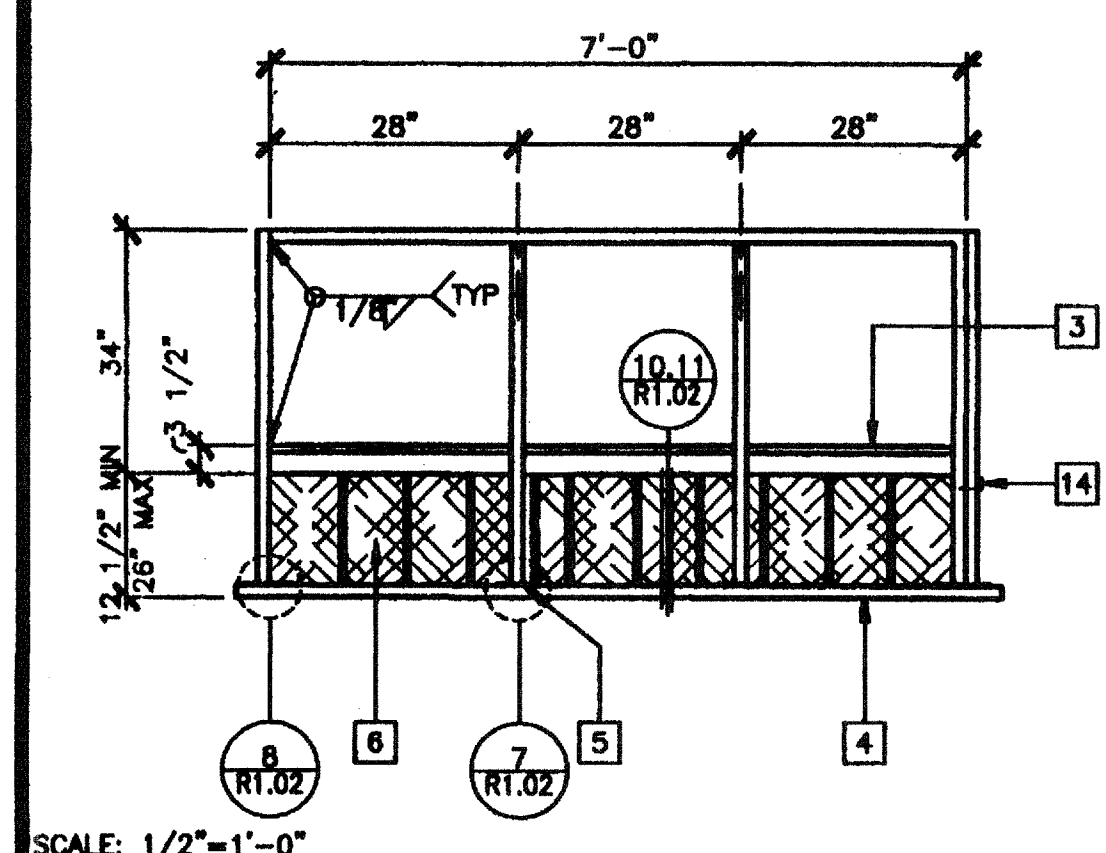
KEY NOTES

- 1 TS 2"x2"x14 GA
- 2 TS 1 1/2"x1 1/2"x14 GA (Fy = 39KSI). ROUNDED OR BEVELED AT CORNERS
- 3 TS 1"x1"x16 GA WHEELCHAIR GUIDE
- 4 2"x8" PRESSURE TREATED SILL PLATE
- 5 2"x4"x12 GA BASE PLATE WITH (2) 1/4"x1" LAGS
- 6 SKIRTING: PLYWOOD TO MATCH BUILDING SIDING. BLOCK ALL EDGES. ATTACH WITH 8d AT 6" OC EDGES AND 12" OC FIELD. AT EDGE CONNECTION TO TUBE STEEL USE #14x2" TEK SCREWS AT 6" OC
- 7 12 GA METAL DECK: NON-SLIP SURFACE. DESIGN COEFFICIENT OF FRICTION GREATER THAN 0.8. MAINTAINABLE FOR 1 YEAR
- 8 EXISTING BUILDING
- 9 6"x10"x12 GA BASE PLATE AT RAMP TOE
- 10 LOWER LANDING BY DISTRICT
- 11 RAMP BY MODTECH
- 12 FLUSH TRANSITION
- 13 6"x12"x10 GA PLATE WITH (2) 1/4"x3" LAGS TO STRUCTURAL FRAME OF BUILDING
- 14 3"x1"x3'-0"x10 GA BENT PLATE
- 15 2"x4"x 1/8" PLATE
- 16 TS 1 1/2"x1 1/2"x14 GA HANDRAIL - CONTINUOUS AND UNINTERRUPTED ROUNDED OR BEVELED AT CORNERS
- 17 TS 1"x1"x16 GA
- 18 LINE OF RAMP/LANDING ABOVE
- 19 RAMP EXTENSION FRAME
- 20 6"x10 GA CONTINUOUS PLATE WITH 1/4"x2" TEK SCREWS AT 9" OC INTO WOOD OR FOUNDATION BLOCKS OR #14x2" TEK SCREWS INTO STEEL AT 9" OC
- 21 NOTCH BOTTOM PLATE (MUD SILL) AS REQUIRED TO CLEAR RAMP TOE. MAX NOTCH 1 1/2"x4'-0" LONG.
- 22 NOTCH BOTTOM PLATE (MUD SILL) AS REQUIRED TO CLEAR RAMP TOE. MAX NOTCH 1 1/2"x4'-0" LONG.

LANDING FRAME 12

RAMP FRAME 7

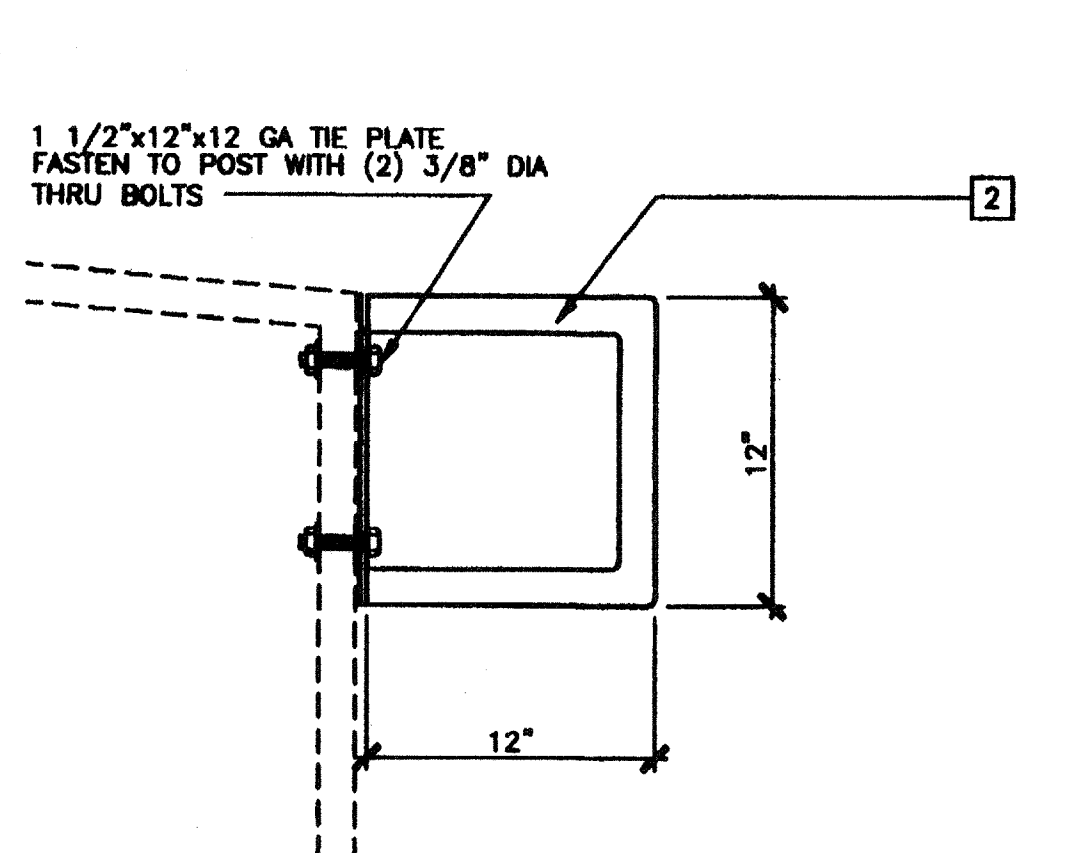
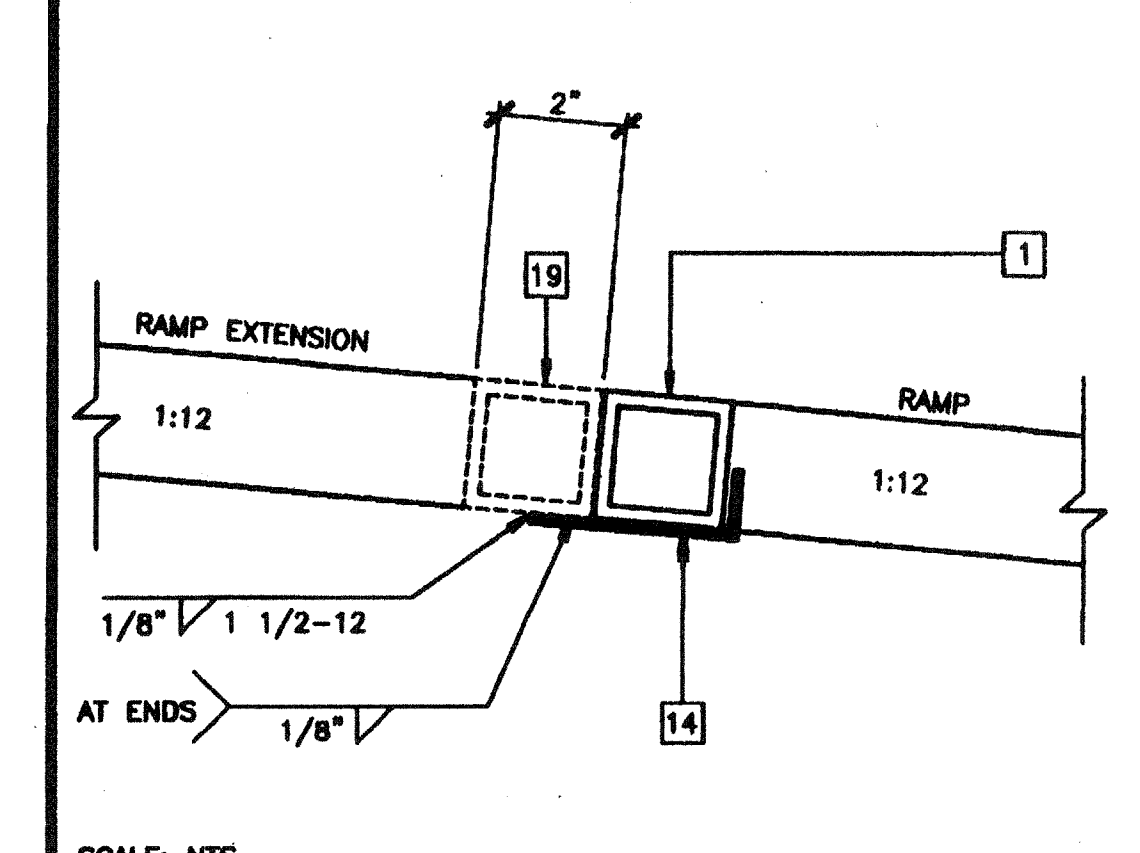
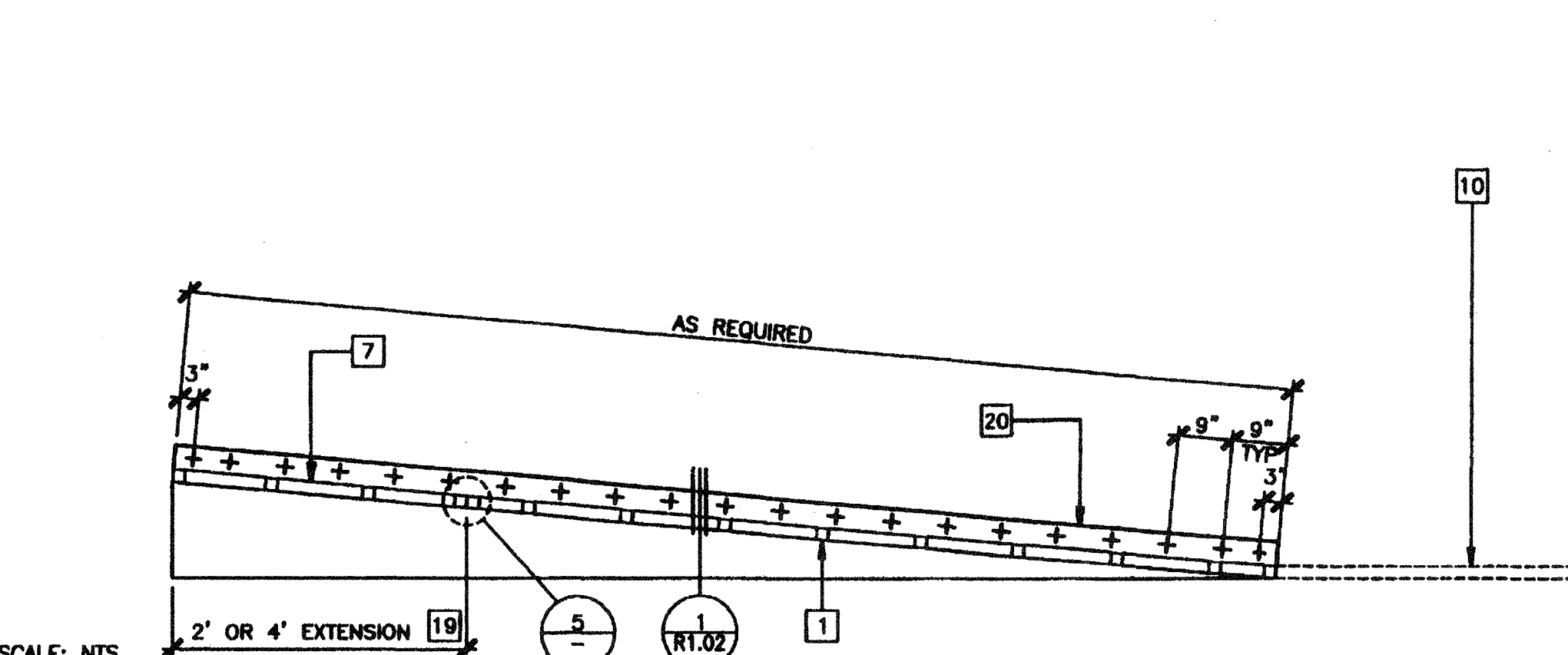
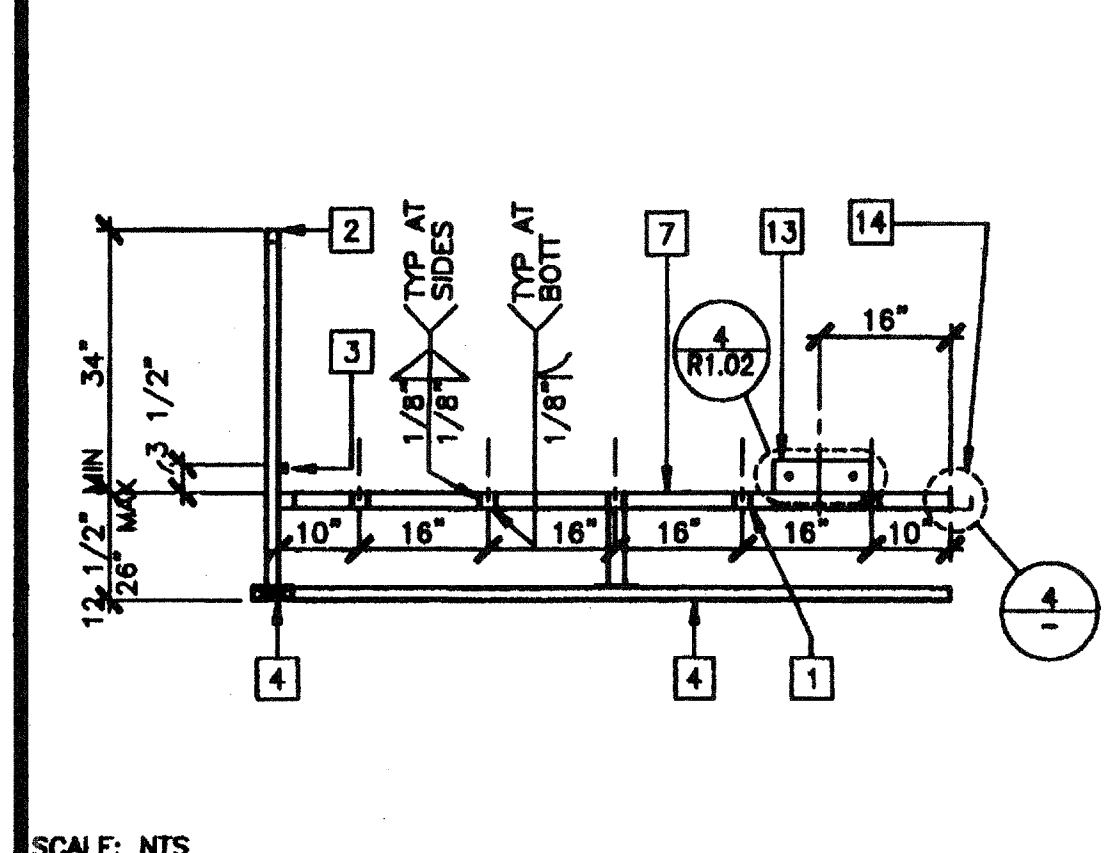
SILL PLAN FOR RAMP AND LANDING 1



LANDING ELEVATION 13

RAMP ELEVATION 8

RAMP AND LANDING AT BUILDING 2

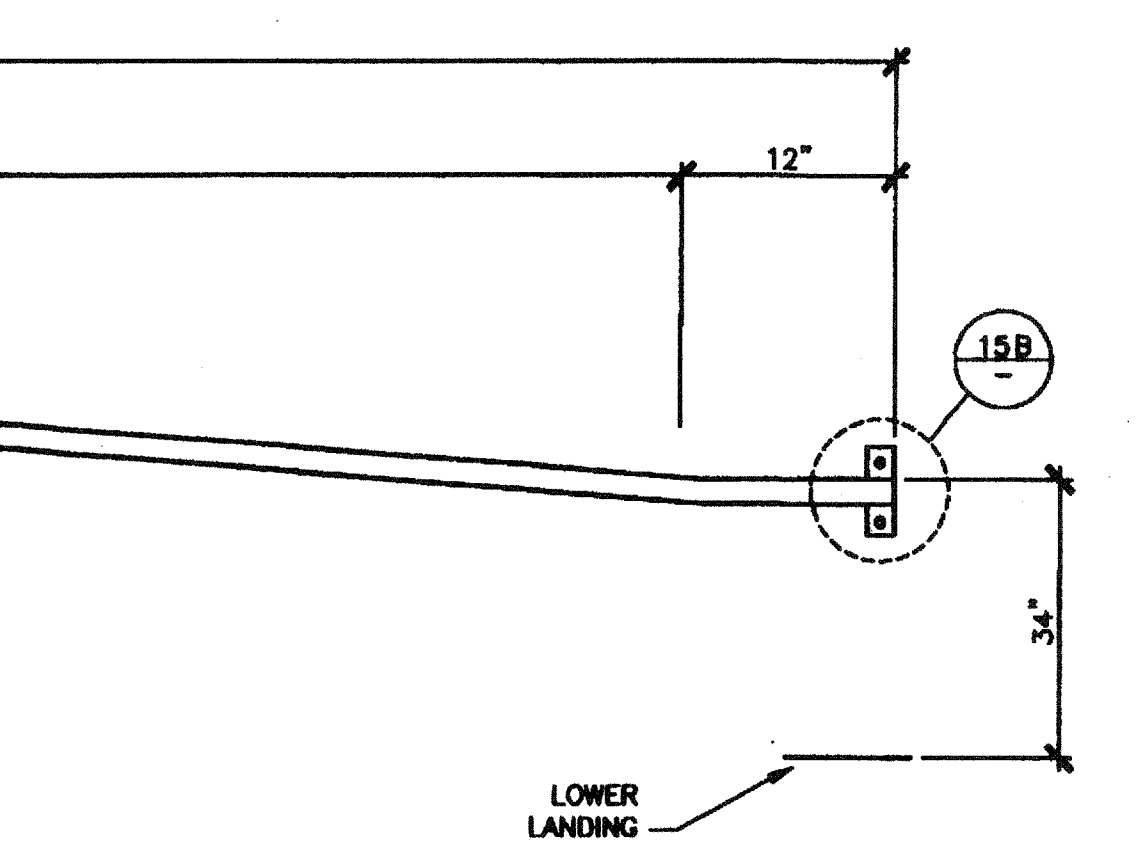
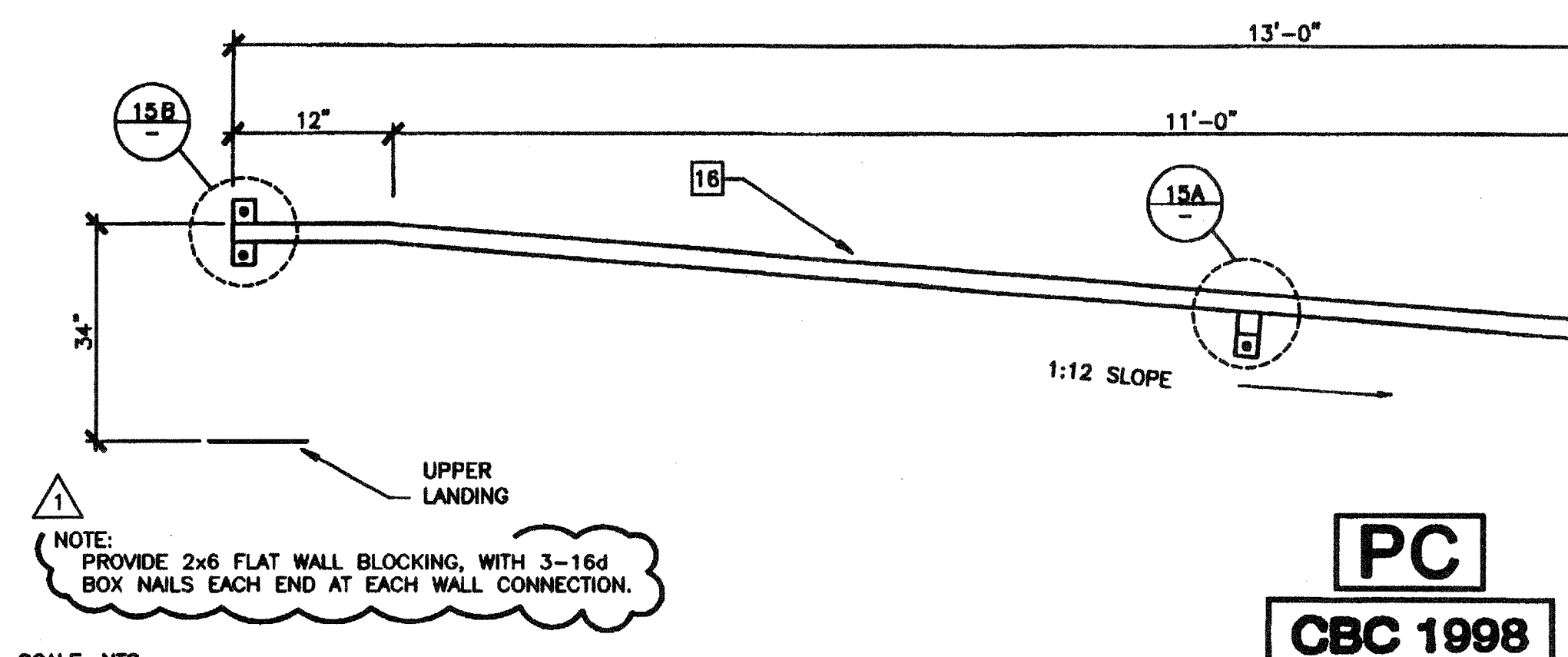
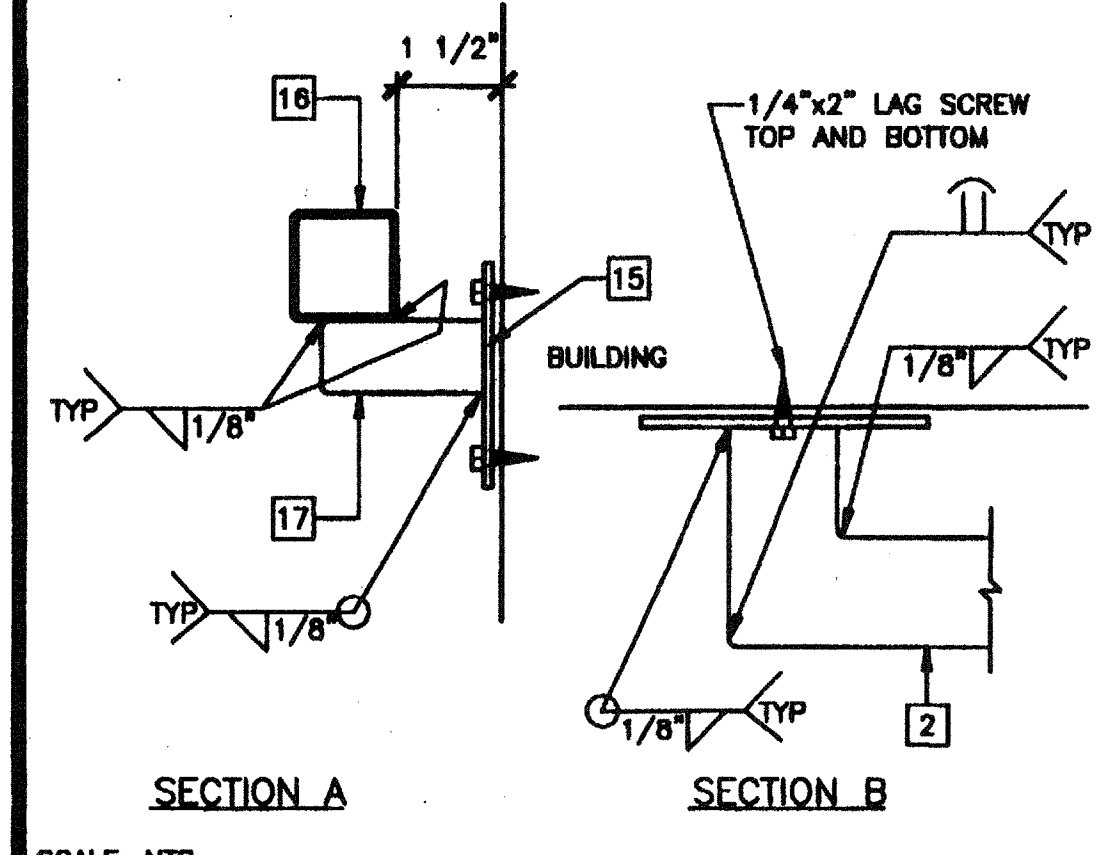


SECTION AT LANDING 14

LONGITUDINAL SECTION AT RAMP 9

RAMP EXTENSION TO RAMP 5

ALTERNATE GUARD RAIL EXTENSION 3



NOTES

1. RAMP: RAMP SHALL NOT SLOPE MORE THAN 1" IN 12"
2. HANDRAILS: HANDRAILS AT BOTH SIDES OF RAMP AT 34" HEIGHT.
3. SURFACE: LANDING & RAMP TO HAVE NON-SLIP SURFACE AMCOR GRIP II AS MANUFACTURED BY AMERICAN CHEMICAL COMPANY (OR EQUAL)
4. GROUNDING: PROVIDE GROUNDING OF RAMP TO BUILDING FRAME WITH #8 COPPER TO BOTH GROUND LUGS.
5. ARCHITECT SITE/RAMP/LANDING PLANNING: DUE TO VARYING SITE CONDITIONS THE MAXIMUM HEIGHT OF FINISH FLOOR FROM GRADE IS 28". THEREFORE IT IS POSSIBLE THAT THE ACCESS RAMP ATTACHED TO THE BUILDING COULD BE 28'-0" AT A SLOPE OF 1:12. ARCHITECT MUST TAKE INTO ACCOUNT THAT THE RAMP SUPPLIED BY MODTECH INC. IS 11'-0" AT A SLOPE OF 1:12. THEREFORE THE ARCHITECT WILL HAVE TO DESIGN AND PROVIDE DETAILS OF RAMP EXTENSIONS AND BOTTOM LANDING DEPENDING ON PARTICULAR SITE CONDITIONS. IN NO WAY IS MODTECH INC RESPONSIBLE FOR ANY RAMP EXTENSION EXCEEDING THE ORIGINAL PLAN AS SHOWN ON THIS SHEET
6. ALL 1 1/4" AND 1 1/2" TUBE STEEL TO BE OF ASTM A500 GRADE A STEEL (Fy = 39 KSI)

HANDRAIL CONNECTION 15

HANDRAIL ATTACHED TO BUILDING (OPTIONAL) 6

RAMP AT LANDING 4

REVISIONS

| NO. | DATE | DESCRIPTION |
|-----|----------|----------------------------|
| 1 | 09/28/00 | MODTECH ENGINEERING CHANGE |
| 2 | | |
| 3 | | |
| 4 | | |
| 5 | | |

Electrical Engineer's Seal
Mechanical Engineer's Seal
Structural Engineer's Seal
Architect's Seal

IDENTIFICATION STAMP
DIV. OF THE STATE ARCHITECT
OFFICE OF REGULATION SERVICES
PC-04
101268
REVISED OCT 0

MODTECH INC.
2830 BARRETT AVENUE
PERRIS, CALIF. 92572
PH (909) 943-4014
FAX (909) 940-0427

PROJECT NUMBER: 4134, 4153, 4173, 4203 © MODTECH, INC. 2001
4207, 4215, 4250
4284, 4302, 4350
4304, 4347, 4373, 4422
4506

RAMP/LANDING

STRP-62

DRAWN BY: M. ANDERSEN
DATE: APR 15 2002
CHECKED BY: 4012-121
DATE: 04-16-02

R1.01

FILE PATH: 2440-4134.DWG PROJECT NO. 4134-4207 PC-04-101268