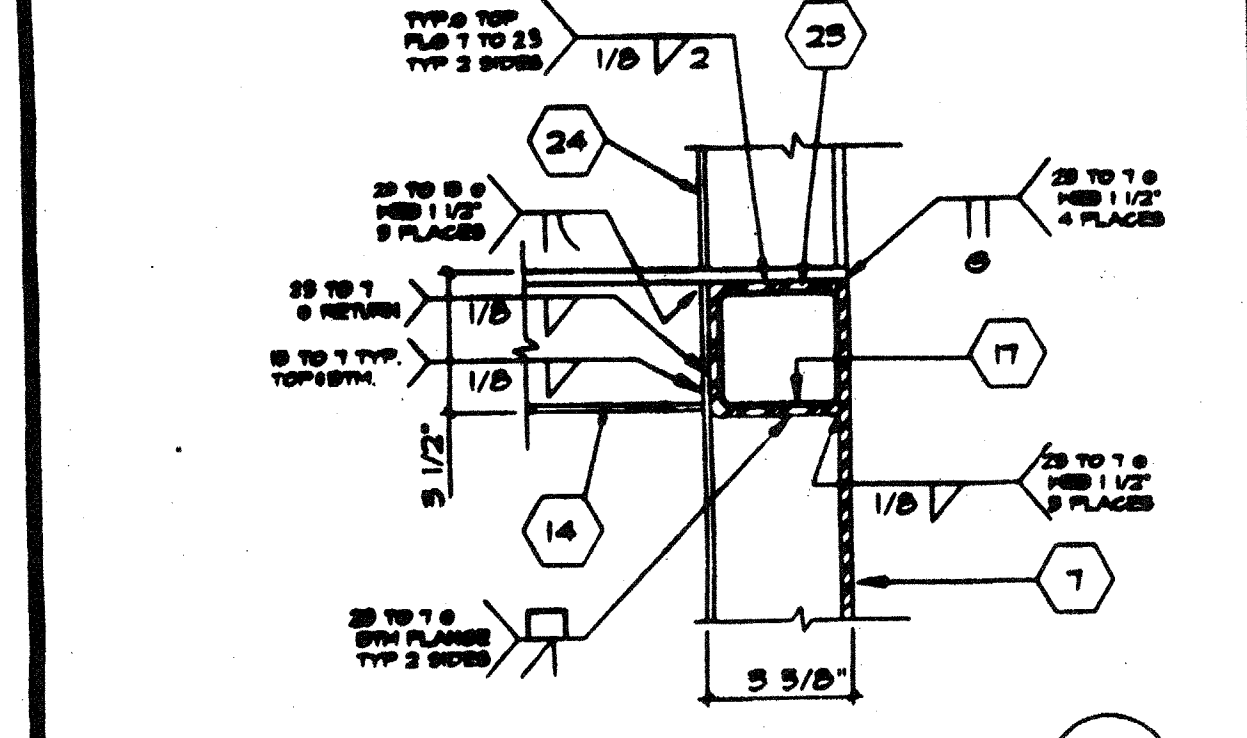
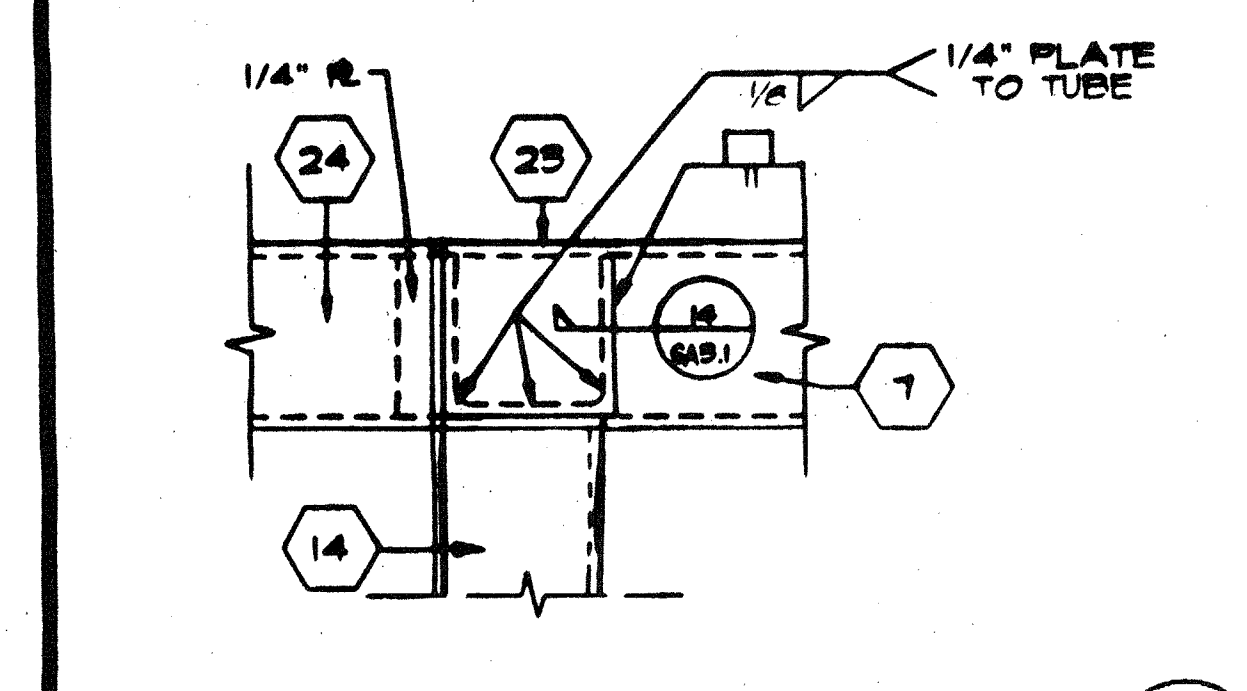


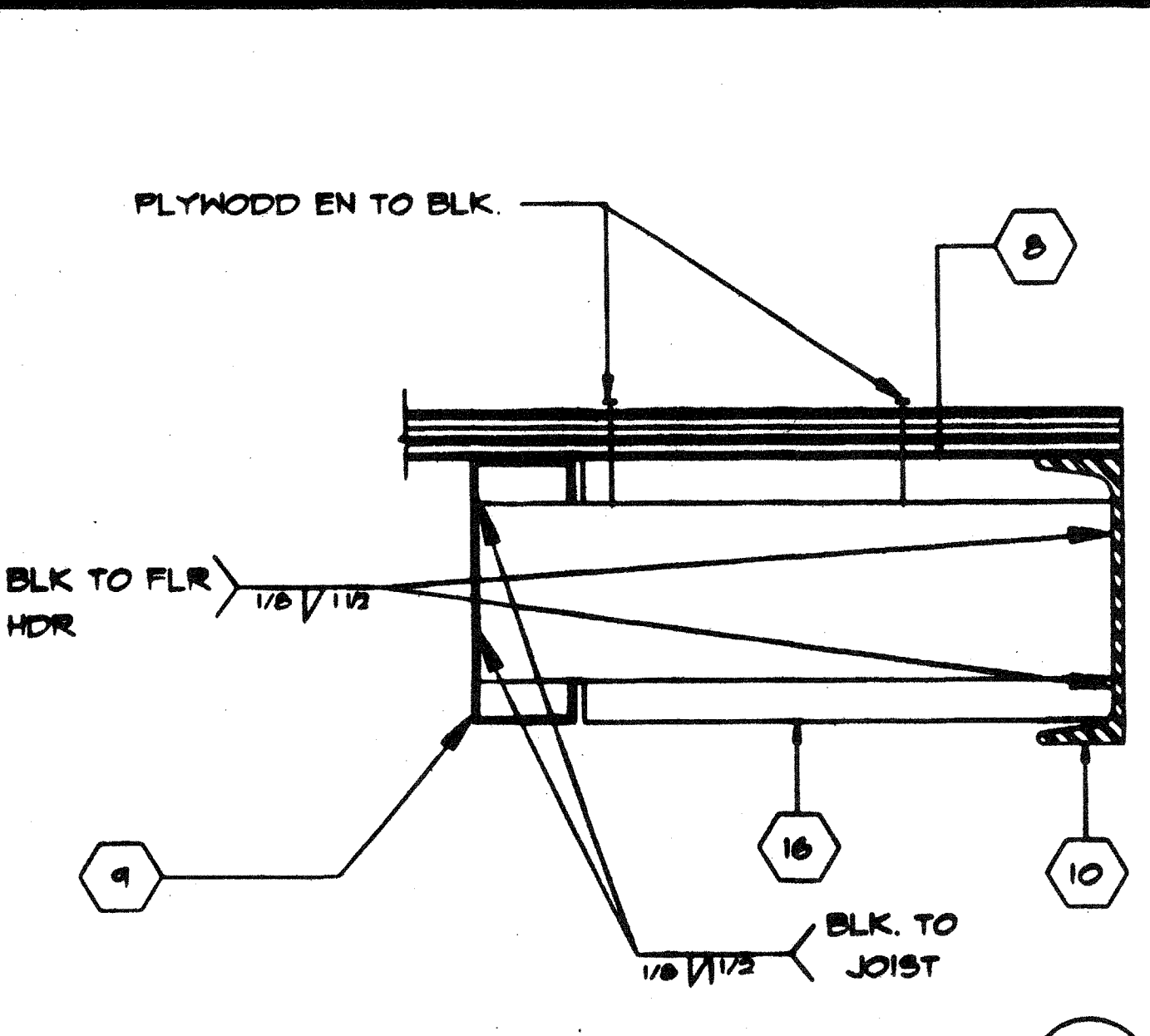
SCALE: 5"=1" **10**
ROOF HEADER @ FRONT OVERHANG



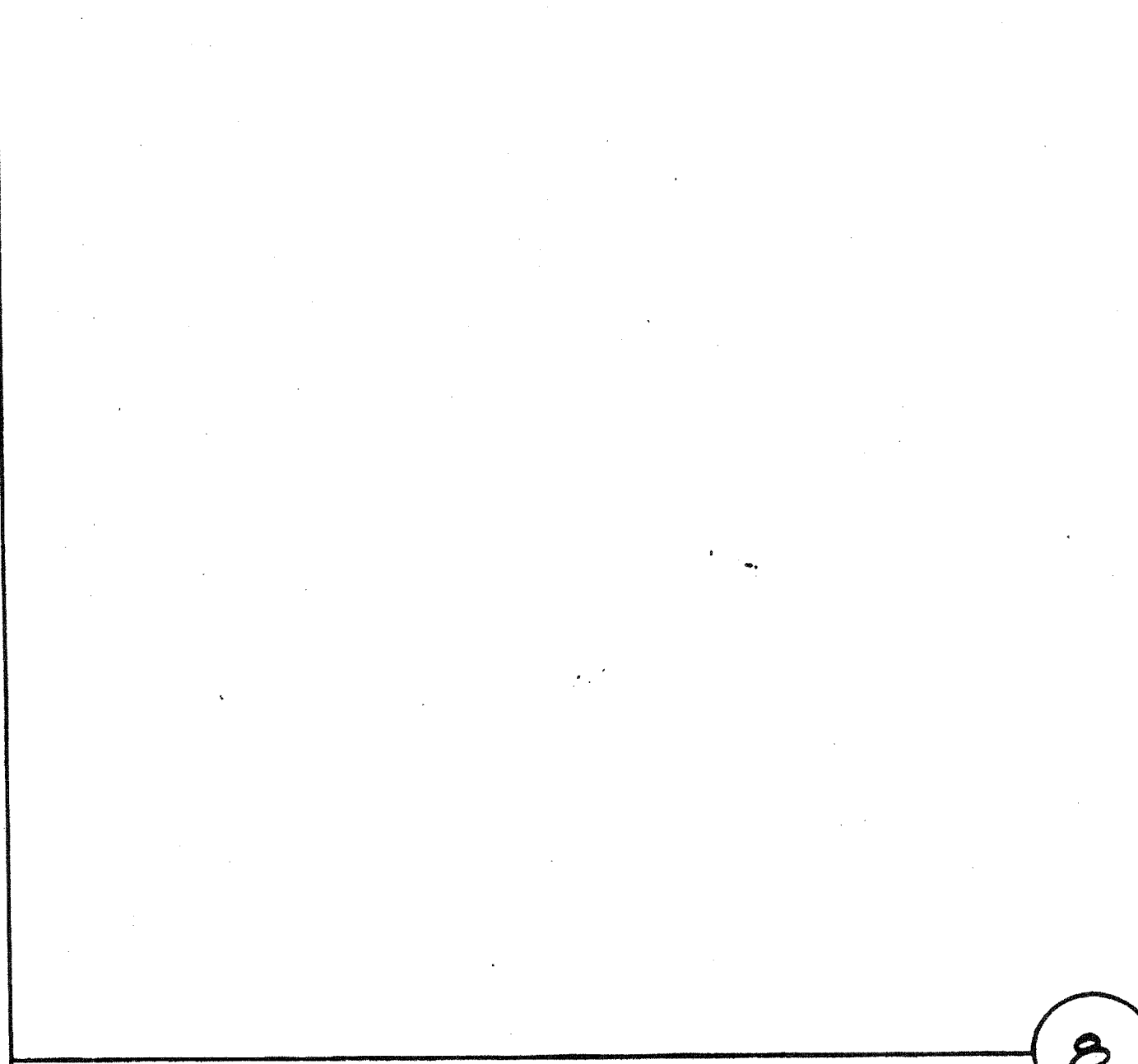
SCALE: NTS **11**
STIFFENER SECTION @ FRONT



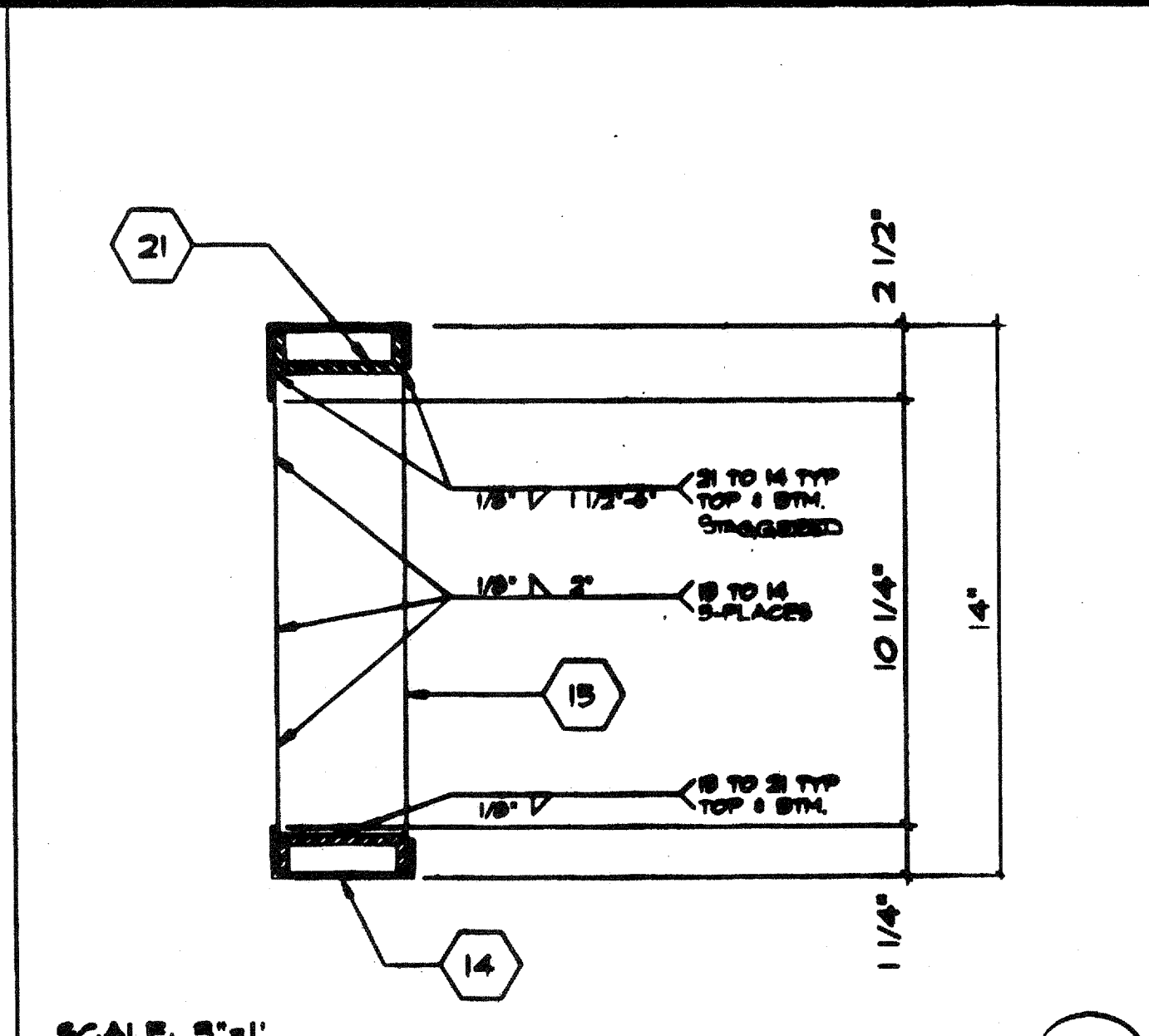
SCALE: 5"=1" **12**
COLUMN CAP PLATE



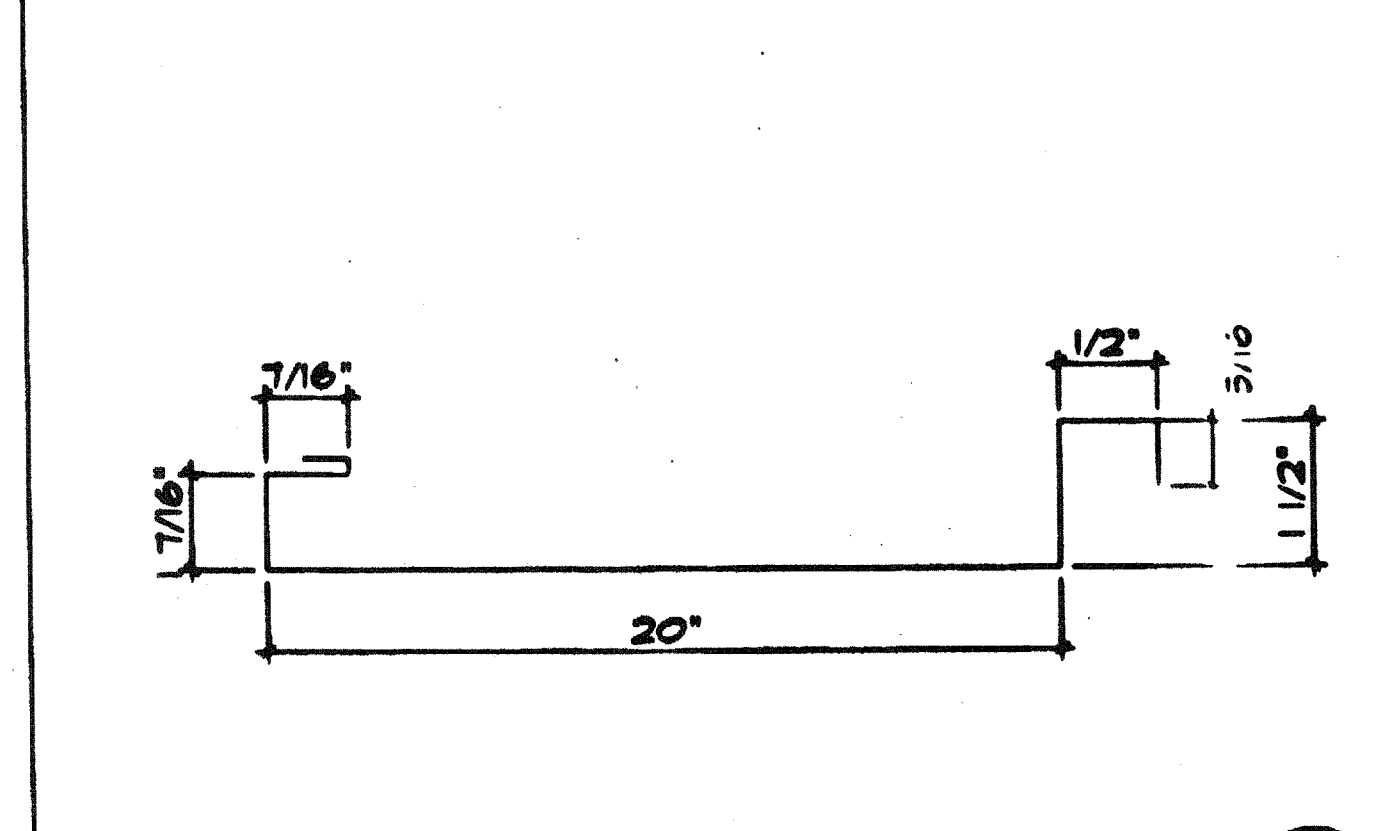
SCALE: 5"=1" **7**
BLOCK @ MIDSPAN



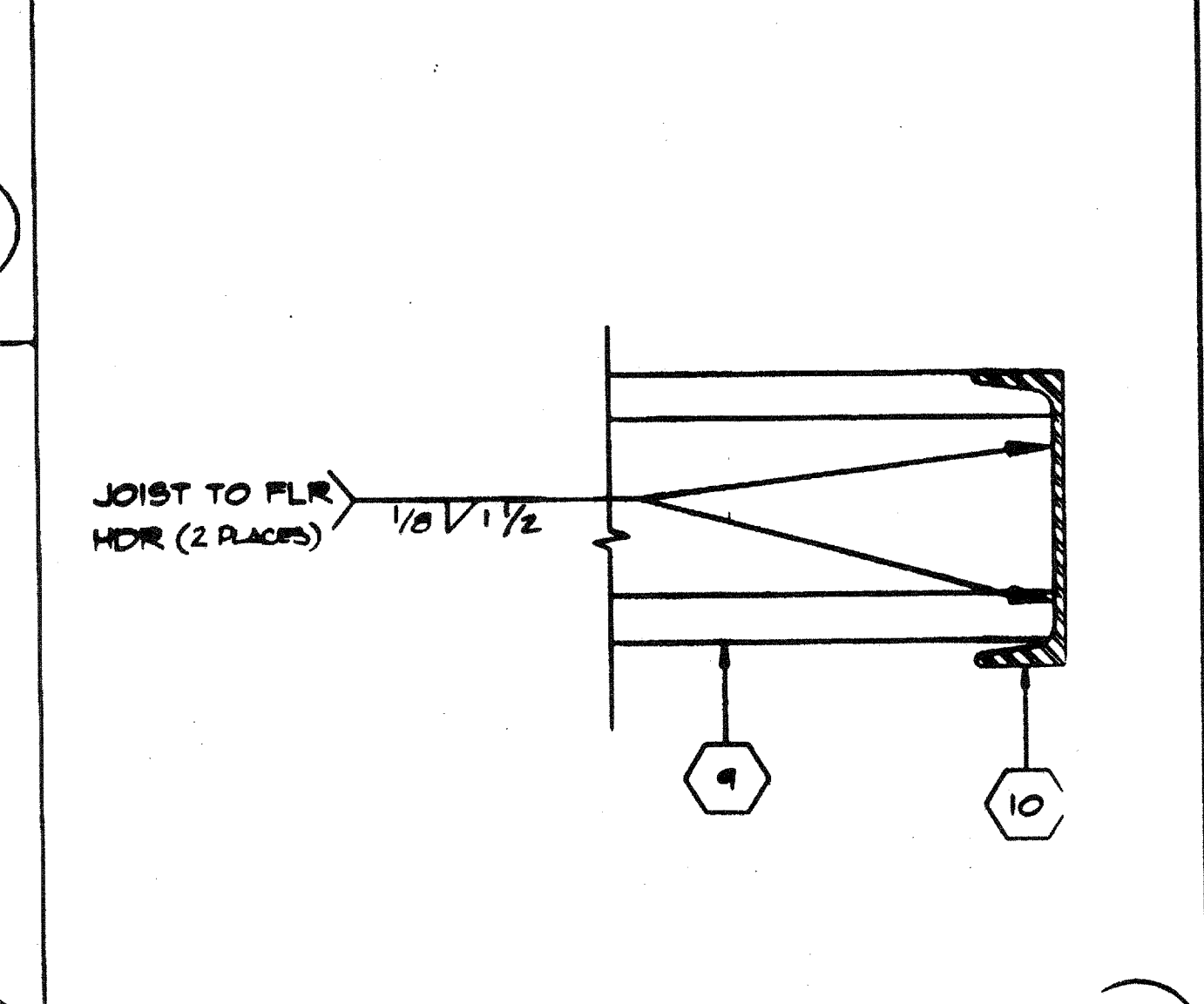
8



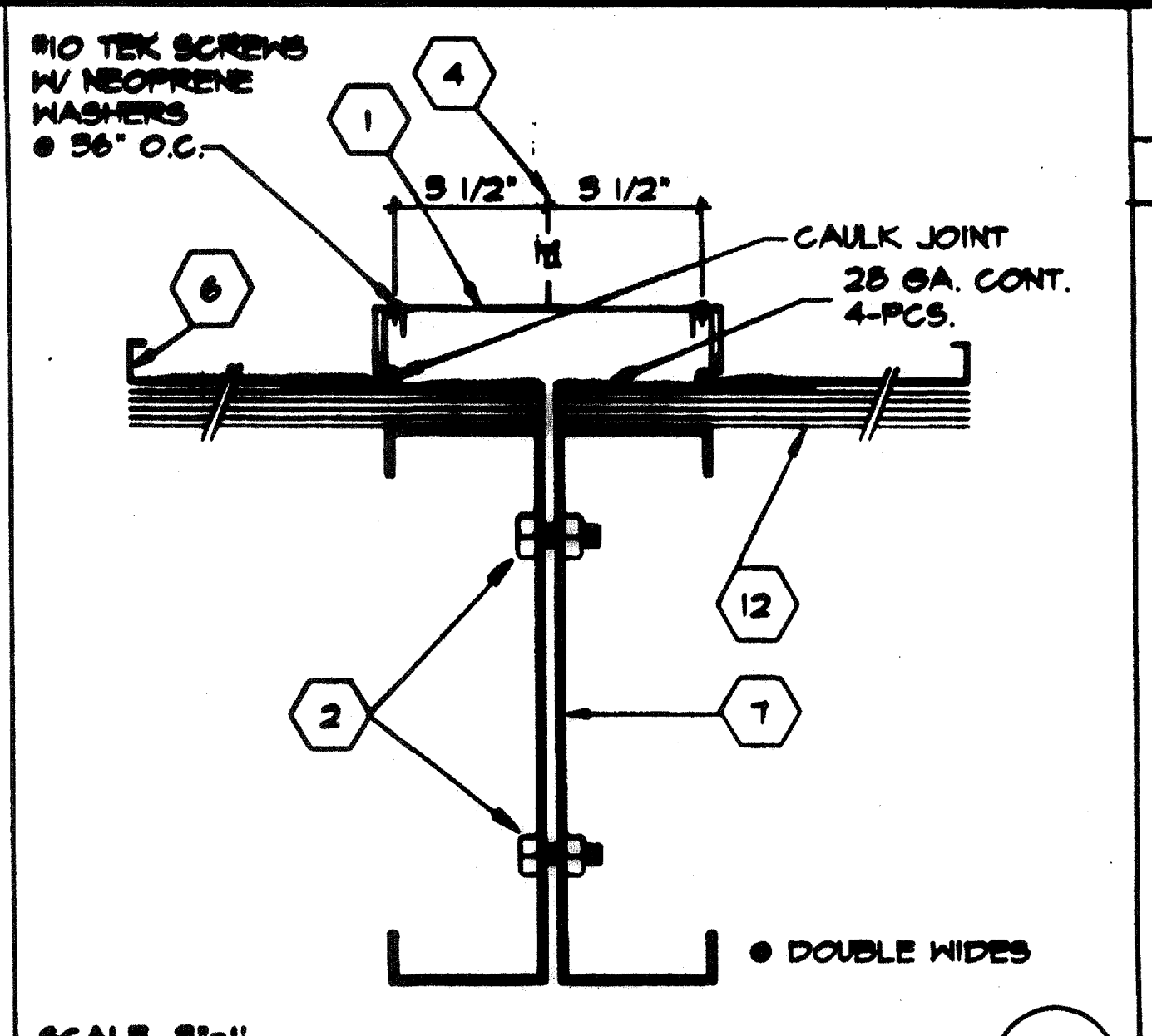
SCALE: 5"=1" **4**
MECH. DUCT OPENING IN HEADER



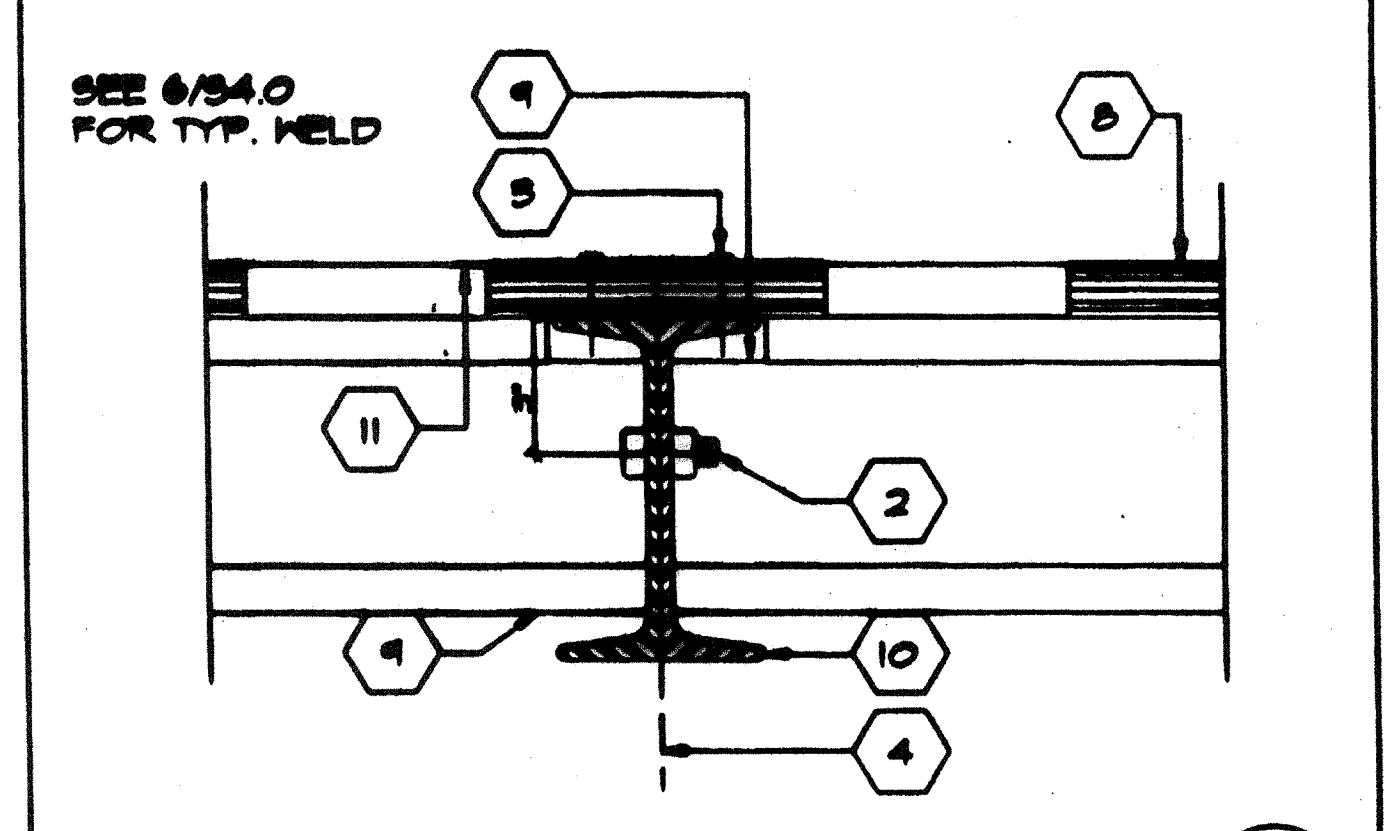
SCALE: NTS **5**
ROOF PAN (26GA.)



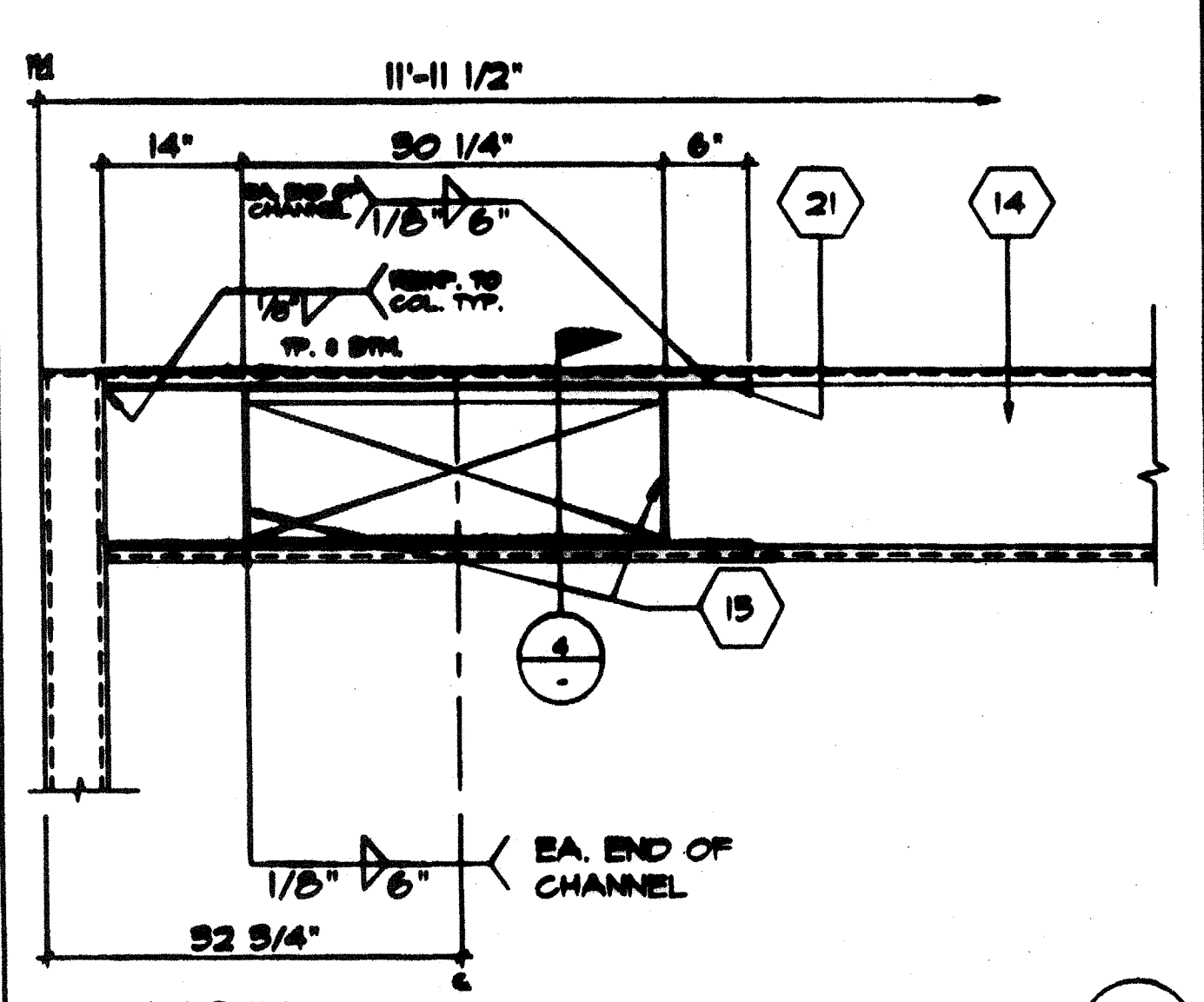
SCALE: 5"=1" **9**
FLOOR FRAME/JOIST TO BEAM



SCALE: 5"=1" **1**
ROOFING @ MODLINE



SCALE: 5"=1" **2**
MODULE JOINT @ FLR.



SCALE: 1"=1' **3**
ELEVATION-OPENING

- KEY NOTES**
- 1 CAP CLOSURE @ RIDGE 28GA. GALV. W/10 TYPE FASTENERS W/NEOPRENE WASHERS TO RID BOTH SIDES OF MODLINE. SET CAP IN SEALANT SEE DETAIL-
 - 2 5/8" M.B. A307 MODULE JOINT (SEE STRUCTURAL PLAN FOR LOCATION) @ 8' O.C.
 - 3 E.N.
 - 4 MODULE JOINT
 - 5 1/4" @ 8' O.C. FULL DEPTH STIFFENER PLATE (SEE 4/55.1)
 - 6 STANDING ROOF SEAM (SEE A2.0)
 - 7 ROOF BEAM (SEE STRUCTURAL) SEE 5/55.1 & 12/55.1
 - 8 PLYWOOD FLOOR SHEATHING
 - 9 FLOOR JOIST 6/55.1
 - 10 FLOOR BEAM (SEE STRUCTURAL 5/55.1)
 - 11 HAND HOLE @ BOLT LOCATION
 - 12 PLYWOOD ROOF SHEATHING
 - 13 NOT USED
 - 14 ROOF HEADER (SEE STRUCTURAL 1/55.1)
 - 15 1/4" STIFFENER PLATE SEE 4/55.1 FOR TYP. WELD
 - 16 "C" BLOCKING SEE 6/55.1
 - 17 IOGA. BACK-UP R.
 - 18 NOT USED
 - 19 NOT USED
 - 20 NOT USED
 - 21 5 1/4"X1"X30 1/4" LXIOGA. CHANNEL TOP & BOTTOM CENTER OF OPENING
 - 22 NOT USED
 - 23 TUBE STEEL (SEE 11/55.1) STIFFENER COPE TO FIT ROOF BEAM.
 - 24 ROOF BEAM AT OVERHANG SEE 4/55.1

REVISIONS

ELECTRICAL	MECHANICAL	STRUCTURAL	ARCHITECT	DIVISION OF THE STATE ARCHITECT

MODTECH INC.
 2830 BARRETT AVE.
 PERRIS, CA. 92572
 PH. (909) 943-4014
 FX. (909) 940-0427

CONFIDENTIAL - THIS DOCUMENT AND THE INFORMATION CONTAINED HEREIN ARE THE PROPERTY OF MODTECH INC. UNAUTHORIZED COPYING, DISCLOSURE, OR OTHER UNAUTHORIZED USES ARE PROHIBITED.

JOB NO. # 2510 #2514 #2515

IDENTIFICATION STAMP
 DIV. OF THE STATE ARCHITECT
 APR03 110574
 AC PLS. W/Spec
 DATE SEP 23 2015

DATE 2/2/94
 CHECKED BY
 DATE

STRUCTURAL DETAILS **S4.0**