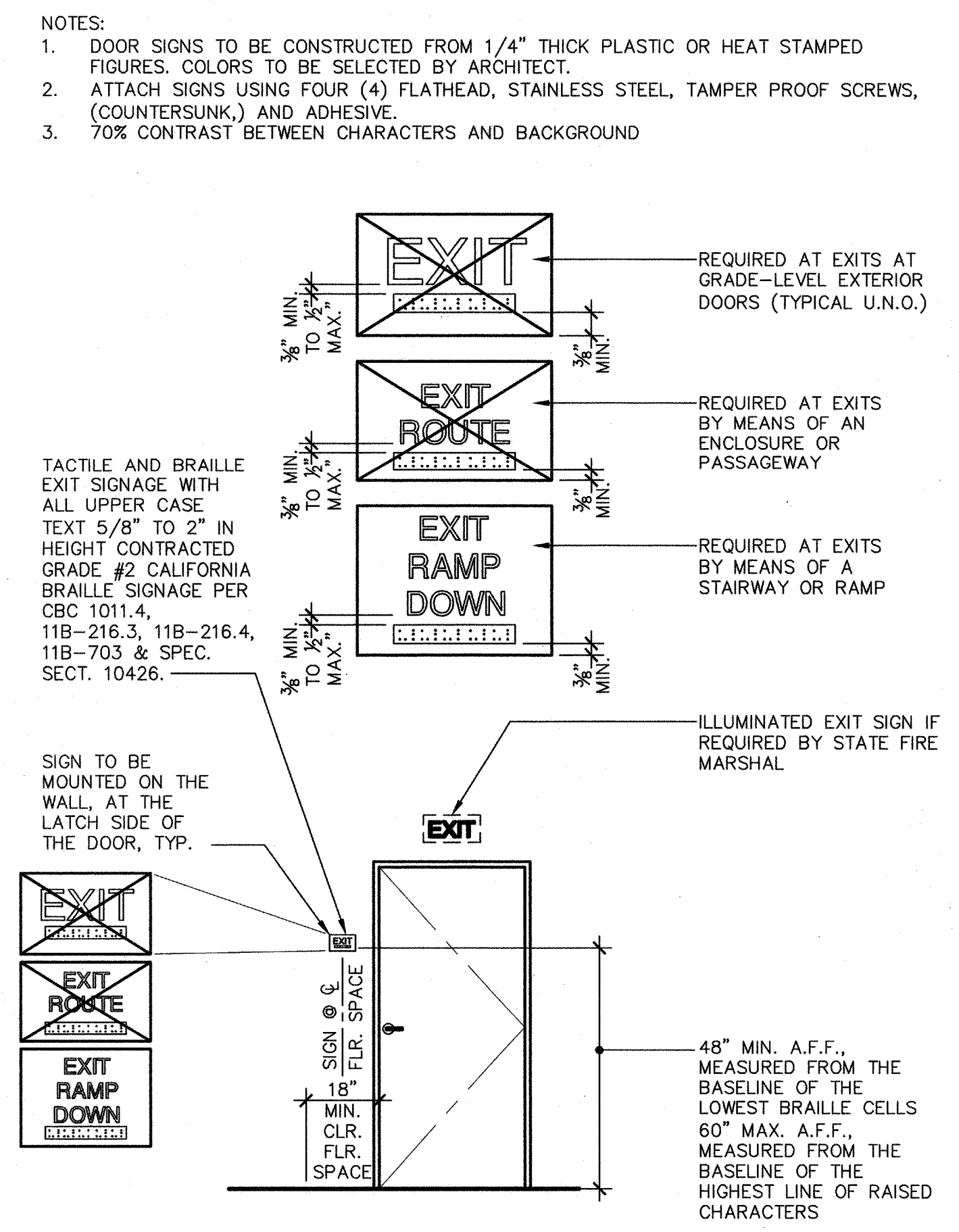


- NOTES:
- SIGNS TO BE CONSTRUCTED FROM 16 GA. METAL, PAINTED WITH BLUE ENAMEL FINISH WITH ISA SYMBOL, TEXT AND DIRECTIONAL ARROW IN A CONTRASTING COLOR
 - WHERE APPLICABLE, ATTACH SIGNS TO 2" Ø GALV. STL. PIPE WITH TAMPER RESISTANT HARDWARE

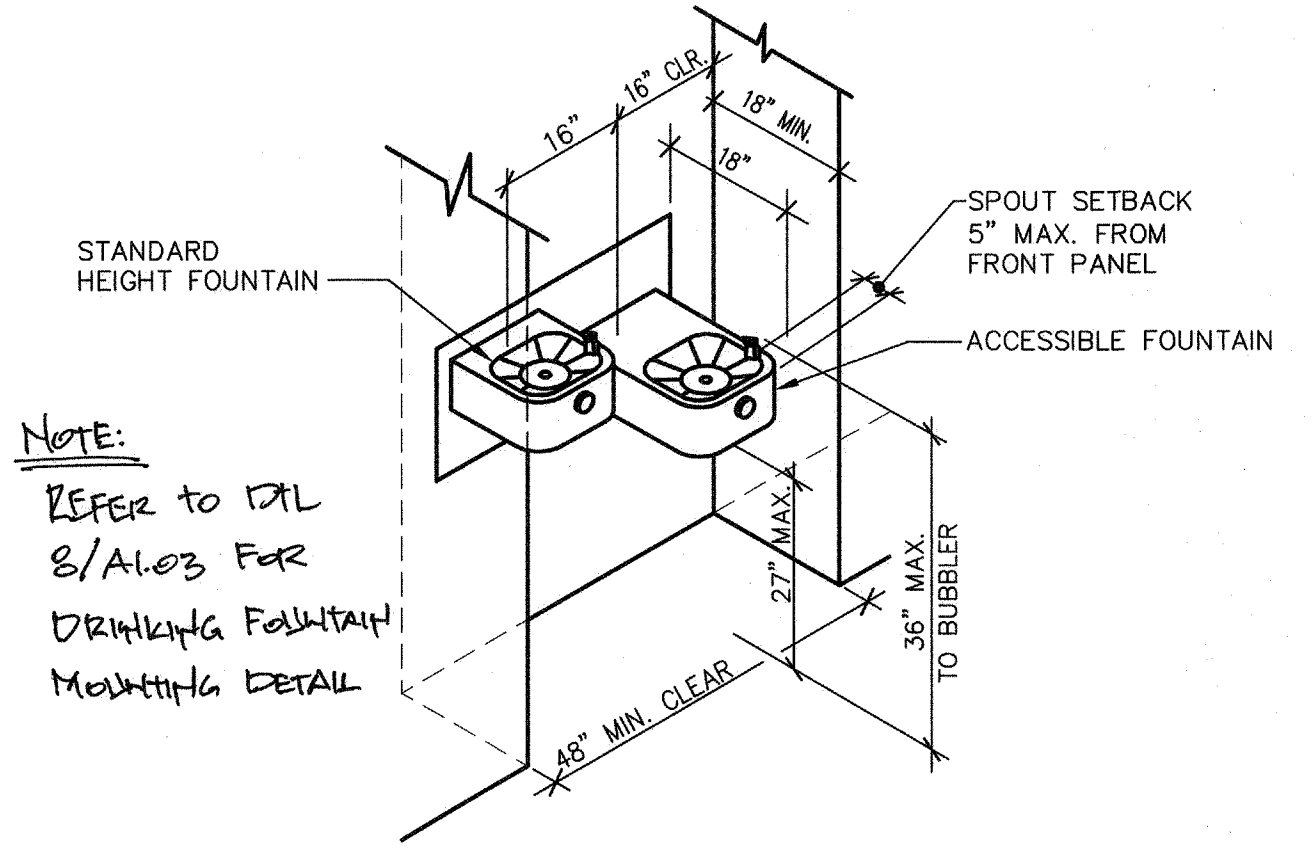
SIGNAGE TO COMPLY WITH CBC 11B-216.3, 11B-703.5

6 ACCESSIBLE RESTROOM DIRECTIONAL SIGNAGE
 ADA100-04 SCALE: 3" = 1'-0"

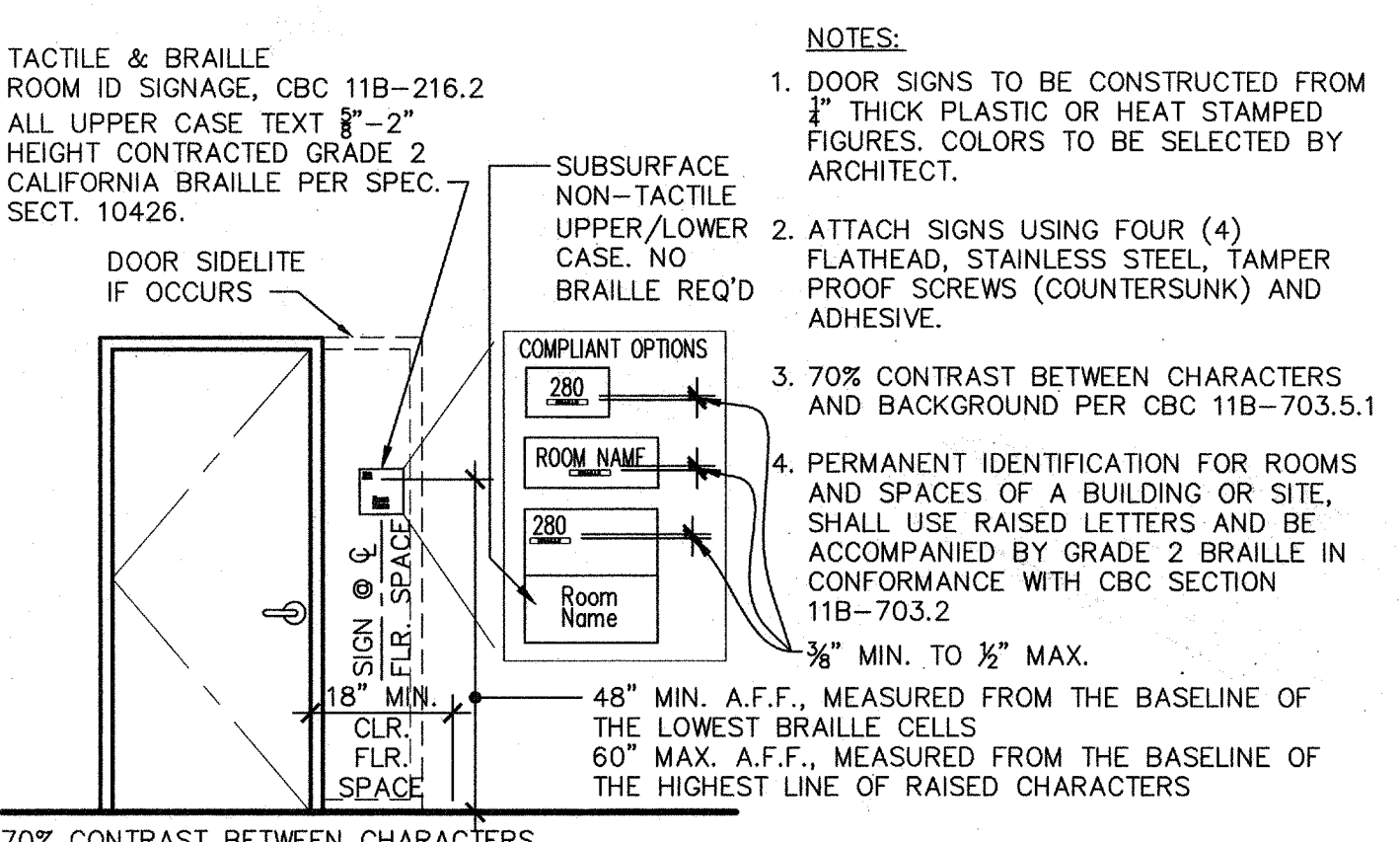


- NOTES:
- DOOR SIGNS TO BE CONSTRUCTED FROM 1/4" THICK PLASTIC OR HEAT STAMPED FIGURES. COLORS TO BE SELECTED BY ARCHITECT.
 - ATTACH SIGNS USING FOUR (4) FLATHEAD, STAINLESS STEEL, TAMPER PROOF SCREWS, (COUNTERSUNK) AND ADHESIVE.
 - 70% CONTRAST BETWEEN CHARACTERS AND BACKGROUND

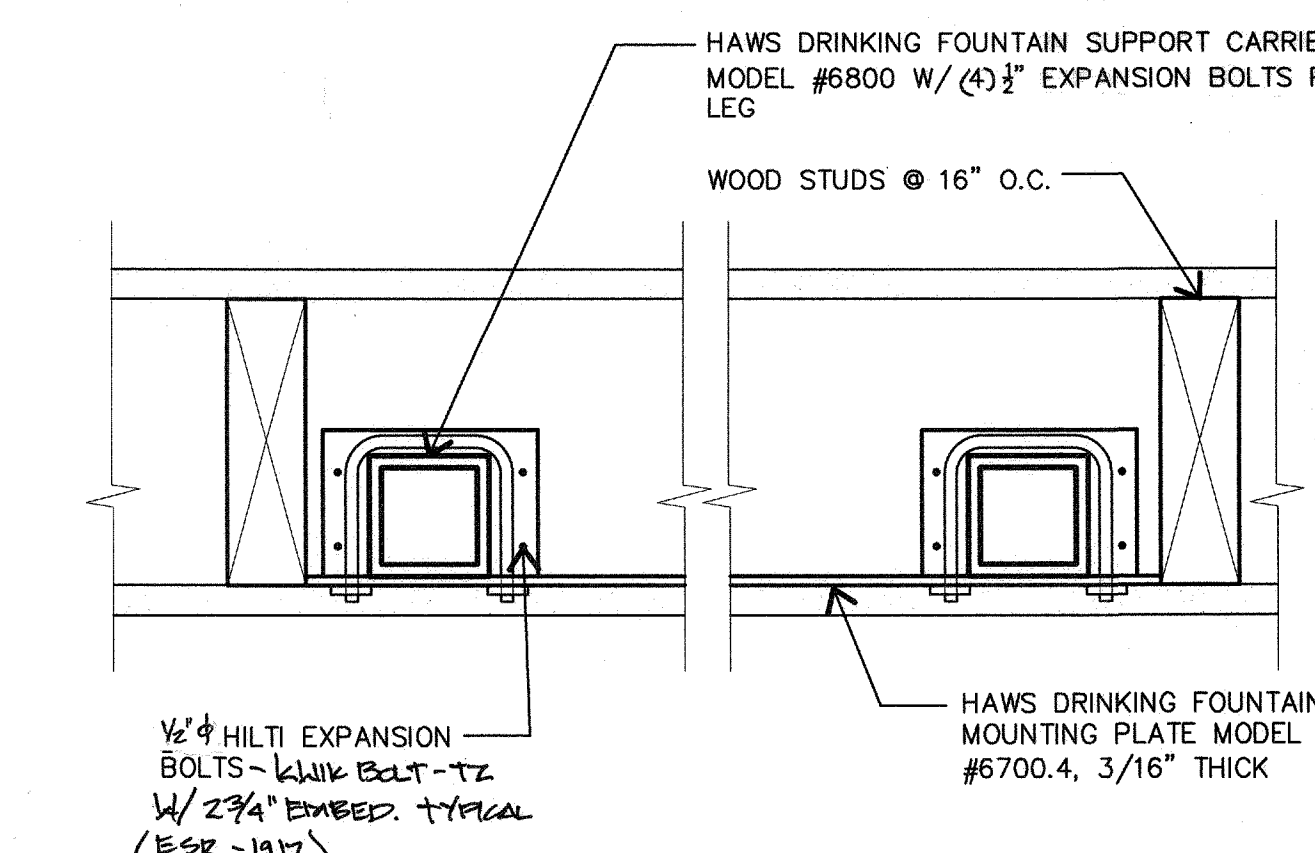
2 TYPICAL EXTERIOR DOOR SIGNAGE
 ADX200-01 SCALE: 3/8" = 1'-0"



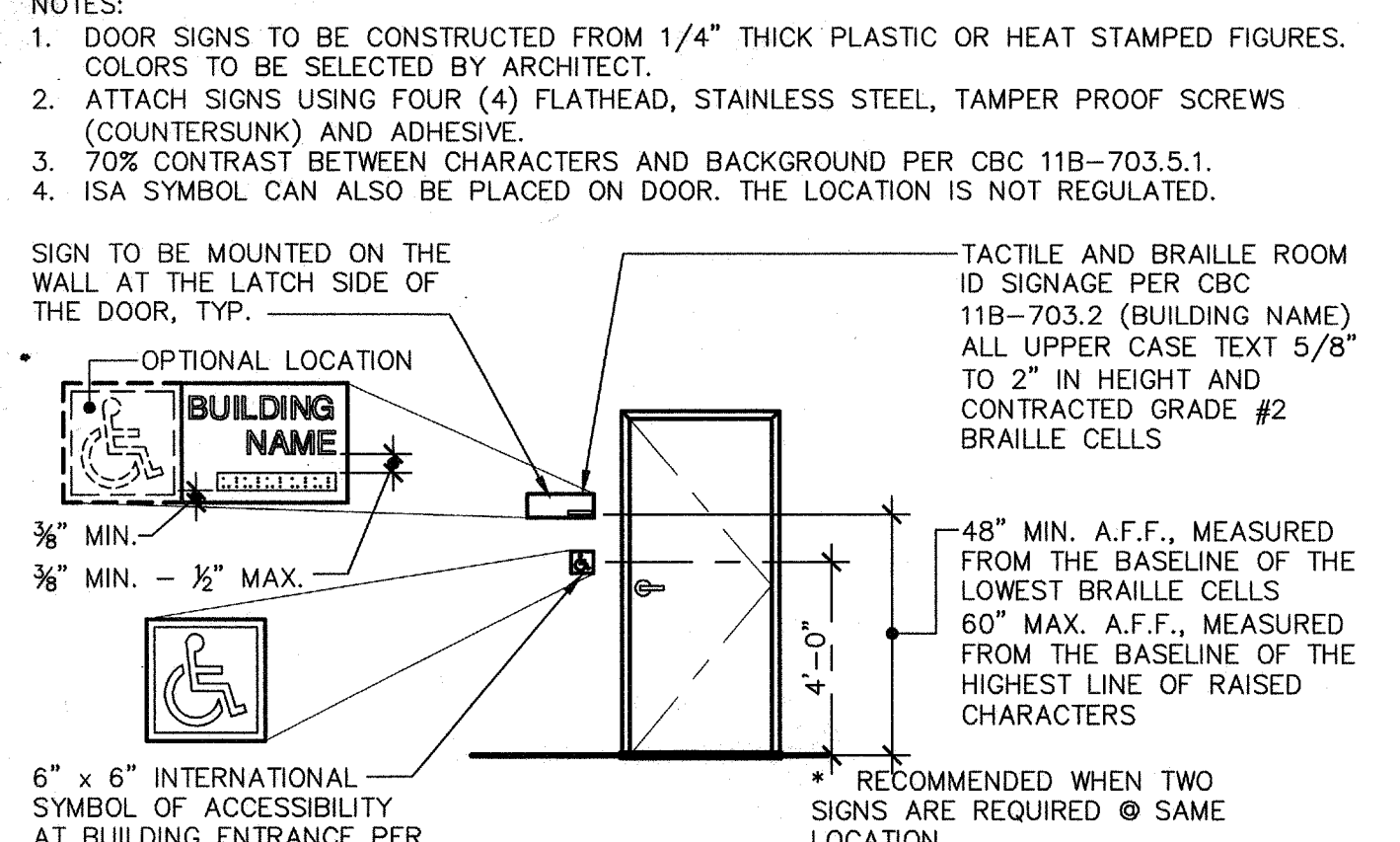
7 HI-LOW DRINKING FOUNTAIN
 ADA000-15 SCALE: 1/2" = 1'-0"



3 ROOM ID SIGNAGE
 ADX100-01 SCALE: NO SCALE



8 DRINKING FOUNTAIN SUPPORT
 A1.03 SCALE: 3" = 1'-0"



4 BUILDING ENTRANCE/ISA SIGNAGE
 ADA100-01 SCALE: 1/4" = 1'-0"

Ownership of Documents
 This document, the ideas and designs incorporated herein, as an instrument of Professional Service is the property of Integrated Designs by SOMAM, Inc. and is not to be used, in whole or in part for any other project without written authorization.
 © COPYRIGHT 2015

integrated designs by SOMAM, Inc.
 ARCHITECTURE · ENGINEERING · INTERIOR DESIGN · CONSTRUCTION MANAGEMENT
 6011 N. Fremont, Suite 130 - Fresno, California 93710
 Phone (559) 438-0881 Fax (559) 438-0887 E-Mail: design@somam.com
 www.integrateddesigns.com

Rev. No.	Date	Description

SITE DETAILS

4 RELOCATABLE CLASSROOMS
 MUNSEY ELEMENTARY SCHOOL
 BAKERSFIELD CITY SCHOOL DISTRICT
 3801 BRAVE AVENUE BAKERSFIELD, CA 93307

Issue Date: 9/23/15
 Date: 09/21/15
 Designer: [Signature]
 DR: [Signature]
 PC: JMF

Agency Approval Stamp:
 IDENTIFICATION STAMP
 DW OF THE STATE ARCHITECT
 APP03 110574
 AC [Signature]
 DATE: SEP 23 2015

Stamp(s):

Job No.: **5156**

Sheet No.: **A1.03**

Release: -