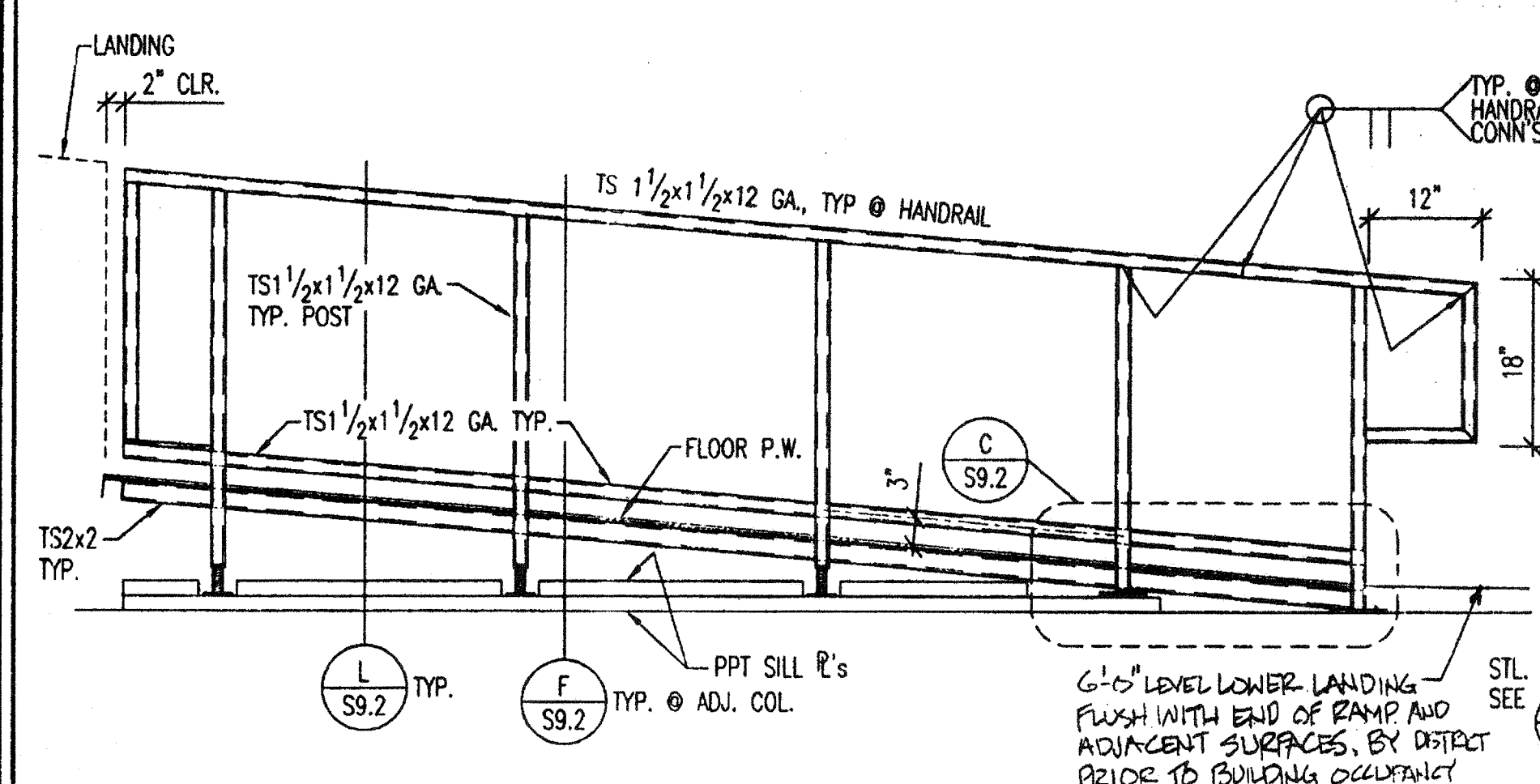
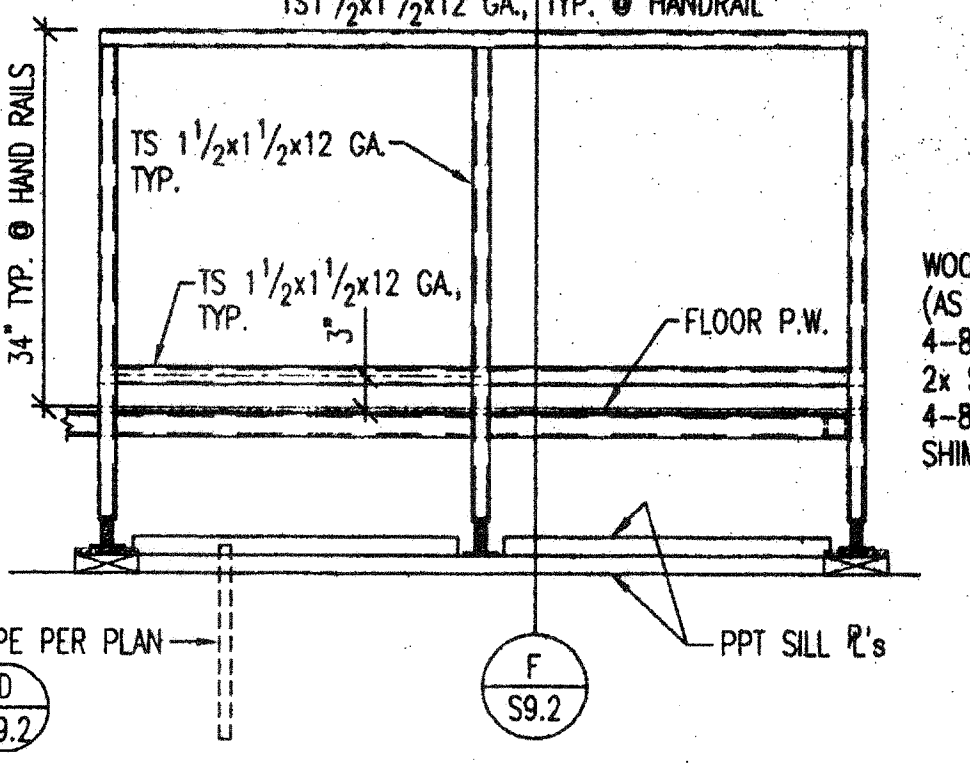


REVISIONS	BY
5-22-97	BD
6-30-97	BD

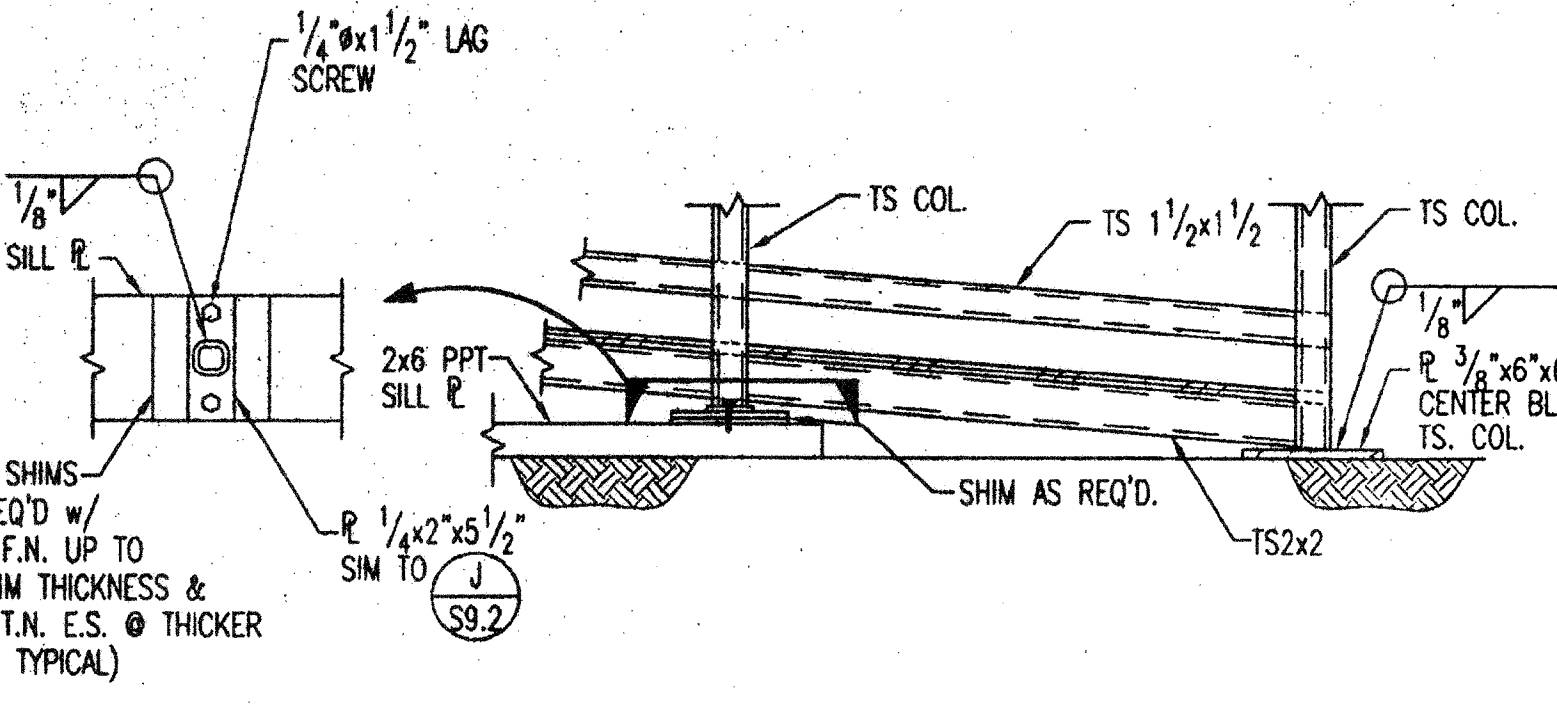
NOTE: CLOSE ALL OPEN ENDS OF TS MEMBERS w/ 12 GA. CLOSURE P. & SEAL WELD ALL AROUND OR EQUIVALENT PLASTIC WATERPROOFING INSERT - TYPICAL @ ALL LOCATIONS @ RAMP & LANDING



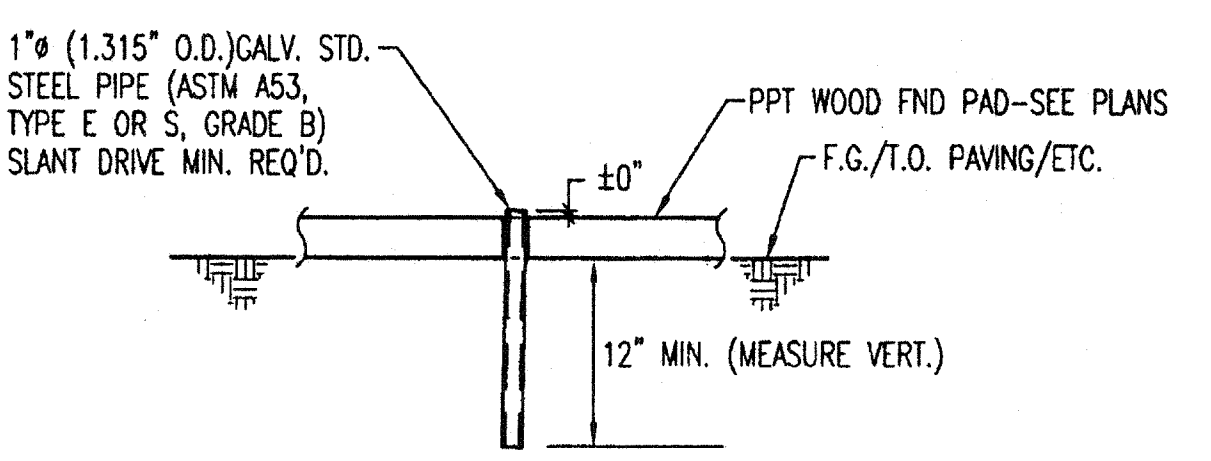
A RAMP ELEVATION
SCALE: 3/4" = 1'-0"



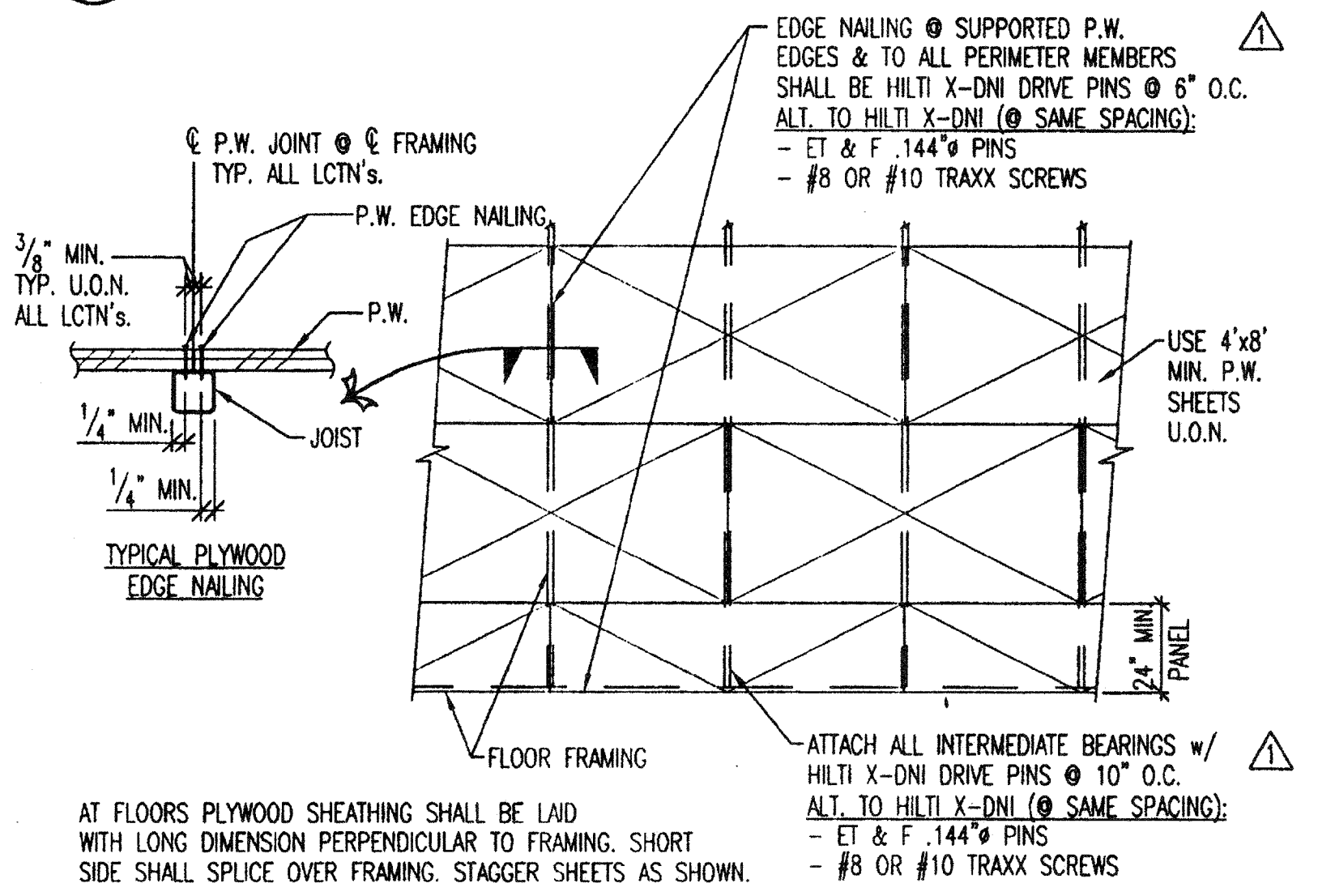
B LANDING ELEVATION
SCALE: 3/4" = 1'-0"



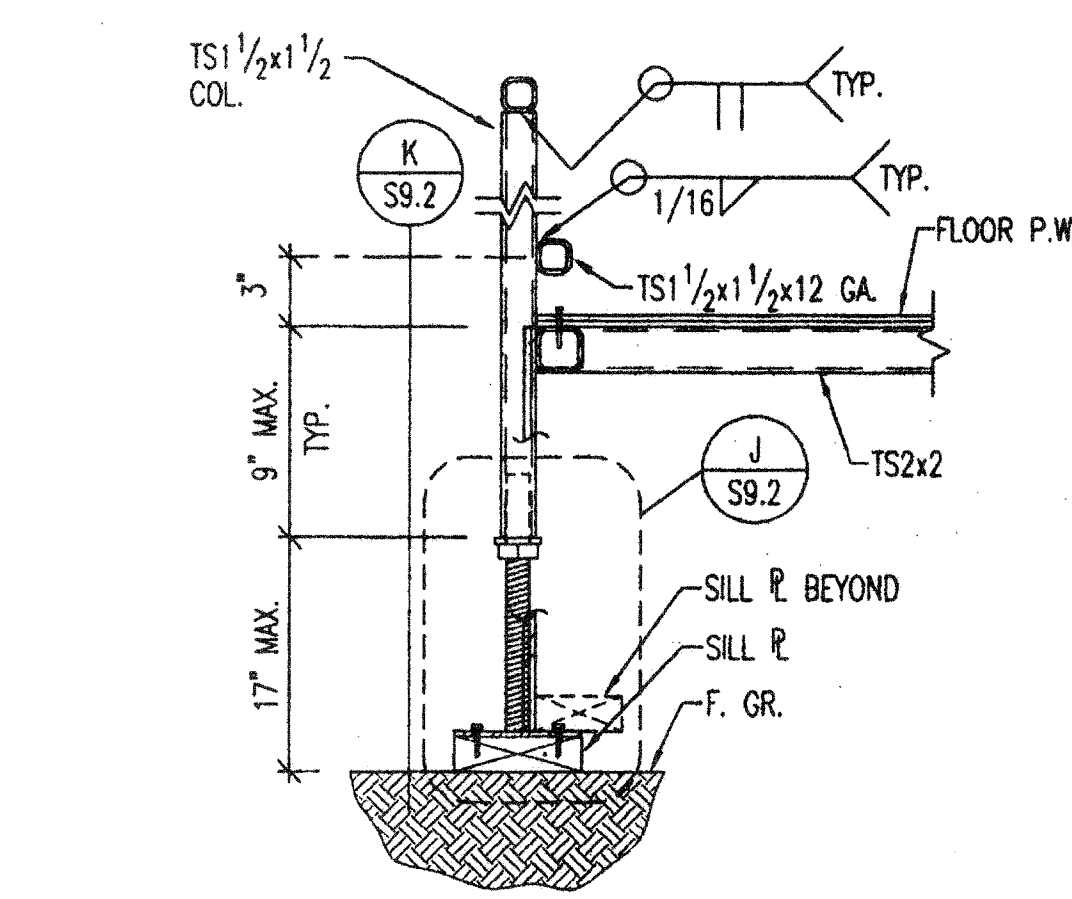
C DETAIL - PARTIAL RAMP ELEVATION
SCALE: 1 1/2" = 1'-0"



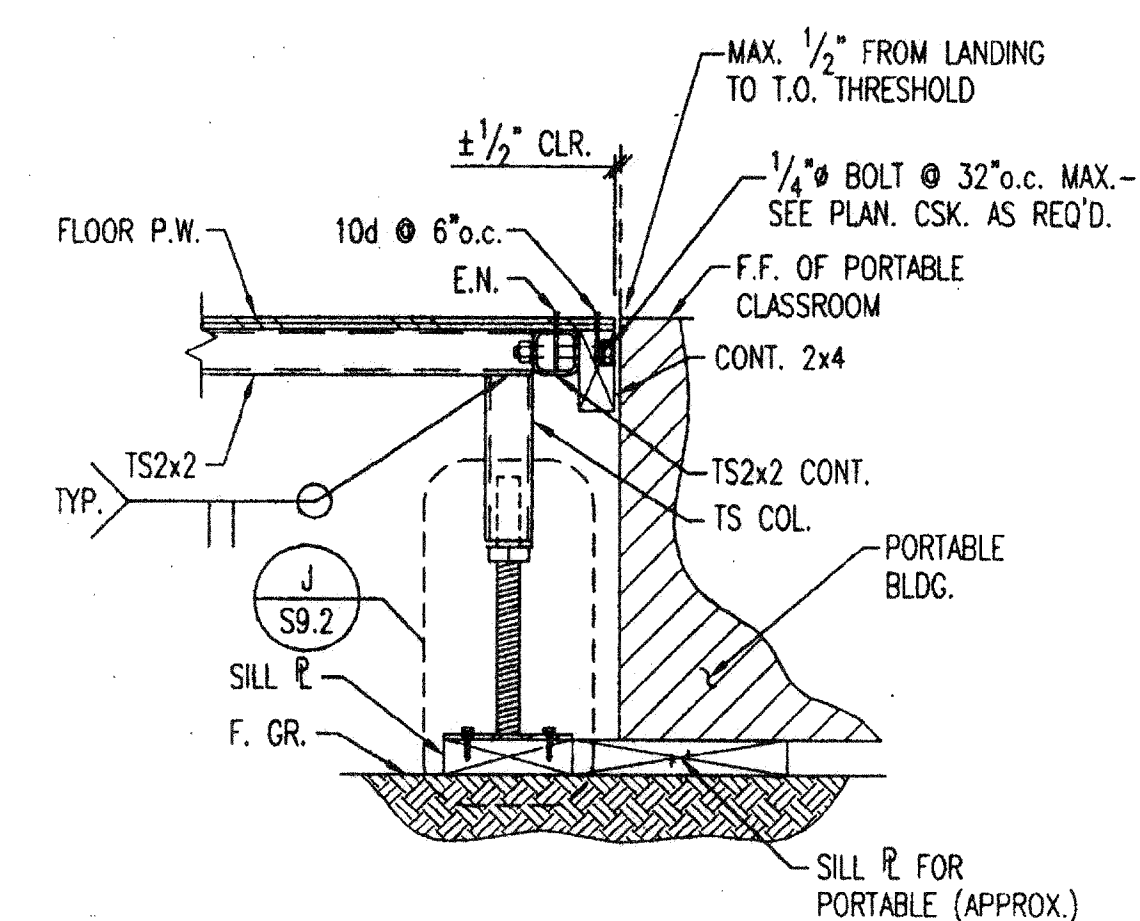
D TYPICAL PIPE RESTRAINT DETAIL
N.T.S. (SEE PLANS ABOVE FOR LOCATIONS)



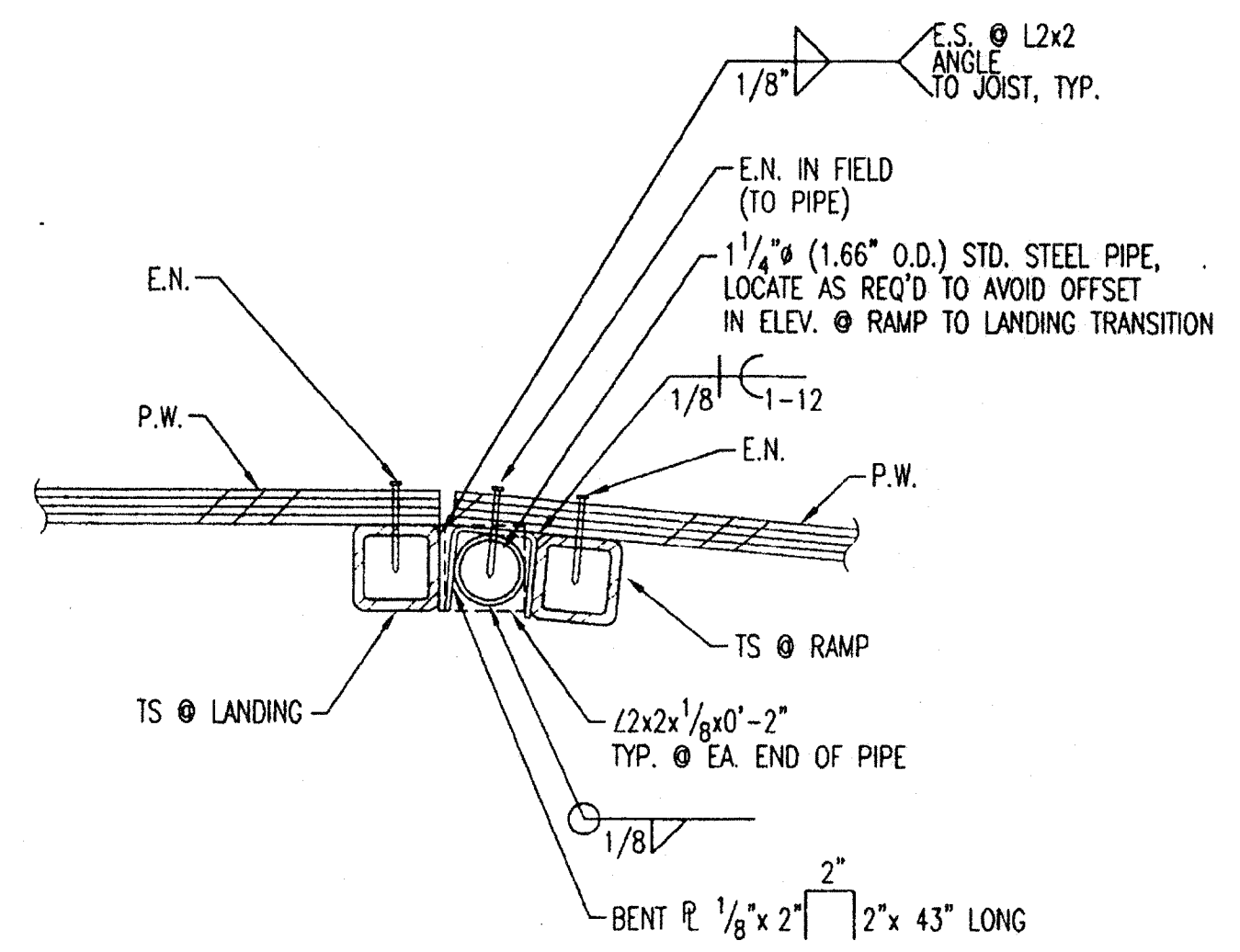
E TYP. P.W. FLOOR SHEATHING DETAIL
N.T.S.



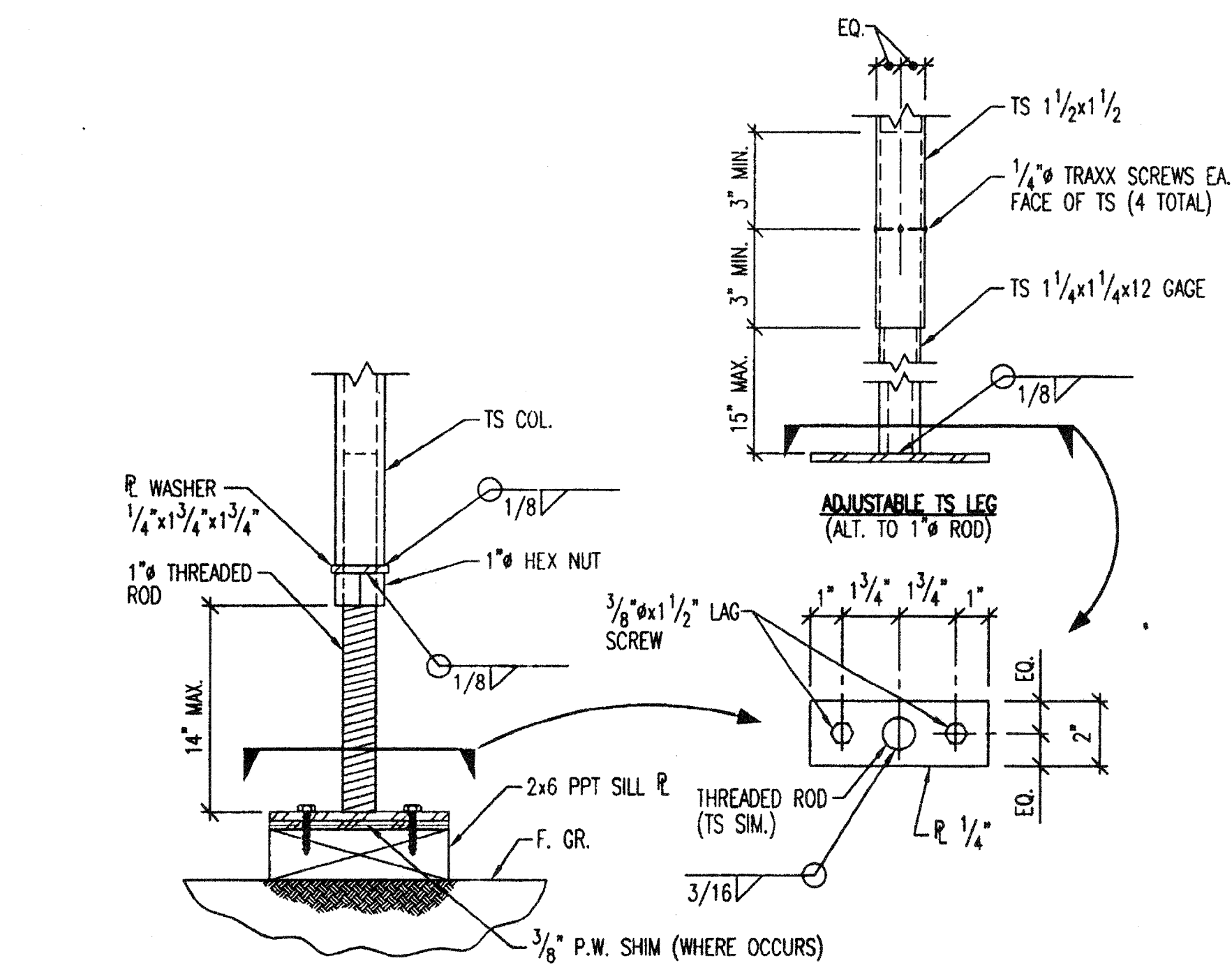
F DETAIL - TYP. POST CONNECTION
SCALE: 1 1/2" = 1'-0"



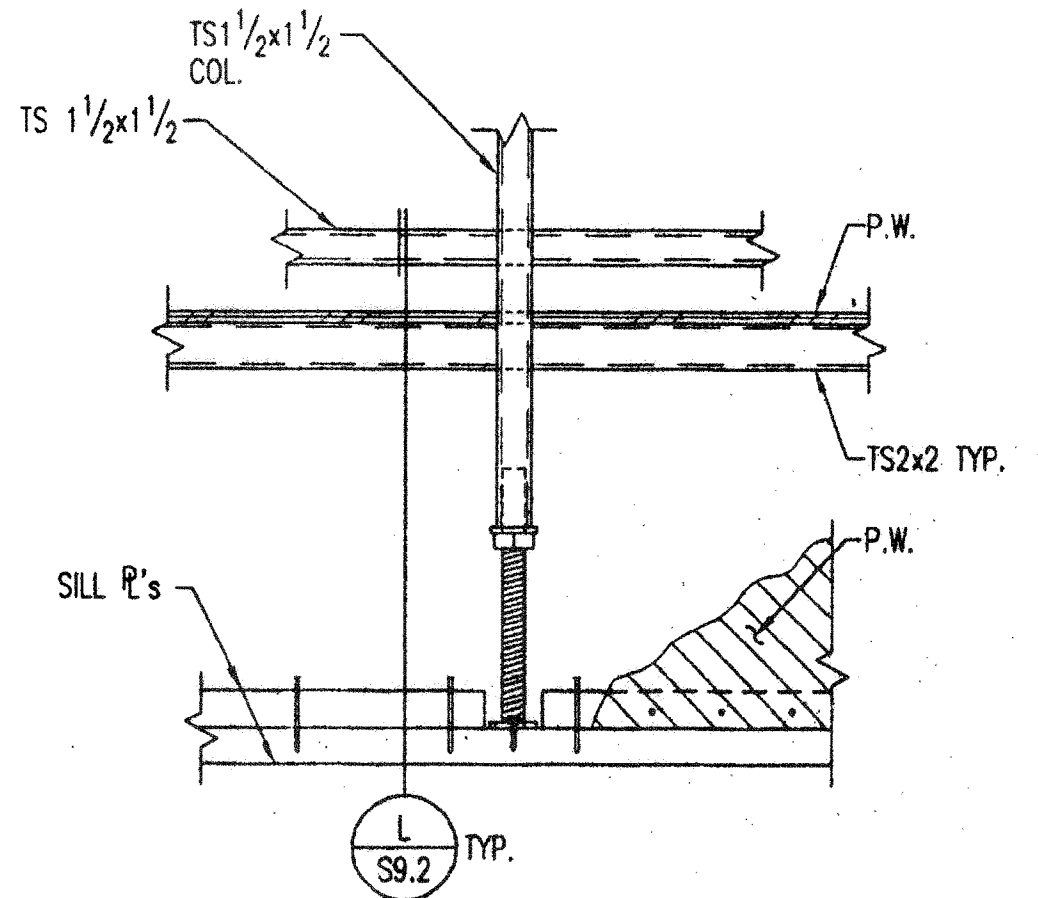
G DETAIL-END OF LANDING @ PORTABLE BLDG.
SCALE: 1 1/2" = 1'-0"



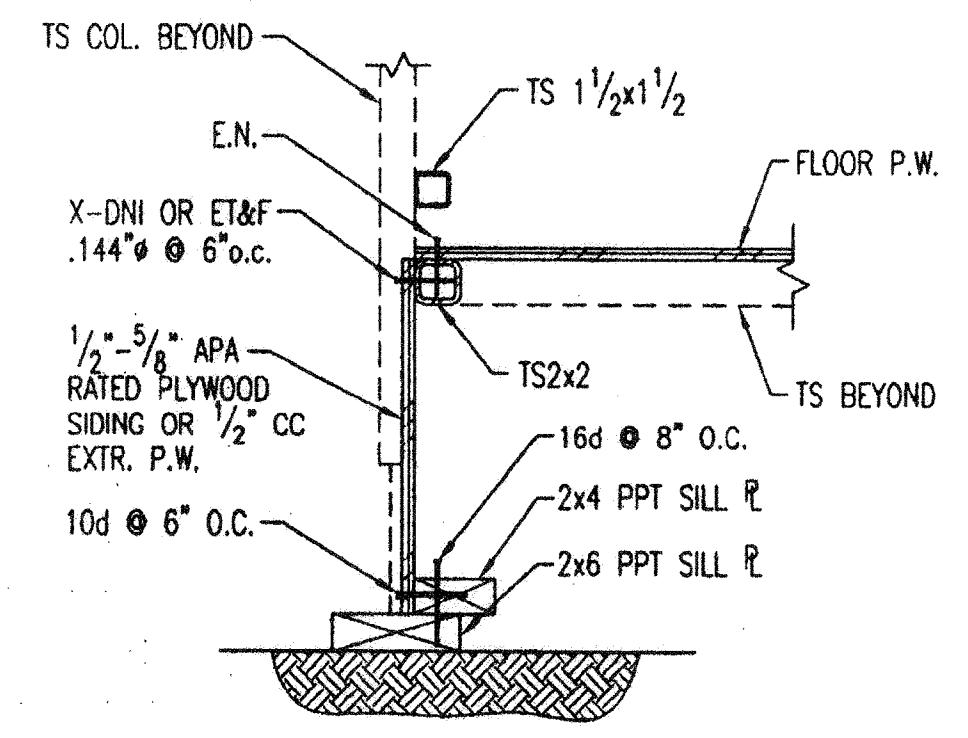
H DETAIL-RAMP TO LANDING CONNECTION
SCALE: 3" = 1'-0"



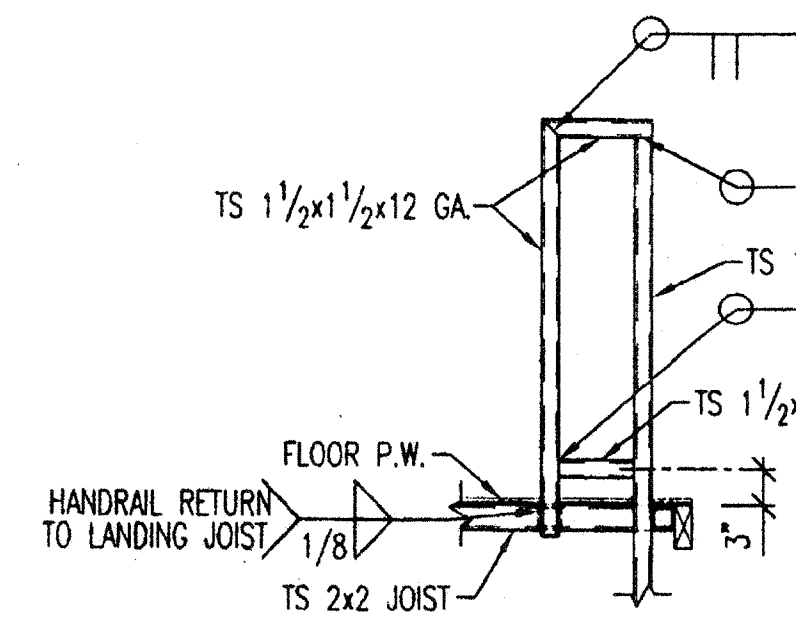
J DETAIL-ADJUSTABLE LEG @ BASE
SCALE: 3" = 1'-0"



K DETAIL - POST CONN. @ BASE
SCALE: 1 1/2" = 1'-0"



L DETAIL - TYP. SIDE OF RAMP/LANDING
SCALE: 1 1/2" = 1'-0"



M LANDING HANDRAIL @ RAMP
SCALE: 3/4" = 1'-0"

FILE # 15-6
IDENTIFICATION STAMP
DIV. OF THE STATE ARCHITECT
OFFICE OF REGULATION SERVICES
03-118272
AC. FLS. SS. *ll*
DATE NOV - 8 2017
TRACKING #: 63321-292

IDENTIFICATION STAMP
DIV. OF THE STATE ARCHITECT
OFFICE OF REGULATION SERVICES
PC-330
DATE 1-2-97

PACESETTER INDUSTRIES, INC.
P.O. BOX 1131, MODesto, CA 95353 (209) 921-1600
RAMP & LANDING @ PORTABLE CLASSROOMS
ELEVATIONS & DETAILS

REGISTERED PROFESSIONAL ENGINEER
BRUCE D. DOIG
No. 2522
Date 11-3-12
STRUCTURAL ENGINEER
STATE OF CALIFORNIA
EXPIRES 3-31-00

ANDERSON & DOIG
STRUCTURAL ENGINEERS
A CALIFORNIA CORPORATION
1000 FLACKER LANE, STE. 100, SACRAMENTO, CA 95827
PH: 916 346-9622 FAX: 916 346-9623

DRAWN MM
CHECKED BD/KE
DATE 6-30-97
SCALE AS NOTED
JOB NO. 97007 PSPCA
SHEET