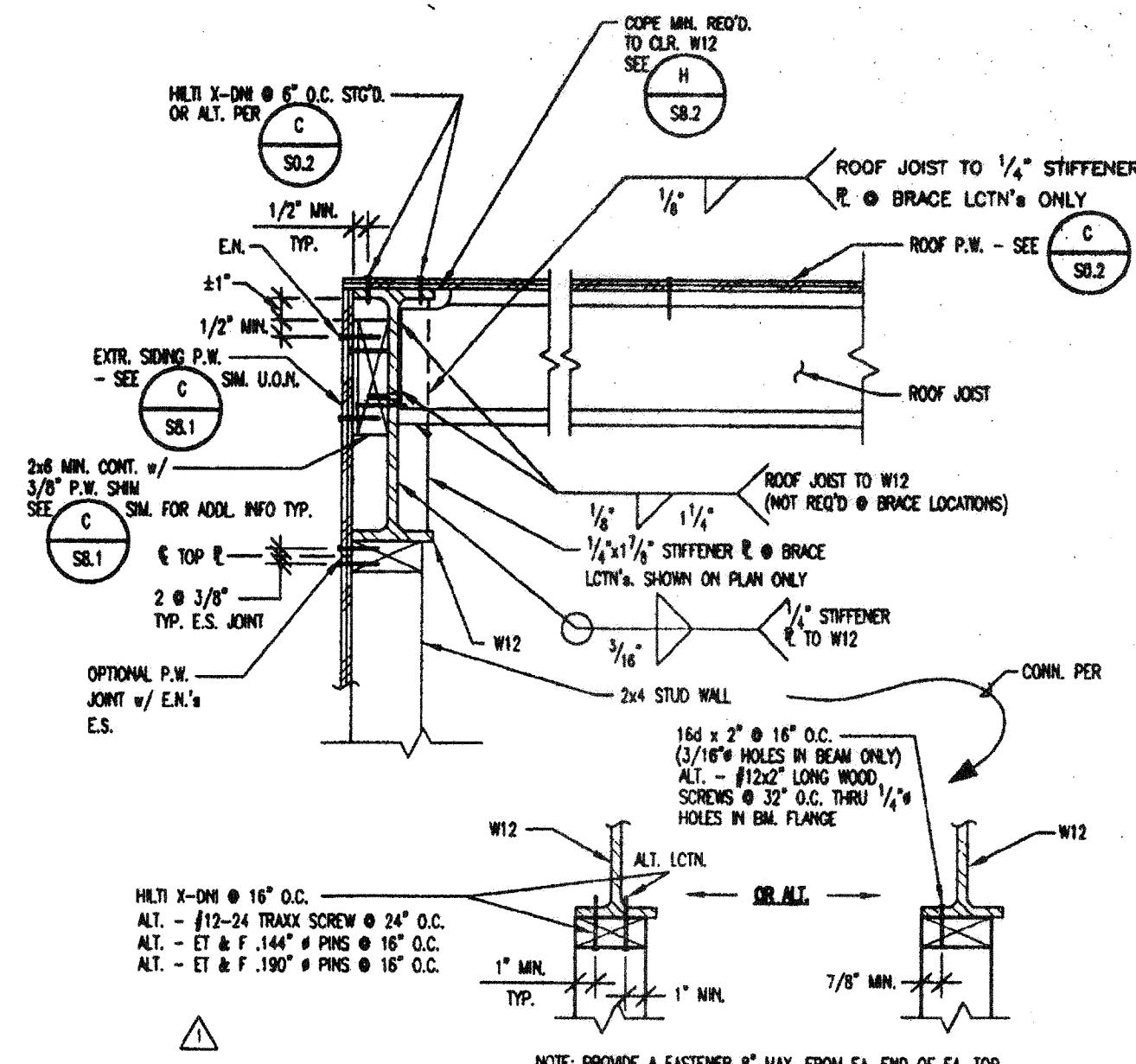
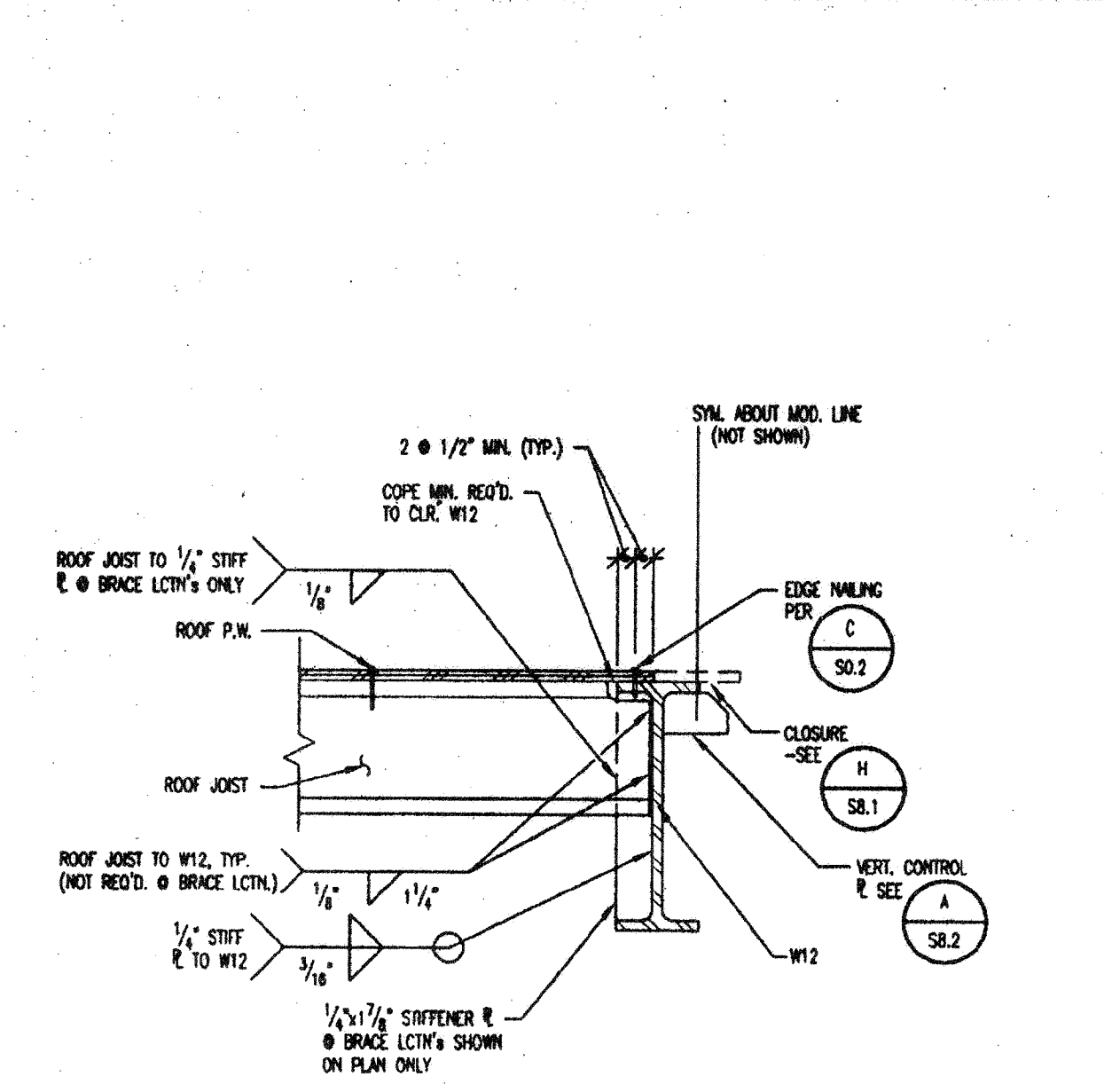


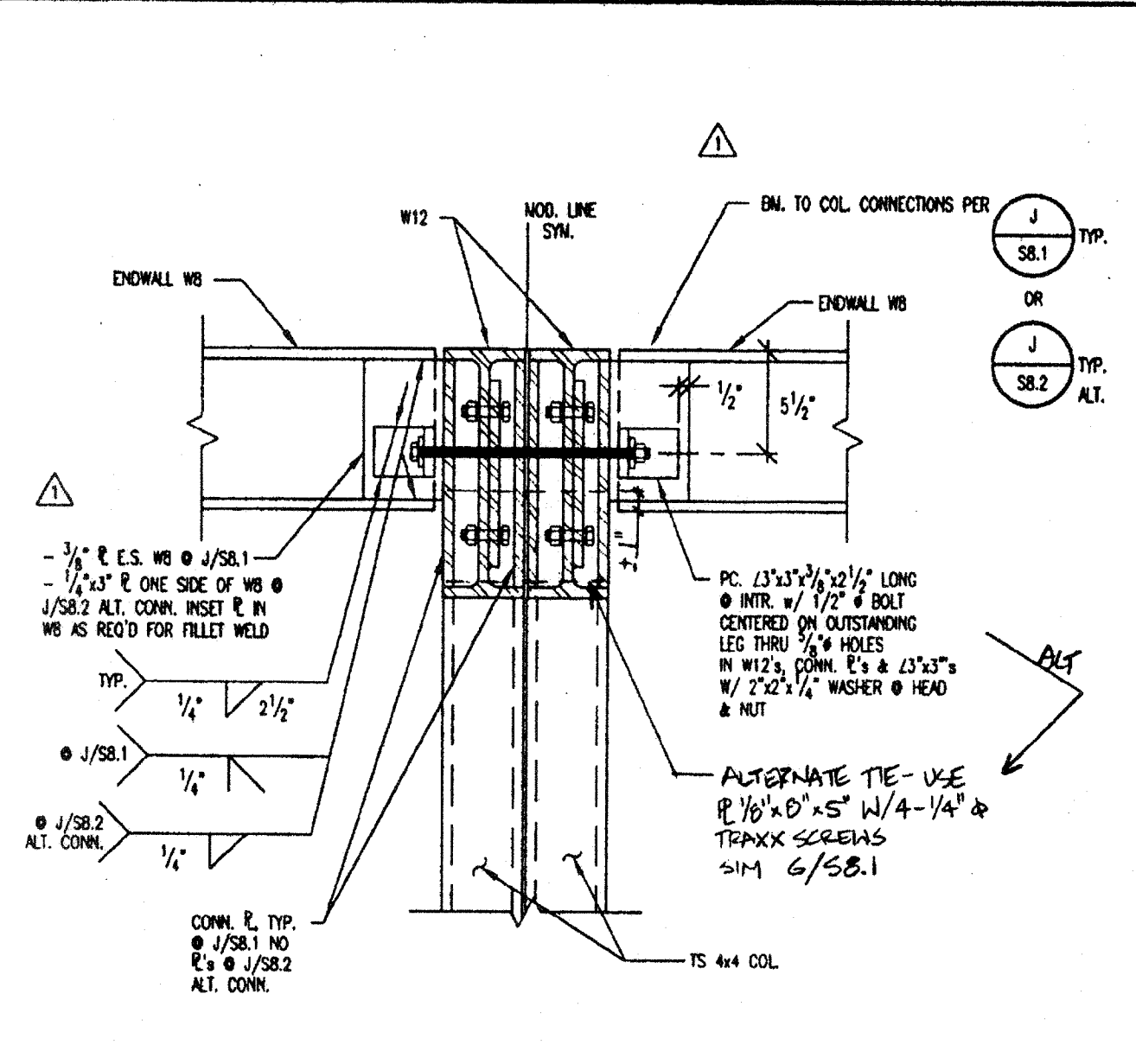
A ROOF DETAIL - MODULE LINE BM's VERTICAL CONTROL R's
SCALE: 1/2"=1'-0"



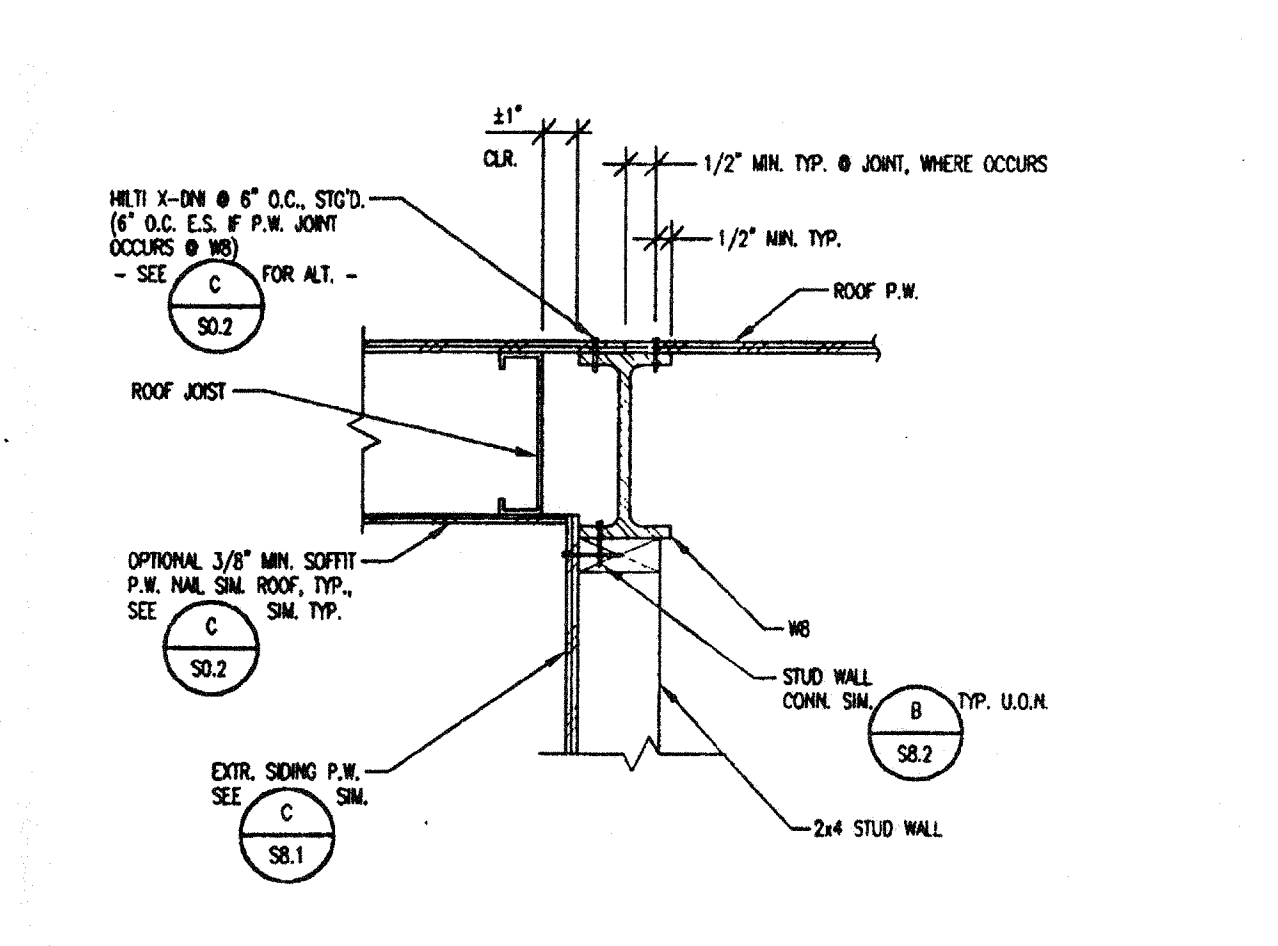
B ROOF DETAIL - TYP. @ SIDEWALL
SCALE: 1/2"=1'-0"



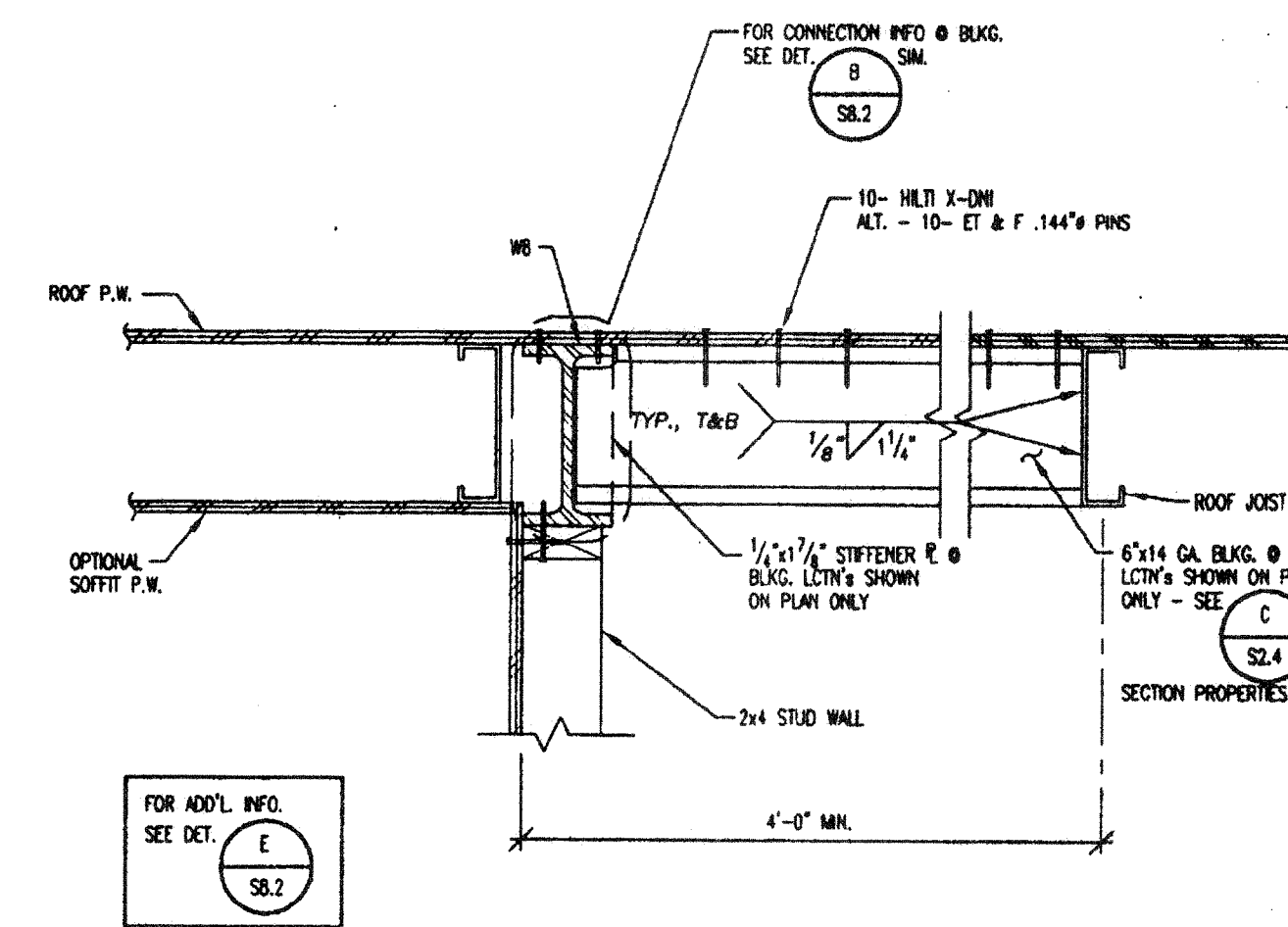
C ROOF DETAIL - TYP. @ MODULE LINE
SCALE: 1/2"=1'-0"



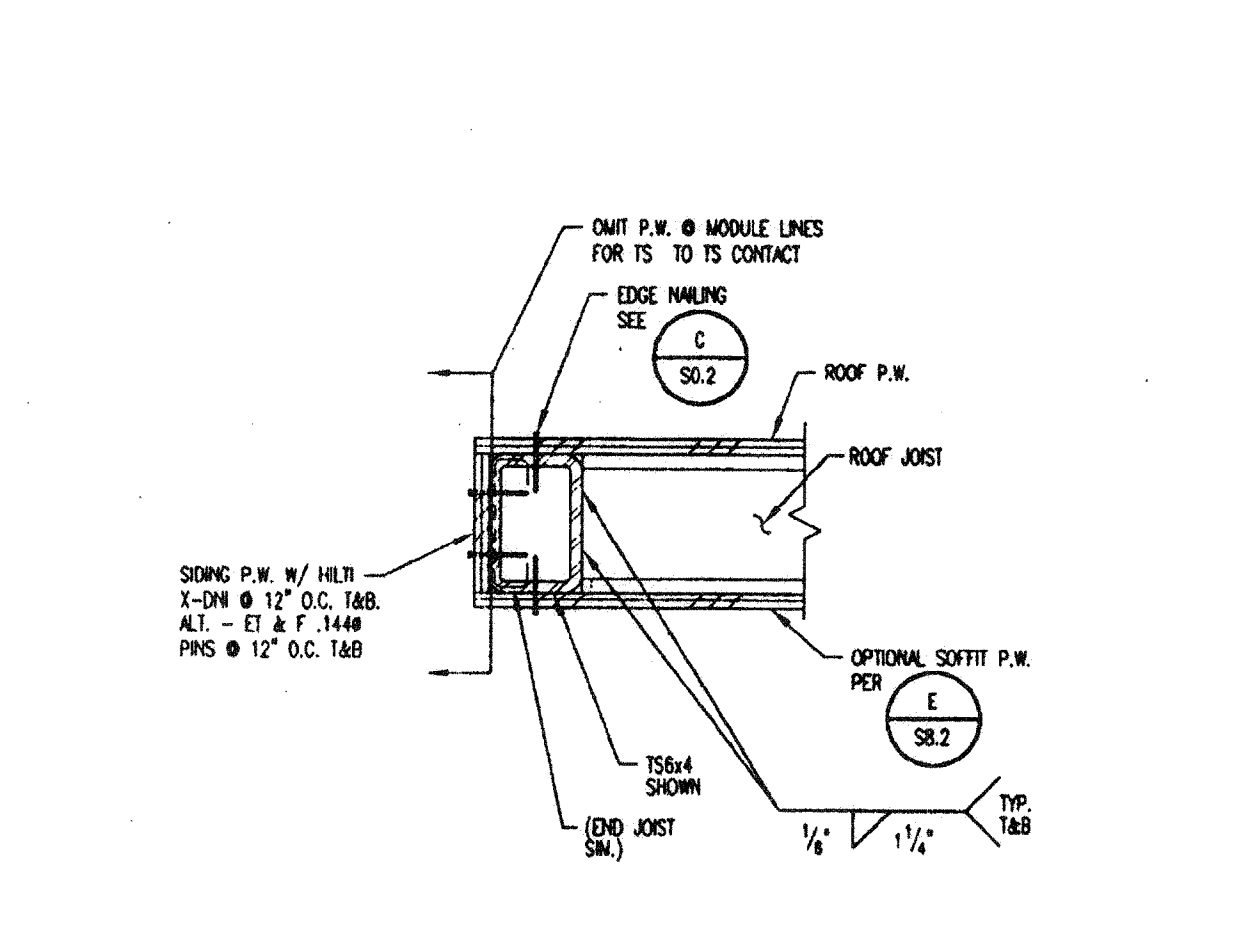
D TYP. DET. @ ROOF-FRONT & REAR ENDWALL WALL TIE @ MOD. LINE
SCALE: 1/2"=1'-0"



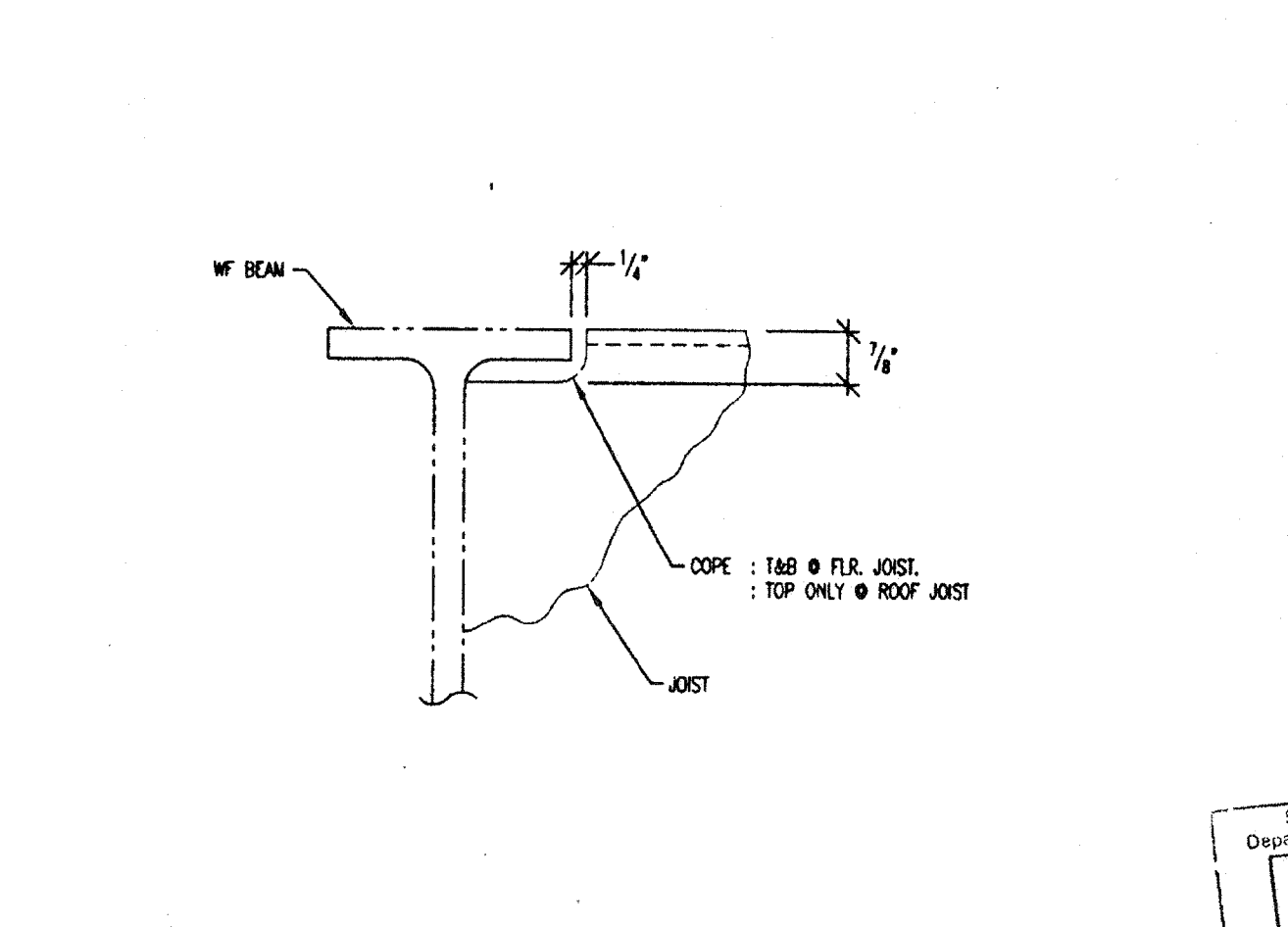
E ROOF DETAIL - TYP. @ ENDWALLS
SCALE: 1/2"=1'-0"



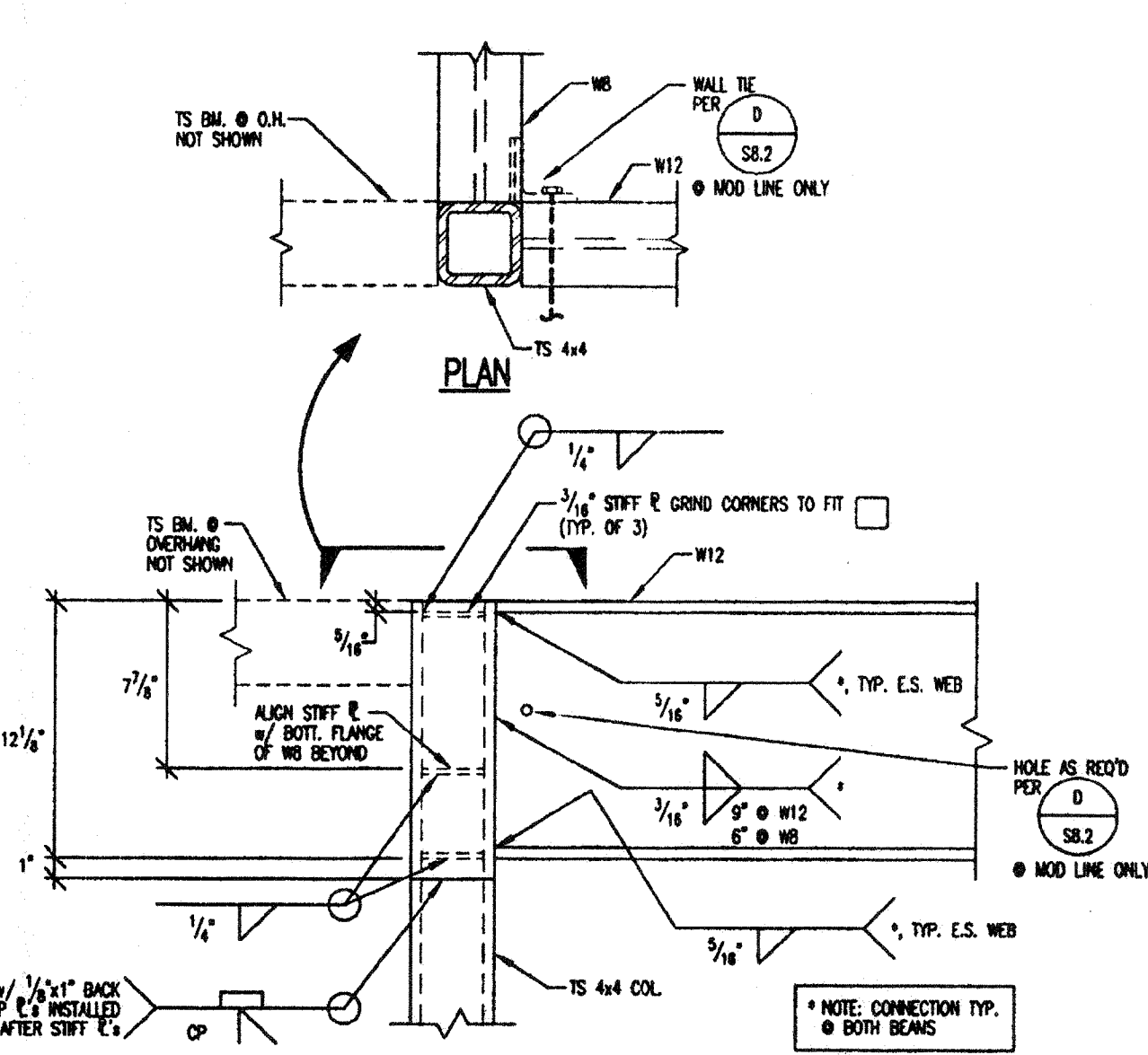
F ROOF DETAIL-BLKG. @ ENDWALL BEAM
SCALE: 1/2"=1'-0"
(TYP. @ FRONT & REAR)



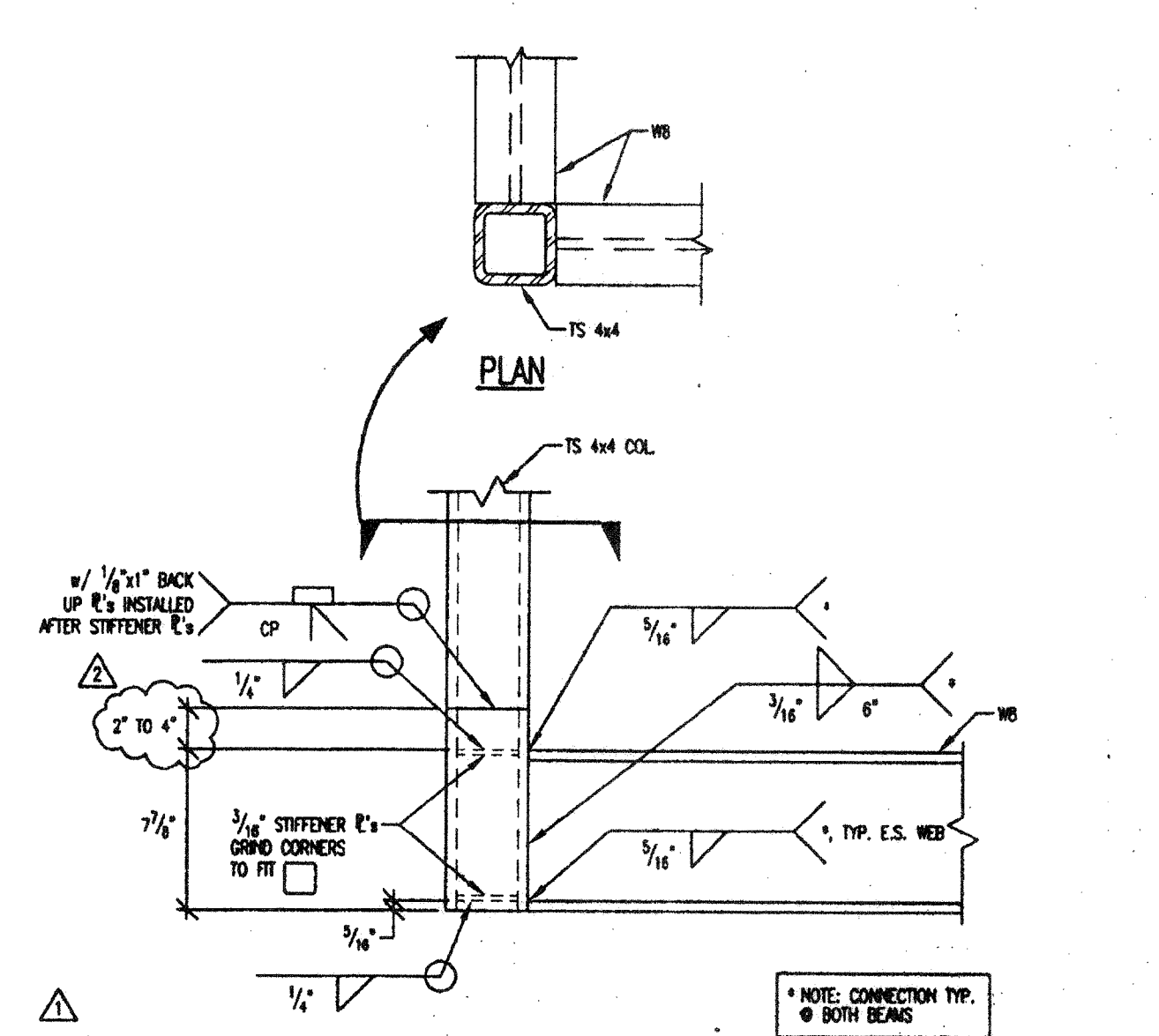
G ROOF DETAIL - @ FRONT & REAR EAVES
SCALE: 1/2"=1'-0"



H TYPICAL COPE OF ROOF/FLR. JOIST @ W8 OR W12 BEAMS
SCALE: 1/2"=1'-0"



J ALT. - ROOF BEAMS @ TS COL. CONN.
SCALE: 1/2"=1'-0"



K ALT. - FLOOR BMS. @ TS COL. CONN.
SCALE: 1/2"=1'-0"

REVISIONS	BY
5-22-97	BD
6-30-97	BD

PACESETTER INDUSTRIES, INC.
P.O. BOX 1131, REDDING, CA 96001 (209) 521-1600

24x40 RELOCATABLE BUILDING

ROOF DETAILS

STATE OF CALIFORNIA
Department of General Services
JUL 22 1997
Division of the State Architect
Structural Engineering Section
Regulation Services Section

REGISTERED PROFESSIONAL ENGINEER
BRUCE D. DOIG
No. 2522
EXPIRES 3-31-00

REGISTERED ARCHITECT
ANDERSON & DOIG
C-22916
EXPIRES 12-31-97

ANDERSON & DOIG
STRUCTURAL ENGINEERS
A CALIFORNIA CORPORATION
1008 PLACER LANE, STE. 100, SACRAMENTO, CA 95827-2511
(916) 366-9422

FILE # 15-6
IDENTIFICATION STAMP
DIV. OF THE STATE ARCHITECT
OFFICE OF REGULATION SERVICES
03-118272
AC / FLS / SS / CL
DATE NOV - 8 2017
TRACKING #: 63321-292

REVISED
IDENTIFICATION STAMP
DIV. OF THE STATE ARCHITECT
OFFICE OF REGULATION SERVICES
PC-330
DATE: 5-1-97

DESIGN (1995 CBC)
ROOF LINE LOAD = 20 PSF
FLOOR LINE LOAD = 30 PSF
WIND = 75 MPH
SEISMIC ZONE = 4

DRAWN
JR
CHECKED
BD/PS
DATE
6-30-97
SCALE
AS NOTED
JOB NO.
97007 PSCP1
SHEET

24x40 BLDG.
S8.2
17 of 21 SHEETS