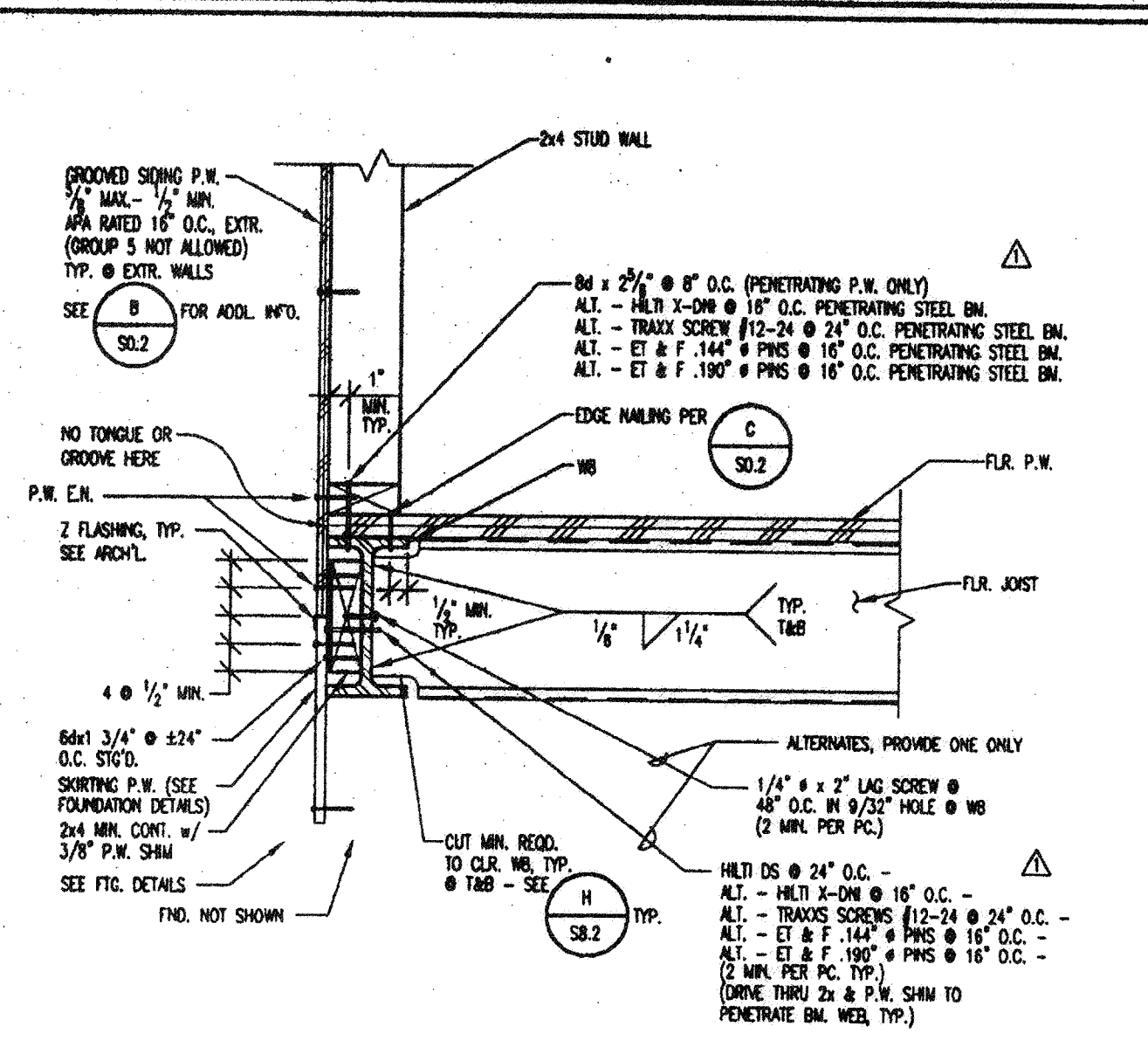


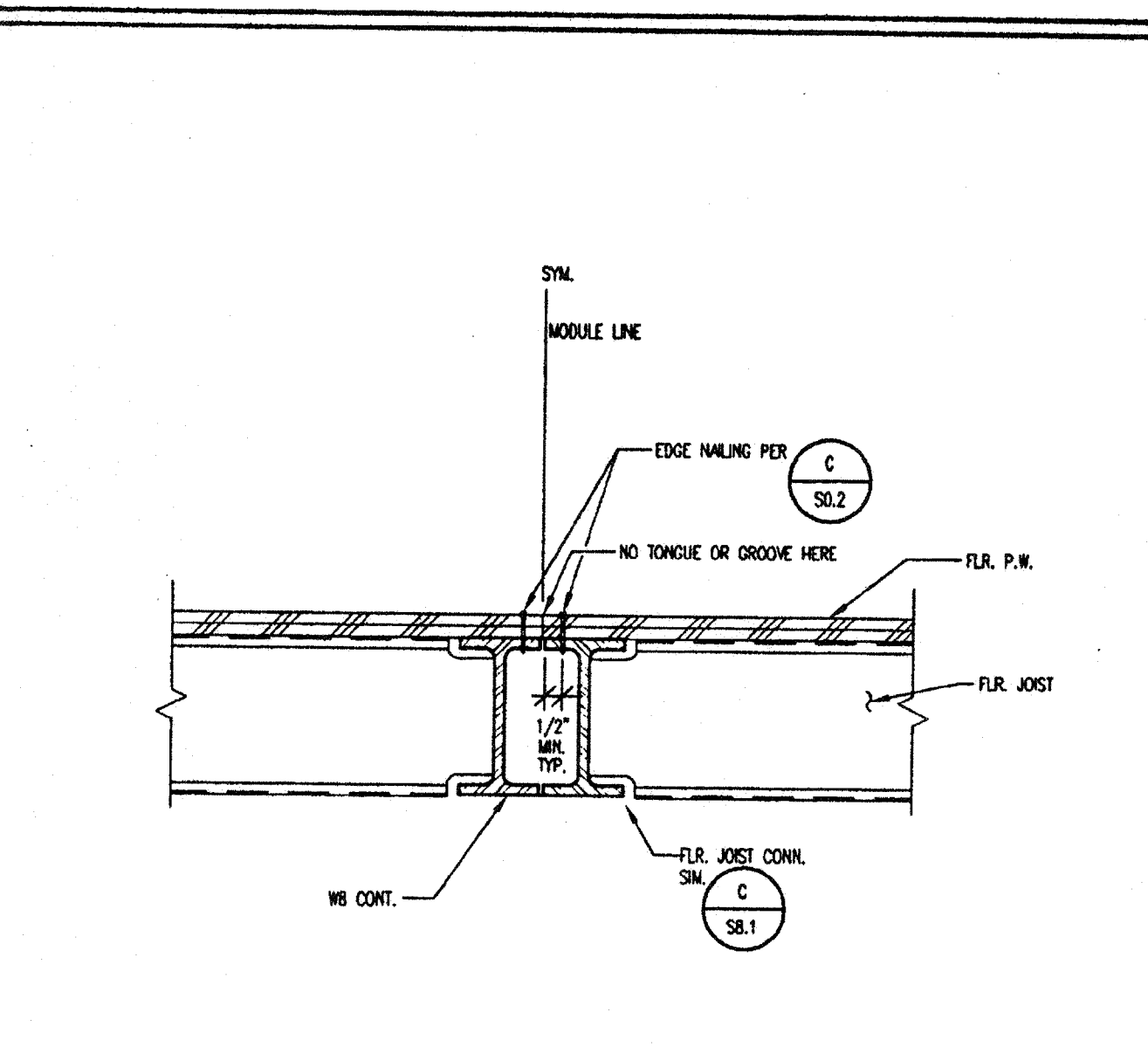
A DETAIL - TYP. FLOOR BEAMS CONN. @ TS COL.
SCALE: 1 1/2"=1'-0"
ALT. CONN. DET. SEE K/S8.2

B TYPICAL BEAM AT TS COLUMN CONN. DETAIL
SCALE: 1 1/2"=1'-0"

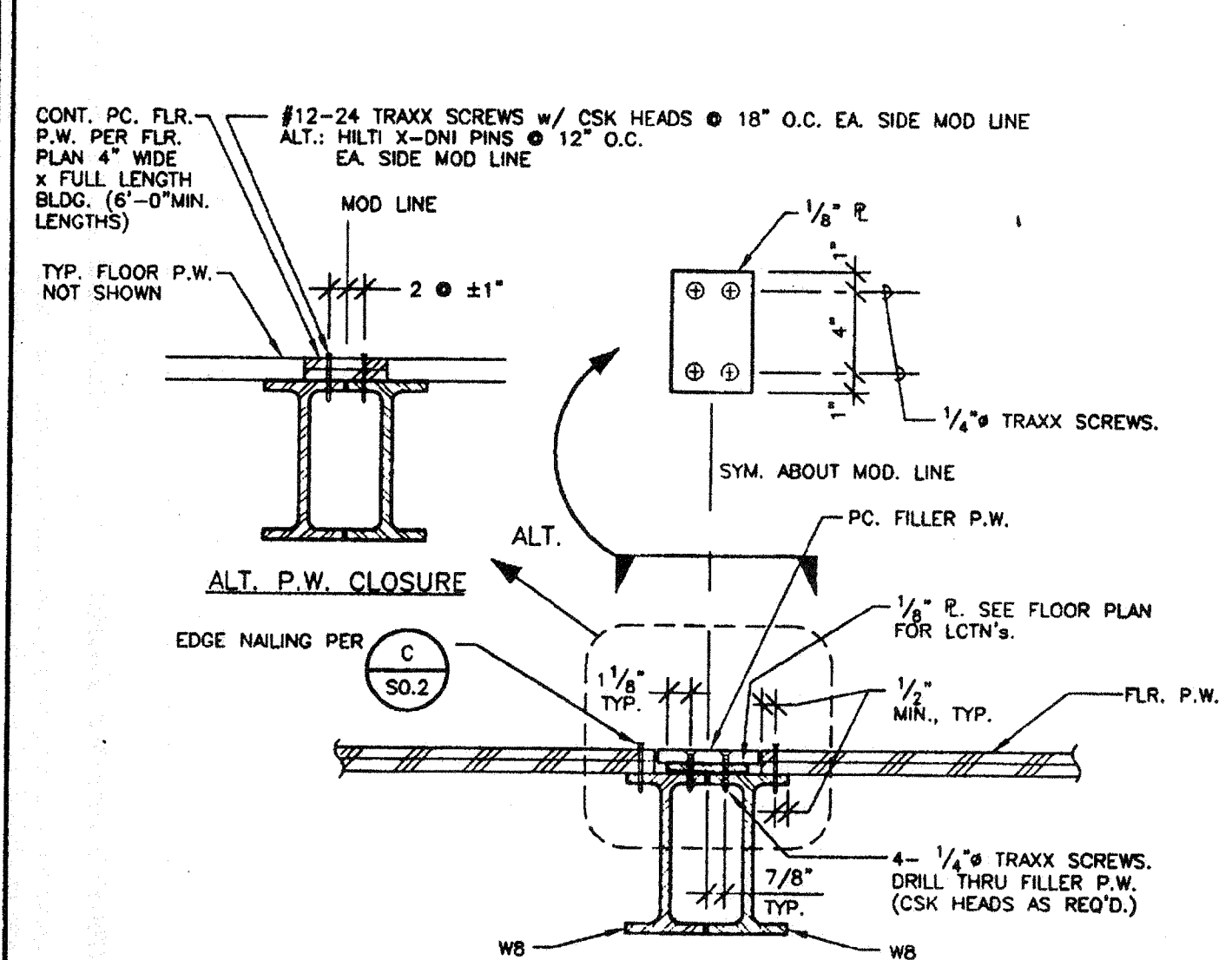
| BOLTING REQUIREMENTS TABLE | |
|----------------------------|------------------------------|
| BEAM SIZE | NO. BOLTS REQ. IN CONNECTION |
| WB | 2 |
| W12 | 2 |



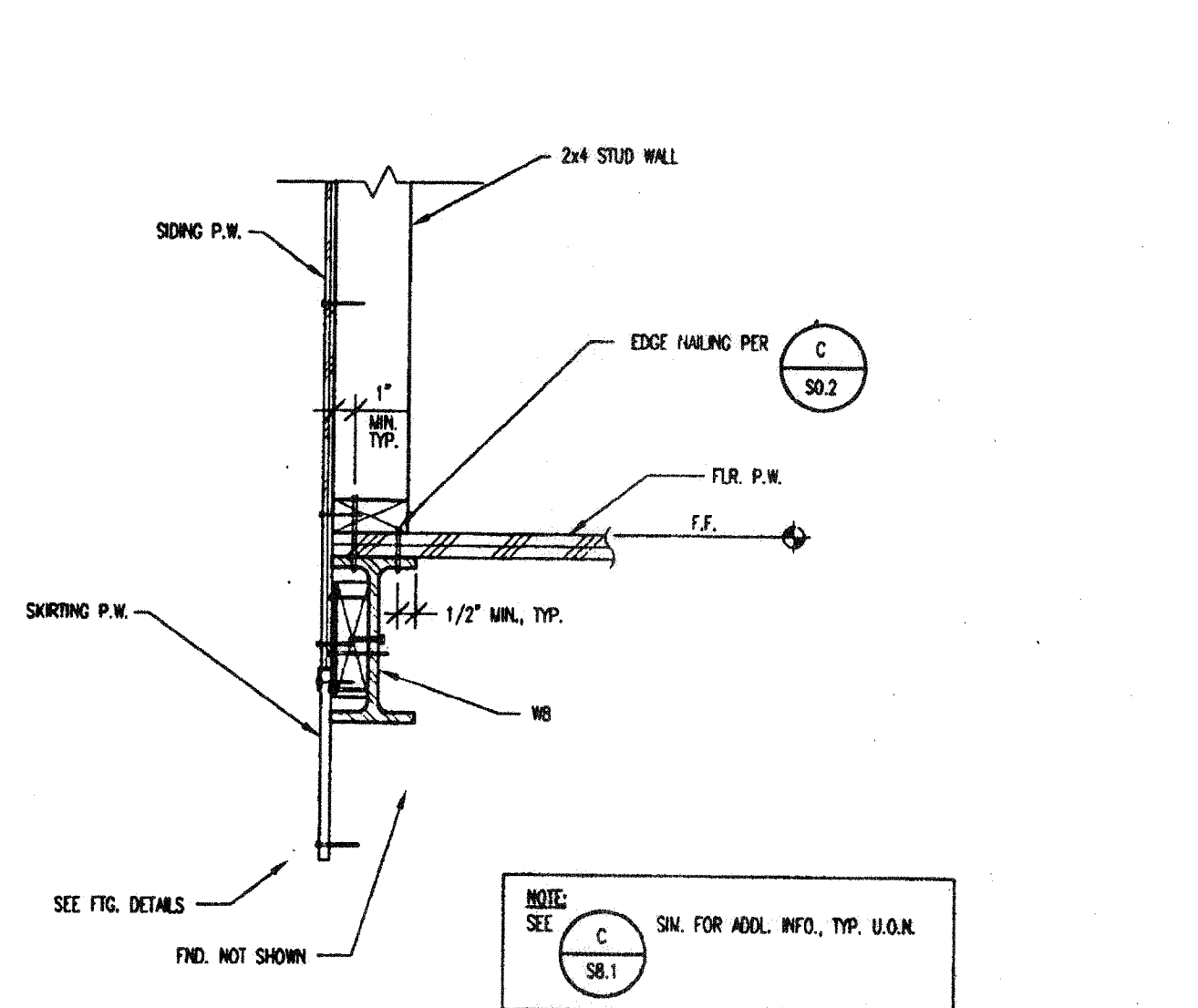
C DETAIL - FLOOR @ SIDEWALL
SCALE: 1 1/2"=1'-0"



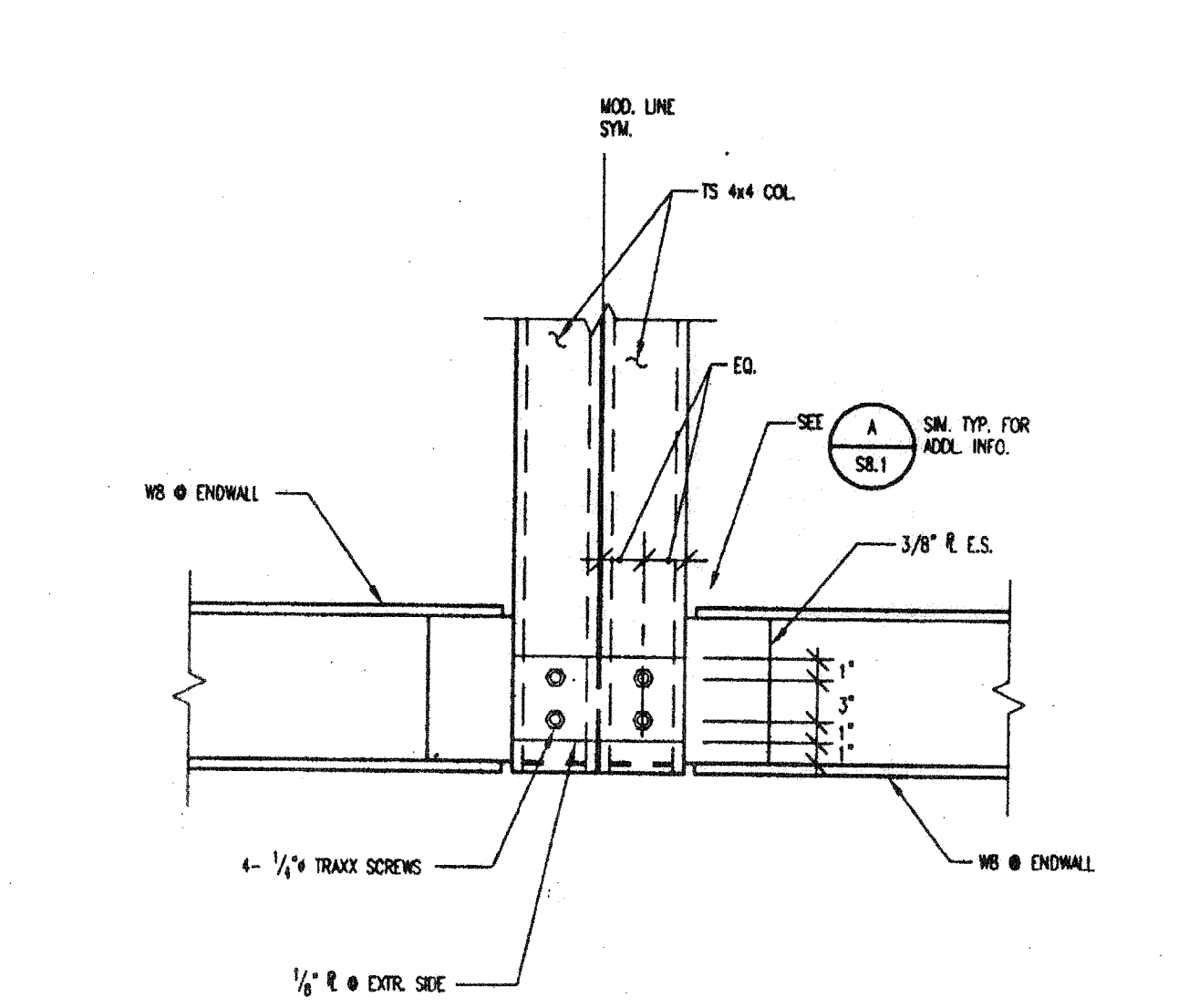
D DETAIL - FLOOR @ MODULE LINE
SCALE: 1 1/2"=1'-0"



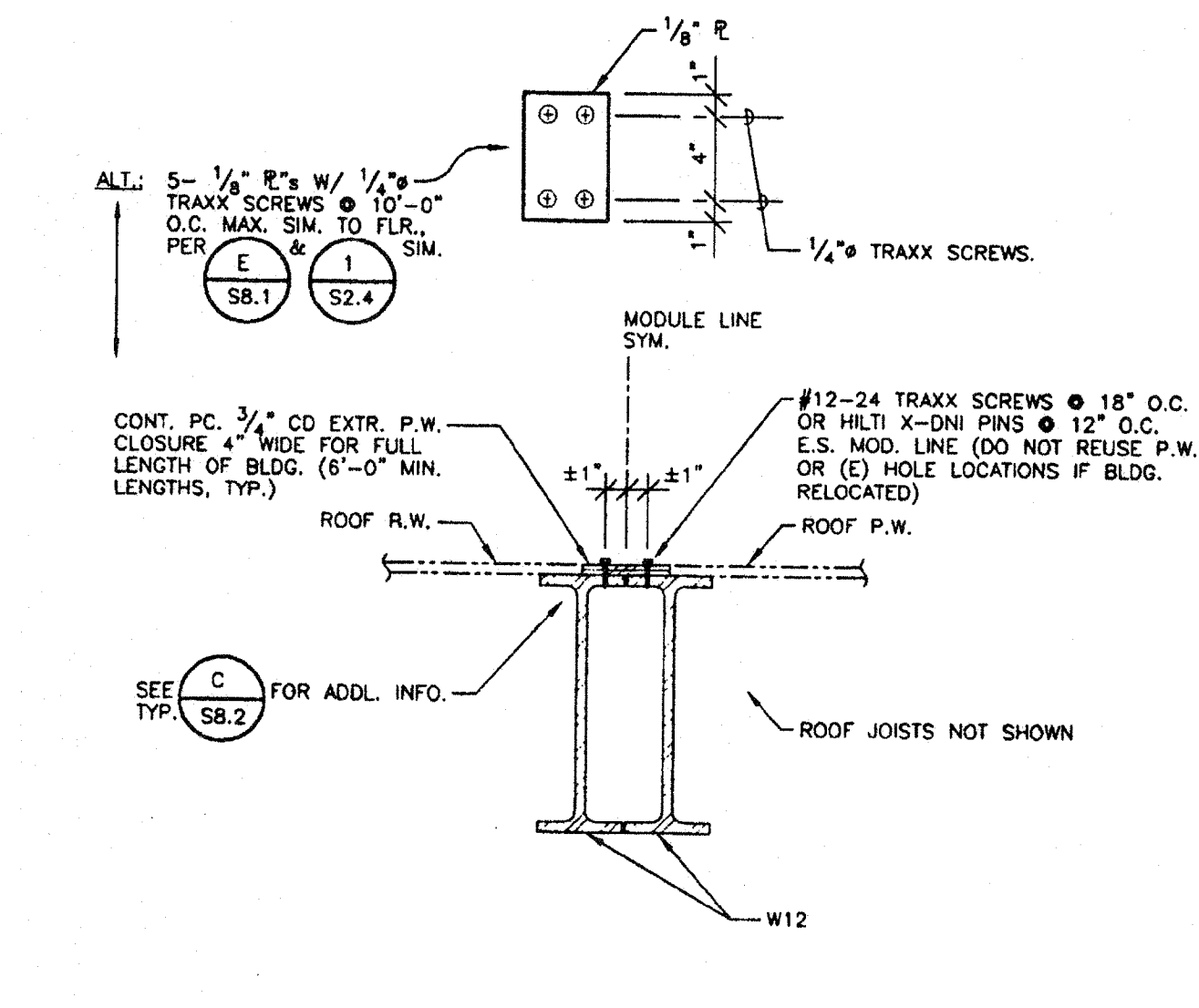
E DETAIL - MOD. TO MOD. TIE @ FLR.
SCALE: 1 1/2"=1'-0"



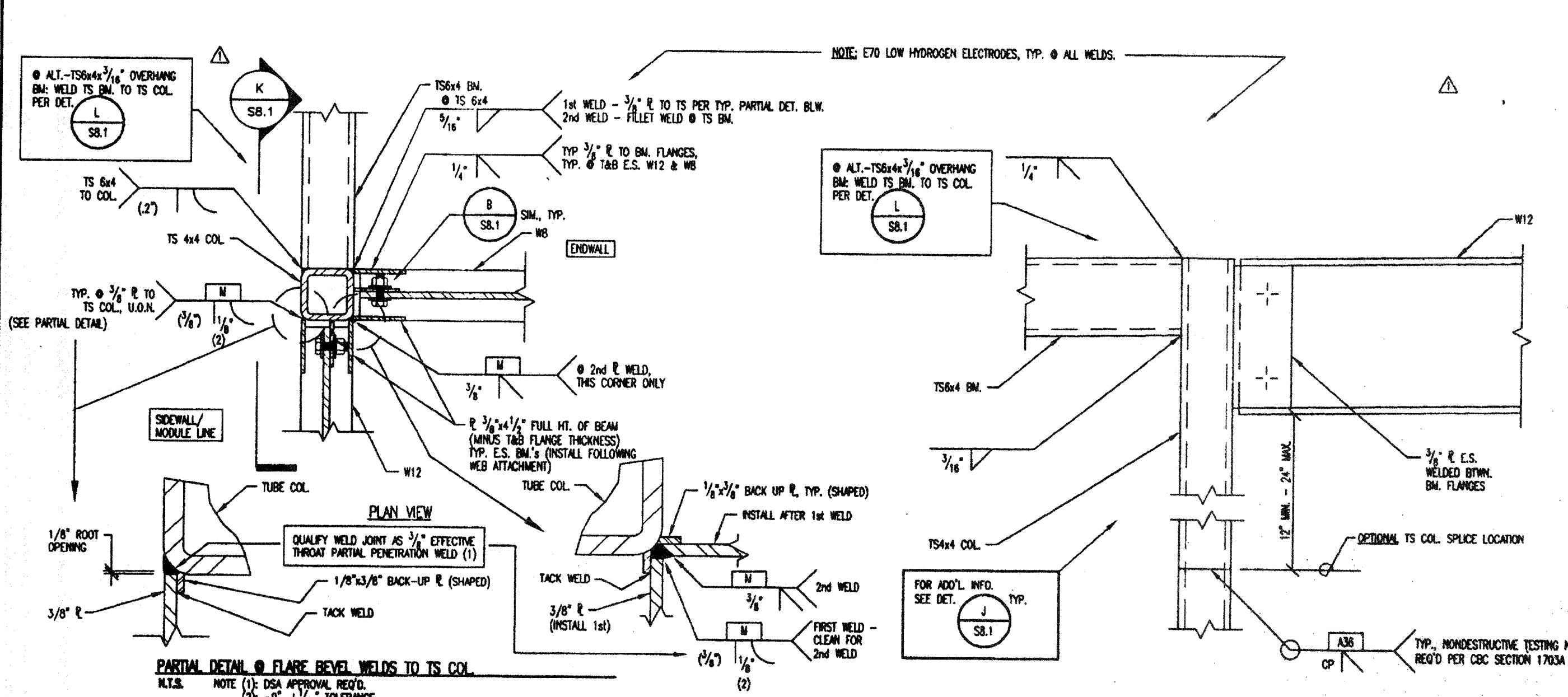
F DETAIL - ENDWALL @ FLOOR
SCALE: 1 1/2"=1'-0"



G TYP. DET. @ FLR.-FRONT & REAR ENDWALL TIE @ MOD. LINE
SCALE: 1 1/2"=1'-0"

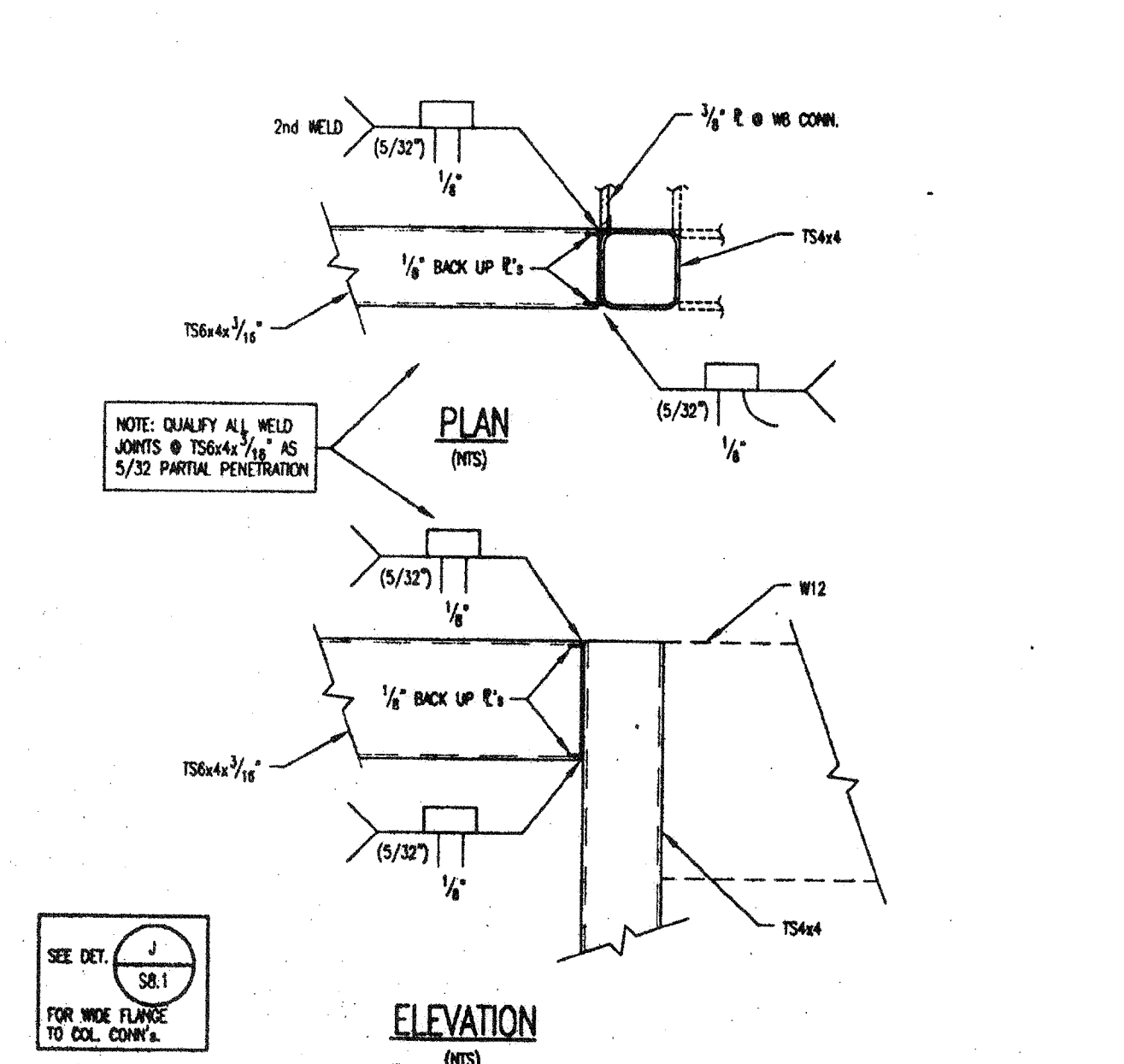


H ROOF DETAIL - MODULE LINE TIE
SCALE: 1 1/2"=1'-0"

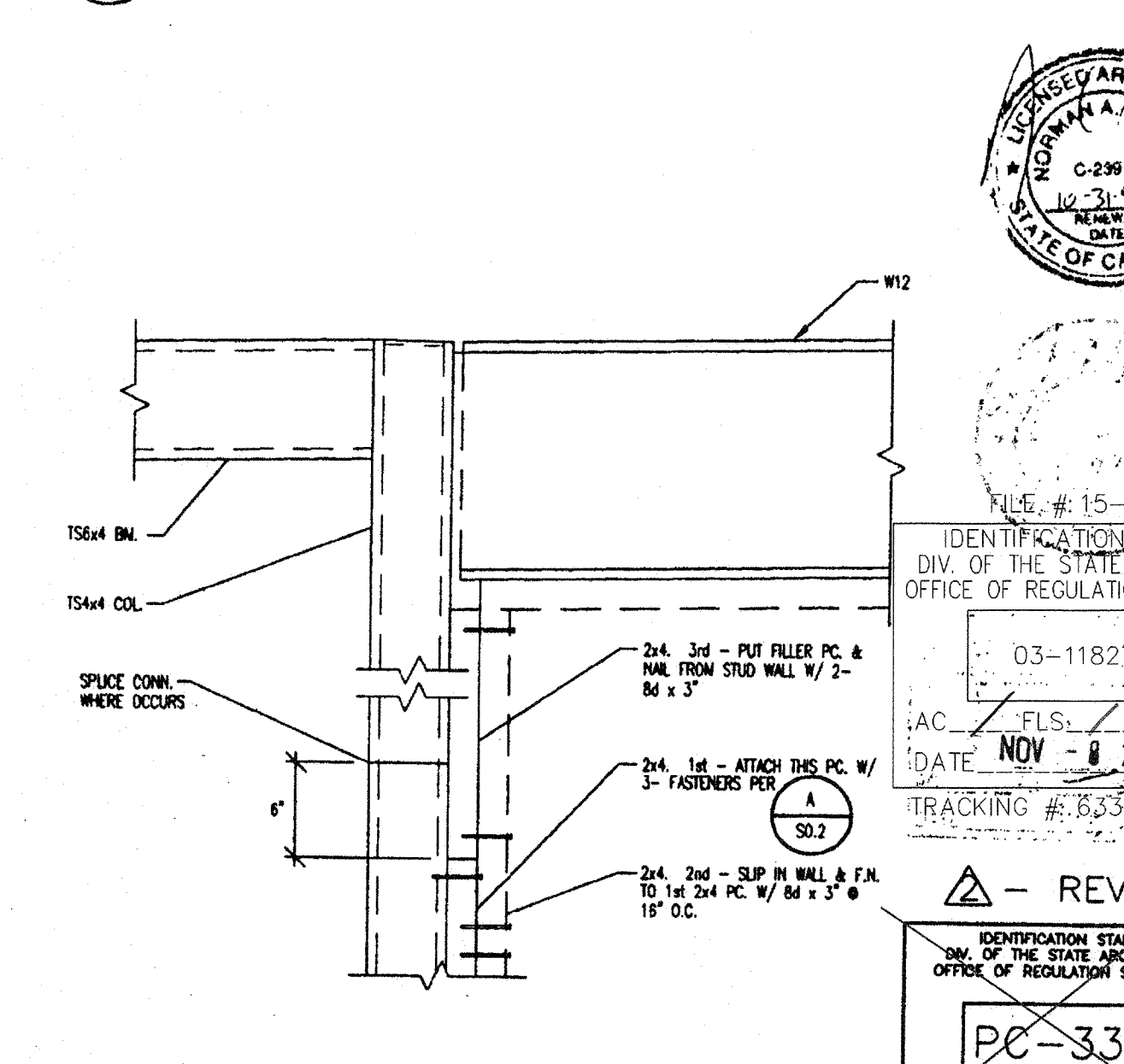


J DETAIL - ROOF BEAMS @ TS COL.
SCALE: 1 1/2"=1'-0"
ALT. CONN. DET. SEE J/S8.2

K DETAIL - ROOF BEAMS @ TS COL.
SCALE: 1 1/2"=1'-0"



L ALT.-TS6x4x3/16 BEAM/TS COL. CONN. @ EAVE OVERHANG
SCALE: 1 1/2"=1'-0"

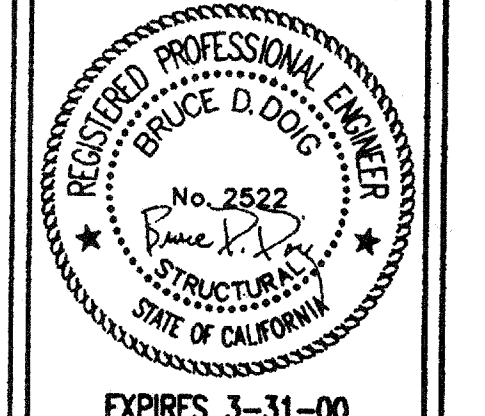


M ALT.-WD. STUD TO TS COL. CONN.
SCALE: 1 1/2"=1'-0"

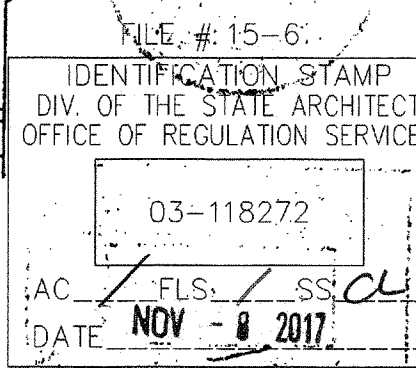
| DESIGN (1995 CMB) | 24x40 BLDG. |
|-------------------|-------------|
| ROOF LINE LOAD | = 20 PSF |
| FLOOR LINE LOAD | = 50 PSF |
| WIND | = 75 MPH |
| SEISMIC ZONE | = 4 |

| REVISIONS | BY |
|-------------------|----|
| 5-22-97 | BD |
| 6-30-97/NO CHANGE | BD |

PACESETTER INDUSTRIES, INC.
P.O. BOX 1131, MODESTO, CA 95333 (209) 521-1600
24x40 RELOCATABLE BUILDING
ROOF & FLOOR DETAILS



ANDERSON & DOIG
STRUCTURAL ENGINEERS
A CALIFORNIA CORPORATION
1009 PACIFIC LANE, STE. 100, SACRAMENTO, CA 95827-2511
(916) 366-9621



IDENTIFICATION STAMP
DIV. OF THE STATE ARCHITECT
OFFICE OF REGULATION SERVICES
FILE # 15-6
DATE NOV 9 2017
TRACKING # B3321292
PC-330

DRAWN: JR
CHECKED: BD/PLS
DATE: 6-30-97
SCALE: AS NOTED
JOB NO.: 97007 PSCP1
SHEET

S8.1
21 SHEETS