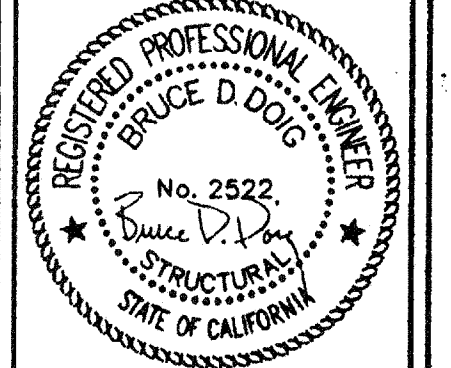


REVISIONS	BY
Δ 5-22-97	BD
Δ 6-30-97/NO CHANGE	BD

PACESETTER INDUSTRIES, INC.
P.O. BOX 1131, REDDING, CA 96003 (209) 521-1800

24X40 RELOCATABLE BUILDING

WOOD FOUNDATION DETAILS



ANDERSON & DOIG
STRUCTURAL ENGINEERS
A CALIFORNIA CORPORATION
1700 PLACER LANE, 16th FLOOR, SACRAMENTO, CALIF. 95833
(916) 444-9422

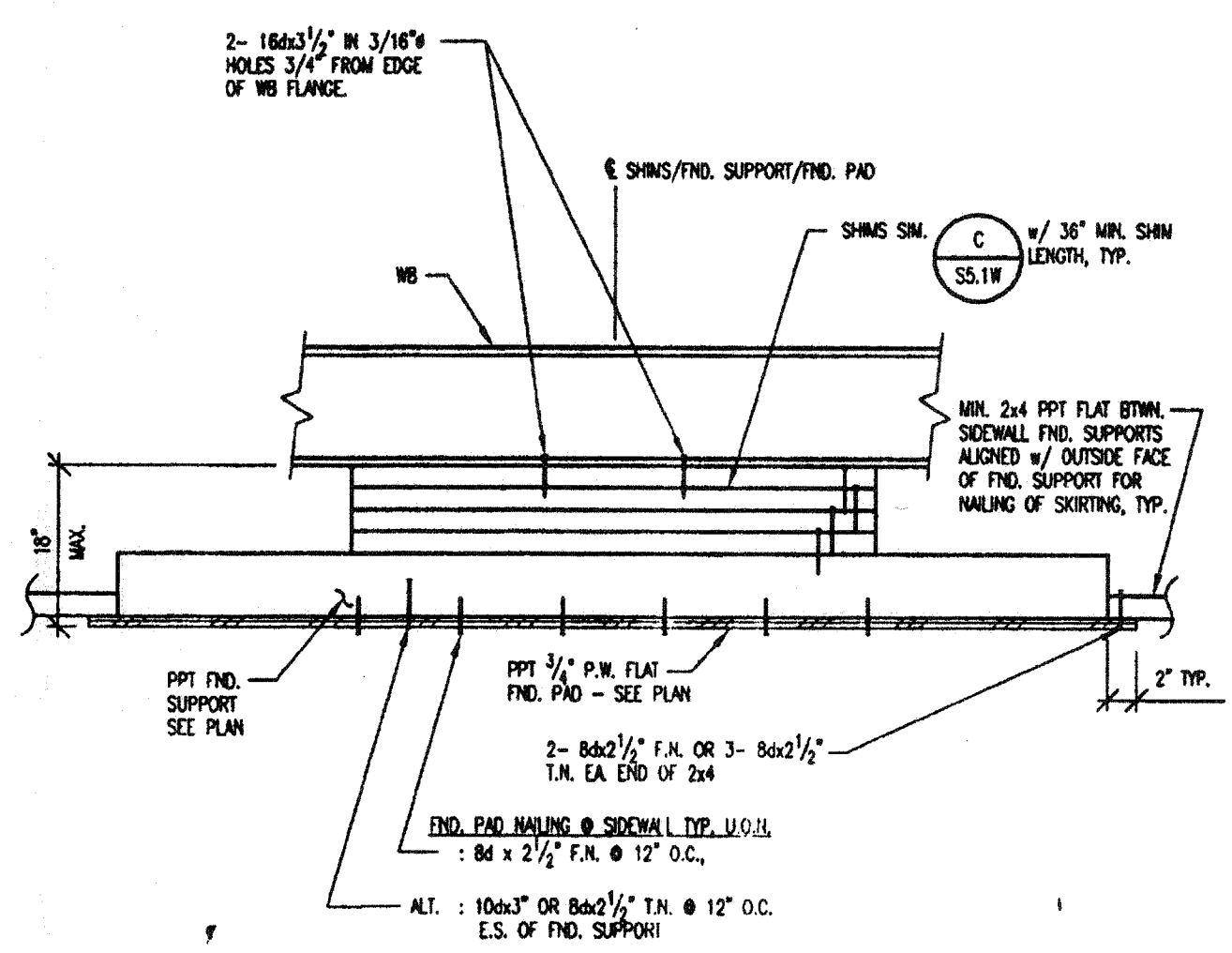
FILE #15-6
IDENTIFICATION STAMP
DIV. OF THE STATE ARCHITECT
OFFICE OF REGULATION SERVICES
03-118272
AC: PLS / SS 04
DATE: NOV - 8 2017
TRACKING #: 63321-292

Δ - REVISED
IDENTIFICATION STAMP
DIV. OF THE STATE ARCHITECT
OFFICE OF REGULATION SERVICES
PC-330
DATE: 2-1-97

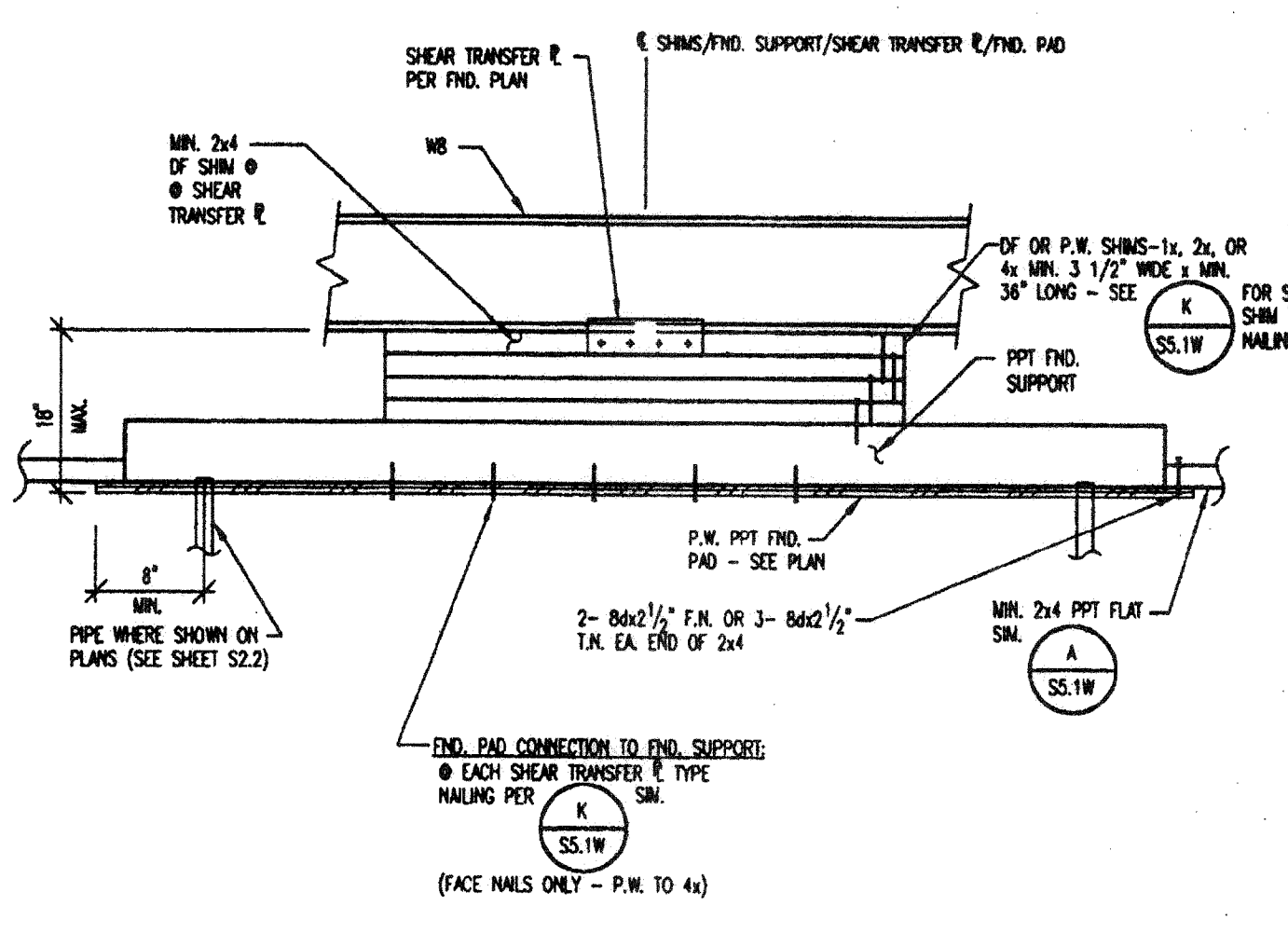
DESIGN (1995 OBC)	24x40 BLDG.
ROOF LIVE LOAD	= 20 PSF (min)
FLOOR LIVE LOAD	= 30 PSF
WIND	= 75 MPH or C
SEISMIC ZONE	= 4

DRAWN: JR
CHECKED: BD/PLS
DATE: 6-30-97
SCALE: AS NOTED
JOB NO.: 97007 P5PC1
SHEET: S5.1W

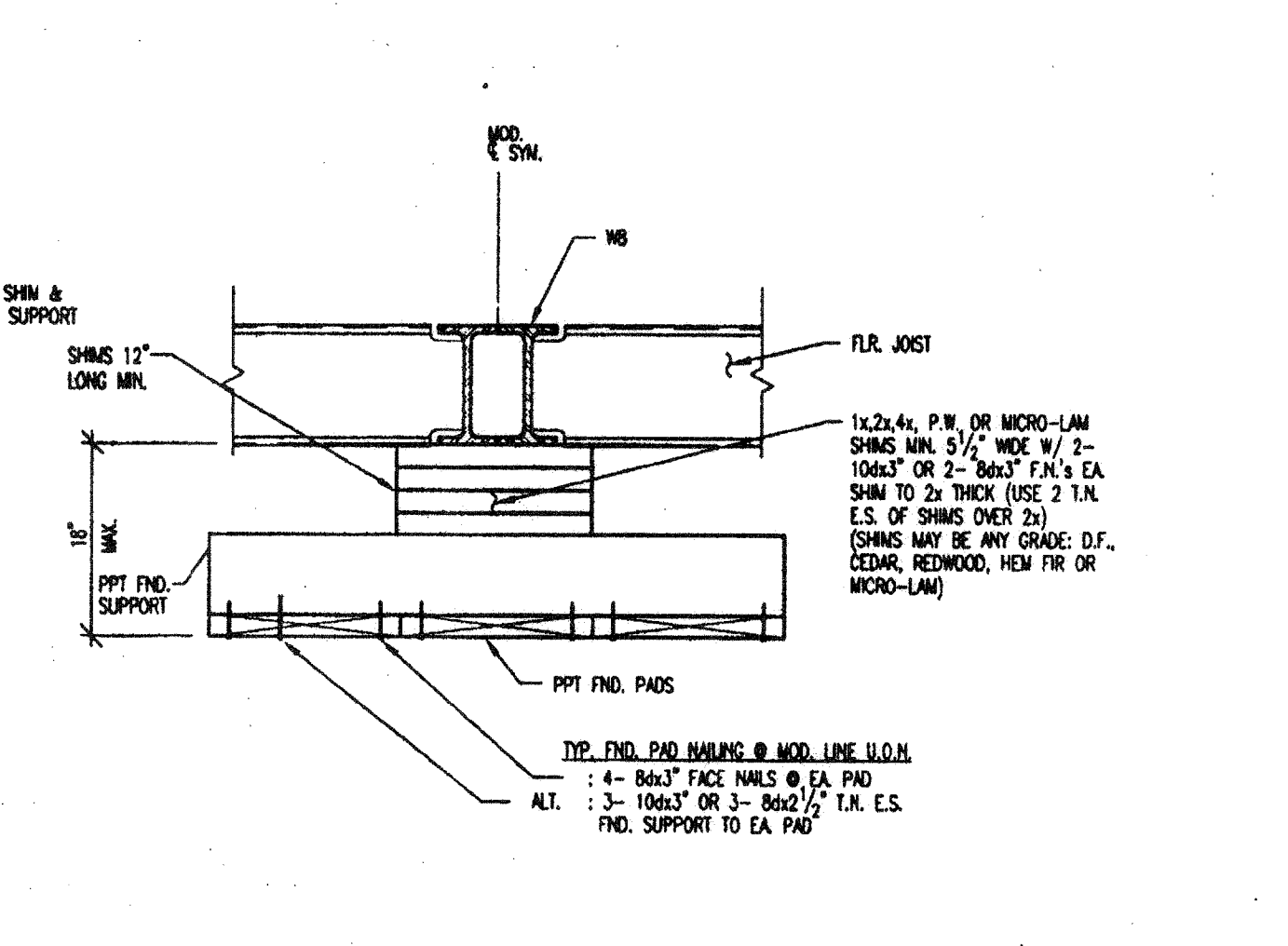
15 OF 21 SHEETS



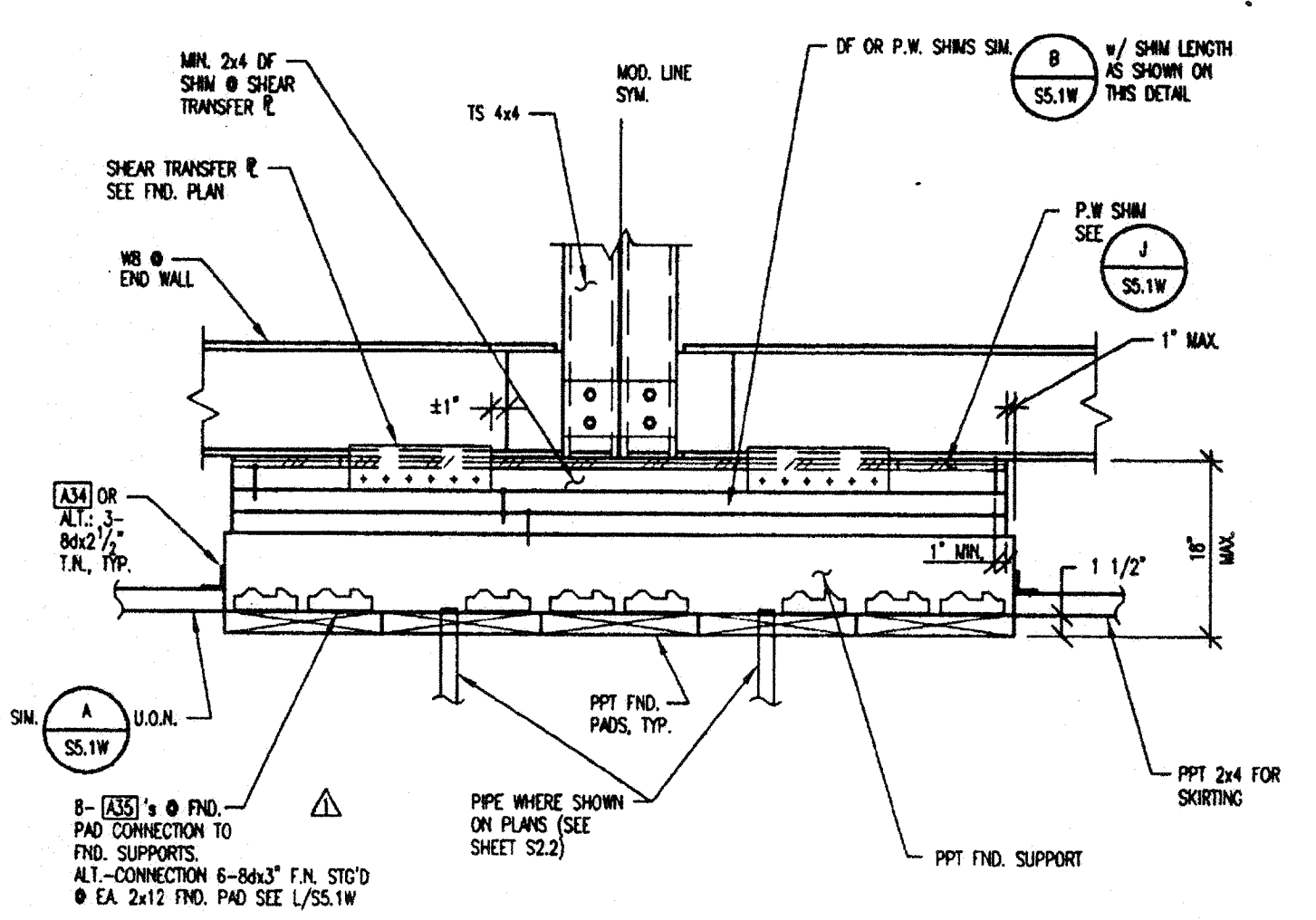
A DET. - FOOTING @ SIDEWALLS (TYP. U.O.N.)
SCALE: 1" = 1'-0"



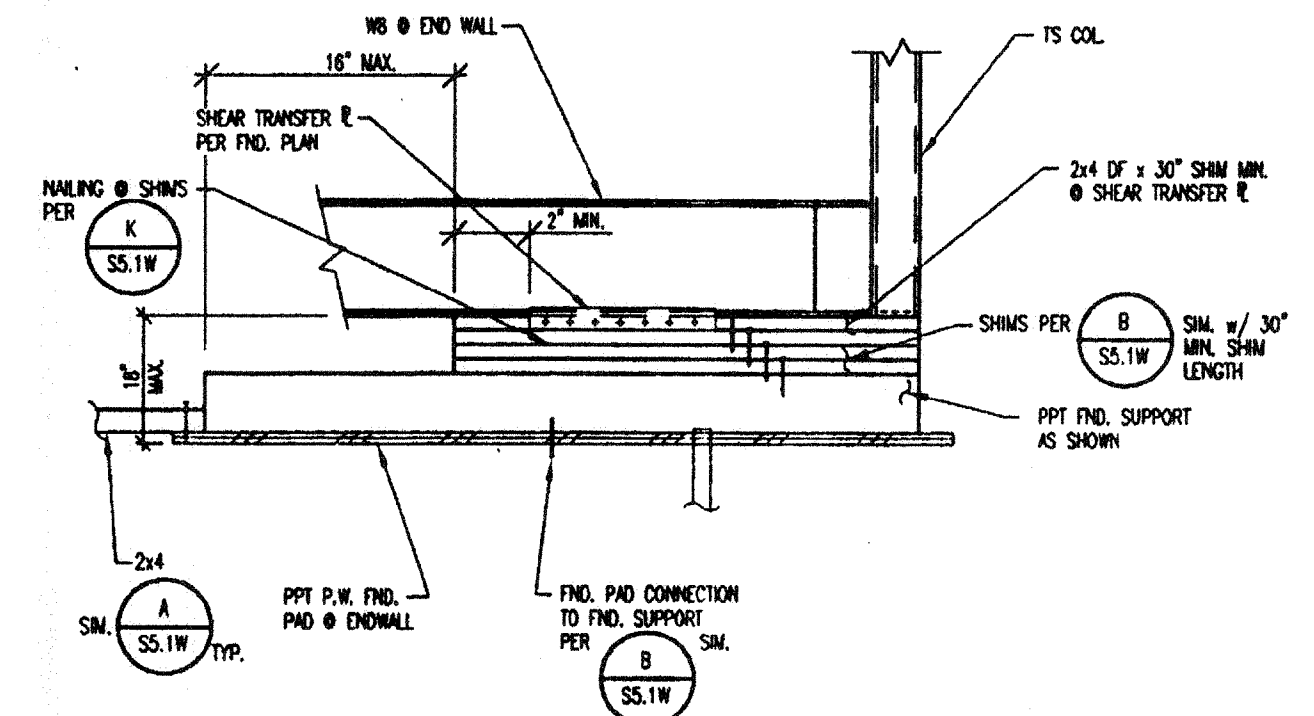
B DET. - FTG. @ SIDEWALLS w/ SHEAR TRANSFER
SCALE: 1" = 1'-0"



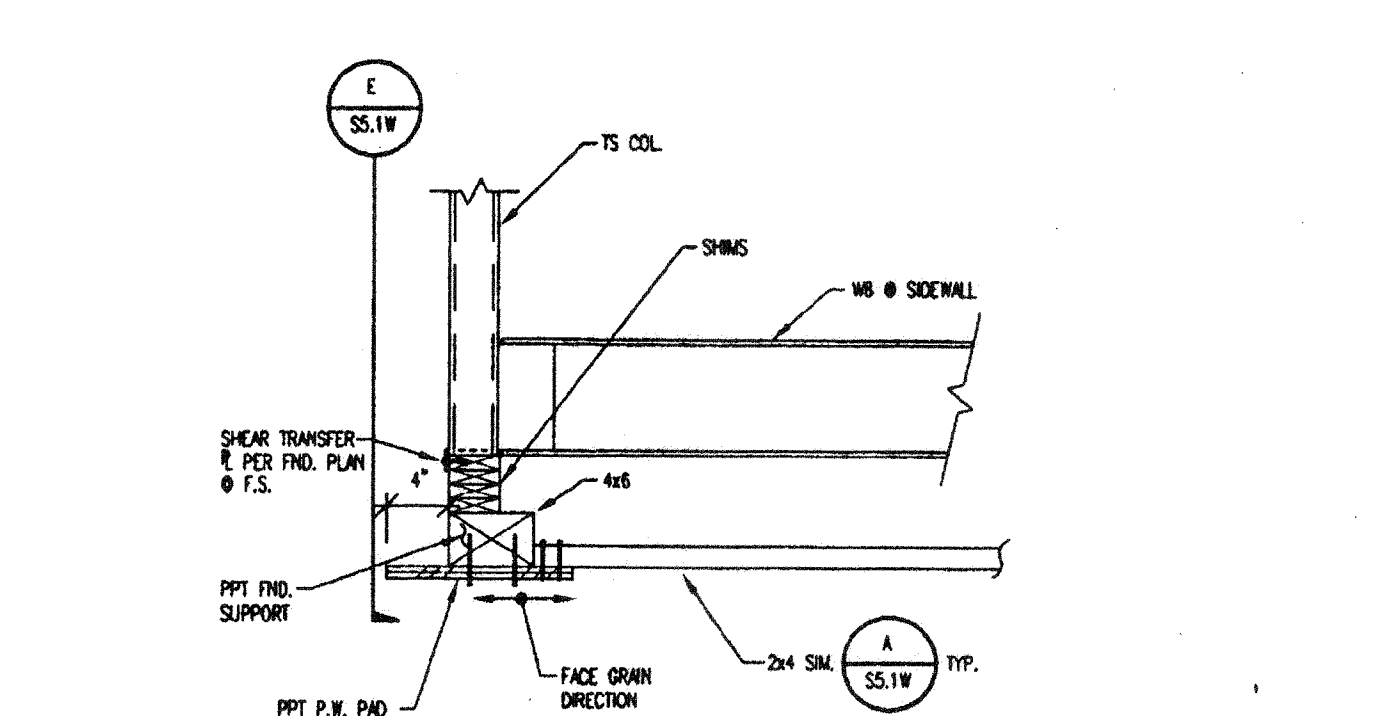
C DET. - FTG. @ MOD. LINE
SCALE: 1" = 1'-0"



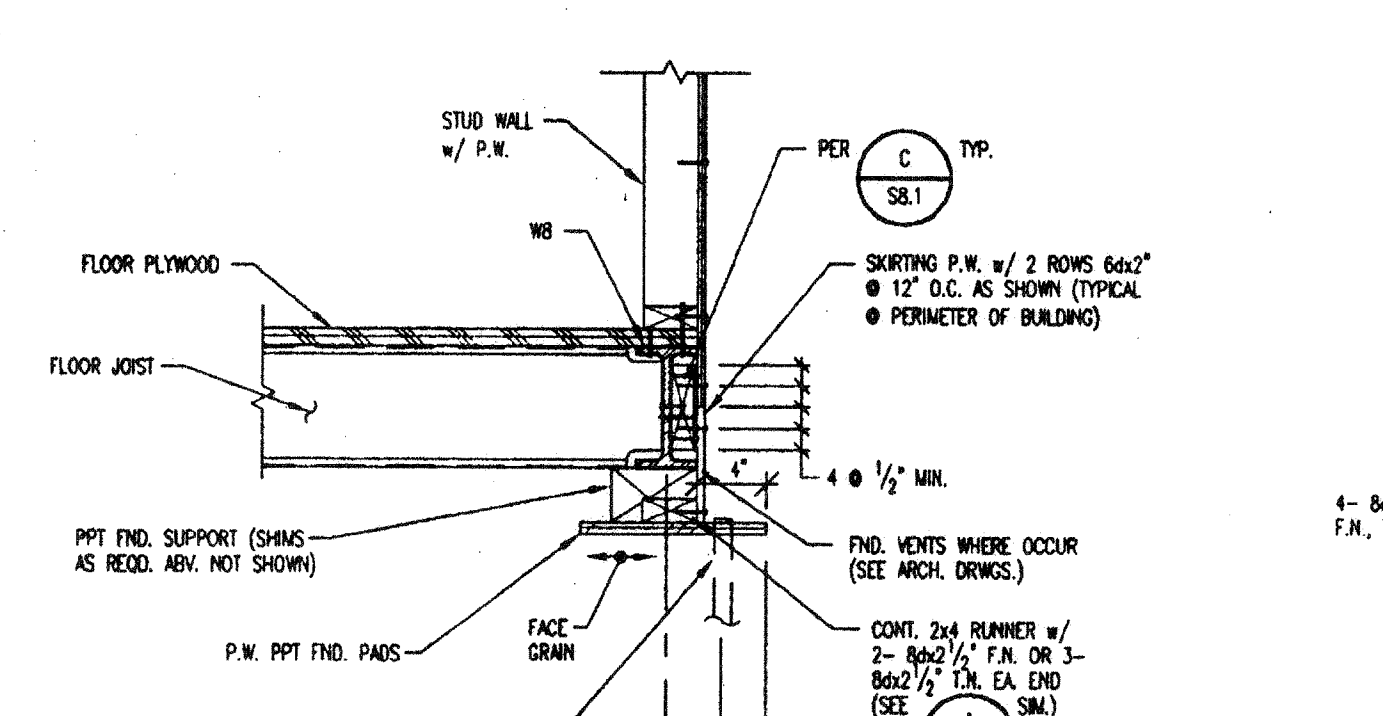
D DET. - FTG. AT ENDWALL & MOD. LINE (END WALL)
SCALE: 1" = 1'-0"



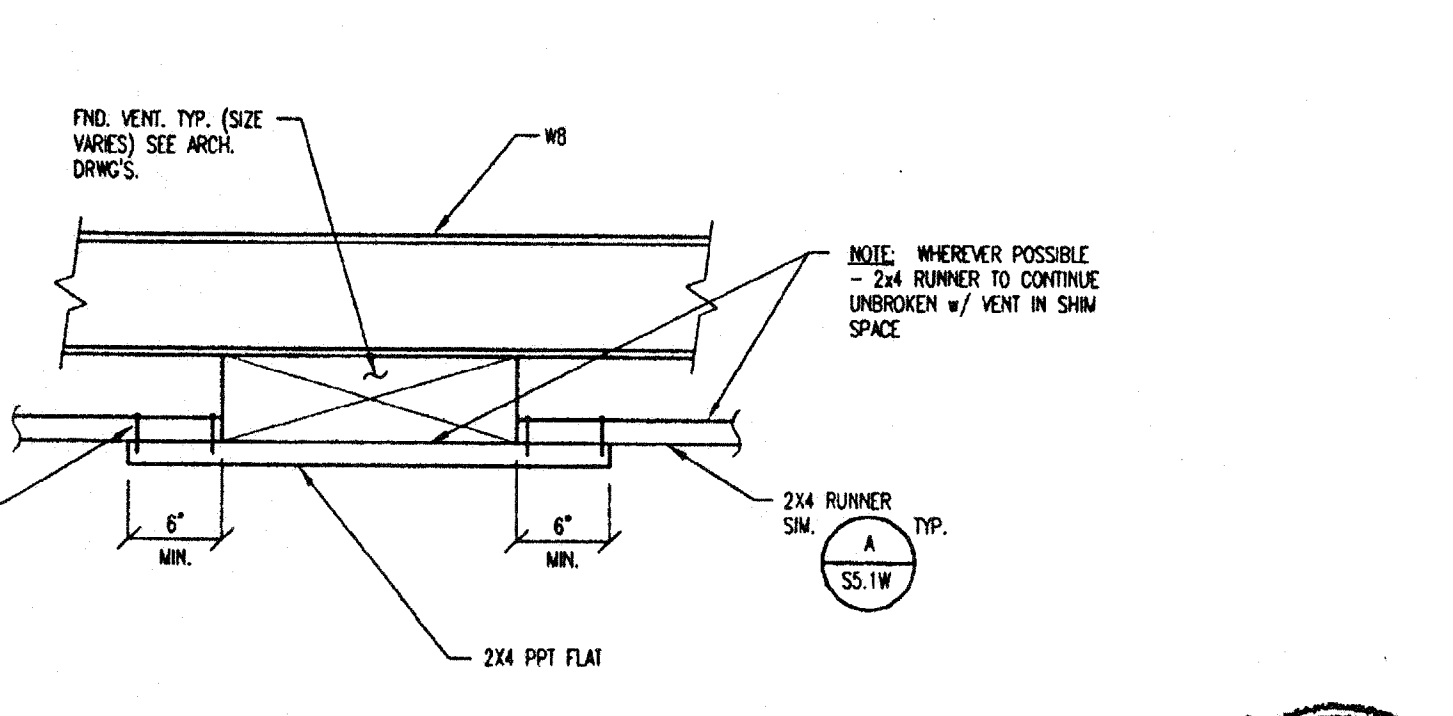
E DET. - FTG. @ CORNERS (ENDWALL)
SCALE: 1" = 1'-0"



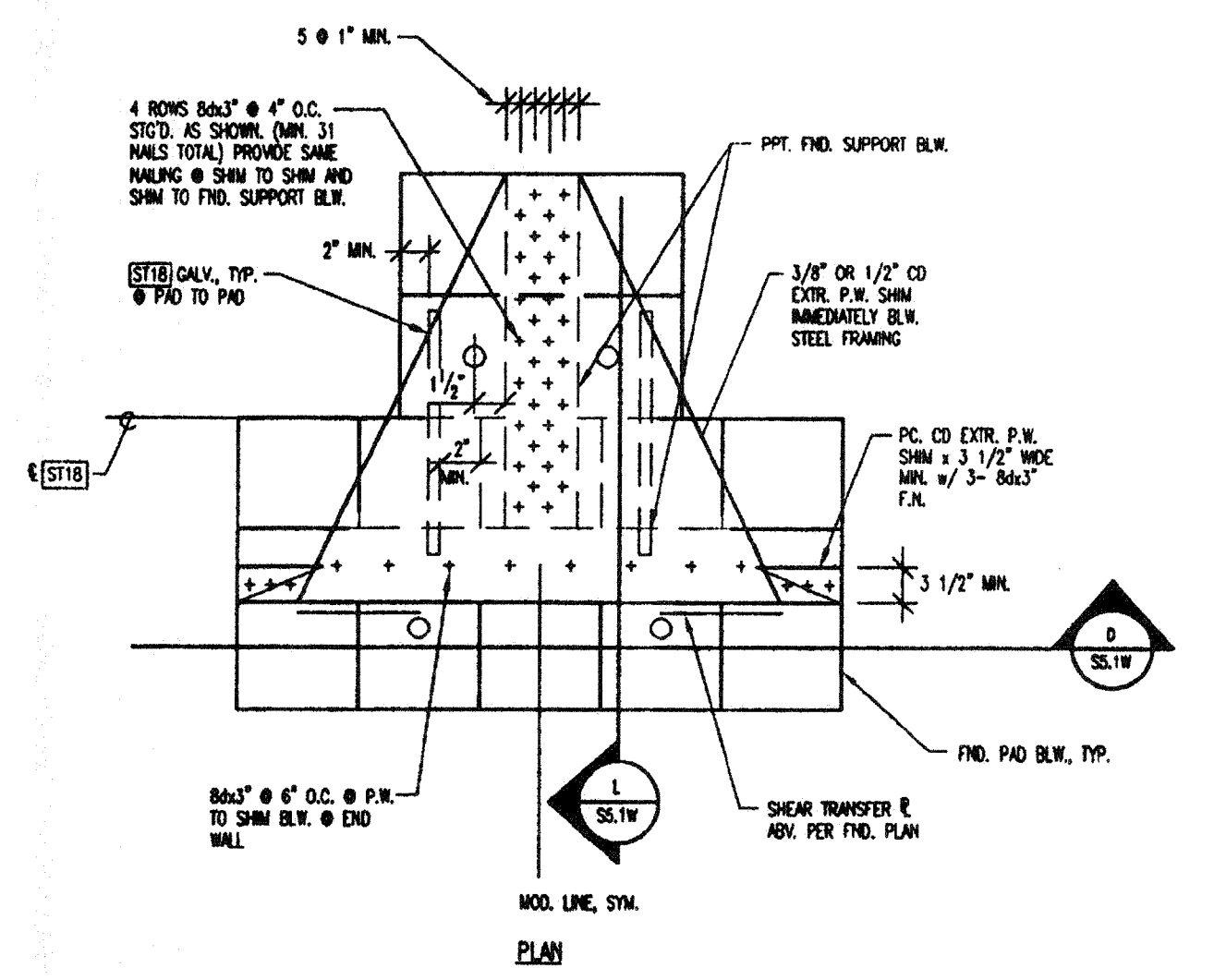
F DET. - FTG. @ CORNERS (SIDEWALL)
SCALE: 1" = 1'-0"



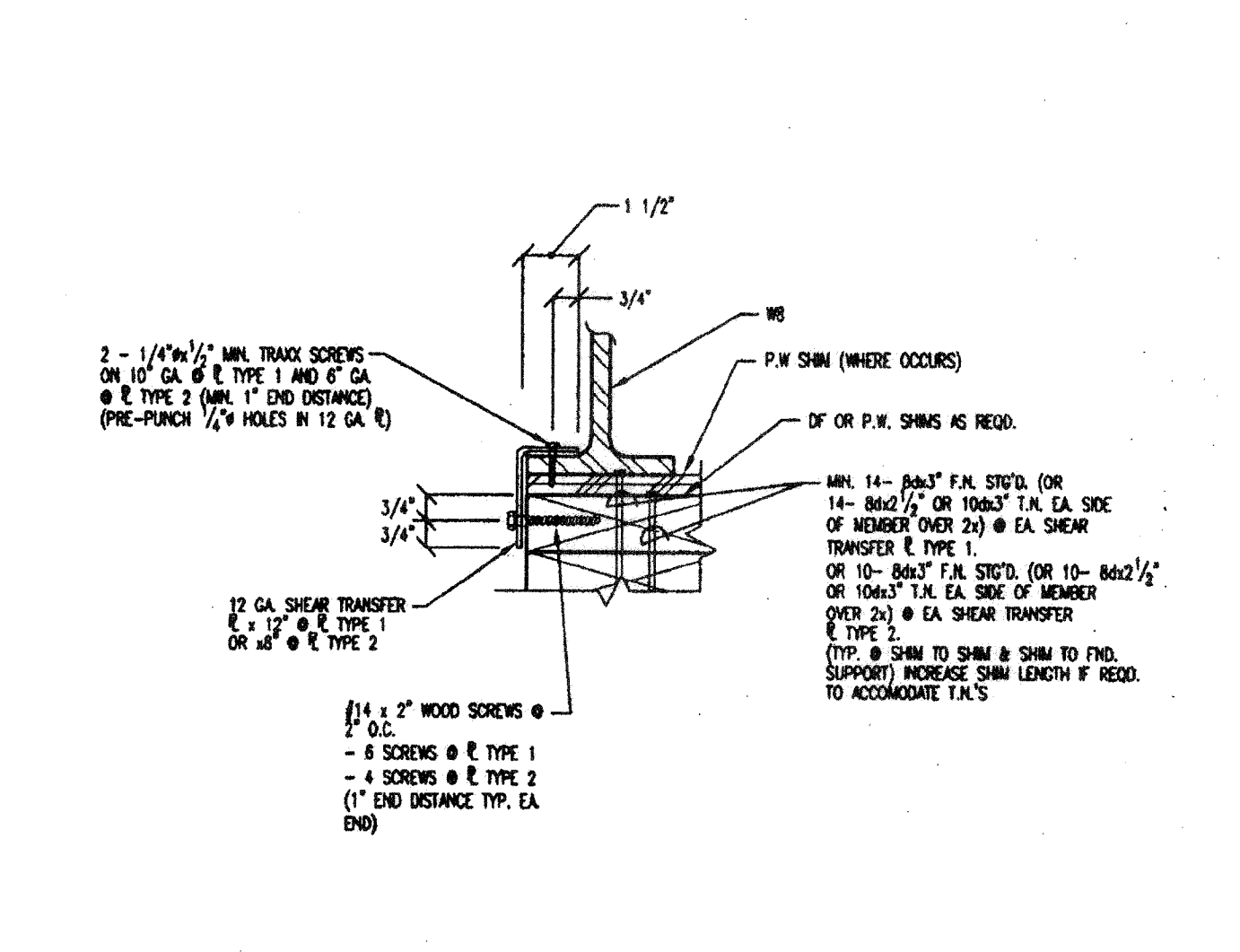
G DET. - TYP. SKIRTING (SIDEWALL SHOWN ENDWALL SIM.)
SCALE: 1" = 1'-0"



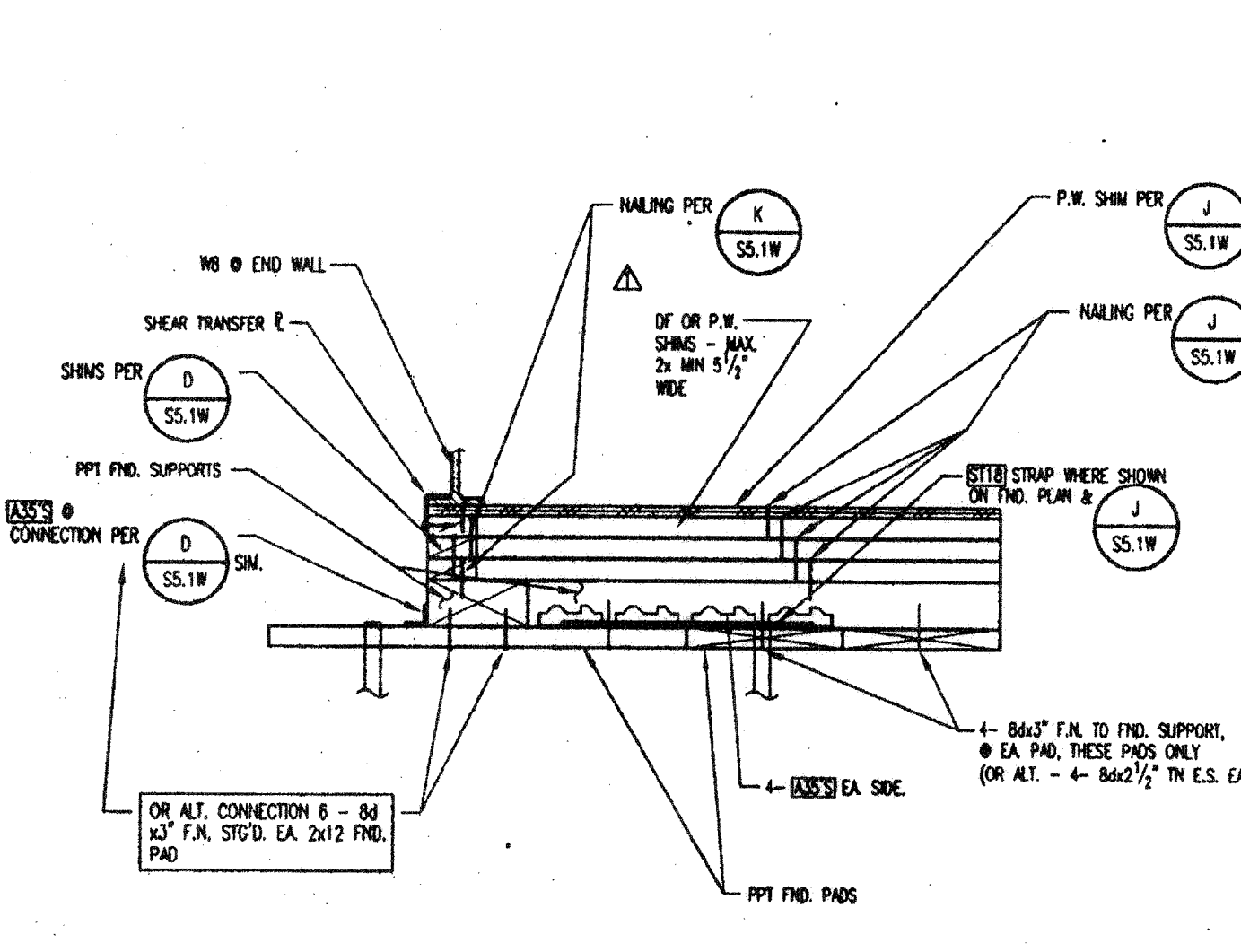
H DET. - FND. VENT (WHERE MIN. SHIMS REQ'D. AT ENDS)
SCALE: 1" = 1'-0"



J DET. - FTG. @ END WALL & MOD. LINE
SCALE: 1/4" = 1'-0"



K SHEAR TRANSFER @ FND.
SCALE: 1/4" = 1'-0"



L DET. - FTG. @ ENDWALL & MOD. LINE (ALONG MOD. LINE)
SCALE: 1/4" = 1'-0"