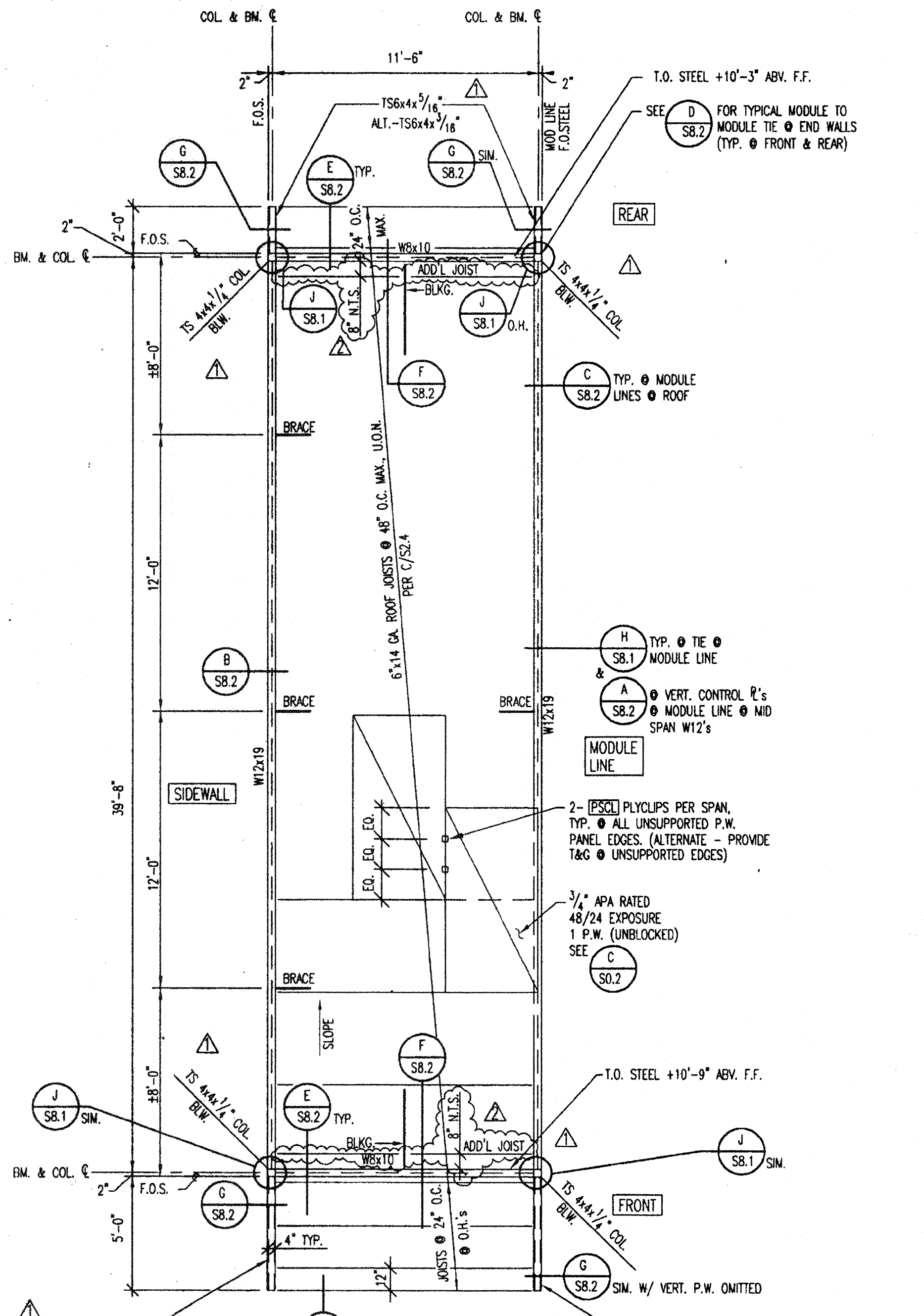


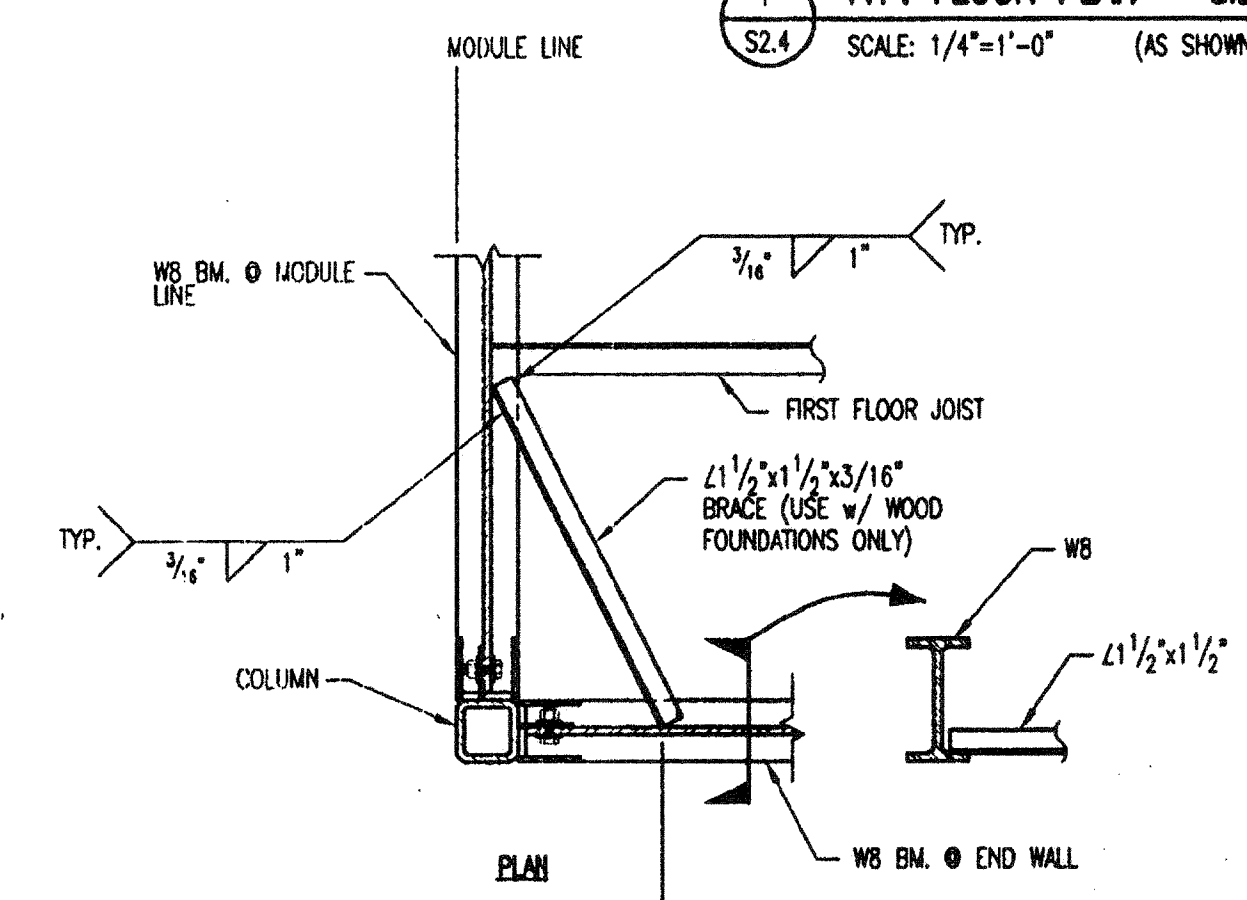
NOTES:
 1. FLOOR JOISTS SHALL BE UNPUNCHED LIGHT GAGE COLD FORMED STEEL JOISTS W/ MIN. PROPERTIES PER DETAIL B/S2.4.

1 TYP. FLOOR PLAN - SIDE WALL MODULE
 SCALE: 1/4"=1'-0" (AS SHOWN OR O.H.)

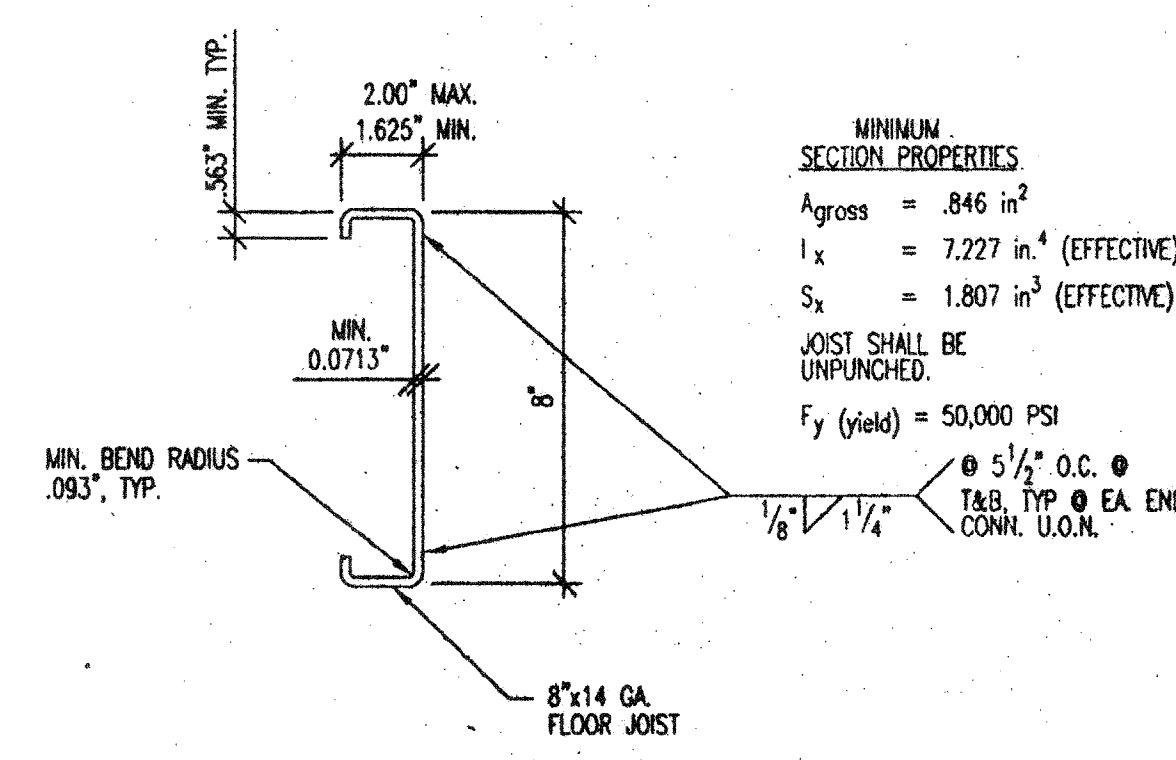


NOTES:
 1. ROOF JOISTS SHALL BE UNPUNCHED LIGHT GAGE COLD FORMED STEEL JOISTS W/ MIN. PROPERTIES PER DETAIL C/S2.4.
 2. PLACE NATURAL CAMBER OF W12 BEAMS UPWARD, TYPICAL.

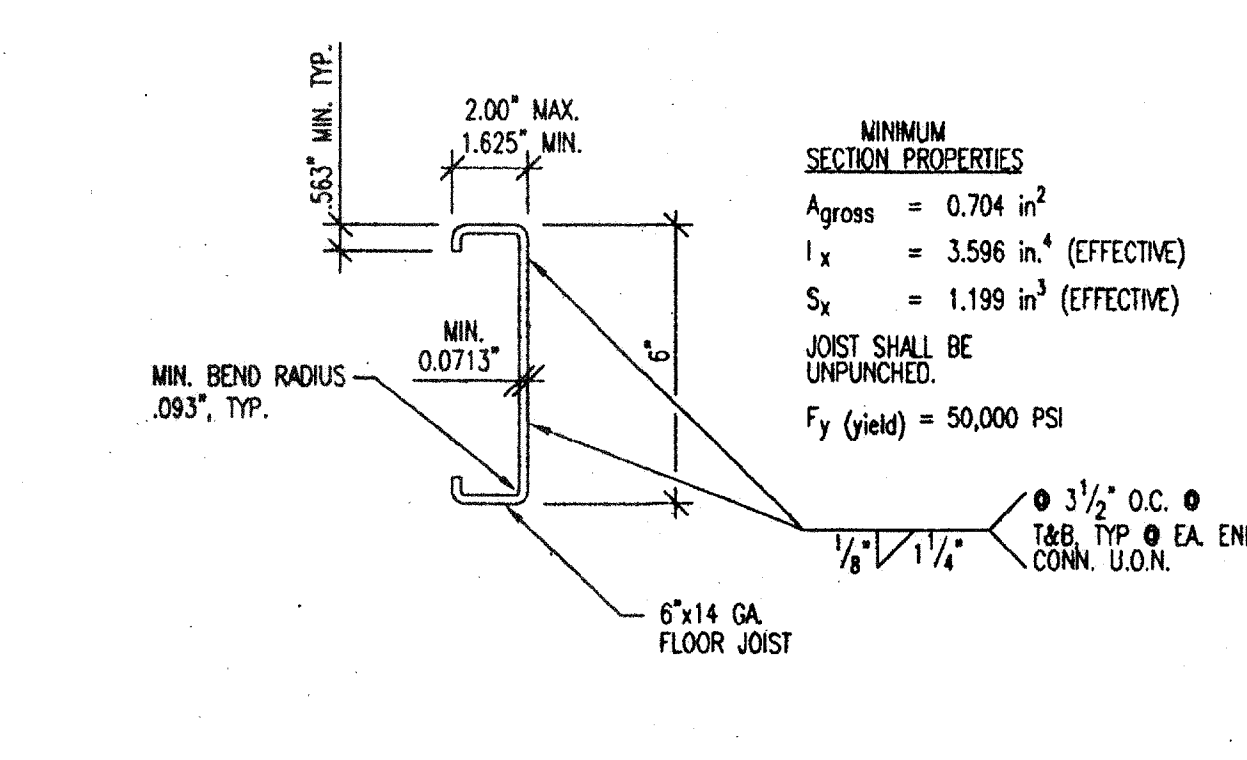
2 TYP. ROOF PLAN - SIDEWALL MODULE
 SCALE: 1/4"=1'-0" (AS SHOWN OR O.H.)



A DET. - BRACES IN FLOOR @ WOOD FND. @ MODULE LINE
 SCALE: 1"=1'-0"



B DETAIL - TYPICAL FLOOR JOIST SECTION
 SCALE: 1/4"=1'-0"



C DETAIL - TYPICAL ROOF JOIST
 SCALE: 1/4"=1'-0"

FILE #15-6
 IDENTIFICATION STAMP
 DIV. OF THE STATE ARCHITECT
 OFFICE OF REGULATION SERVICES
 03-118272
 AC. [initials] ELS [initials] SS [initials]
 DATE NOV - 2017
 TRACKING #63321-292

IDENTIFICATION STAMP
 DIV. OF THE STATE ARCHITECT
 OFFICE OF REGULATION SERVICES
 PC-330
 DATE 2-1-97

DESIGN (1989 CBC)	24'x40' BLDG.
ROOF LINE LOAD	= 20 PSF MIN
FLOOR LINE LOAD	= 50 PSF MIN
WIND	= 75 MPH up c
SEISMIC ZONE	= 4

REVISIONS	BY
5-22-97	BD
6-30-97	BD

PACESETTER INDUSTRIES, INC.
 P.O. BOX 1151, ANDREWS, CA 95335 (209) 521-1600
24X40 RELOCATABLE BUILDING
 TYPICAL FLOOR & ROOF PLANS & DETAILS - SIDEWALL MODULES

REGISTERED PROFESSIONAL ENGINEER
 BRUCE D. DOIG
 No. 2522
 Structural Engineering
 STATE OF CALIFORNIA
 EXPIRES 3-31-00

ANDERSON & DOIG
 STRUCTURAL ENGINEERS
 A CALIFORNIA CORPORATION
 9708 TRACER LANE, STE 100, SACRAMENTO, CA 95827-2511
 (916) 366-9822

DRAWN JR
 CHECKED BD/PLS
 DATE 6-30-97
 SCALE AS NOTED
 JOB NO. 97007 P5PC1
 SHEET

S2.4
 21 SHEETS