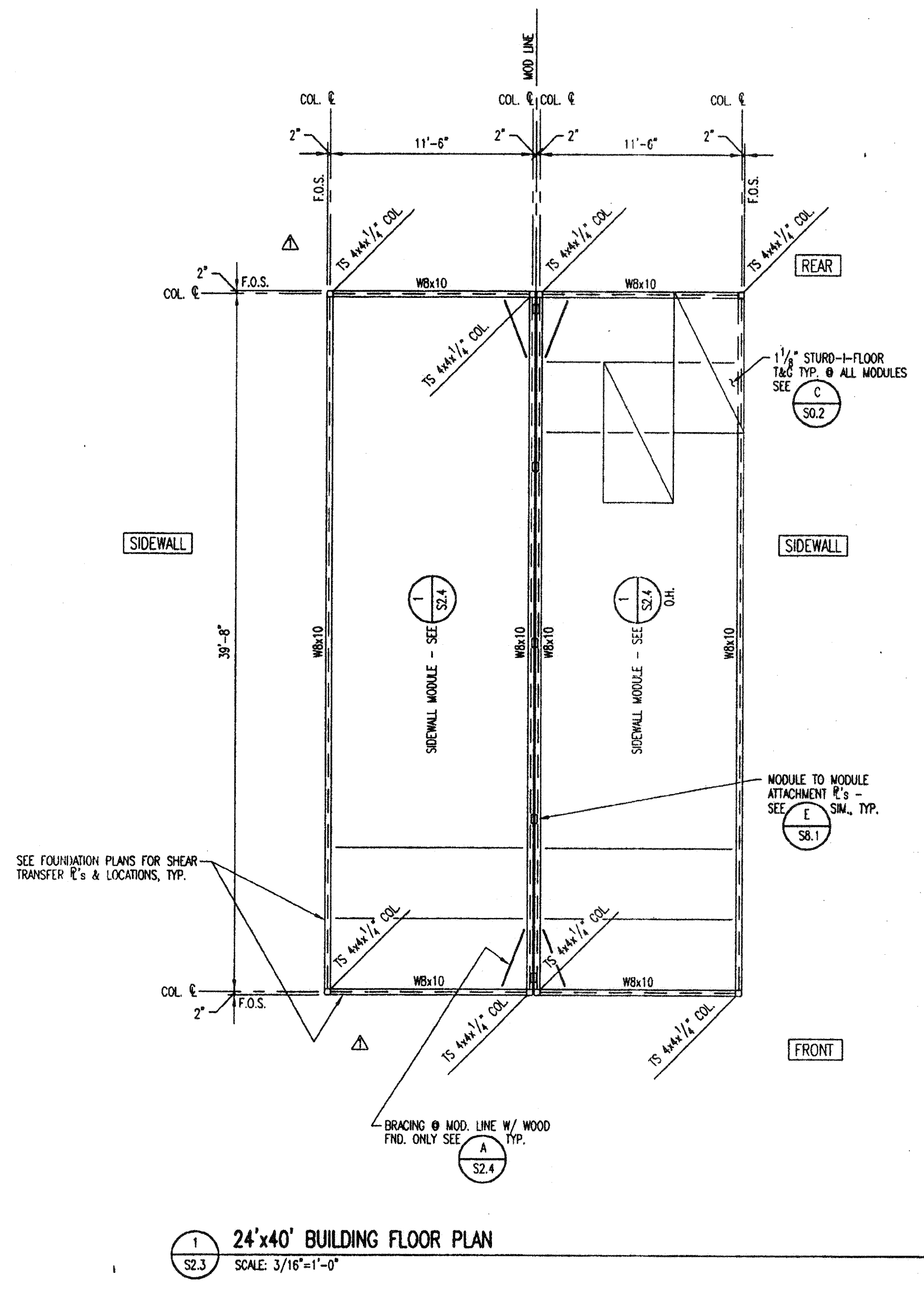
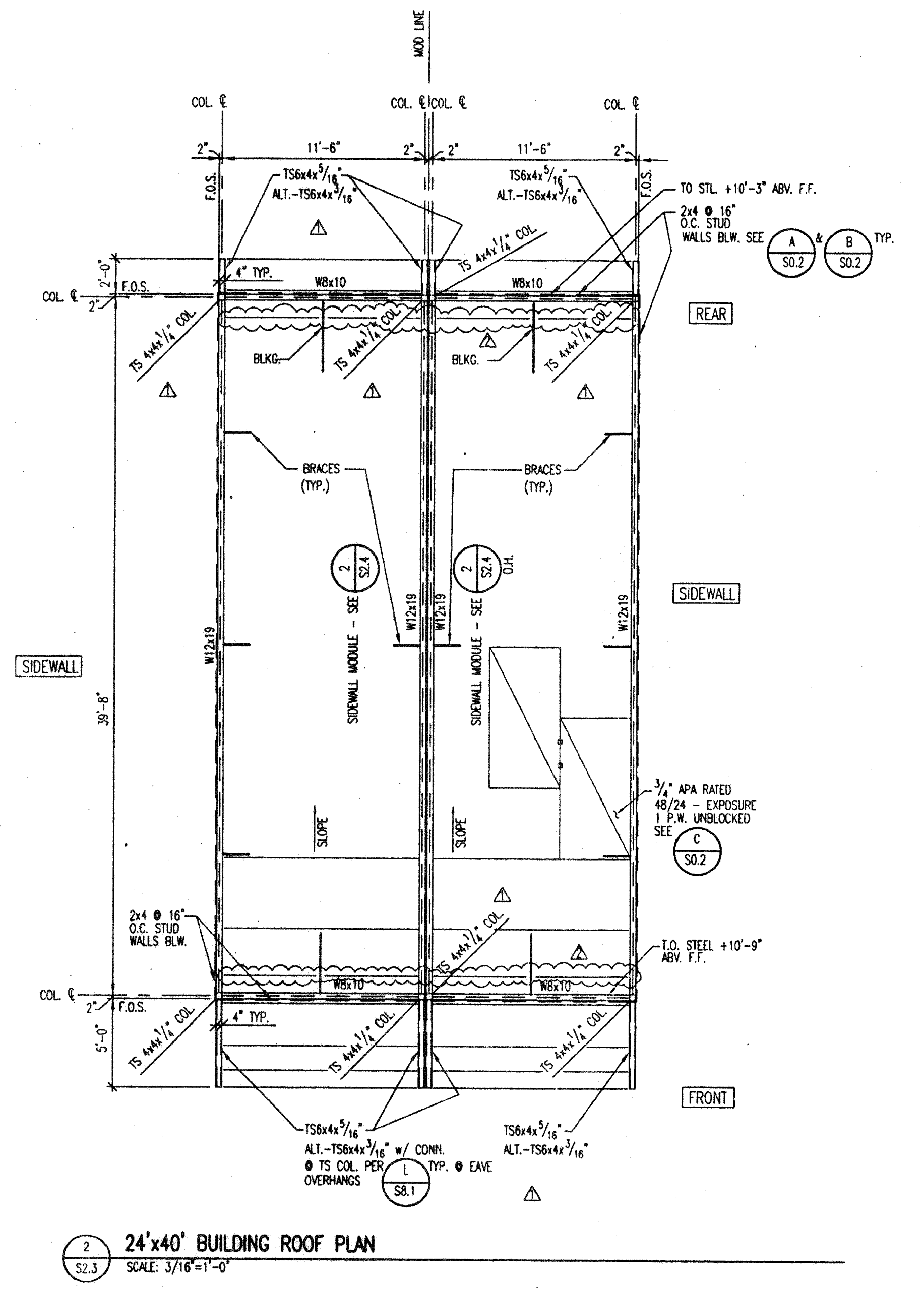


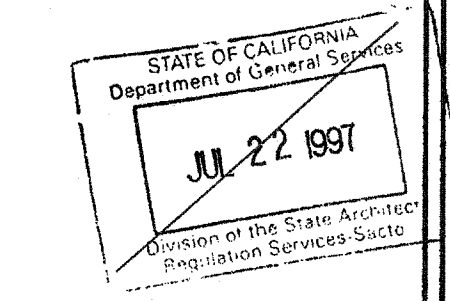
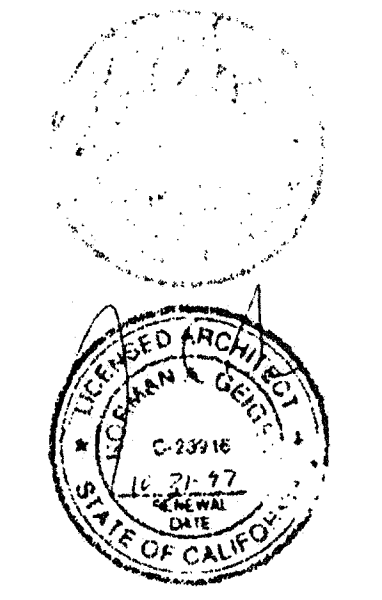
REVISIONS	BY
Δ 5-22-97	BD
Δ 6-30-97	BD



1 24'x40' BUILDING FLOOR PLAN
SCALE: 3/16"=1'-0"



2 24'x40' BUILDING ROOF PLAN
SCALE: 3/16"=1'-0"



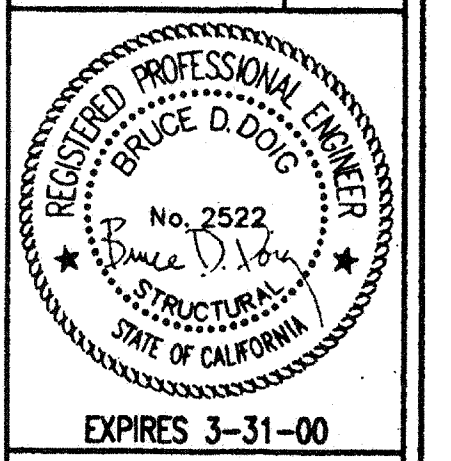
FILE # 15-6
IDENTIFICATION STAMP
DIV. OF THE STATE ARCHITECT
OFFICE OF REGULATION SERVICES
03-118272
AC: PLS: SS: CL
DATE: NOV 6 1997
TRACKING #: 63241-292

Δ - REVISED
IDENTIFICATION STAMP
DIV. OF THE STATE ARCHITECT
OFFICE OF REGULATION SERVICES
PC-330
DATE: 2-1-97

24'x40' BLDG.

DESIGN (1995 CBC)	
ROOF LIVE LOAD	= 20 PSF
FLOOR LIVE LOAD	= 50 PSF
WIND	= 75 MPH
SEISMIC ZONE	= 4

PACESETTER INDUSTRIES, INC.
P.O. BOX 1131, MODOesto, CA 95333 (209) 521-1600
24x40 RELOCATABLE BUILDING
FLOOR AND ROOF PLANS



ANDERSON & DOIG
STRUCTURAL ENGINEERS
1008 PLACER LANE, STE. 100, SACRAMENTO, CA 95833
(916) 346-9622

DRAWN	JR
CHECKED	BD/PLS
DATE	6-30-97
SCALE	AS NOTED
JOB NO.	97007 PSPC1
SHEET	