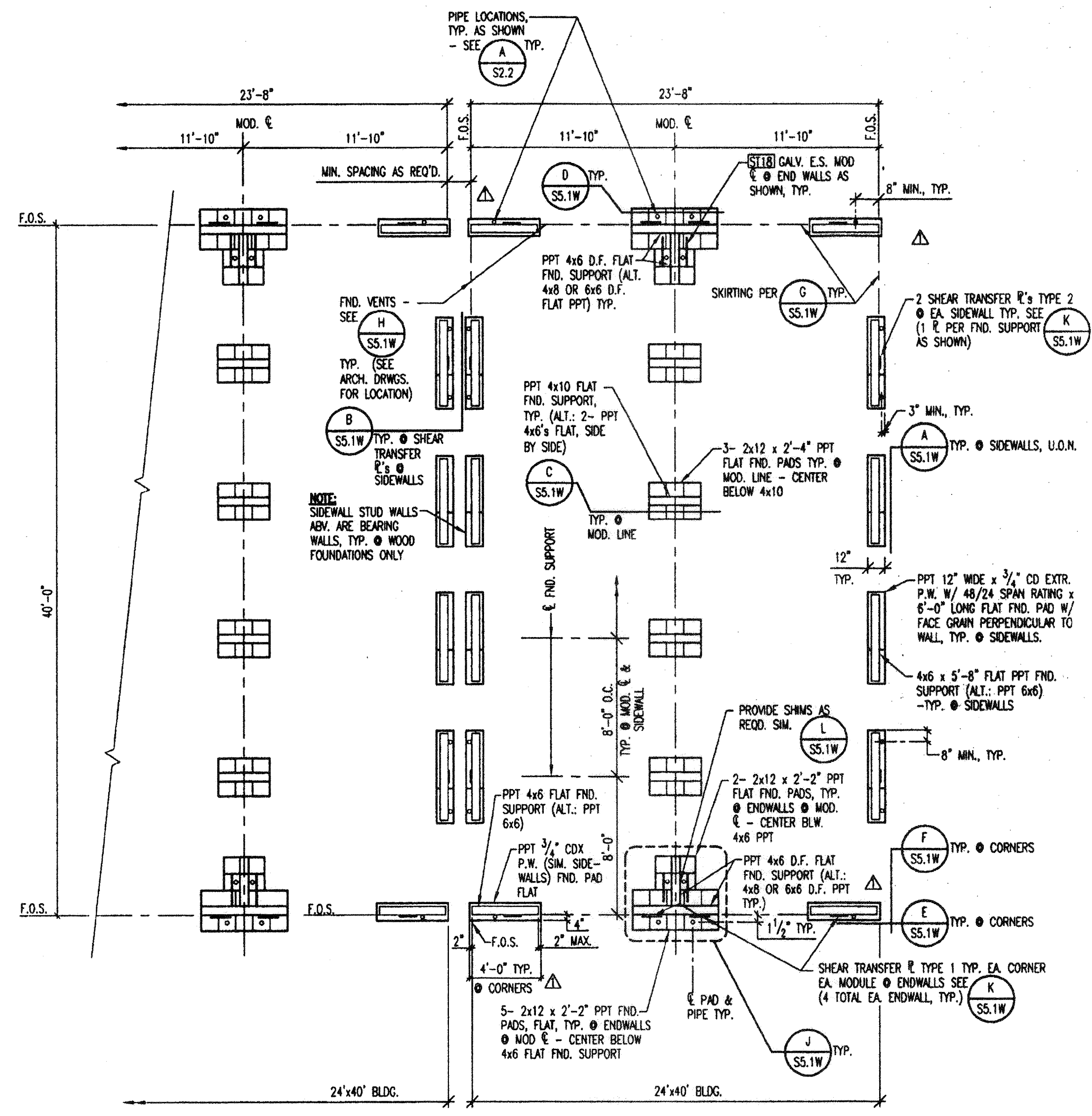
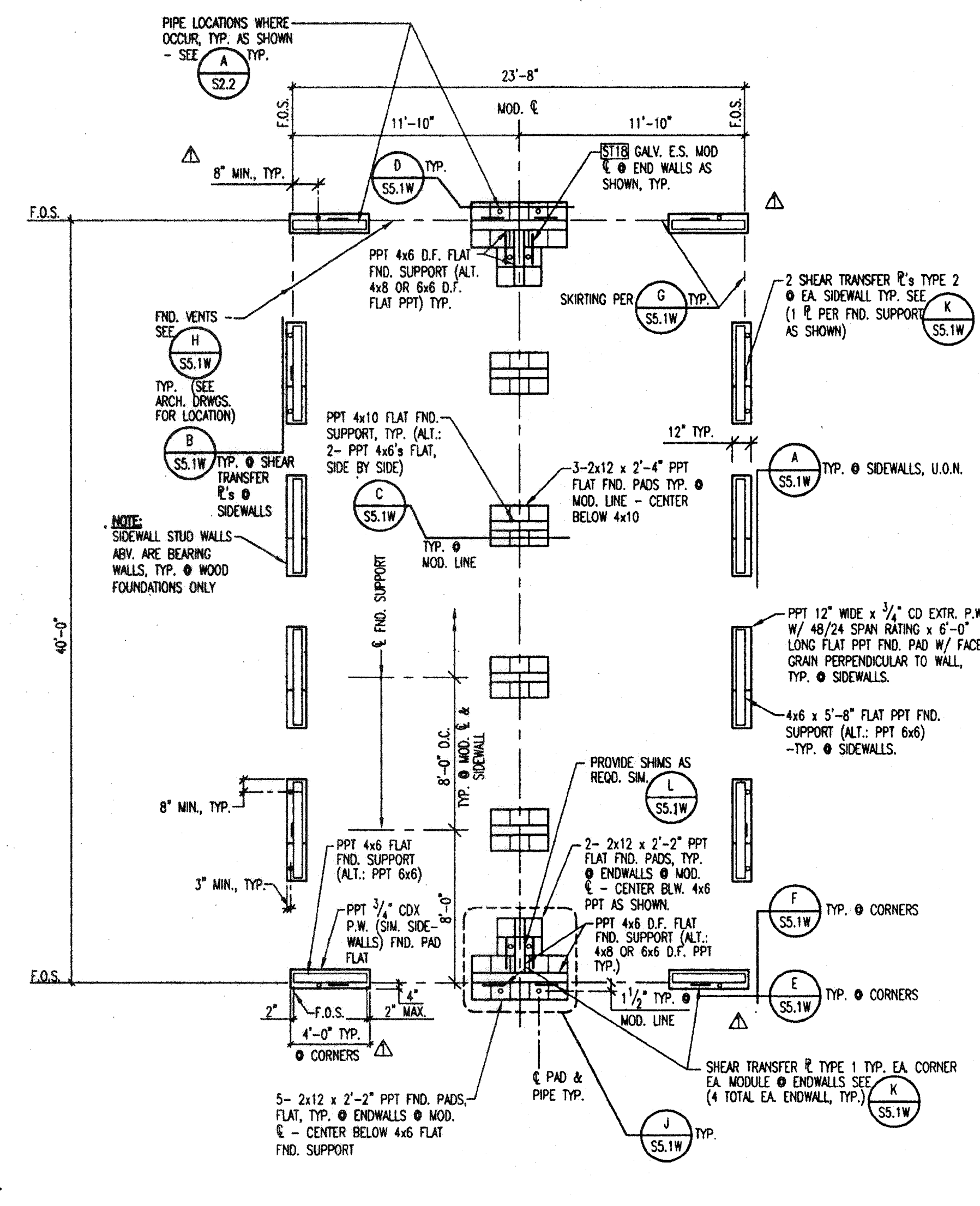


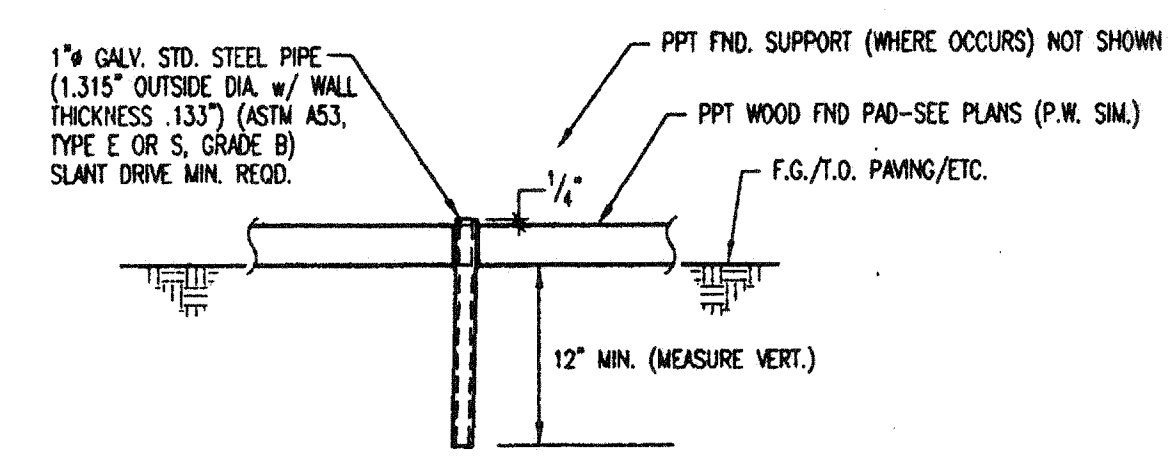
REVISIONS	BY
Δ 5-13-97	BD
Δ 6-30-97/NO CHANGE	BD



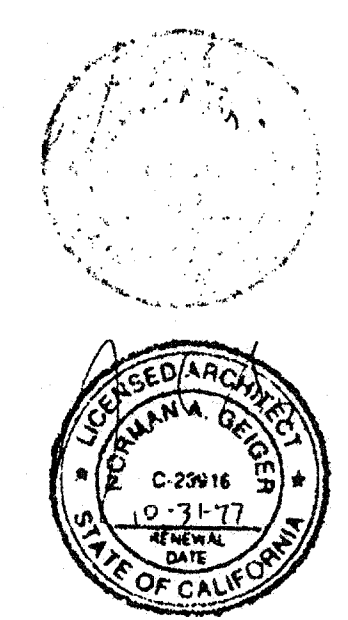
1 MULTIPLE 24'x40' BLDG. WOOD FOUNDATION PLAN  
SCALE: 3/16"=1'-0"



2 24'x40' BLDG. WOOD FOUNDATION PLAN  
SCALE: 3/16"=1'-0"



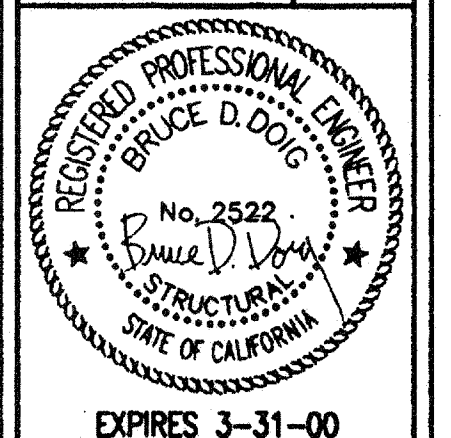
A TYPICAL PIPE RESTRAINT DETAIL  
N.T.S. (SEE PLANS ABOVE FOR LOCATIONS)



**PACESETTER INDUSTRIES, INC.**  
P.O. BOX 1131, REDDING, CA 96003 (209) 521-1600

**24x40 RELOCATABLE BUILDING**

WOOD FOUNDATION PLANS



FILE #15-6  
IDENTIFICATION STAMP  
DIV. OF THE STATE ARCHITECT  
OFFICE OF REGULATION SERVICES  
03-118272  
AC: FLS: SS: a  
DATE: NOV - 8 1997  
TRACKING #: 63321-292

Δ - REVISED  
IDENTIFICATION STAMP  
DIV. OF THE STATE ARCHITECT  
OFFICE OF REGULATION SERVICES  
PC-330  
DATE: 5-1-97

DESIGN (1995 CBC)	
ROOF LINE LOAD	= 20 PSF MIN
FLOOR LINE LOAD	= 50 PSF
WIND	= 15 MPH @ C
SEISMIC ZONE	= 4

ANDERSON & DOIG  
STRUCTURAL ENGINEERS  
A CALIFORNIA CORPORATION  
1000 PRINCE LANE, STE. 100, SACRAMENTO, CA 95834  
(916) 486-8800

DRAWN: JR  
CHECKED: BD/PLS  
DATE: 6-30-97  
SCALE: AS NOTED  
JOB NO: 97007 PSPC1  
SHEET

S2.2  
1 of 21 SHEETS