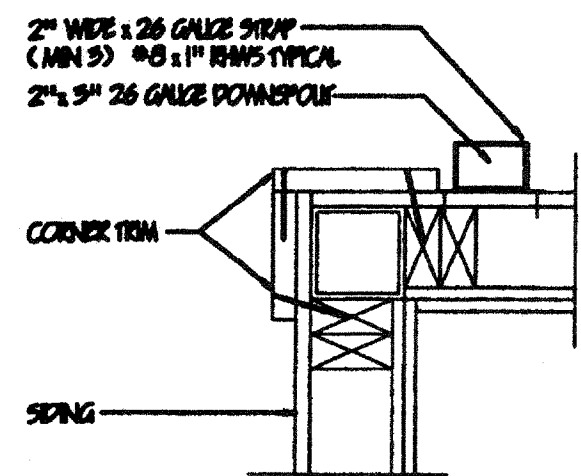


**ROOM FINISH SCHEDULE**

NO.	ROOM OR AREA NAME	FLOOR		WALLS			CEILING	CEILING HEIGHT	NOTES
		FLOOR	BASE	W-1	W-1	W-1	C-1	8'-6"	
101	CLASSROOM	CARPET	RUBBER	W-1	W-1	W-1	C-1	8'-6"	

**FINISH SCHEDULE LEGEND (SEE SPECS SHEET A1):**

- CARPET (F-1) COMPLY WITH SOME OF CALIFORNIA STANDARD SPECIFICATIONS, COMPLYING WITH GROUP 1, TYPE A OR TYPE B, CLASS 2, PERRY 4600, TIGHT GLUE DOWN.
- RUBBER (B-1) 1/2" X 1/2" RUBBER, IN MIN. 4" LENGTHS.
- WALLS (W-1) 1/2" VINYL COVERED GYPSUM BOARD, CLASS II, OVER 1/2" GYPSUM BOARD INSULATION.
- CEILING (C-1) ACCIDENTAL LAY IN GRID CEILING PANELS.



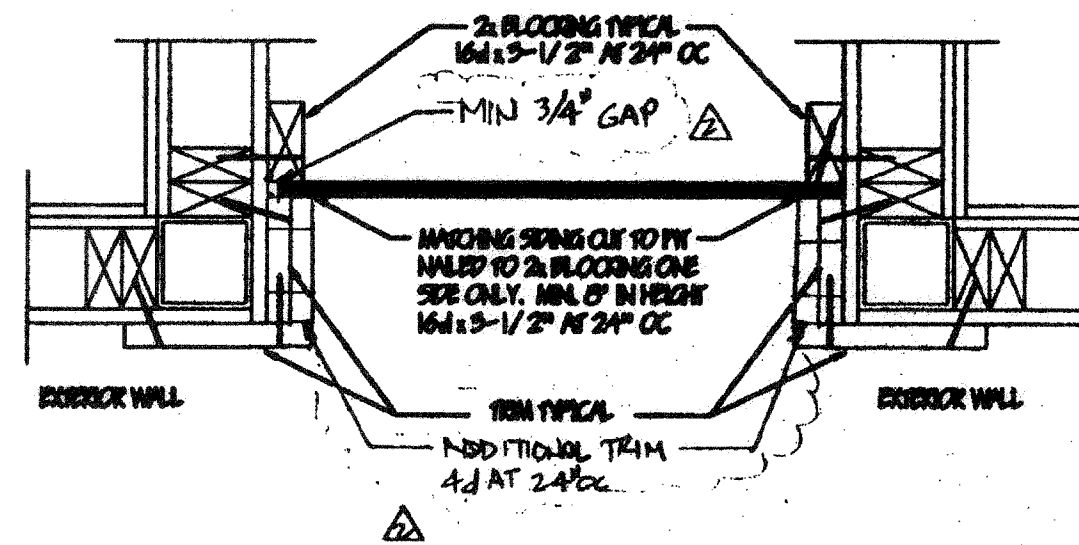
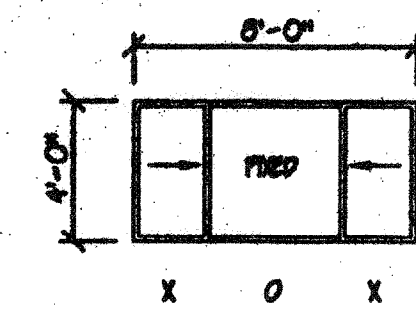
**DOWNSPOUT** SCALE 1/2" = 1'-0"

**WINDOW SCHEDULE**

NO.	FRAME OPENING SIZE	TYPE	MATERIAL	FINISH	GLASS TYPE	HEAD	JAMB	SILL	NOTES
A	8'-0" x 4'-0"	XXL	ALUM	ANODIZED	G-1	8/12	8/12	10/12	ALUMINUM SCREENS ON OPERABLE PANS

G-1 (SEE SPECS SHEET A1)

**WINDOW TYPES**



**CLOSURE FOR ADJACENT UNITS** SCALE 1/2" = 1'-0"

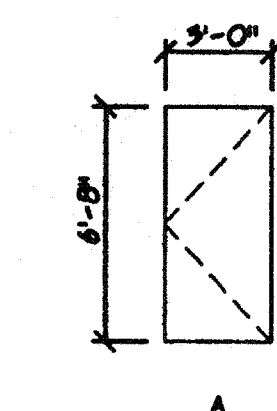
**DOOR SCHEDULE**

DOOR NO.	FRAME OPENING SIZE	MATERIAL	TYPE	FIRE RATED	INSULATION	FRAMES	HEAD	JAMB	SILL	NOTES	
											CLASS
1	7'-0" x 6'-0"	HM	A	NR	IA	HM	1	2/12	4/12	8-1/4"	

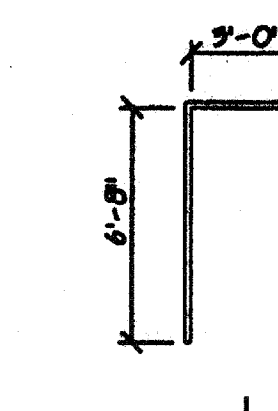
DOOR NOTES: DOOR HANDLES FOR LOCKSETS TO BE CENTERED AT 50" AFF.

- HARDWARE TO BE OPERABLE FROM THE INSIDE UNLESS ANY SPECIAL KNOWLEDGE OR SPECIAL LEVERS TO RETURN TO WITHIN 1/2" OF FLOOR.
- ALL DOORS SHALL BE 1-3/4" THICK.
- WEATHERSTRIP, VISION PANES, WITH WIRE GLASS.

**DOOR TYPES**



**FRAME TYPES**



- HARDWARE SCHEDULE: IA LOCKSET: SCHLAGE D70, CLASSROOM OR EQUIV., TO MATCH DETAIL WITH LEVER (CREED BY DETAIL).
- HURTS: 1-1/2" X 2" PIN WOODS 1279 HW, 4-1/2" x 1-1/2" OR EQUIV., WITH NON-REMOVABLE PIN.
- CLOSER: NORDON 870N 877V OR EQUIV. (FRONT) 271A OR EQUIV. (REAR) 280A OR EQUIV. (TOP) 289N OR EQUIV.

FILE # 15-6  
 IDENTIFICATION STAMP  
 DIV. OF THE STATE ARCHITECT  
 OFFICE OF REGULATION SERVICES  
 03-118272  
 AC. FLS. / SS. CC  
 DATE NOV - 8 2017  
 TRACKING #: 63321-292

**GENERAL NOTES**

- INSTALL ON ALL NOPILES, MECHANICALLY ATTACHED TO EXISTING OR BUILDING TO SHOW PERMANENT LOCATION, UNLESS OTHERWISE NOTED AND SHOWN NUMBER AND ROOM AND FLOOR DESIGN LINE LISTS.
- INSULATION MATERIALS INSTALLED WITHIN FLOOR-CEILING ASSEMBLIES, ROOF-CEILING ASSEMBLIES, WALLS, CROWN SPACES, OR ATTICS SHALL HAVE A FLAME SPREAD RATING NOT TO EXCEED 25 AND A SMOKE DENSITY NOT TO EXCEED 450.
- WHEN MATERIALS ARE INSTALLED WITHIN CONCEALED SPACES, THE FLAME SPREAD AND SMOKE DEVELOPMENT RATINGS DO NOT APPLY TO FACINGS IF THE FACINGS ARE INSTALLED IN SUBSTANTIAL CONTACT WITH THE UNEXPOSED SURFACES OF THE CEILING, FLOOR, OR WALL FINISHES. (SECTION 707.9 CBC)
- ALL FINISHES SHALL COMPLY WITH CBC CHAPTERS 5, 6, 7, 8, AND 10.
- PROVISION OF SURFACES TO ACCEPT SPECIFIED FINISHES IS BY THE FLOORING SUBCONTRACTOR. ANY PERFORMANCE INCLUDING, BUT NOT LIMITED TO, CONSTRUCTION PRACTICES, SHALL BE FILLED AND SIGNED BY FLOORING SUBCONTRACTOR. THE JOINT AT MORTAR LINE SHALL NOT BE LARGER THAN 1/8" AND SHALL BE FILLED AND SIGNED BY FLOORING SUBCONTRACTOR.
- MINIMUM LOCKED AS REQUIRED ABOVE FULL SECTION AND/OR EXTERIOR AT 90° AFF.

**SYMBOLS**

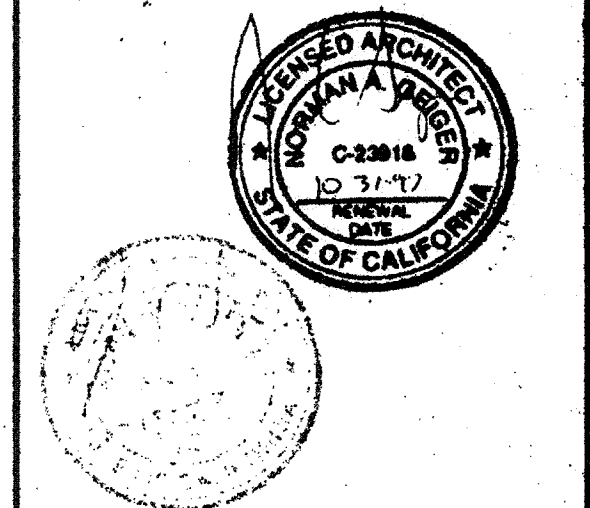
- REAR: EXTERIOR ELEVATION LOCATION SHEET NUMBER
  - REAR: EXTERIOR ELEVATION SHEET NUMBER LOCATION
  - ROOM SYMBOL
  - WINDOW SYMBOL
  - DOOR SYMBOL
  - CENTERLINE
  - PULLEX OPTICAL SWITCH
  - FIRE EXTINGUISHER + 45° AFF
  - FULL SECTION AND/OR JUNCTION BOX
  - MINIMUM AND/OR JUNCTION BOX
  - WALL MOUNTED LIGHT FIXTURE
- ABBREVIATIONS:  
 AFF: ABOVE FINISH FLOOR  
 AL OR ALUM: ALUMINUM  
 PS: POWER SUPPLY  
 FOS: FACE OF STUD  
 HM: YELLOW METAL  
 HMAL: ANODIZED ALUMINUM  
 HW: HARDWARE  
 NO: NUMBER  
 NR: NOT RATED  
 CW: COVERING  
 PK: FIREWEATHERPROOF

**APPROVALS**

IDENTIFICATION STAMP  
 DIV. OF THE STATE ARCHITECT  
 OFFICE OF REGULATION SERVICES  
 PC 330  
 DATE: FEB 28, 1997  
 REV. #2: JUN 20, 1997  
 DRAWING SCALE: AS SHOWN  
 PROJECT NUMBER: 91-02  
 SHEET: A2

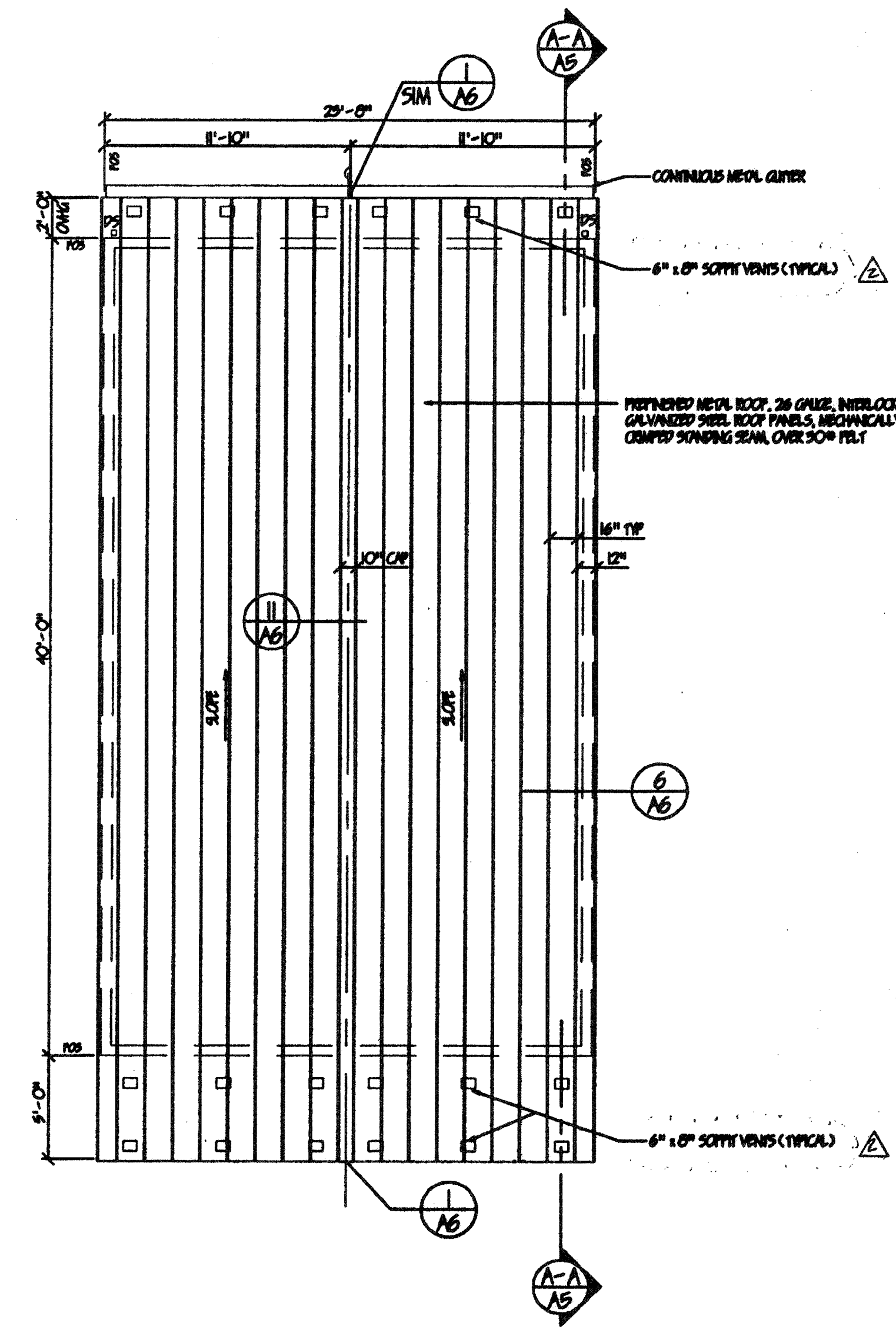
**NORMAN A. GEIGER**  
 AIA, CSI, CDT, ICBQ  
 P.O. BOX 41064  
 Sacramento, CA 95841  
 (916) 332-2453 FAX  
 (916) 332-2453 PHONE

**RAFICS ARCHITECTURAL SERVICES**  
**GEIGER**

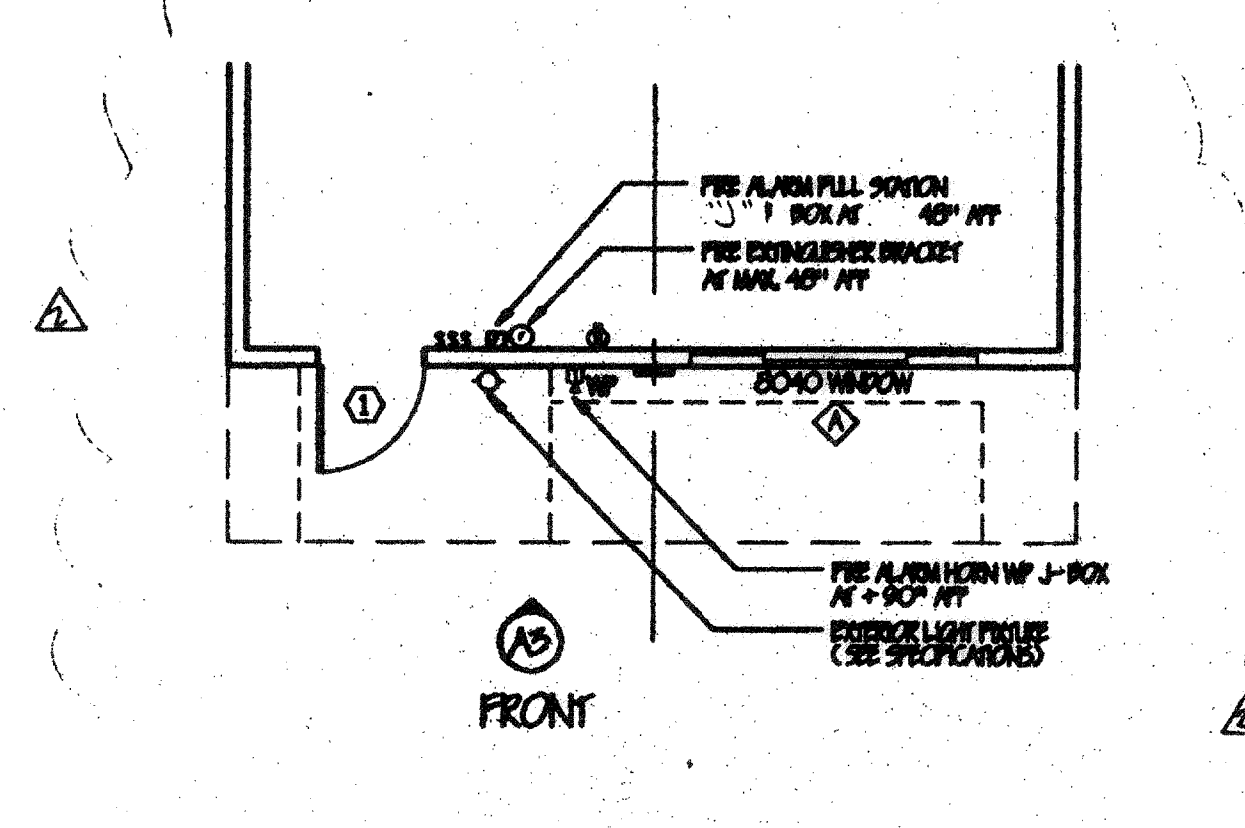


**PACESETTER INDUSTRIES, INC.**  
**24x40 RELOCATABLE BUILDING**  
 P.O. BOX 1151, MCKINSTER, CA 95035 (909) 521-1600

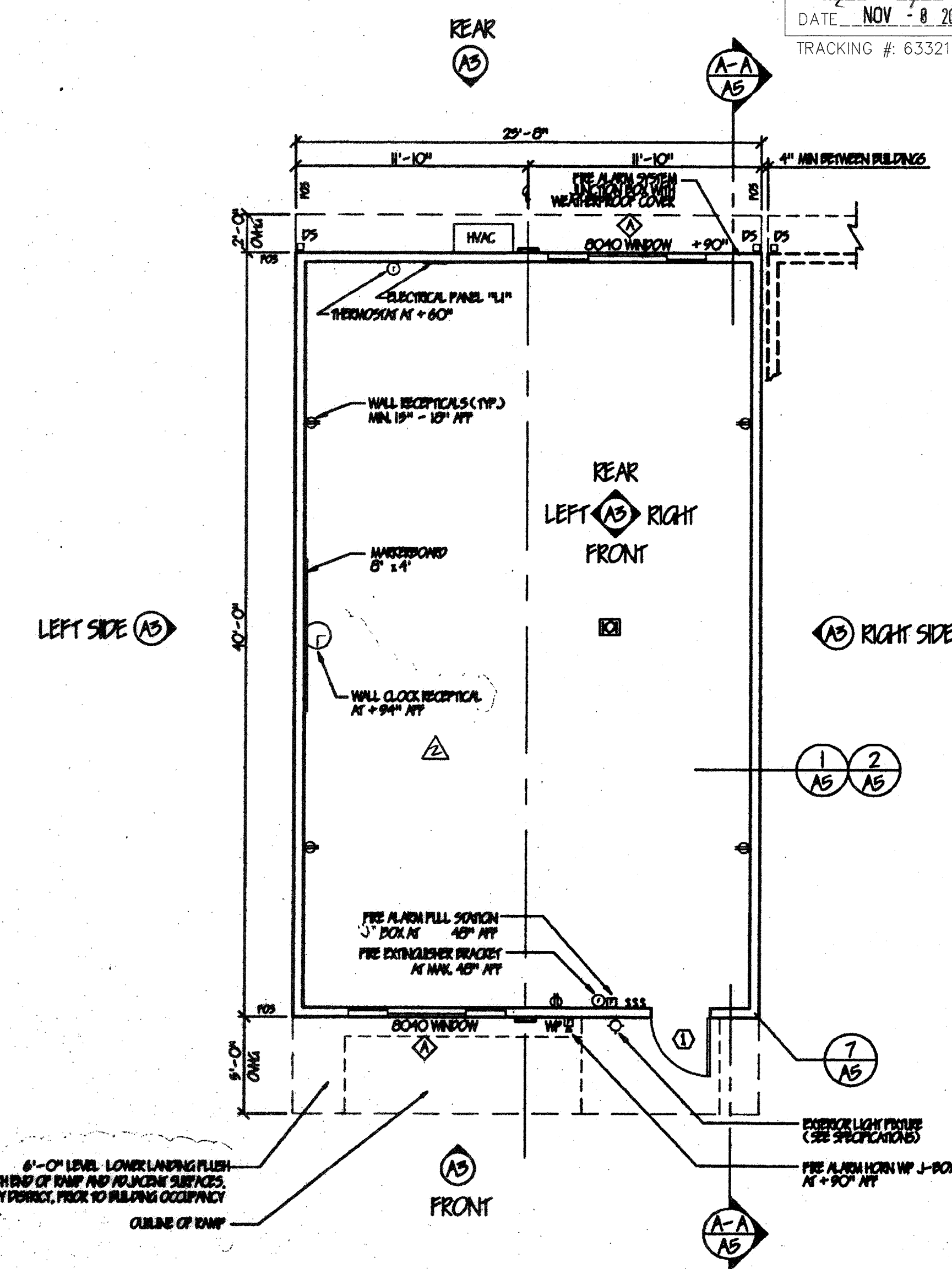
SHEET CONTENTS:  
 FLOOR PLAN  
 ROOF PLAN  
 DOOR SCHEDULE  
 DOOR NOTES  
 WINDOW SCHEDULE  
 FINISH SCHEDULE  
 ABBREVIATIONS  
 GENERAL NOTES  
 DETAILS



**24'x40' BUILDING ROOF PLAN** SCALE 1/4" = 1'-0"



**24'x40' ALT. FRONT PLAN** SCALE 1/4" = 1'-0"



**24'x40' BUILDING FLOOR PLAN** SCALE 1/4" = 1'-0"