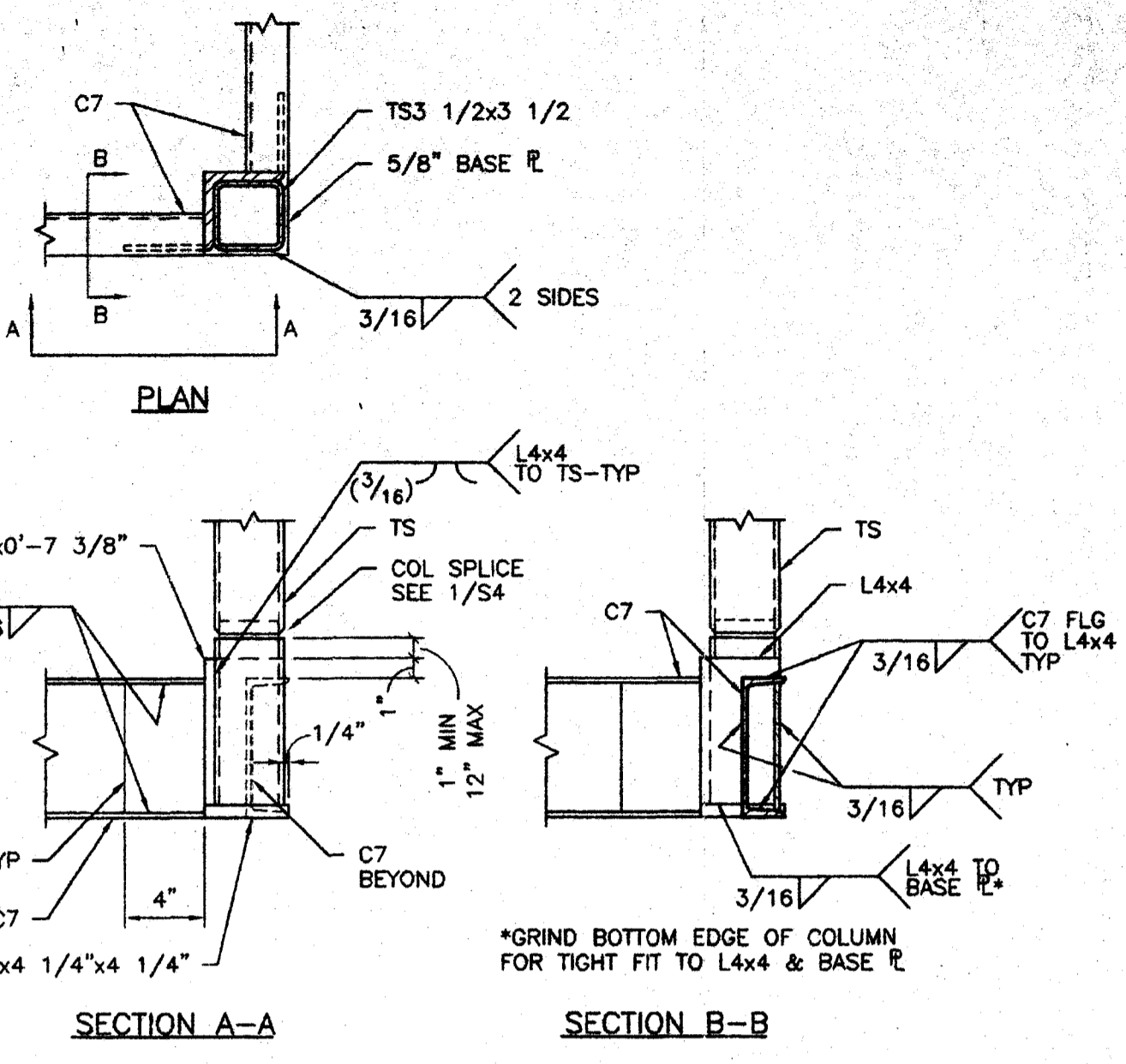
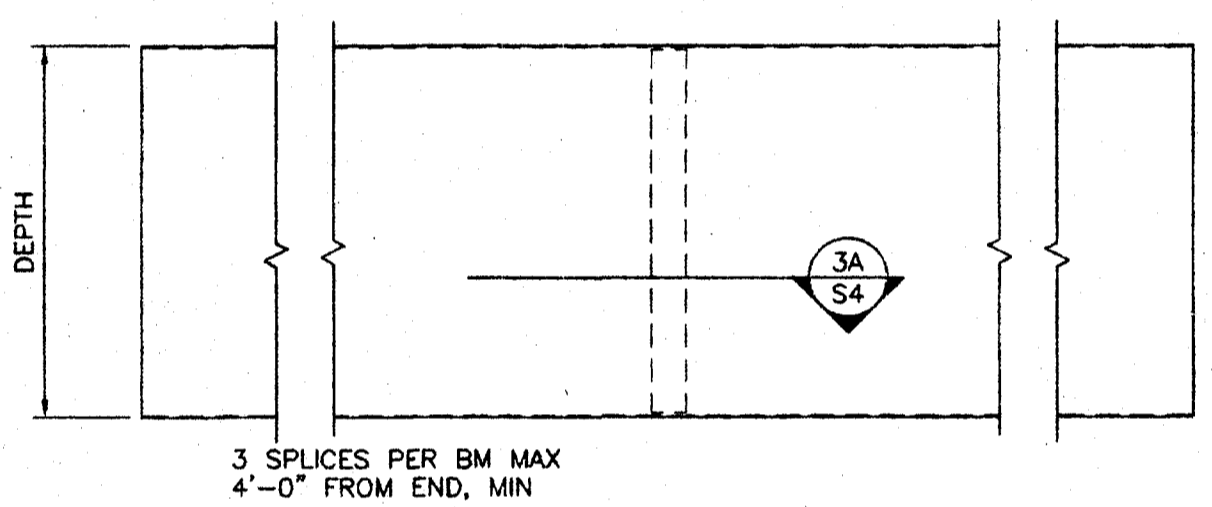


THE WELDING PROCEDURE QUALIFICATION TEST RECORD AND WELDING PROCEDURE SPECIFICATION FOR THIS WELD SHALL BE PREPARED IN ACCORDANCE WITH AWS D.1.1-89 AND SUBMITTED TO THE STRUCTURAL ENGINEER FOR REVIEW AND SUBMITTAL TO THE DSA. TYPICAL DETAILS 1/S4, 2/S4 AND 3A/S4. ALL WELDS USED IN PRIMARY MEMBERS AND CONNECTIONS IN THE LATERAL FORCE-RESISTING SYSTEMS SHALL BE MADE WITH A FILLER METAL THAT HAS A MINIMUM CHARPY V-NOTCH TOUGHNESS OF 20 FT-LBS AT MINUS 20 DEGREES F, AS DETERMINED BY AWS CLASSIFICATION OR MANUFACTURER CERTIFICATION.

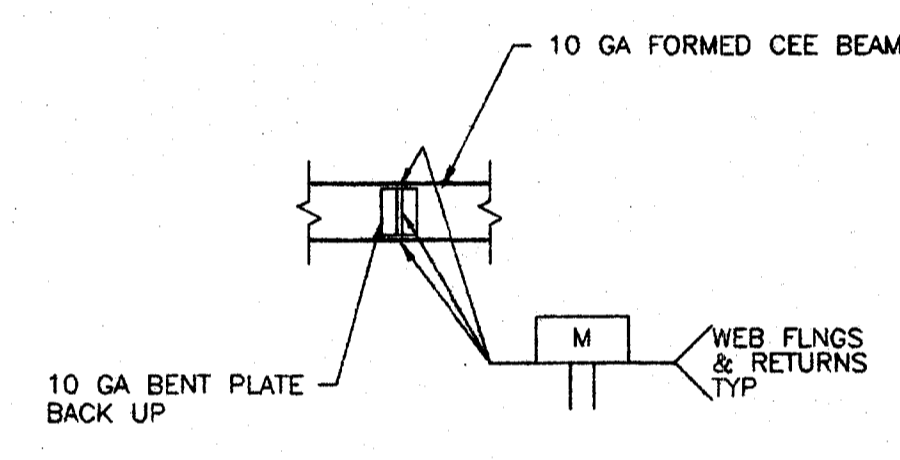


TOP CONNECTION DETAIL  
1/S4 1 1/2" = 1'-0"

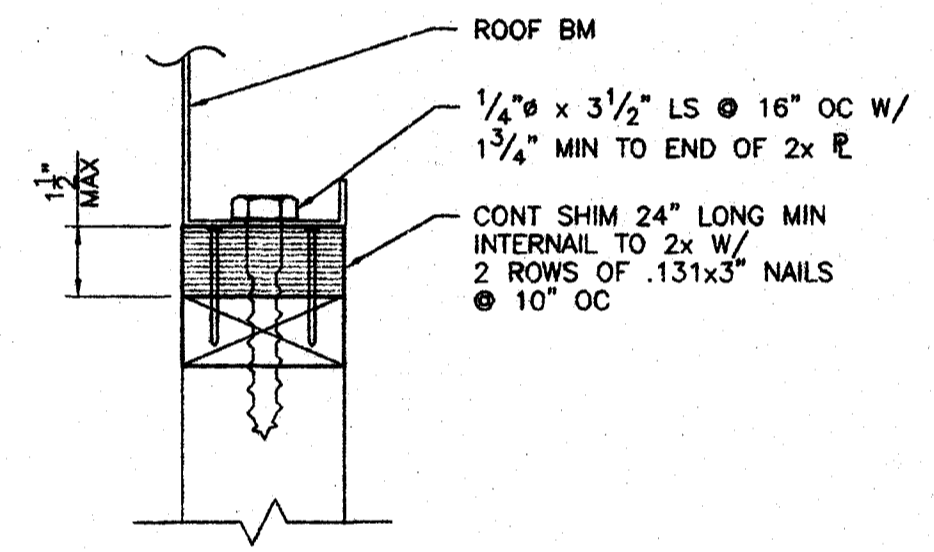
BOTTOM CONNECTION DETAIL  
2/S4 1 1/2" = 1'-0"



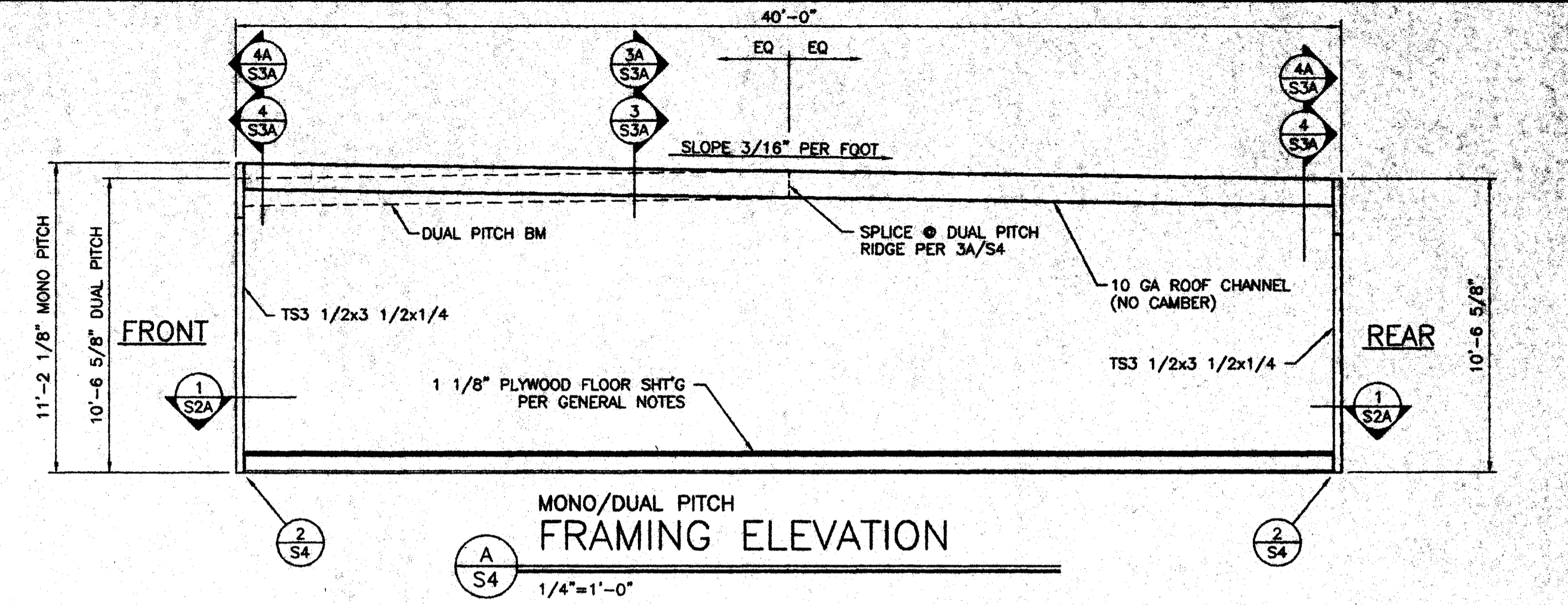
OPTIONAL BEAM SPLICE LOCATION DETAIL  
3/S4 NO SCALE



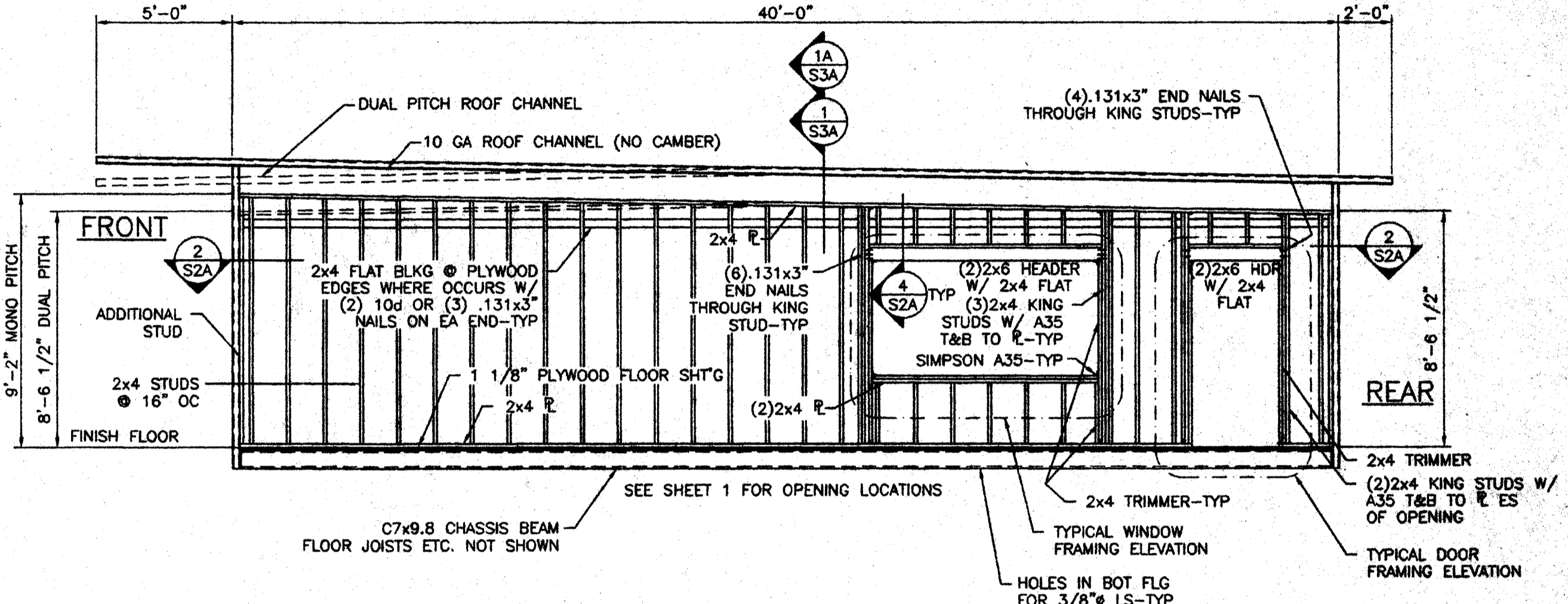
BEAM SPLICE DETAIL  
3A/S4 1 1/2" = 1'-0"



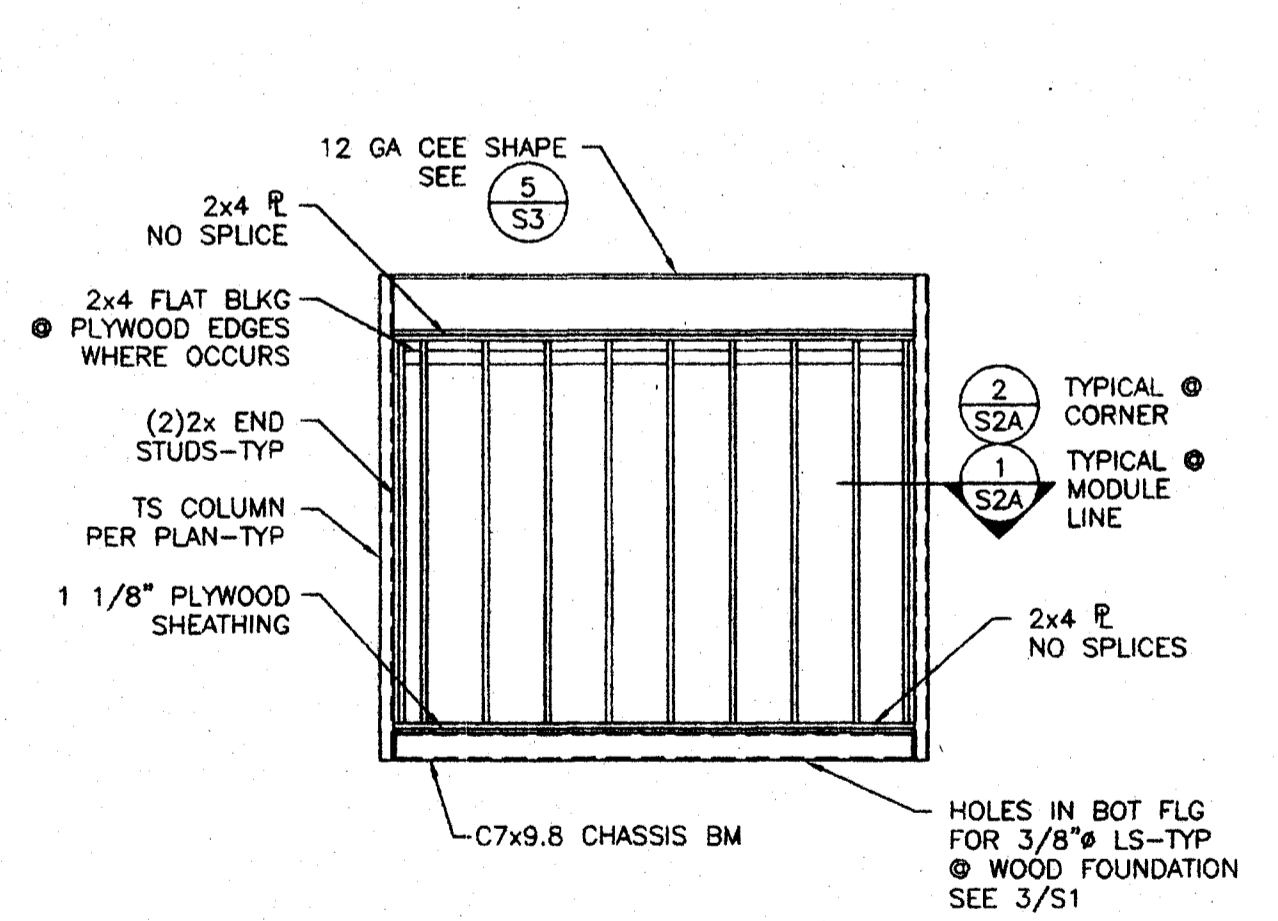
OPTIONAL SHIM & SIDEWALL/ENDWALL SIM DETAIL  
4/S4 1 1/2" = 1'-0"



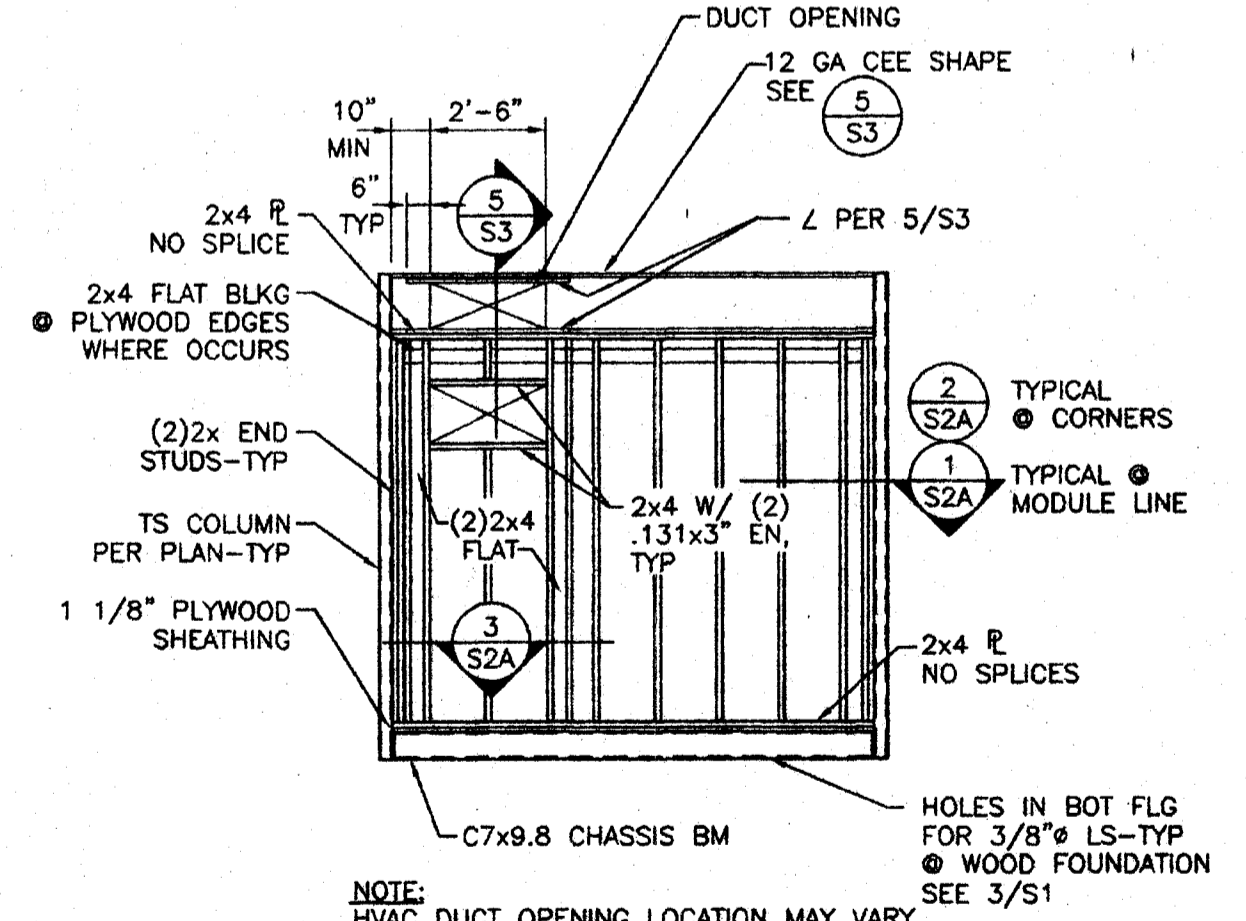
MONO/DUAL PITCH FRAMING ELEVATION  
A/S4 1/4" = 1'-0"



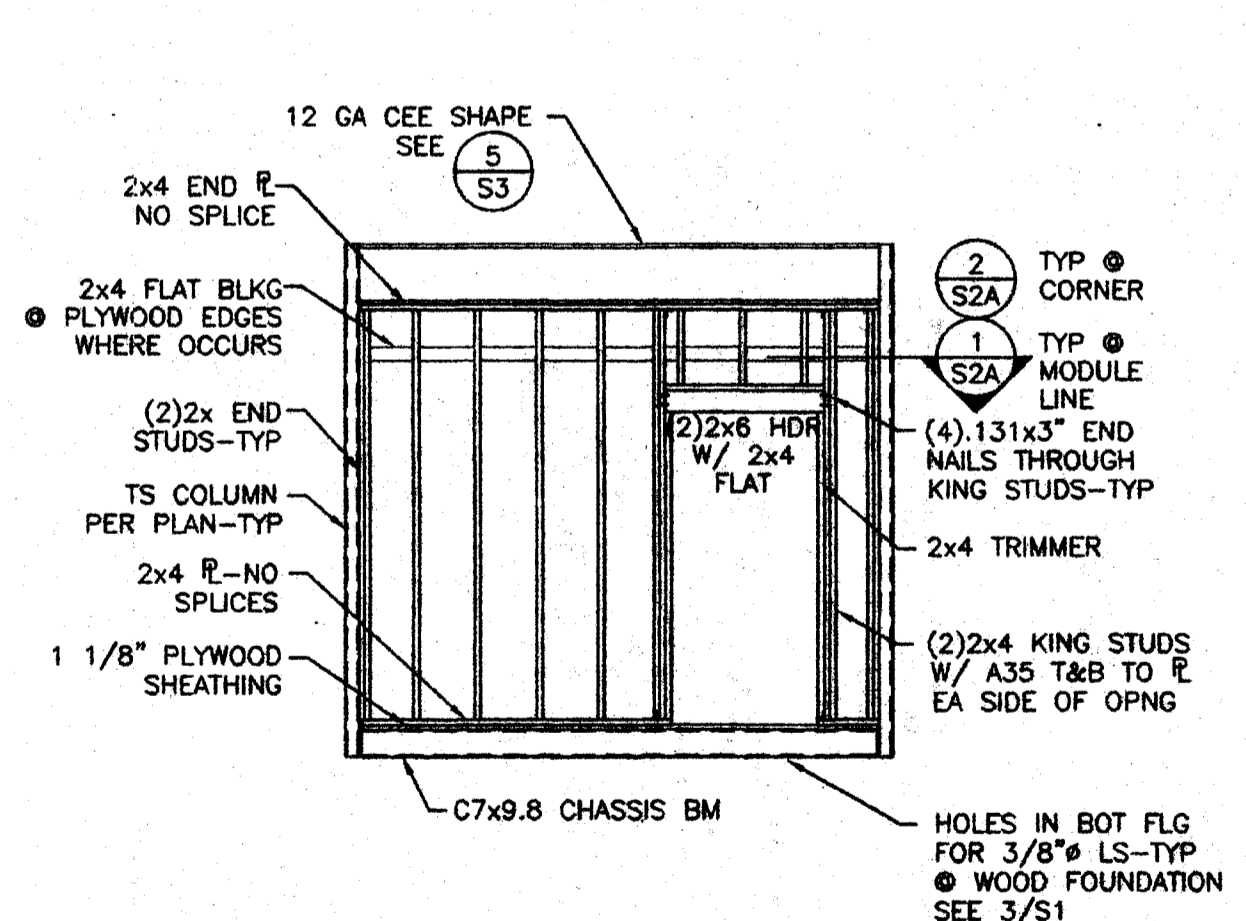
MONO/DUAL PITCH FRAMING ELEVATION  
B/S4 1/4" = 1'-0"



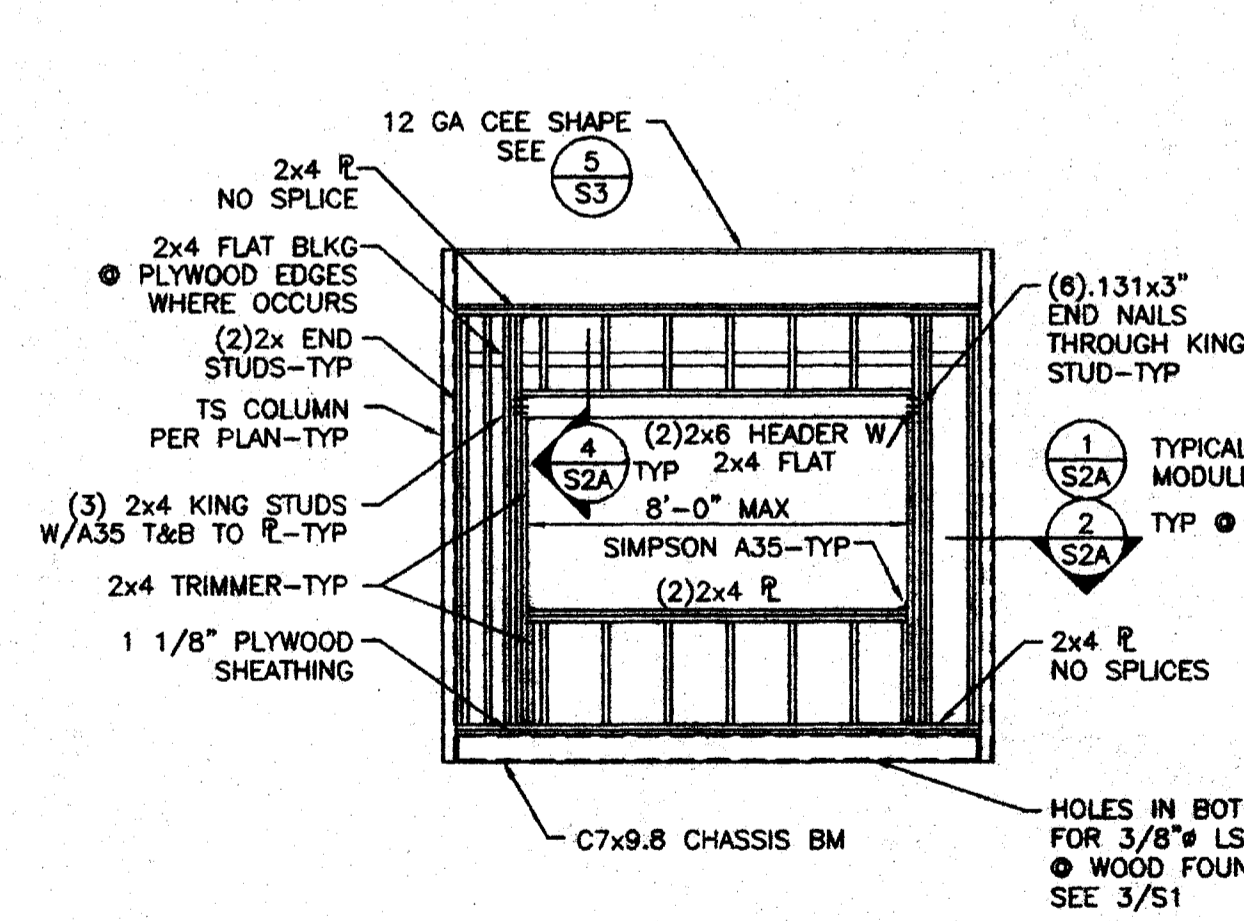
SOLID END WALL ELEVATION  
C/S4 1/4" = 1'-0"



SEE SHEET 1 FOR OPENING LOCATION  
HVAC END WALL ELEVATION  
D/S4 1/4" = 1'-0"



SEE SHEET 1 FOR OPENING LOCATION  
DOOR END WALL ELEVATION  
E/S4 1/4" = 1'-0"



SEE SHEET 1 FOR OPENING LOCATION  
WINDOW END WALL ELEVATION  
F/S4 1/2" = 1'-0"

IDENTIFICATION STAMP  
DIV. OF THE STATE ARCHITECT  
APPROX. 108079  
AC. [Signature] S.S. [Signature]  
DATE JUL 26 2005

IDENTIFICATION STAMP  
DIV. OF THE STATE ARCHITECT  
OFFICE OF REGULATION SERVICES  
APPLICATION NO. 02-104915  
AC. [Signature] S.S. [Signature]  
DATE JUL 26 2005

**AMS**  
American Modular Systems Inc.  
787 Spreckels Ave. Manteca, CA 95336  
(209)825-1921 Fax (209)825-7018  
americanmodular.com

REGISTERED ARCHITECT  
STATE OF CALIFORNIA  
No. C 12831  
Exp. 2-31-05  
REGISTERED PROFESSIONAL ENGINEER  
No. 4419  
Exp. 5-31-05  
Structural Engineer

CUSTOMER: \_\_\_\_\_  
WALL FRAMING ELEVATIONS AND FRAME DETAILS

DATE: 5/30/05  
SCALE: AS NOTED  
DRAWN BY: REM  
DESIGNED BY: MDB  
CHECKED BY: KAL  
SERIAL NO. \_\_\_\_\_

REVISIONS					
NO	DATE	DESCRIPTION	NO	DATE	DESCRIPTION

PROJECT No. 02156-01  
SHEET No. S4

P:\02156\01\ACAD\STRUC\STRUC\S4.dwg Time: Jun 03, 2005 - 09:45am Login: lawrencej Dirmscale: 48 L1Scale: 24