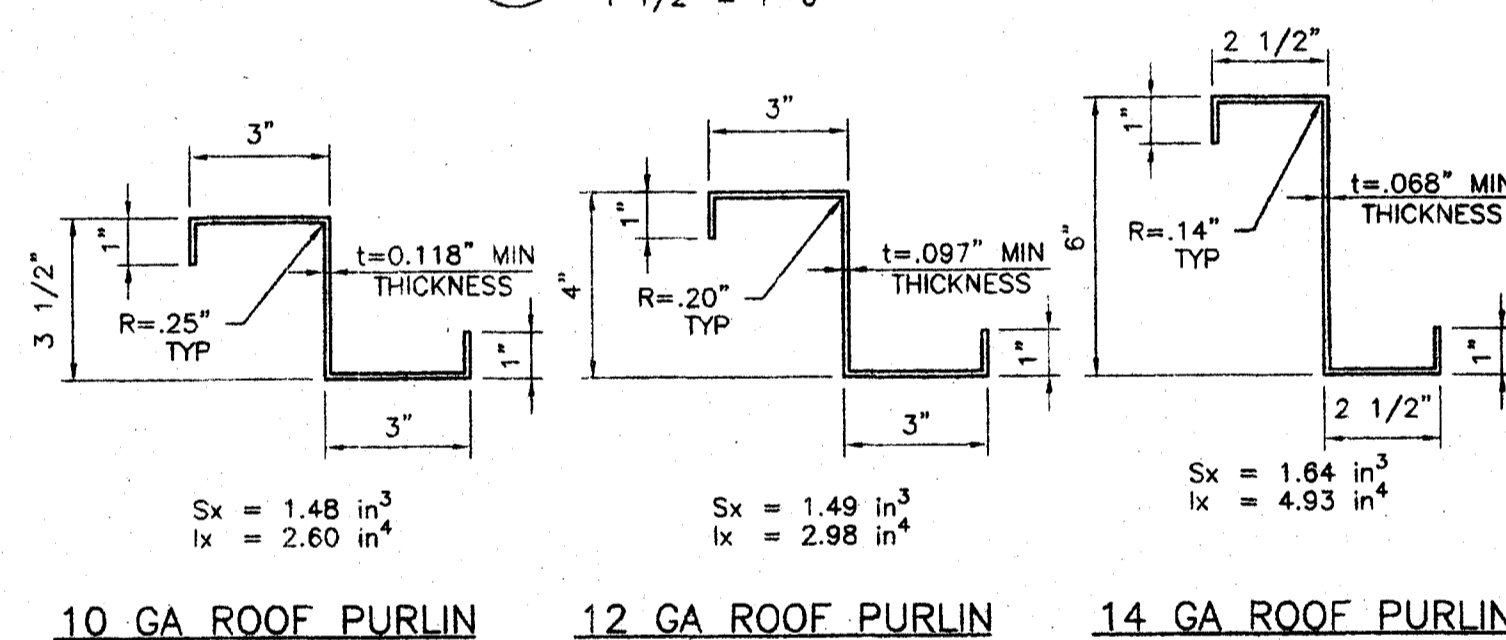
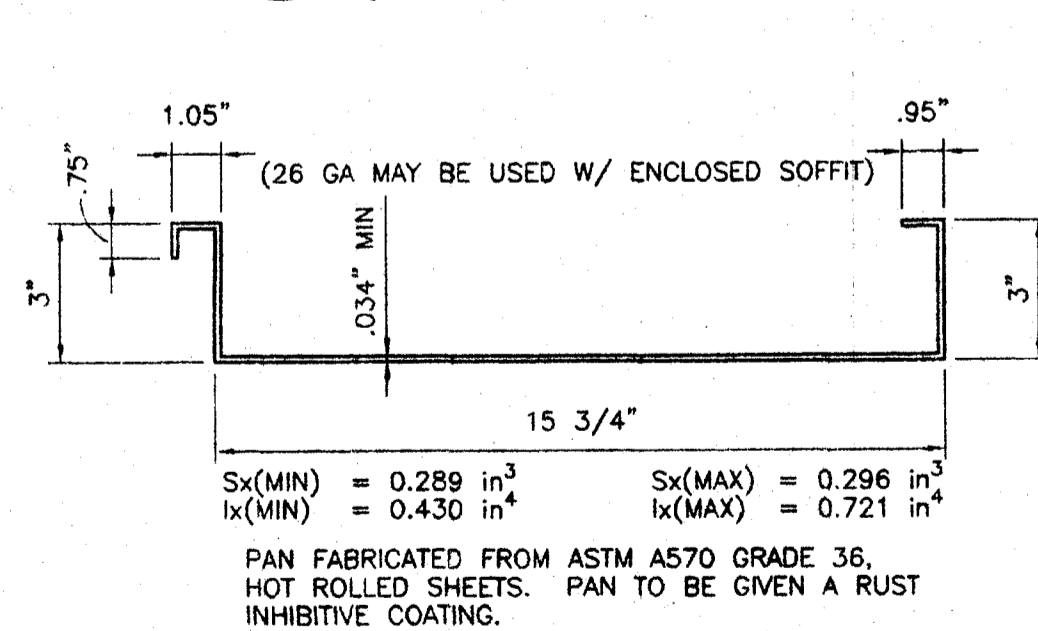


CROSS BRACING
DETAIL

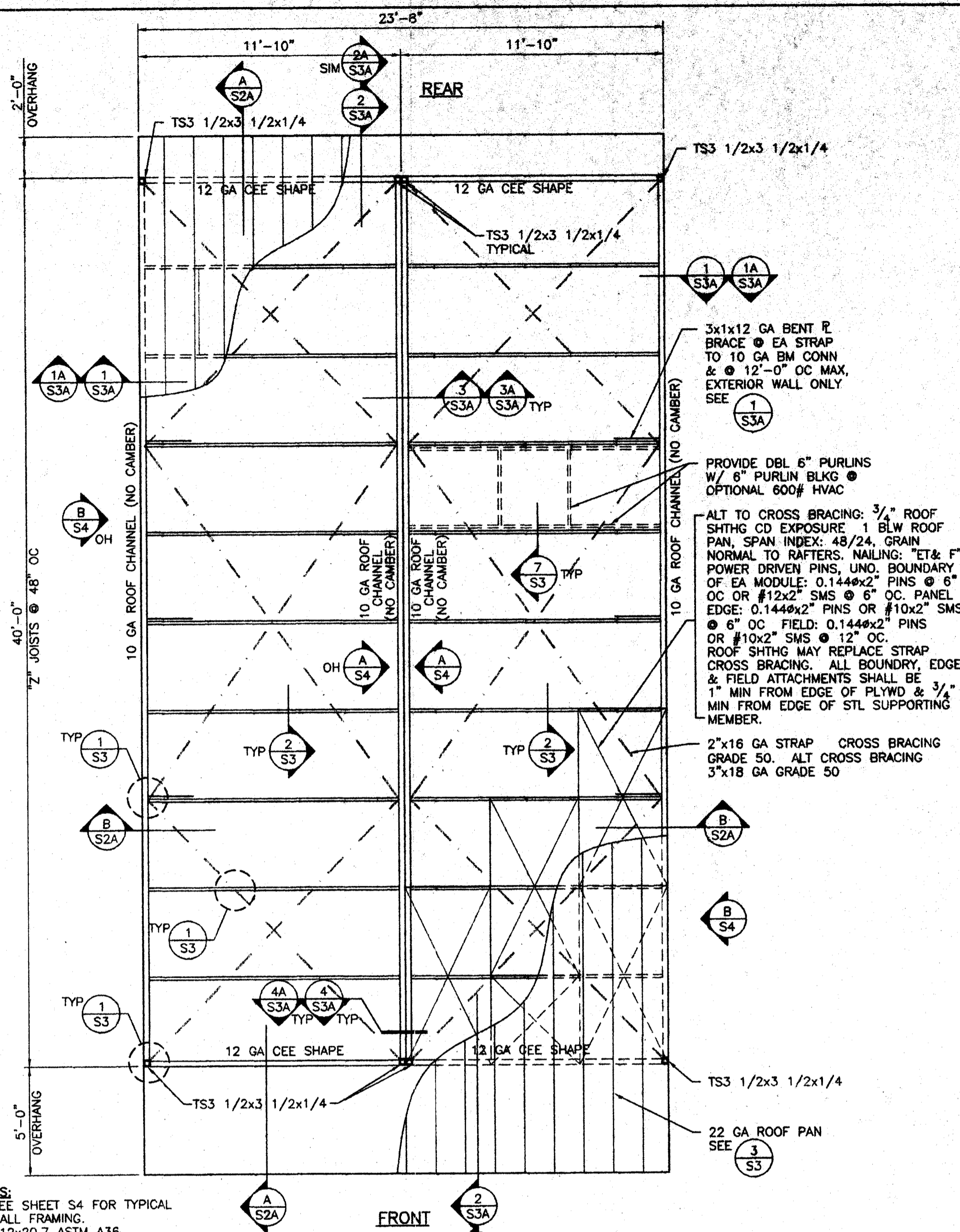


JOIST FABRICATED FROM ASTM A570 GRADE 36, HOT ROLLED SHEETS. JOISTS TO BE GIVEN A RUST INHIBITIVE COATING.

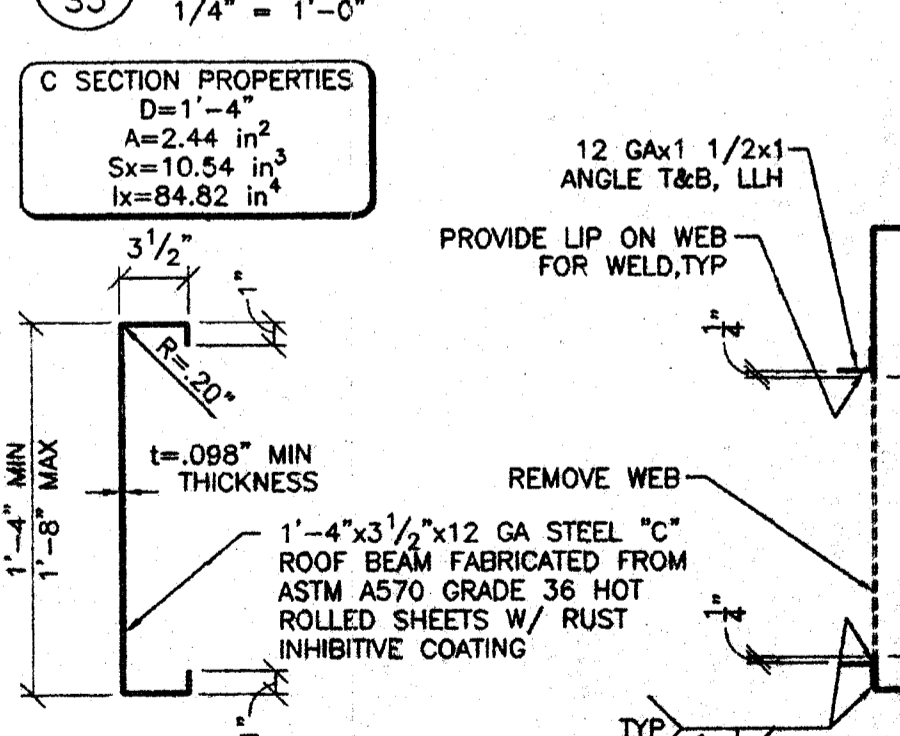
DETAIL



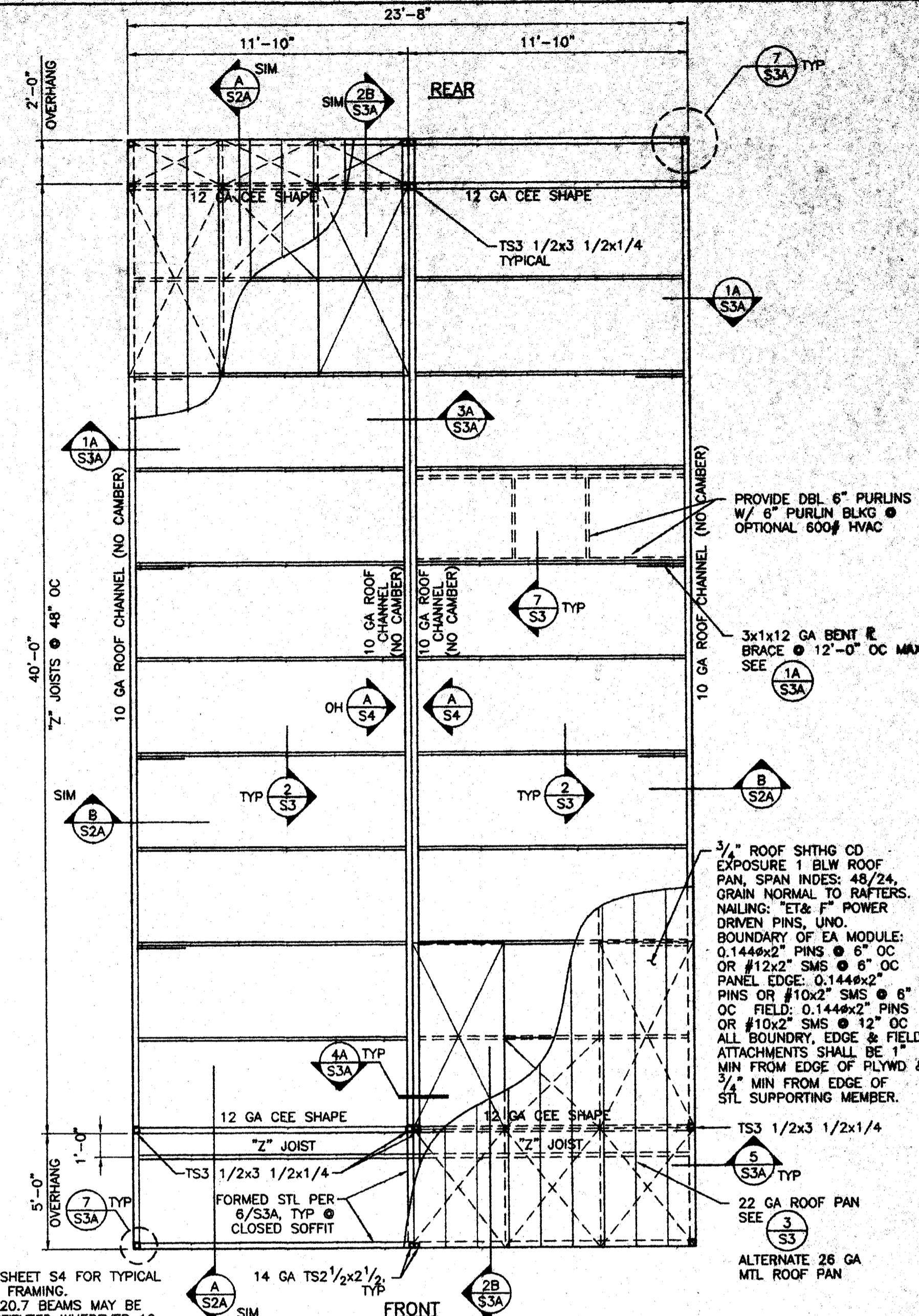
DETAIL



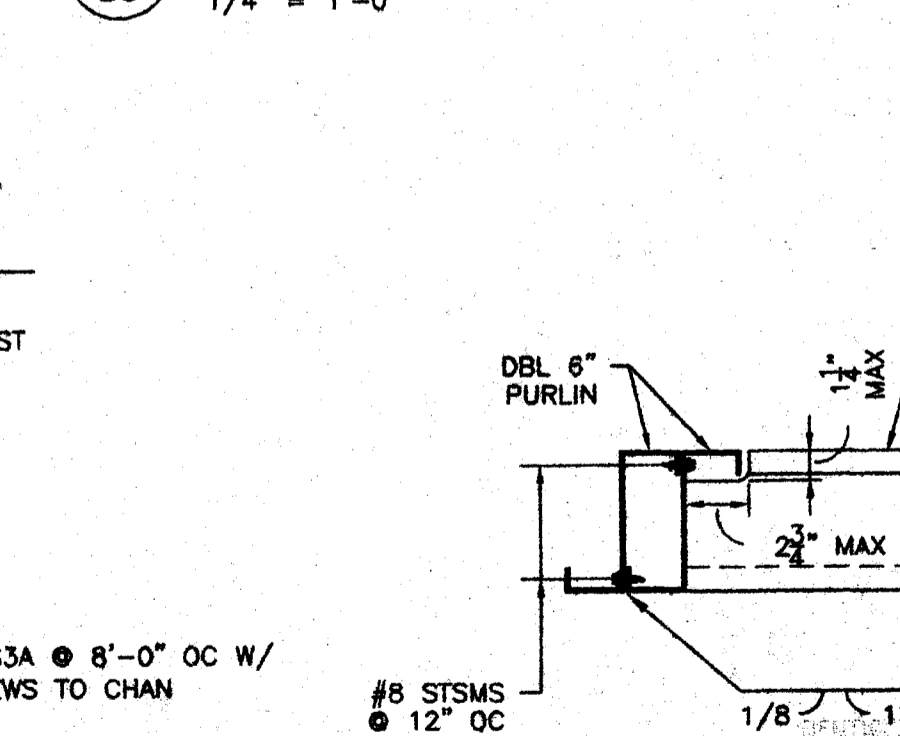
DETAIL



DETAIL

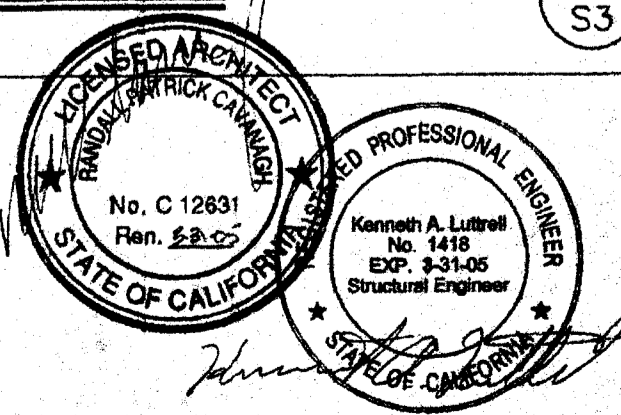


DETAIL



DETAIL

24 x 40
RELOCATABLE
CLASSROOM



CUSTOMER:

ROOF FRAMING PLAN
AND DETAILS

DATE: 5/30/03
SCALE: AS NOTED
DRAWN BY: REM
DESIGNED BY: MDB
CHECKED BY: KAL
SERIAL NO.

REVISIONS					
NO	DATE	DESCRIPTION	NO	DATE	DESCRIPTION

PROJECT No.
02156-01
SHEET No.
S3

IDENTIFICATION STAMP
DIV. OF THE STATE ARCHITECT
OFFICE OF REGULATION SERVICES
108679
AC. PLS. SS
DATE JUL 26 2005

2001 CBC
FILE NO. PC
IDENTIFICATION STAMP
DIV. OF THE STATE ARCHITECT
OFFICE OF REGULATION SERVICES
APPLICATION NO.
02-104915
AC. PLS. SS
DATE JUL 26 2005