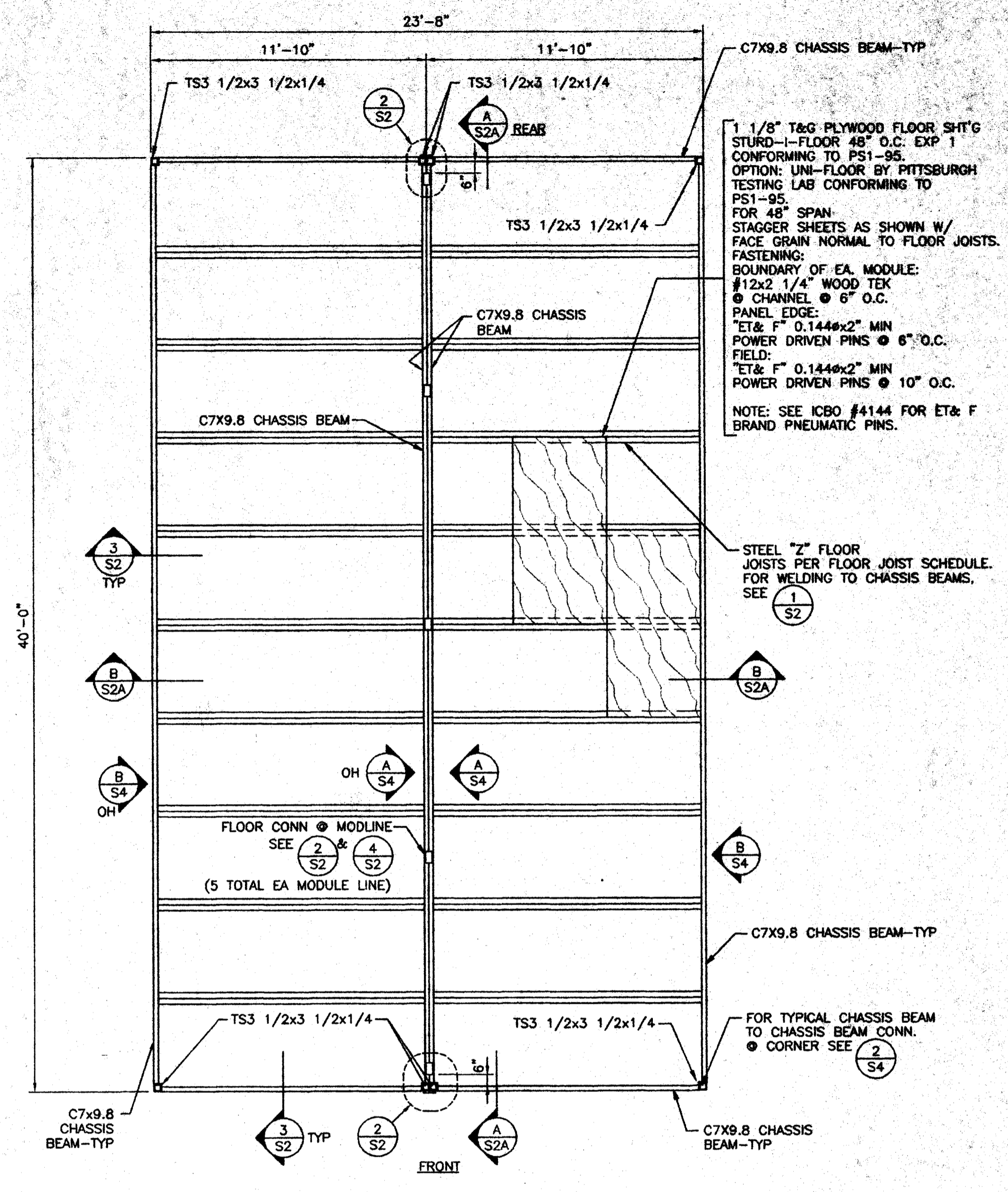
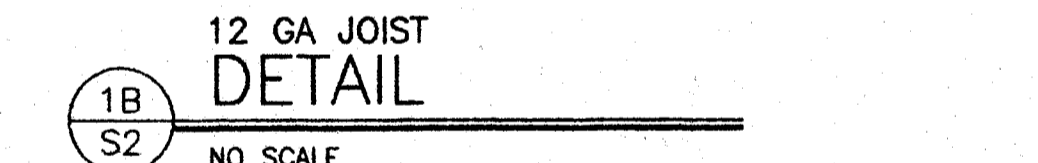
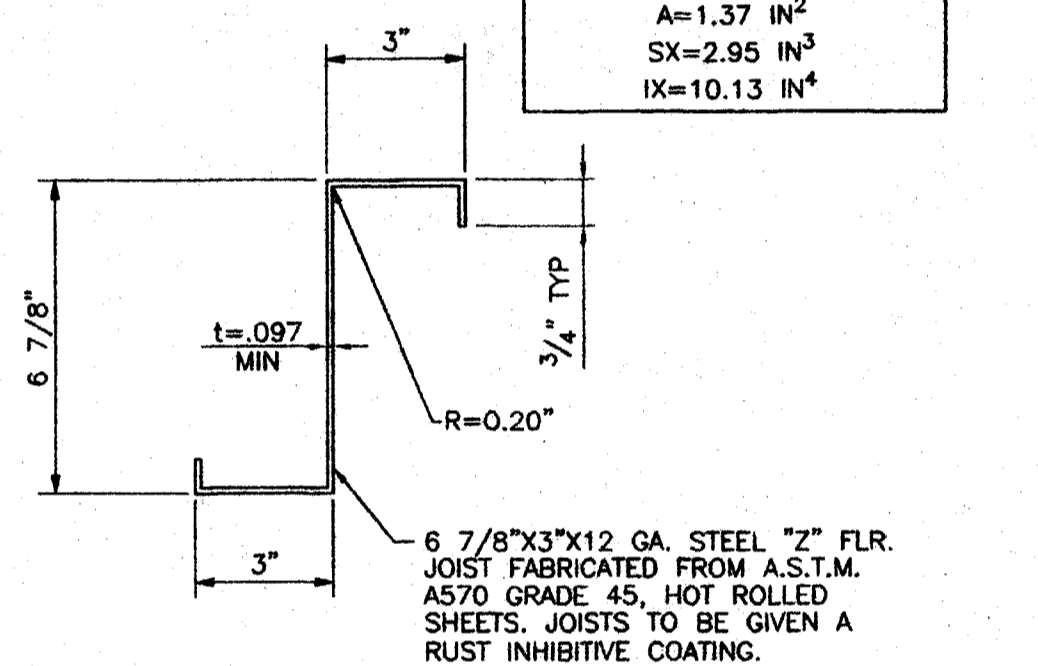
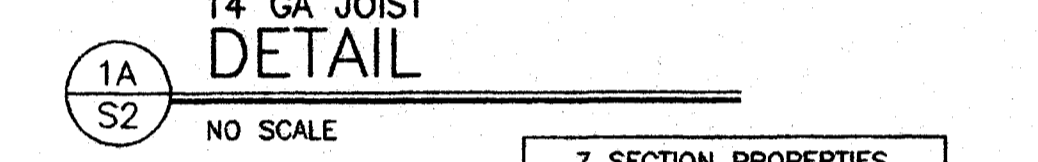
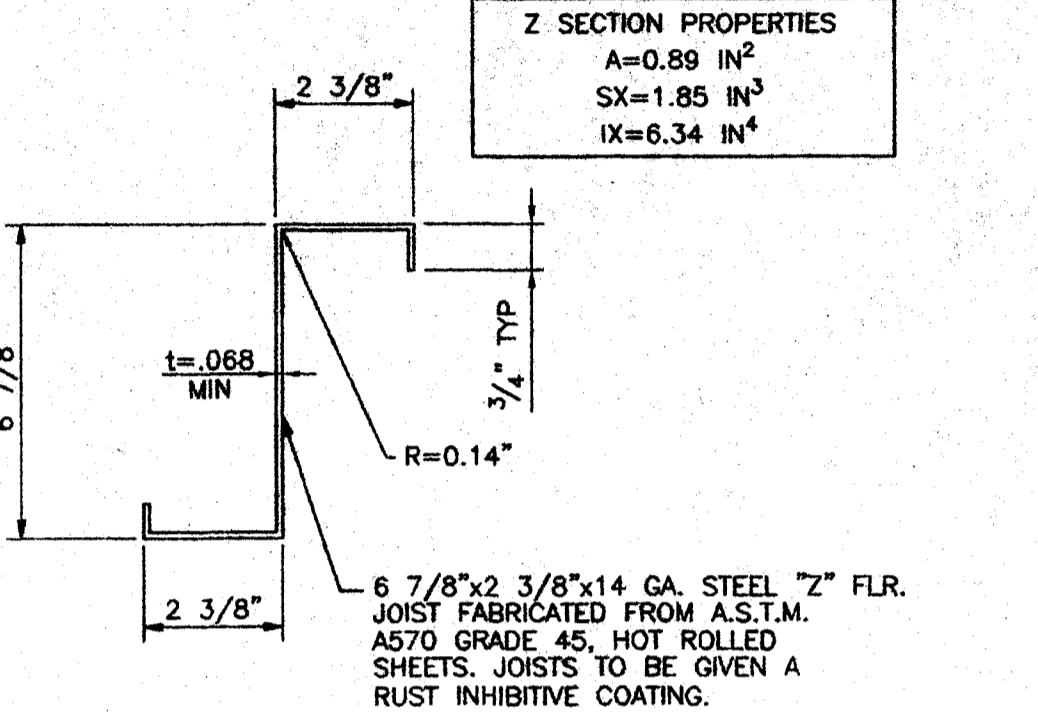
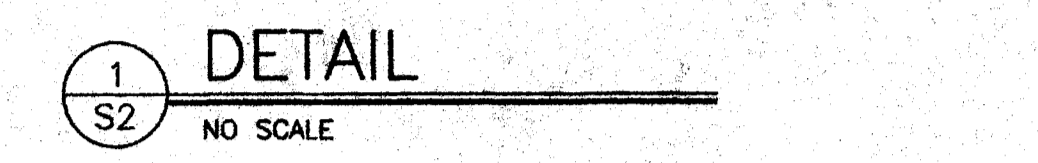
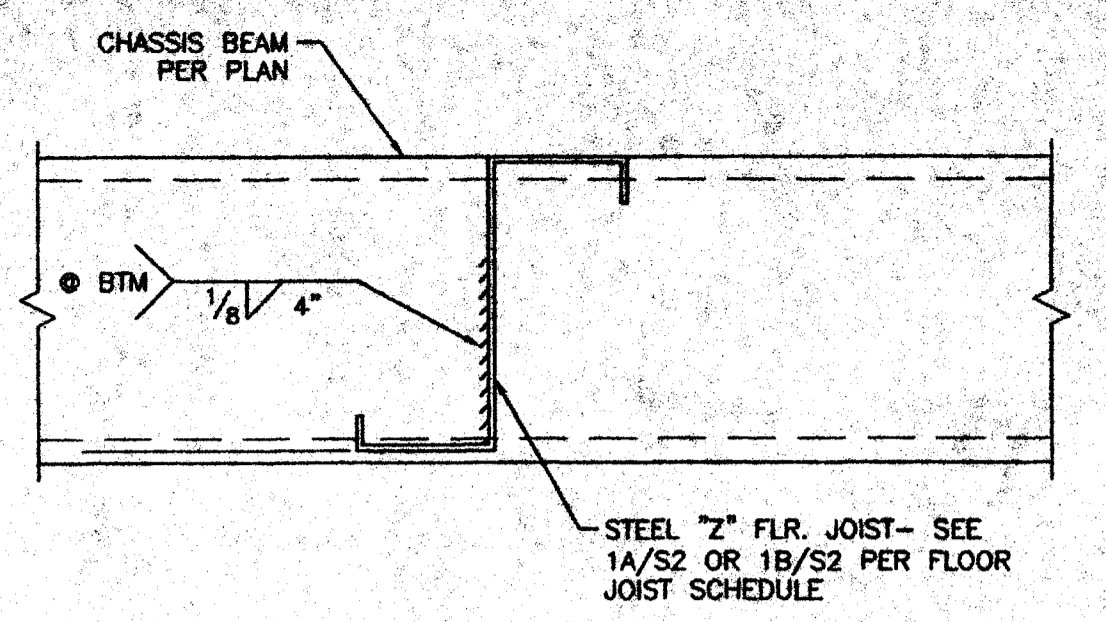
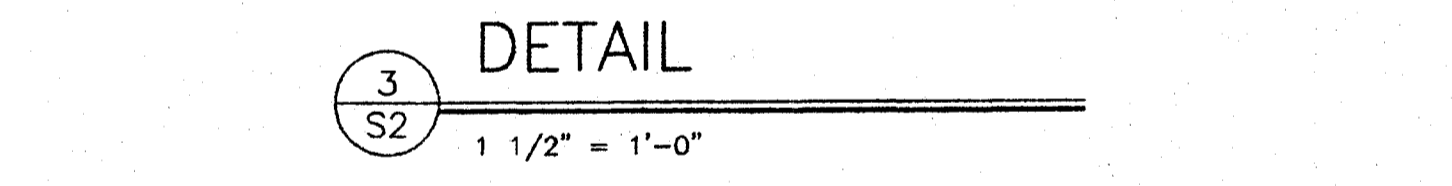
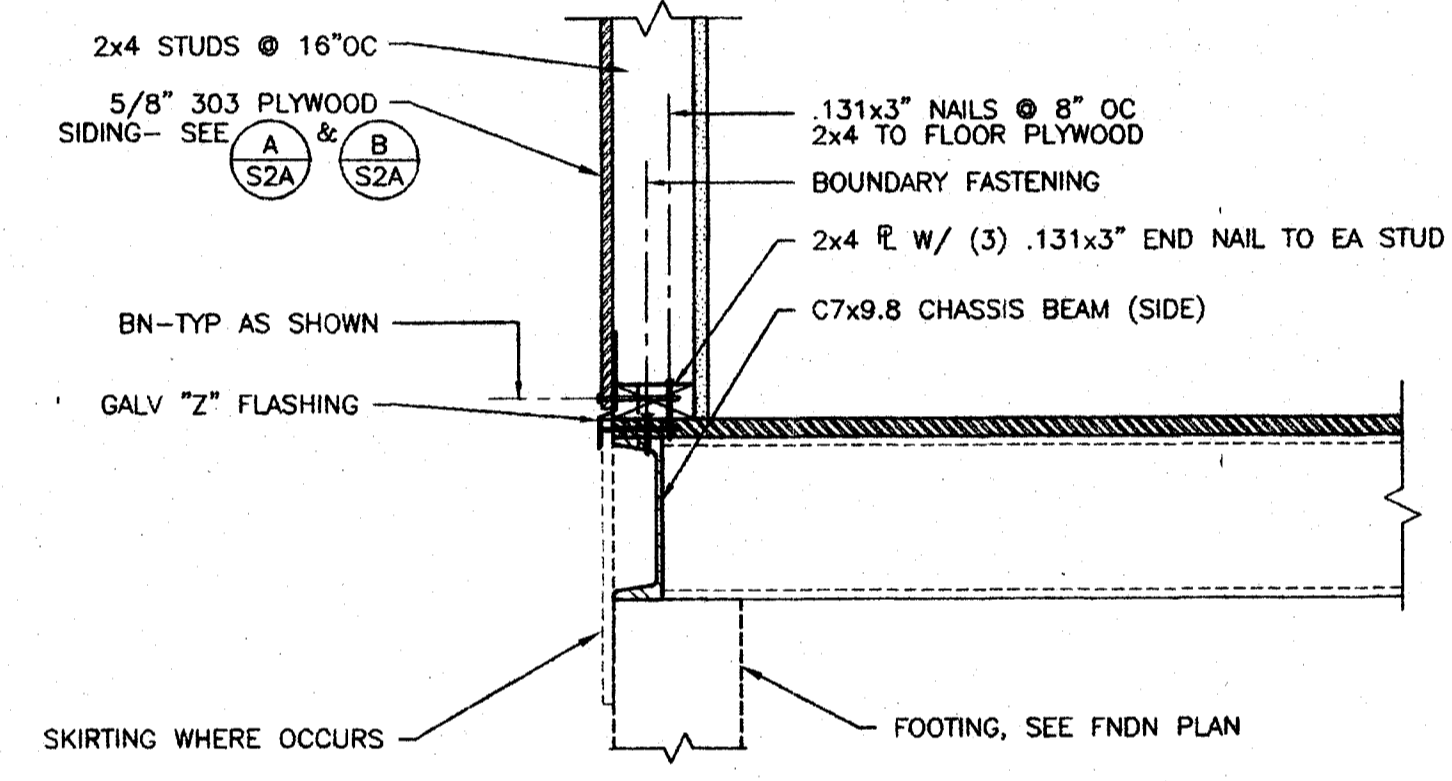
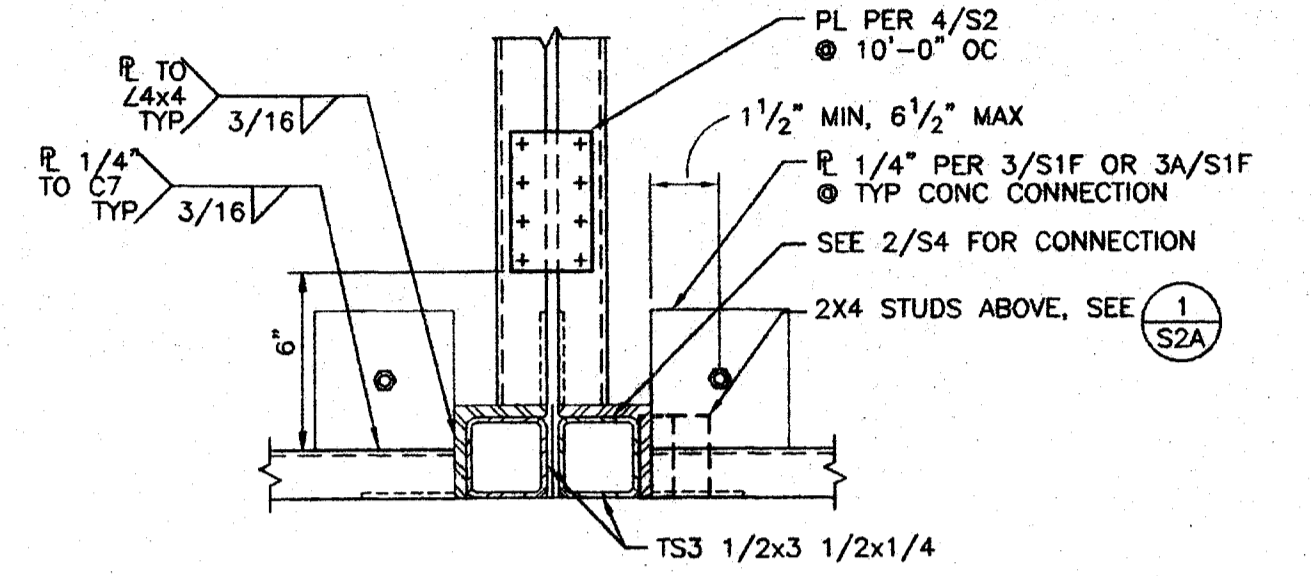
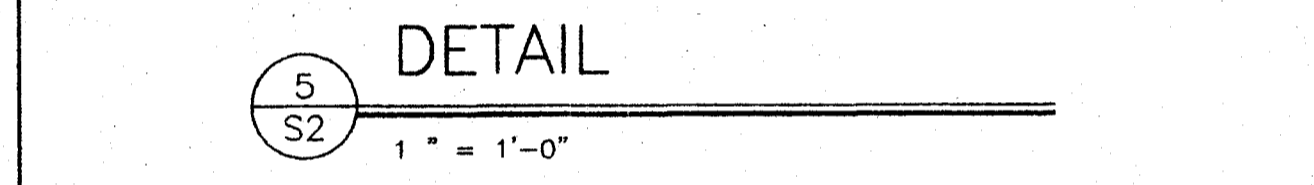
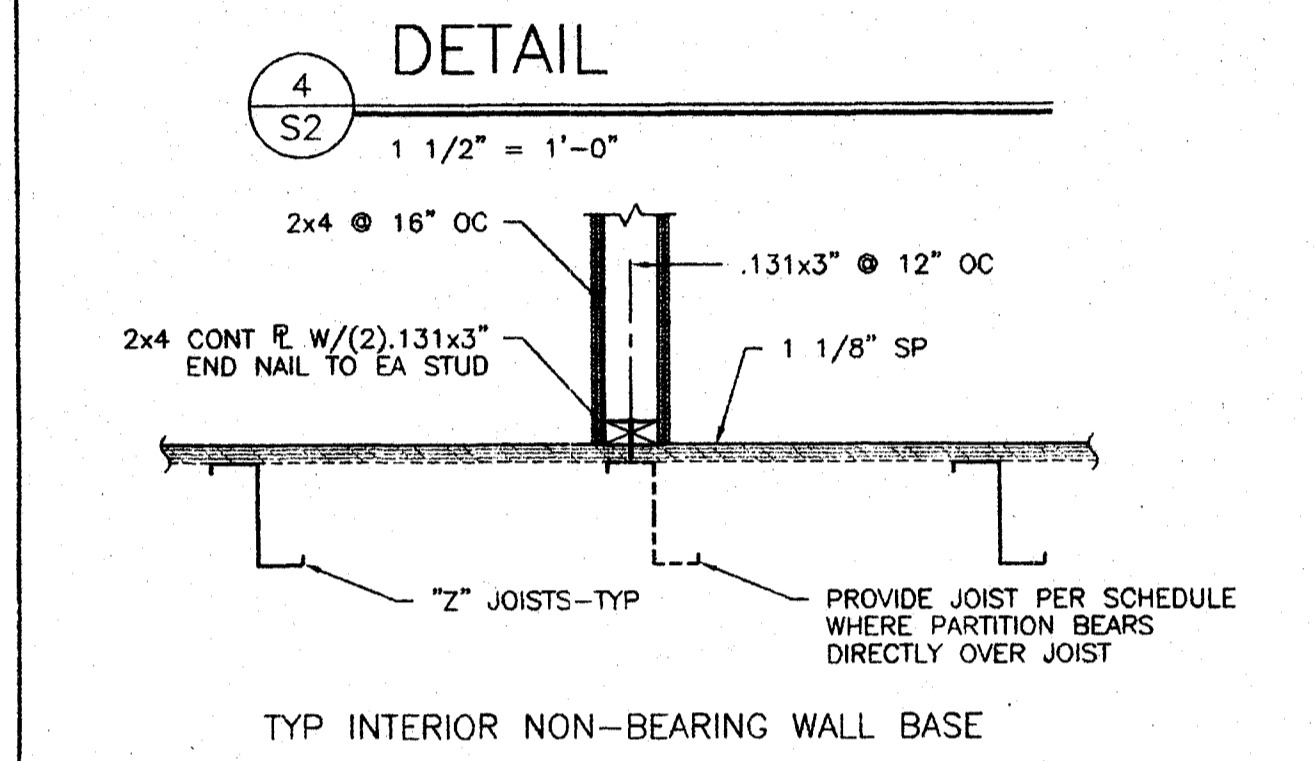
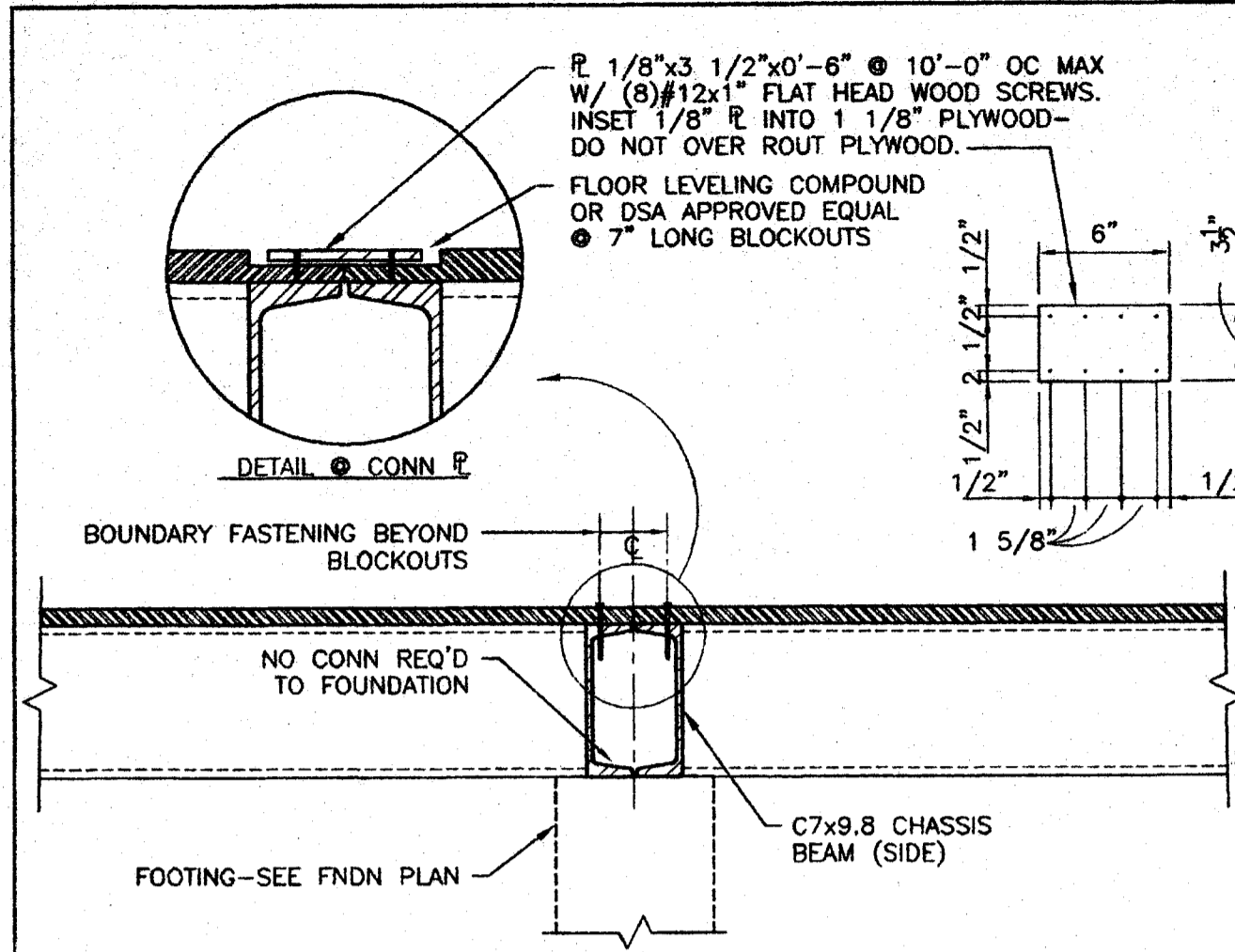


P:\02156\01_ACAD\STRUC\S2.dwg Time: Jun 03 2003 09:43:09 Login: lawrencej Dimscale: 1/8 LTScale: 2/4



NOTES:
1. SEE SHEET S4 FOR TYPICAL WALL FRAMING.

FLOOR FRAMING PLAN
1/4" = 1'-0"

LIVE LOAD	SPACING	
	14 GA JOIST	12 GA JOIST
50 PSF	48" OC	48" OC
50+20 PSF	24" OC	48" OC
100 PSF	24" OC	24" OC
125 PSF	24" OC	24" OC

NOTES:
1. FOR JOISTS SEE 1A/S2 AND 1B/S2.
2. SPACING IS TO CENTER LINE OF TOP FLANGE.
3. PROVIDE 12 GA JOIST WHERE PARTITION BEARS DIRECTLY OVER JOIST.

24 x 40
RELOCATABLE
CLASSROOM

AMS
American Modular Systems Inc.
787 Spreckels Ave. Mantoloking, CA 95336
(209)825-1921 Fax (209)825-7018
americanmodular.com

REGISTERED ARCHITECT
STATE OF CALIFORNIA
No. C 12631
Ren. 5-31-05

REGISTERED PROFESSIONAL ENGINEER
STATE OF CALIFORNIA
Kenneth A. Luttrell
No. 4418
Exp. 3-31-06
Structural Engineer

CUSTOMER: _____

FLOOR FRAMING PLAN
AND DETAILS

DATE: 5/30/03
SCALE: AS NOTED
DRAWN BY: REM
DESIGNED BY: MDB
CHECKED BY: KAL
SERIAL NO. _____

REVISIONS					
NO	DATE	DESCRIPTION	NO	DATE	DESCRIPTION

IDENTIFICATION STAMP
DIV. OF THE STATE ARCHITECT
OFFICE OF REGULATION SERVICES

108679

APPLICATION NO.
02-104915

DATE: JUL 2 2 2003

PROJECT No.
02156-01

SHEET No.
S2