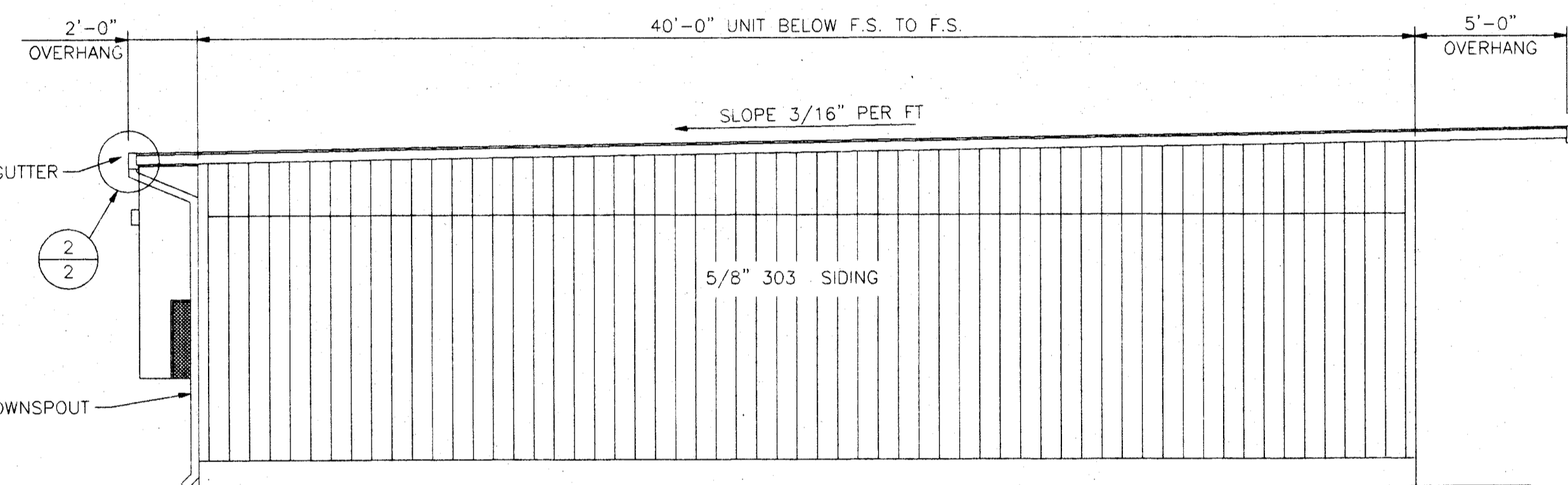


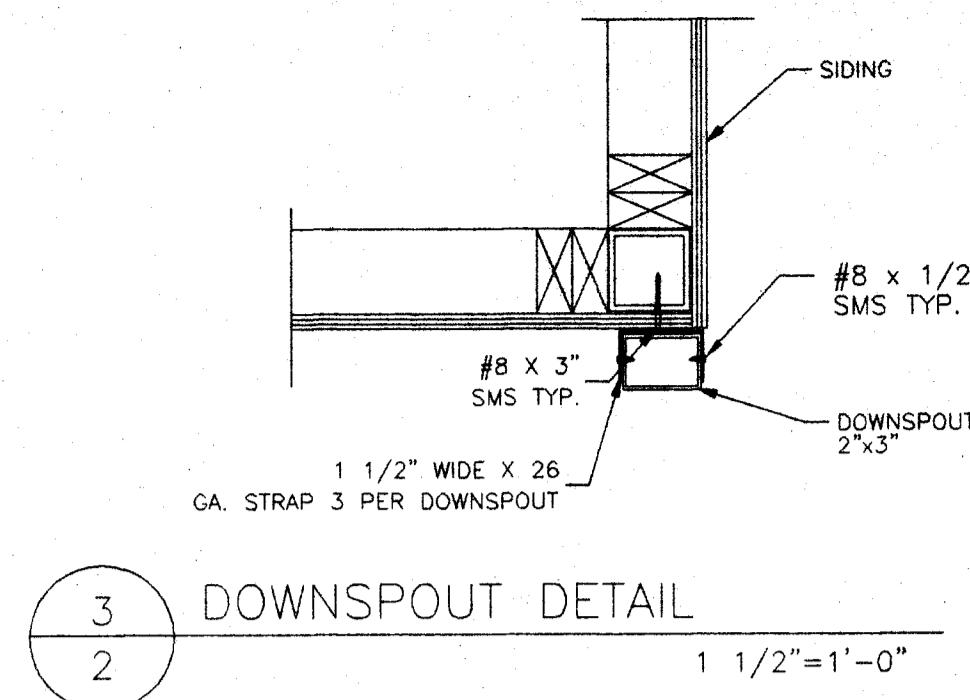
FRONT/ENTRY ELEVATION

(D)
SCALE: 3/8"=1'-0"



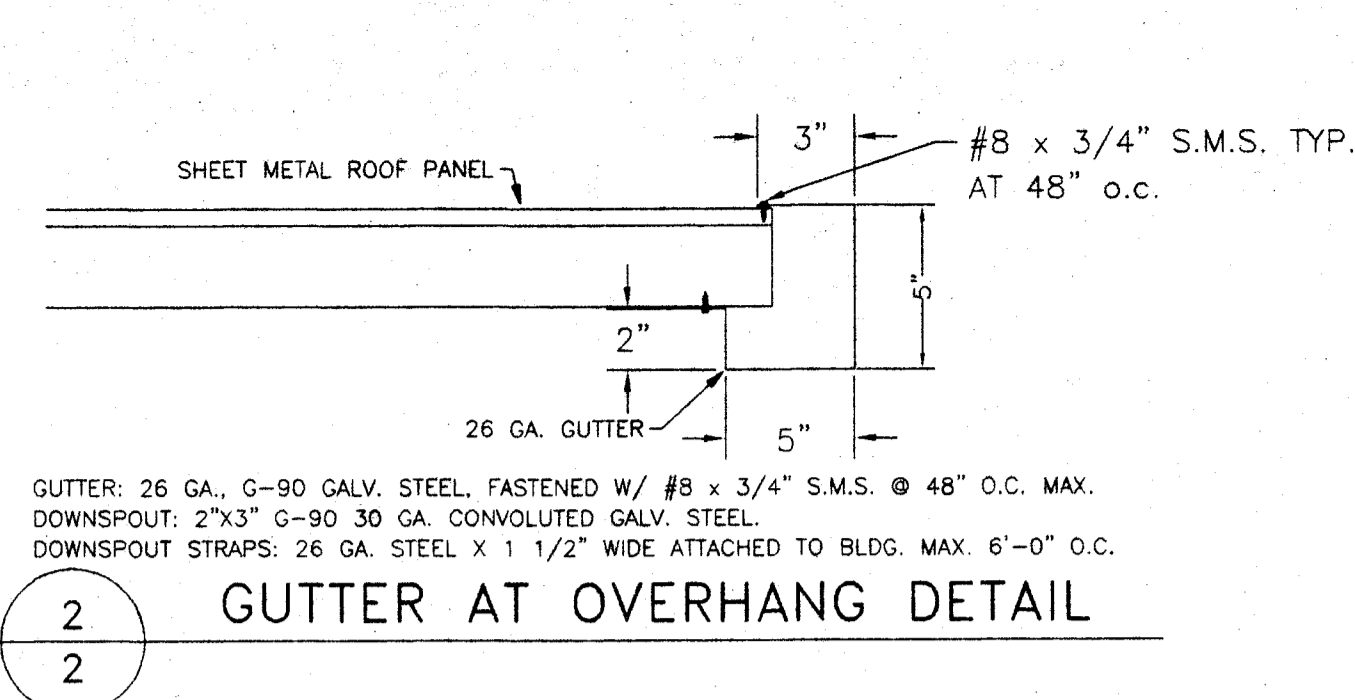
LEFT SIDE ELEVATION

(B)
SCALE: 1/4"=1'-0"



3
2
DOWNSPOUT DETAIL

1 1/2"=1'-0"

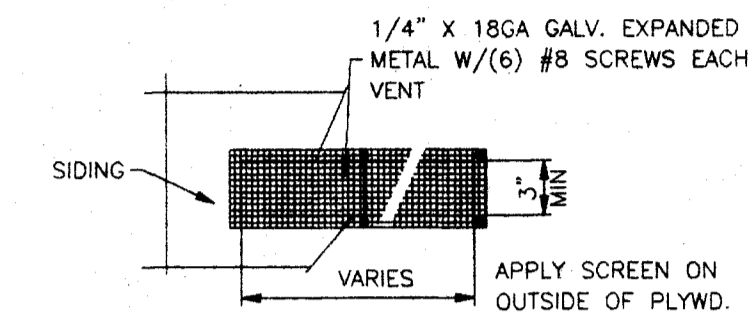


2
2
GUTTER AT OVERHANG DETAIL

GUTTER: 26 GA. G-90 GALV. STEEL, FASTENED W/ #8 x 3/4" S.M.S. @ 48" O.C. MAX.
DOWNSPOUT: 2"x3" G-90 30 GA. CONVOLUTED GALV. STEEL.
DOWNSPOUT STRAPS: 26 GA. STEEL X 1 1/2" WIDE ATTACHED TO BLDG. MAX. 6'-0" O.C.

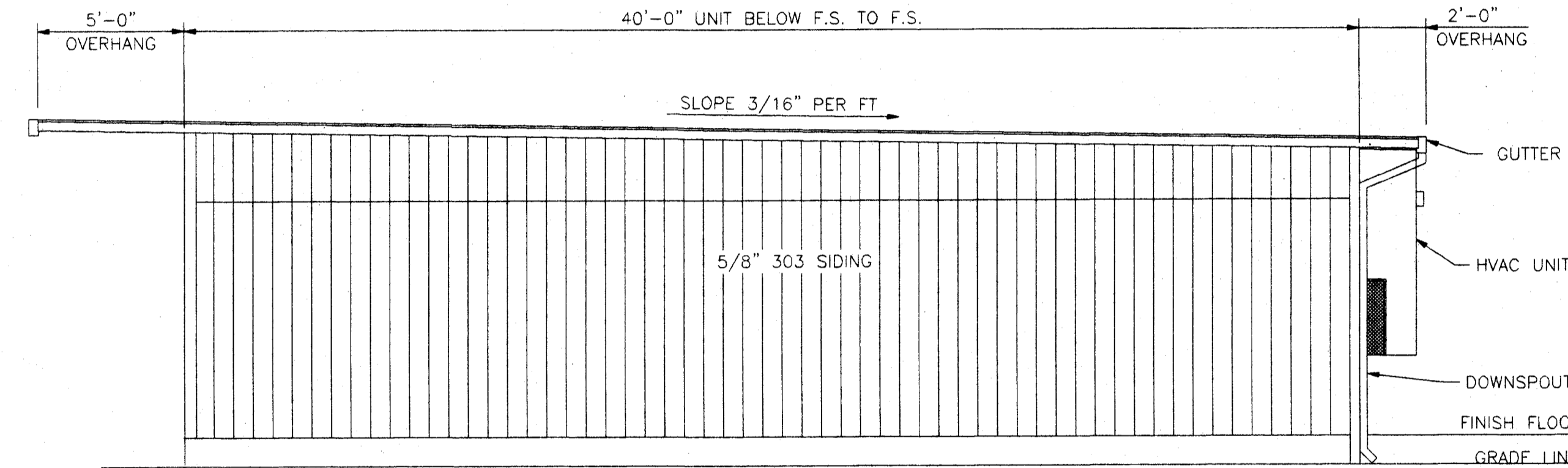
ROOM ID SIGNAGE SEE SHEET 4 DETAILS E/4 & 1/4
NOT A PART OF THIS CONTRACT (NOT PROVIDED BY A.M.S.)

NOTE:
ROOM IDENTIFICATION SHALL BE PROVIDED FOR ROOMS OR SPACES. RAISED LETTERS SHALL BE PROVIDED AND SHALL BE ACCOMPANIED BY BRAILLE IN CONFORMANCE WITH THE FOLLOWING: CONTRACTED GRADE 2 BRAILLE SHALL BE USED. DOTS SHALL BE 1/10 INCH ON CENTER IN EACH CELL WITH 2/10 INCH SPACE BETWEEN CELLS. DOTS SHALL BE RAISED A MINIMUM 1/40 INCH ABOVE BACKGROUND. SIGNS SHALL BE INSTALLED ON WALL ADJACENT TO LATCH OUTSIDE OF DOOR WHERE THERE IS NO SPACE ON THE LATCH SIDE. SIGNS SHALL BE PLACED ON THE NEAREST ADJACENT WALL, PREFERABLY ON THE RIGHT. MOUNTING HEIGHT SHALL BE 60" ABOVE THE FINISH FLOOR TO THE CENTER OF THE SIGN.



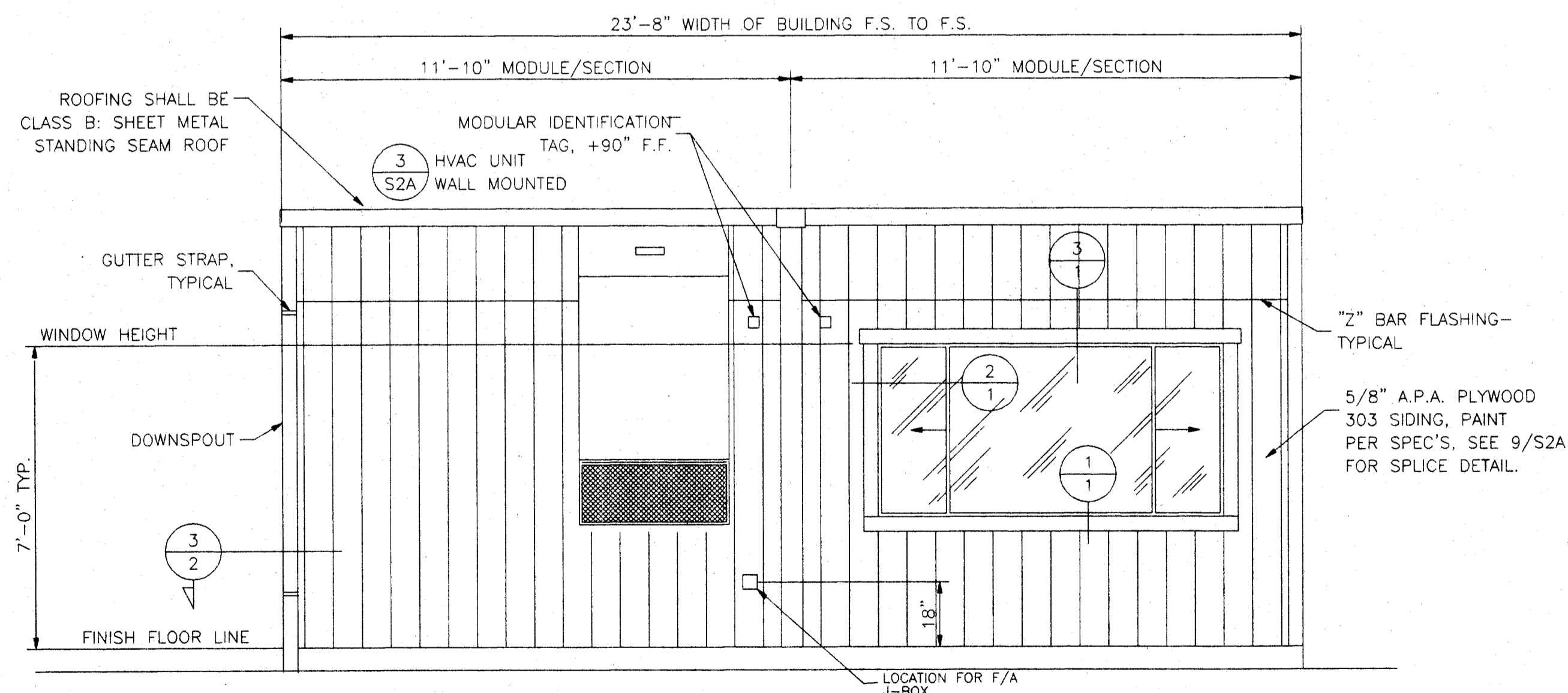
VENT
DETAIL

NO SCALE
SEE SHT. S1A, S1B OR S1C FOR NUMBER OF VENTS AND LOCATIONS. THIS DETAIL IS FOR WOOD FOUNDATIONS ONLY.



RIGHT SIDE ELEVATION

(C)
SCALE: 1/4"=1'-0"



REAR ELEVATION

(A)
SCALE: 3/8"=1'-0"

IDENTIFICATION STAMP
DIV. OF THE STATE ARCHITECT
OFFICE OF REGULATION SERVICES

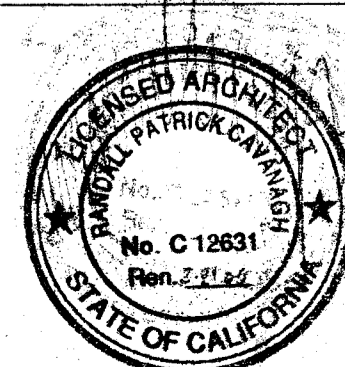
FILE NO. 108679
AC. [Signature]
DATE: JUL 28 2005

IDENTIFICATION STAMP
DIV. OF THE STATE ARCHITECT
OFFICE OF REGULATION SERVICES

AC. [Signature]
DATE

BASED ON PC# 02-104915

24 X 40
RELOCATABLE
CLASSROOMS



CUSTOMER:
BAKERSFIELD CITY SCHOOL DISTRICT

EXTERIOR ELEVATIONS

DATE: 11/29/04
SCALE: NONE
DRAWN BY: RS
CHECKED BY:
SERIAL NO.

REVISIONS					
NO	DATE	DESCRIPTION	NO	DATE	DESCRIPTION

PROJECT No.
SHEET No.
2