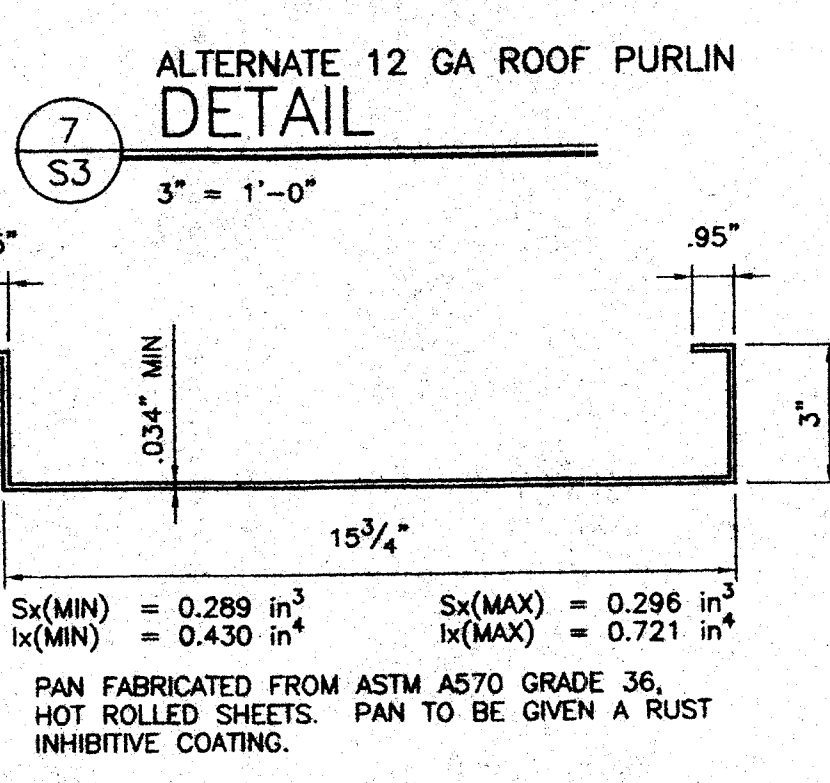
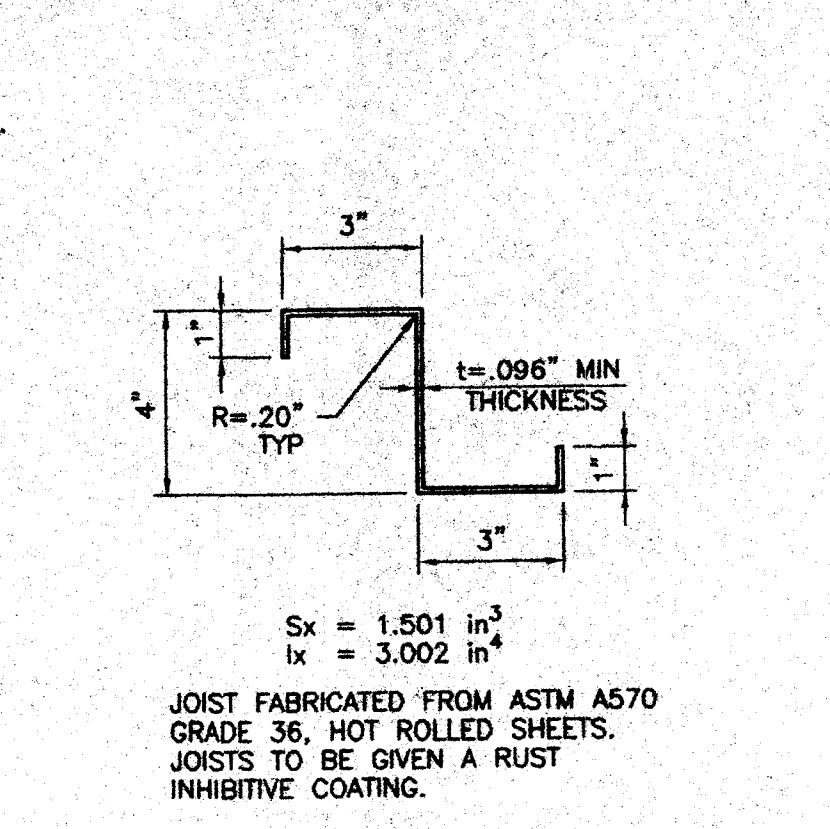
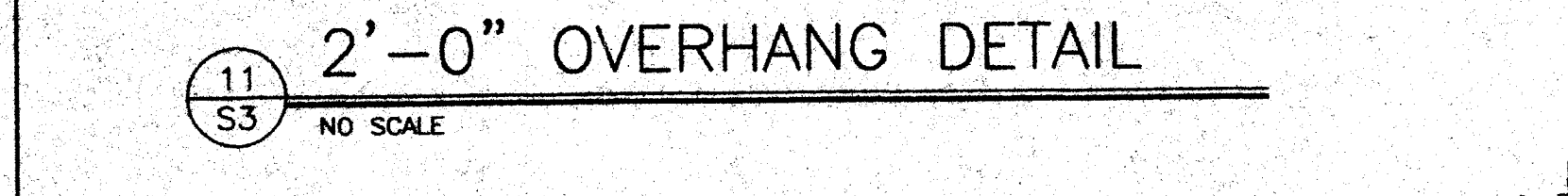
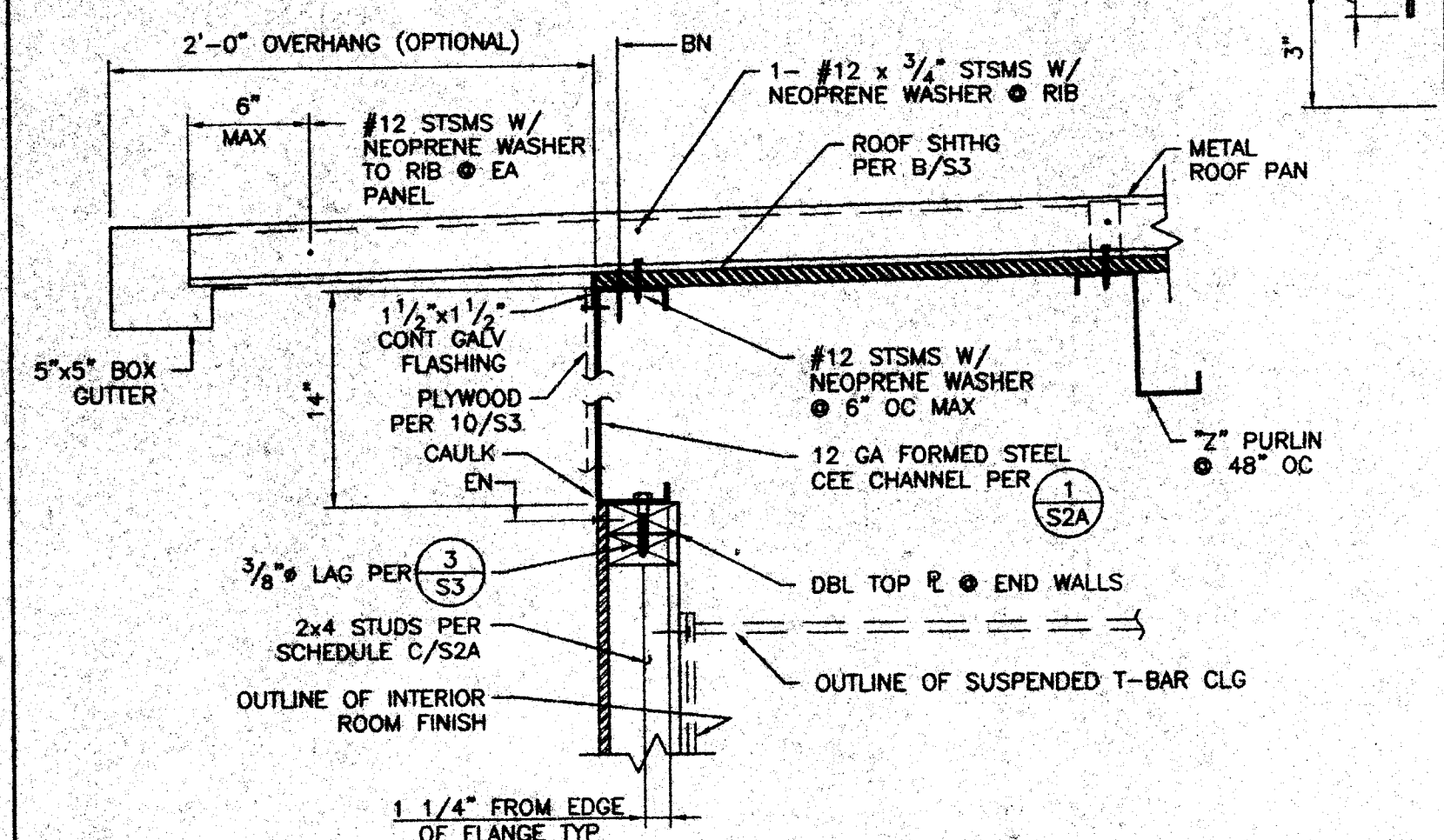
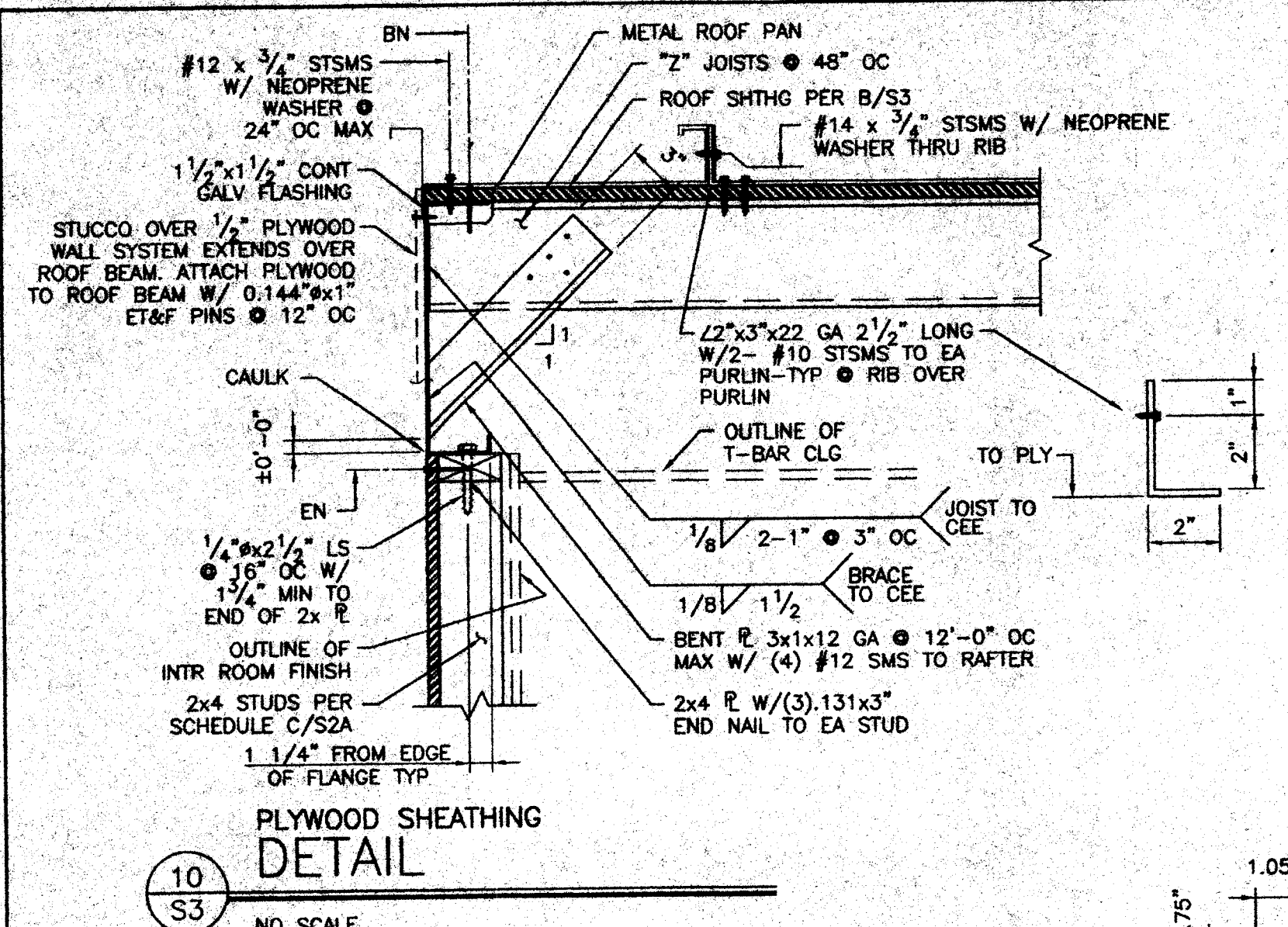


P:\0215616\ACAD\STRUC33.dwg Time: 10/19/2003 09:36am Log: jmoor: dmscale48 L1Scale24



9 S3 MONO PITCH 10 GA ROOF BM DETAIL
1 1/2" = 1'-0"

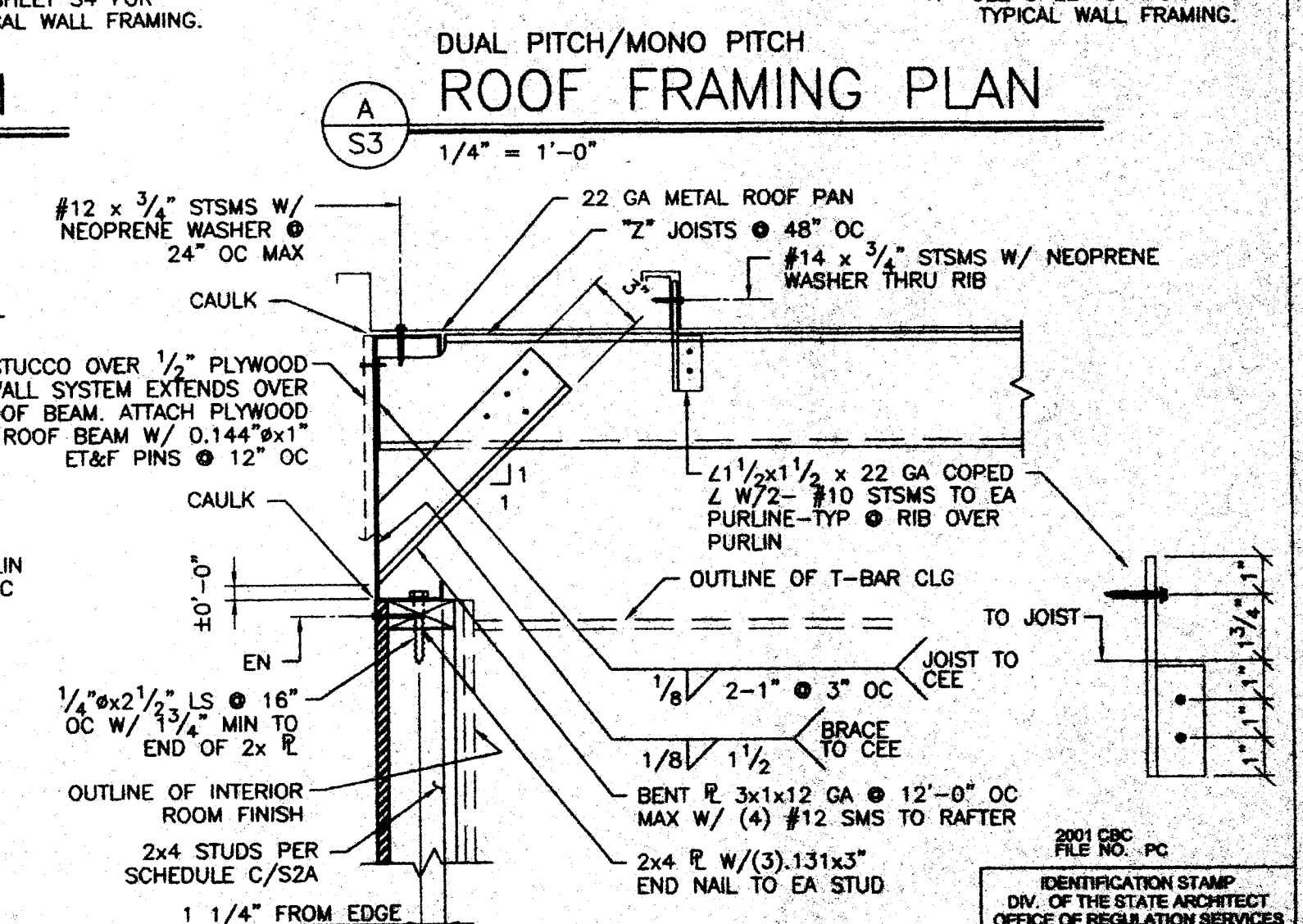
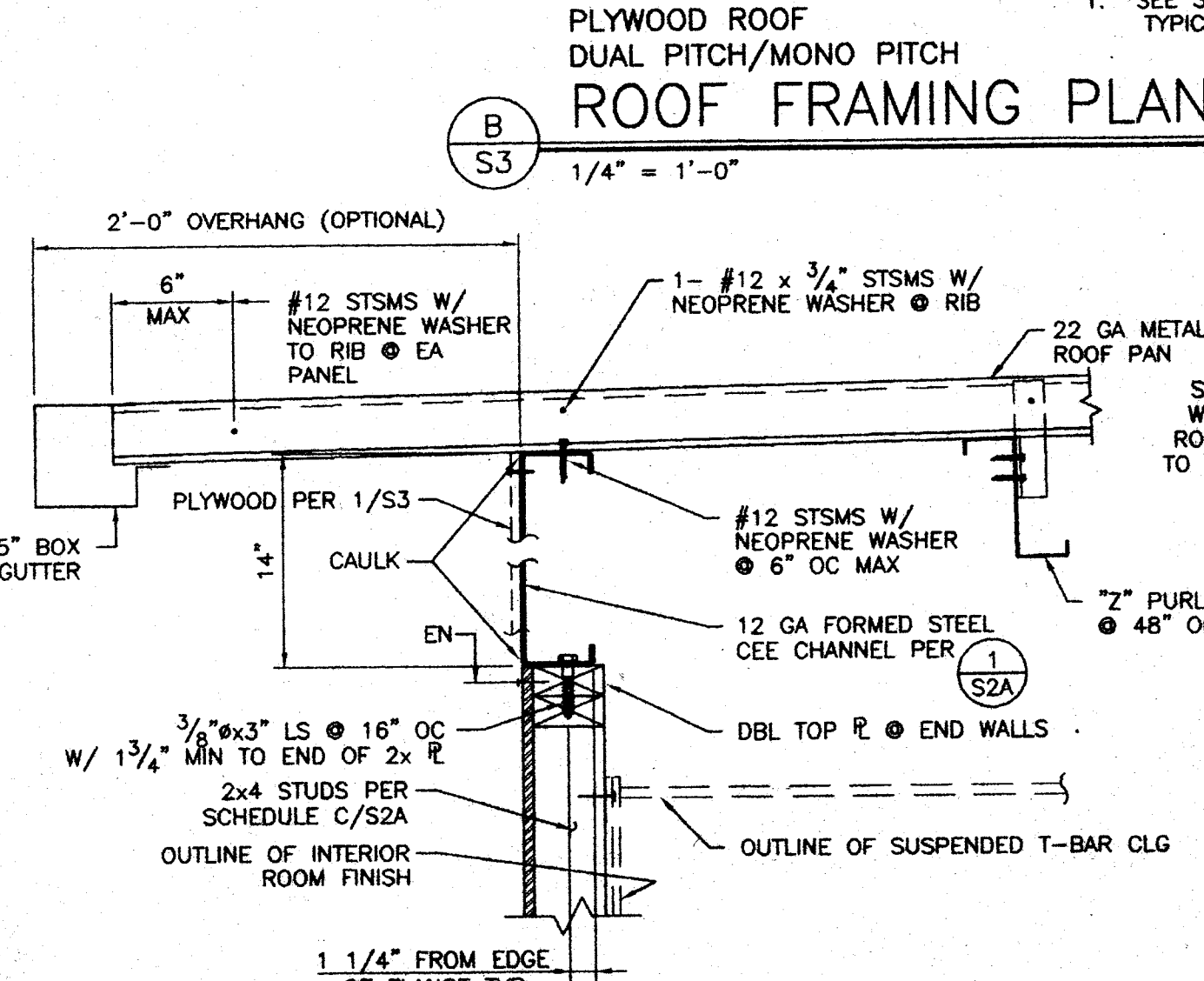
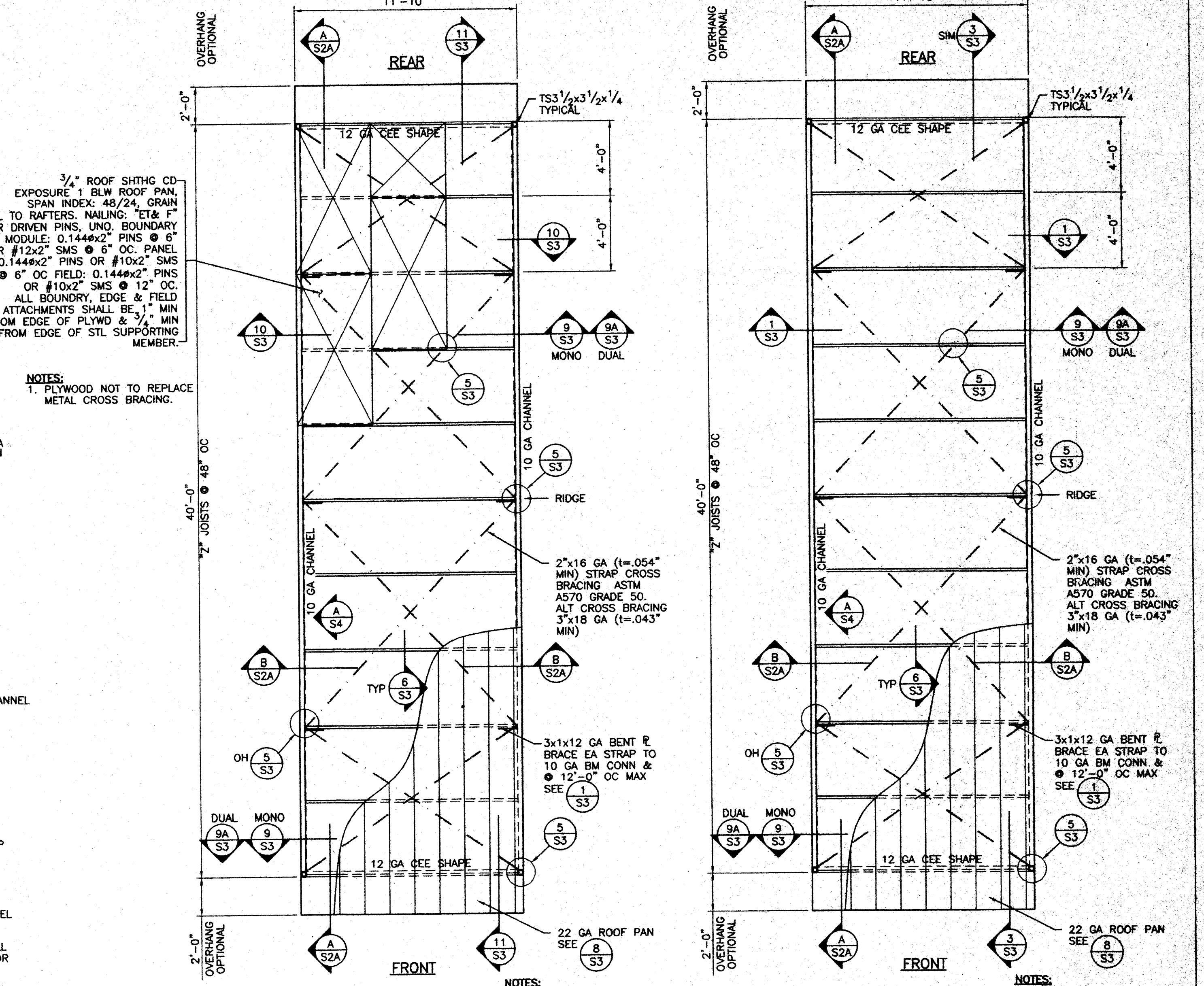
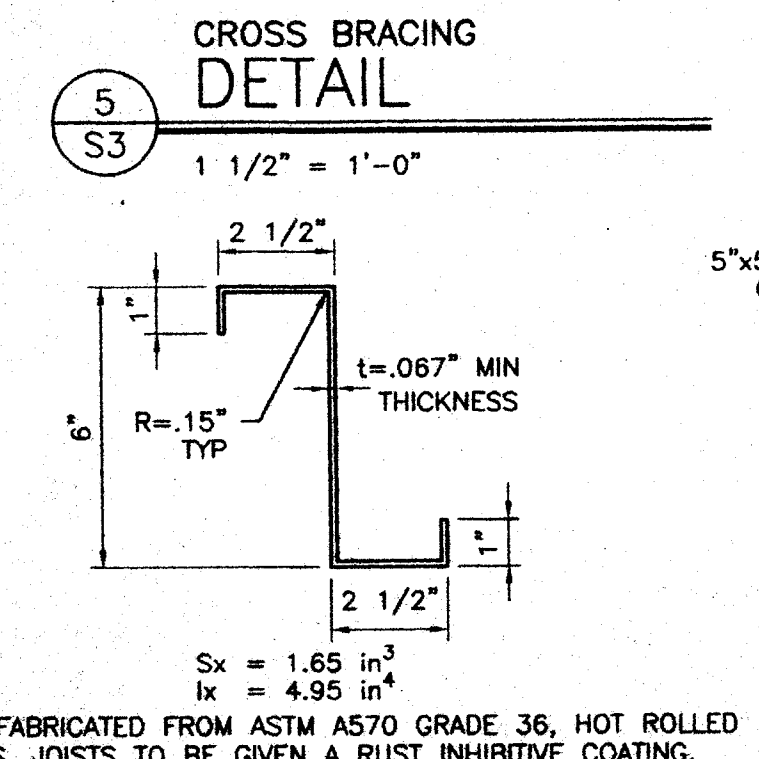
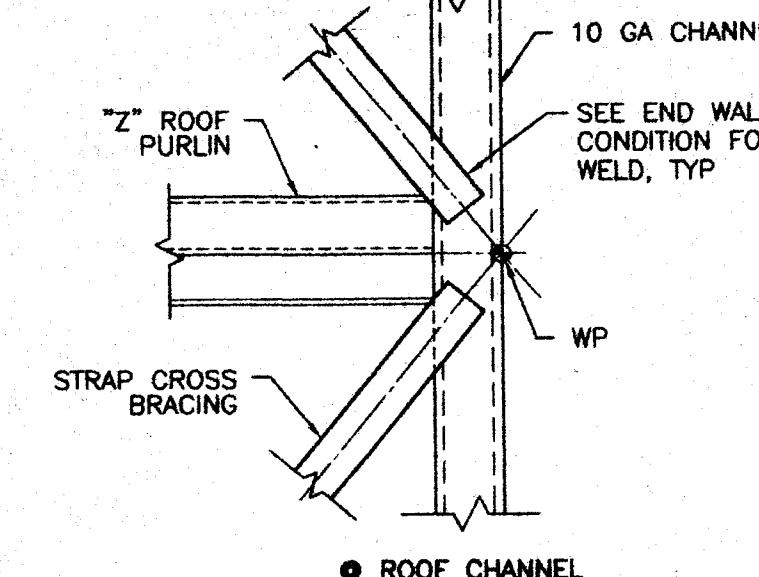
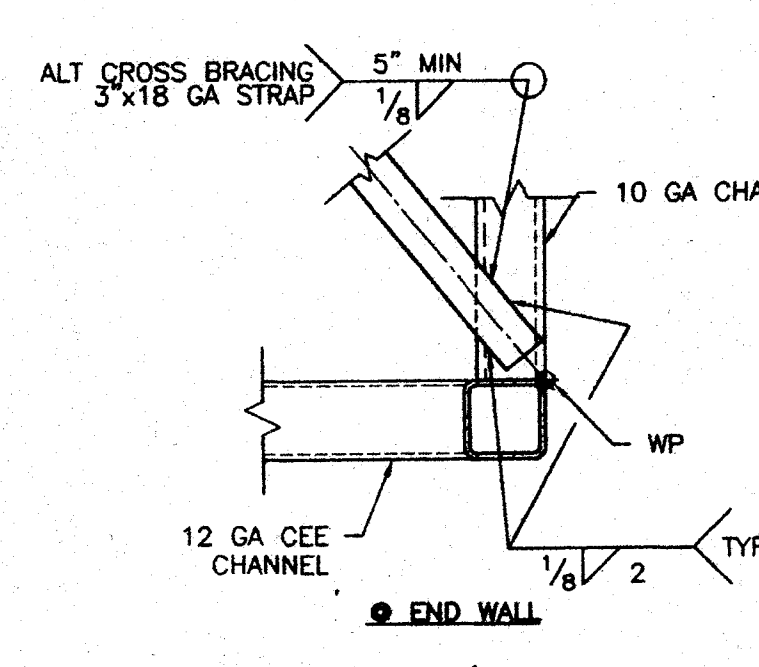
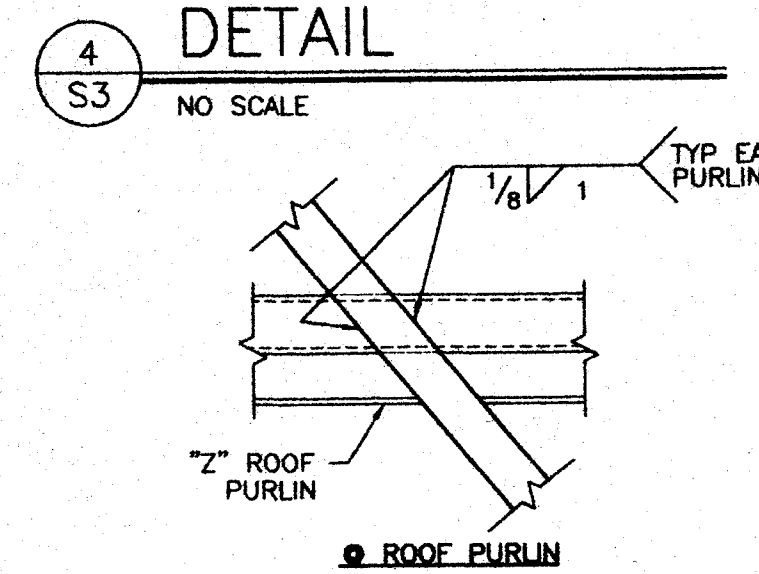
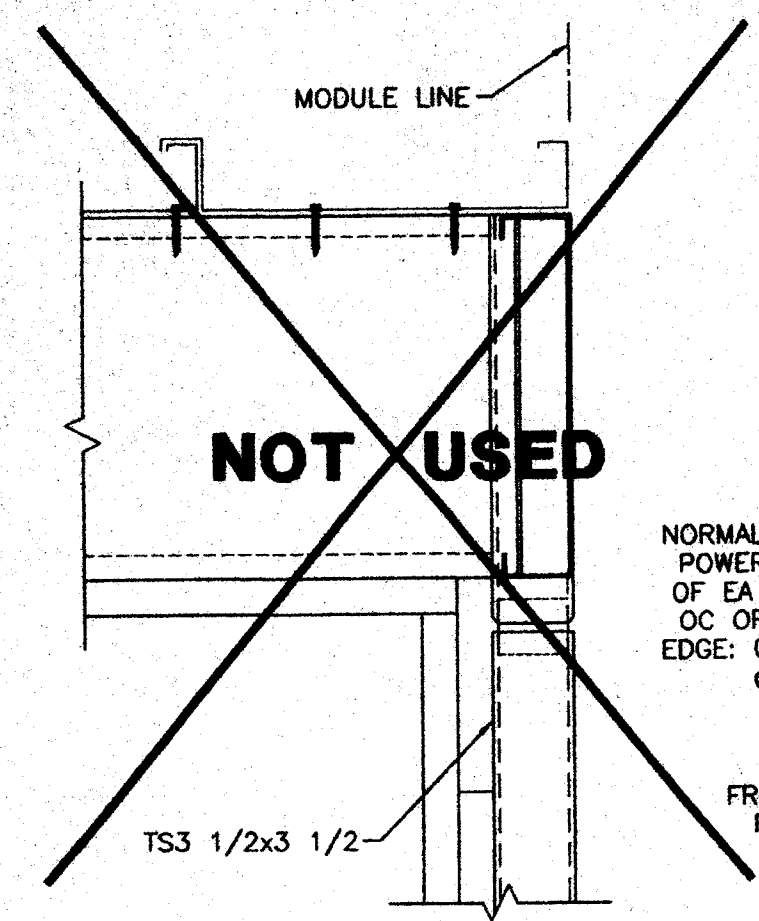
	14"	22"
A	2.90in ²	4.04in ²
SxMIN	9.00in ³	16.31in ³
IxMIN	70.75in ⁴	223.16in ⁴

BEAM FABRICATED FROM ASTM A570 GR50 W/ RUST INHIBITIVE COATING.

9A S3 DUAL PITCH 10 GA ROOF BM DETAIL
1 1/2" = 1'-0"

	14"	18"
A	2.90in ²	3.47in ²
SxMIN	9.00in ³	13.35in ³
IxMIN	70.75in ⁴	132.49in ⁴

BEAM FABRICATED FROM ASTM A570 GR50 W/ RUST INHIBITIVE COATING.



IDENTIFICATION STAMP
DIV. OF THE STATE ARCHITECT
APP03-107512
AC PLS S3 A1
DATE MAR 21 2003

IDENTIFICATION STAMP
DIV. OF THE STATE ARCHITECT
OFFICE OF REGULATION SERVICES
APPLICATION NO.
02-164851
AC PLS S3 A1
DATE OCT 22 2003

AMS
American Modular Systems Inc.
787 Sprickels Ave. Marietta, GA 05336
(209)825-1921 Fax: (209)825-7018
americanmodular.com

REGISTERED ARCHITECT
No. 1418
EXPIRES 12/31/05
Structural Engineer

REGISTERED PROFESSIONAL ENGINEER
No. 1418
EXPIRES 12/31/05
Structural Engineer

CUSTOMER: _____

DATE: 5/30/03
SCALE: AS NOTED
DRAWN BY: REM
DESIGNED BY: MDB
CHECKED BY: KAL
SERIAL NO. _____

ROOF FRAMING PLAN AND DETAILS

REVISIONS

NO	DATE	DESCRIPTION	NO	DATE	DESCRIPTION

PROJECT No.
02156-16

SHEET No.
S3

12 x 40
RESTROOM