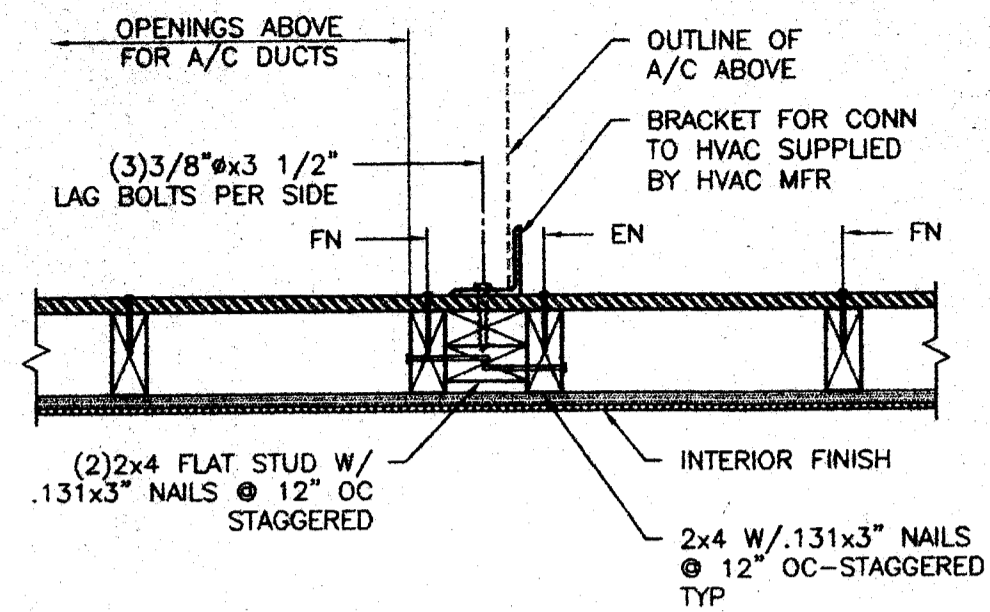
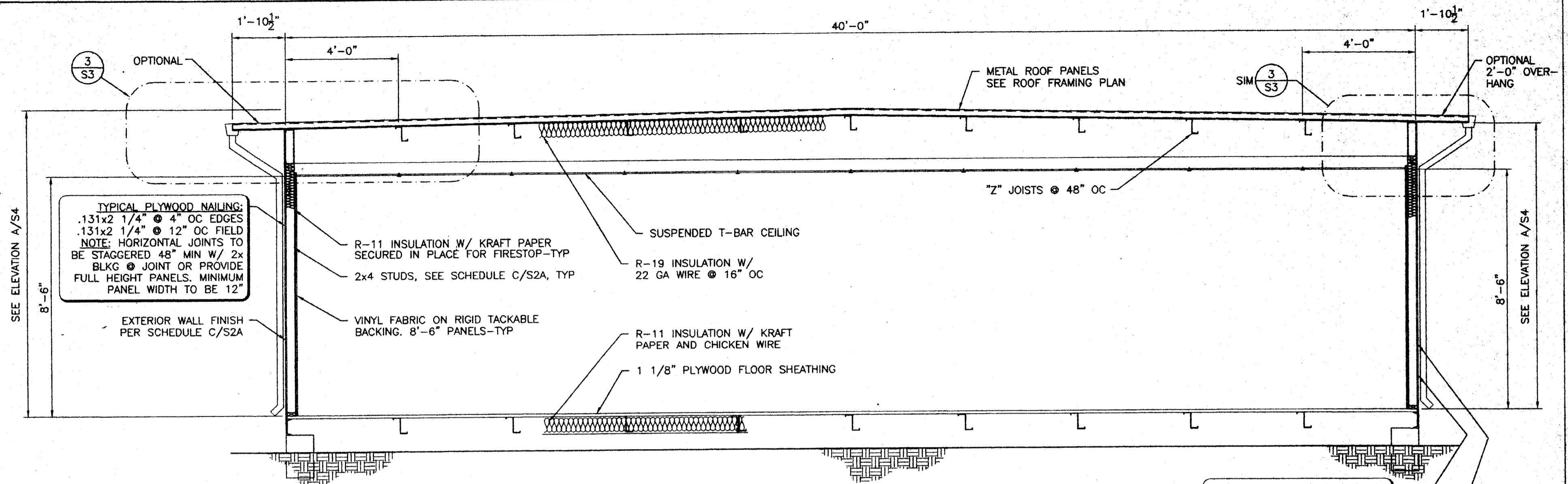


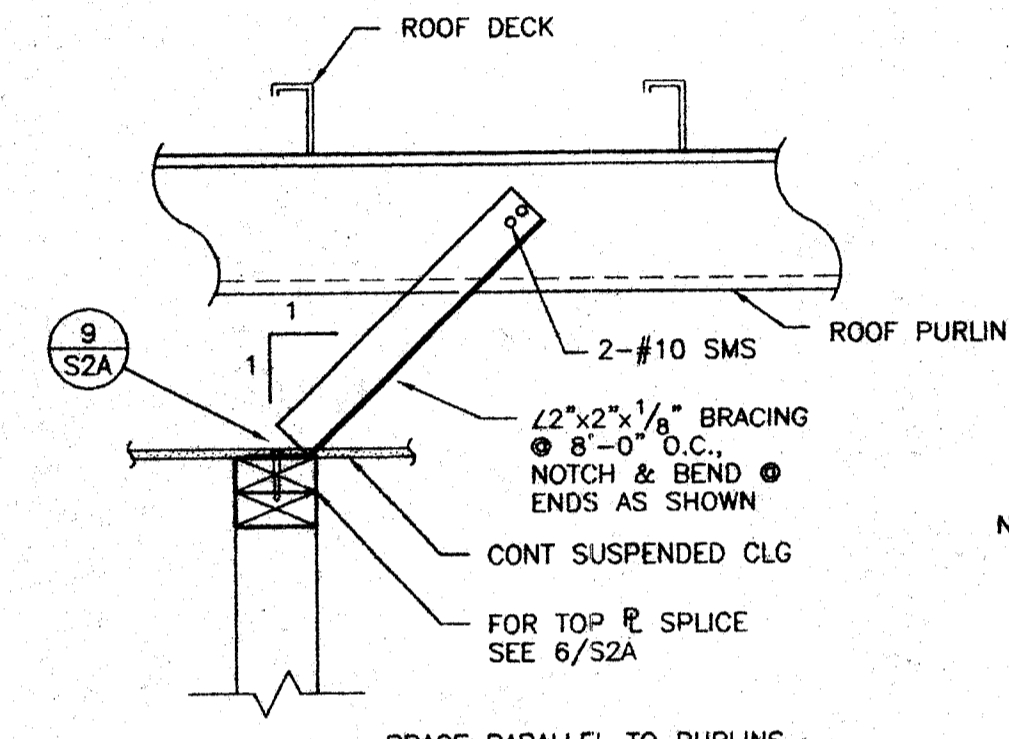
7
S2A
1 1/2" = 1'-0"



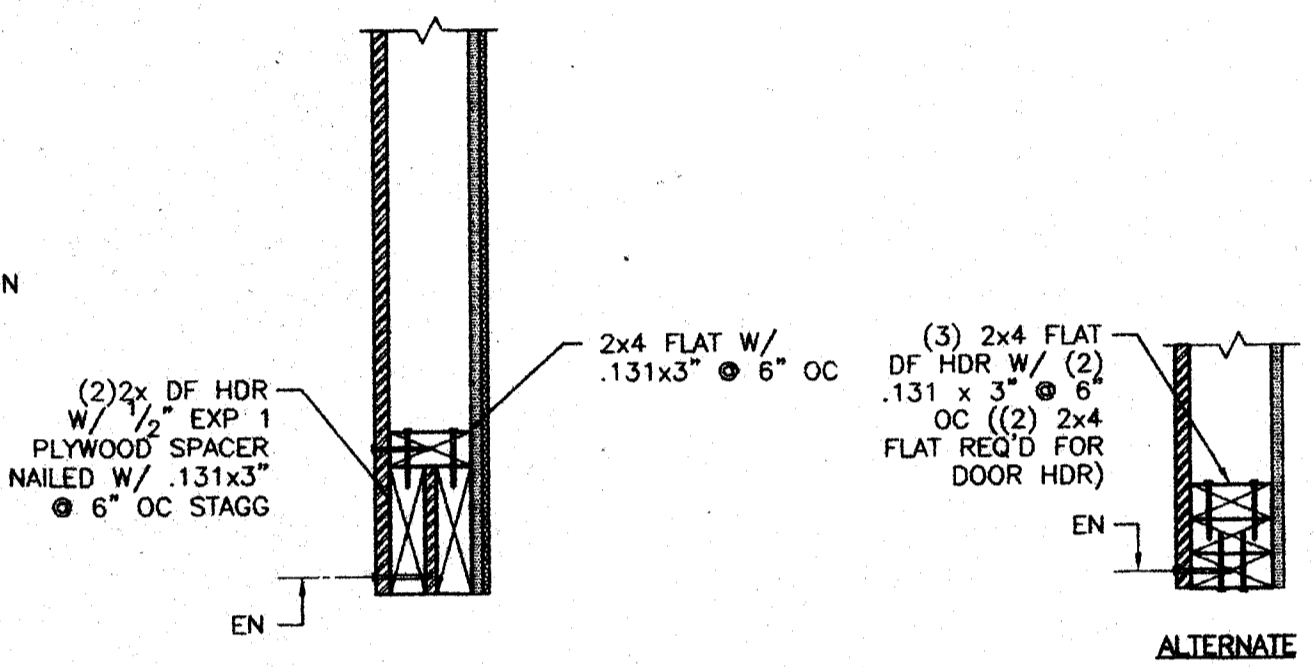
4
S2A
1 1/2" = 1'-0"



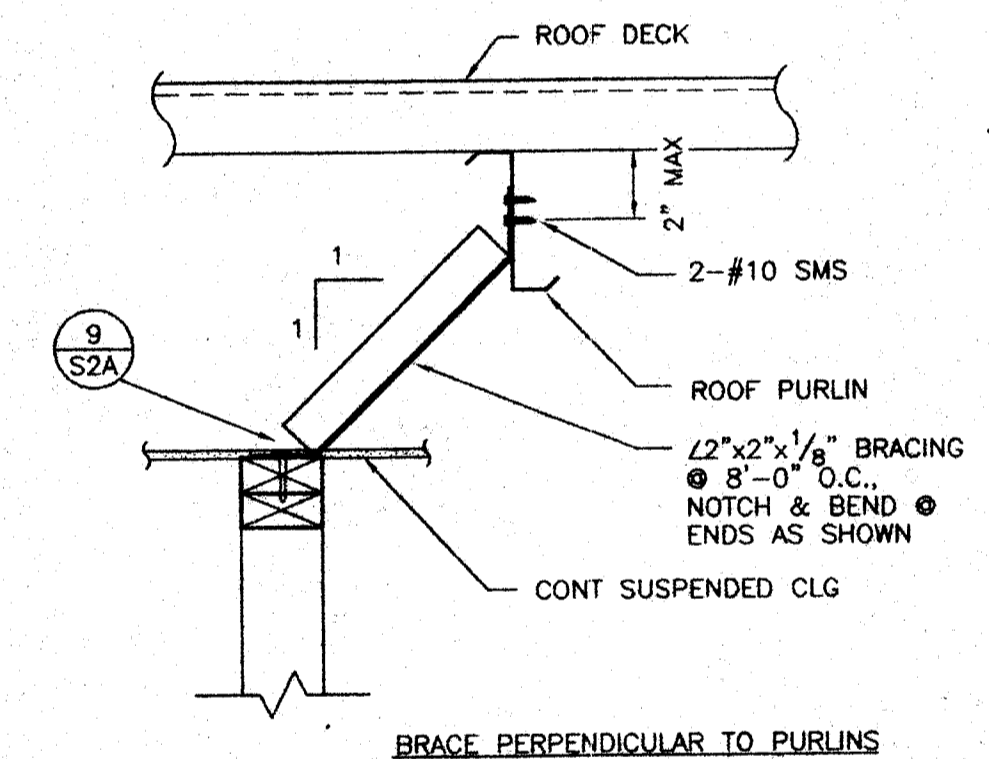
A
S2A
3/8" = 1'-0"



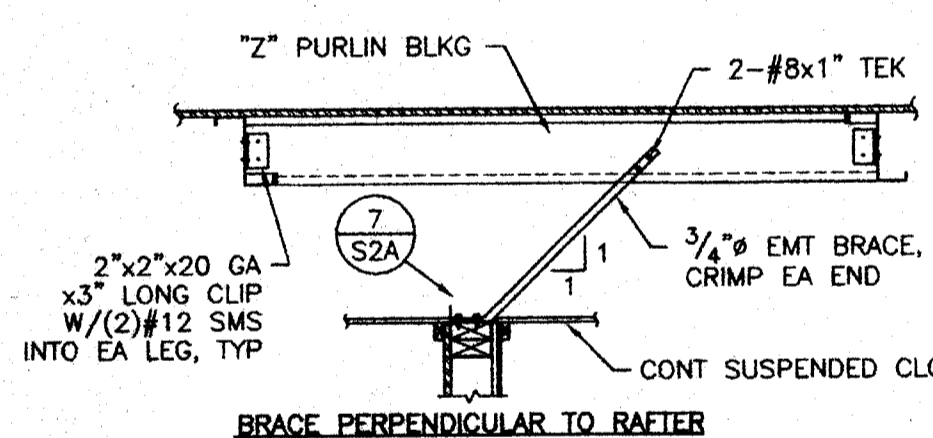
9
S2A



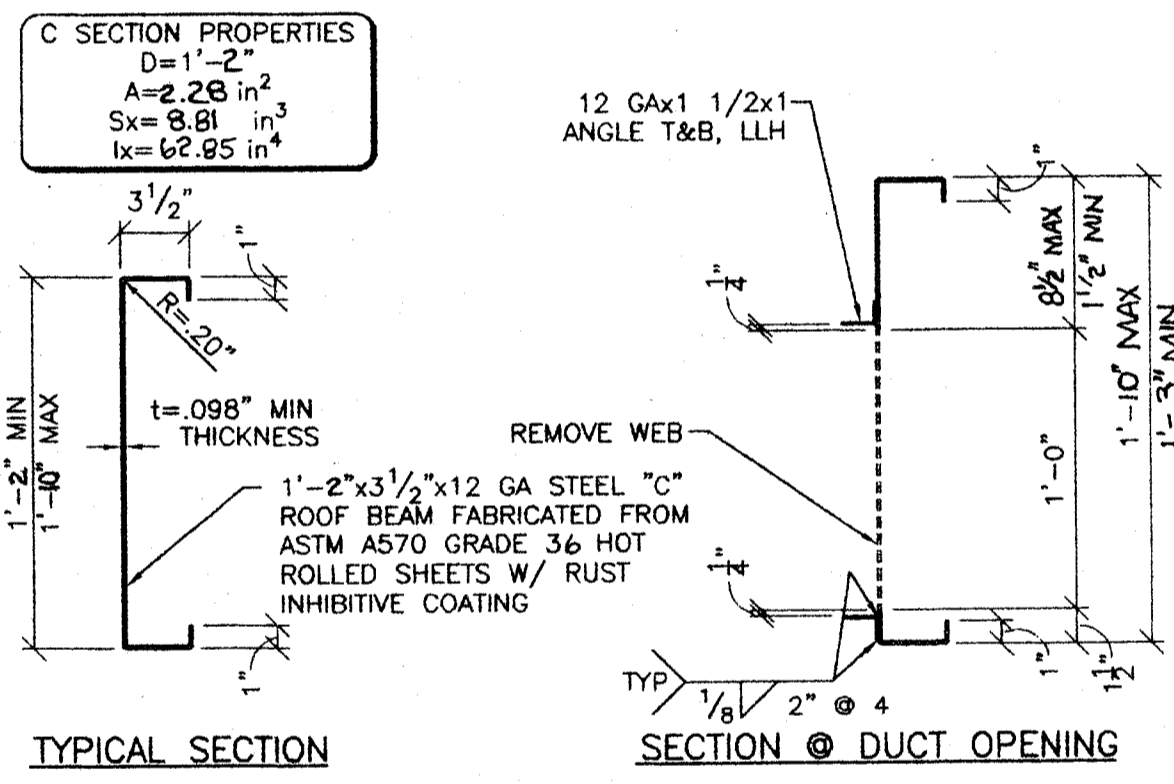
5
S2A
1 1/2" = 1'-0"



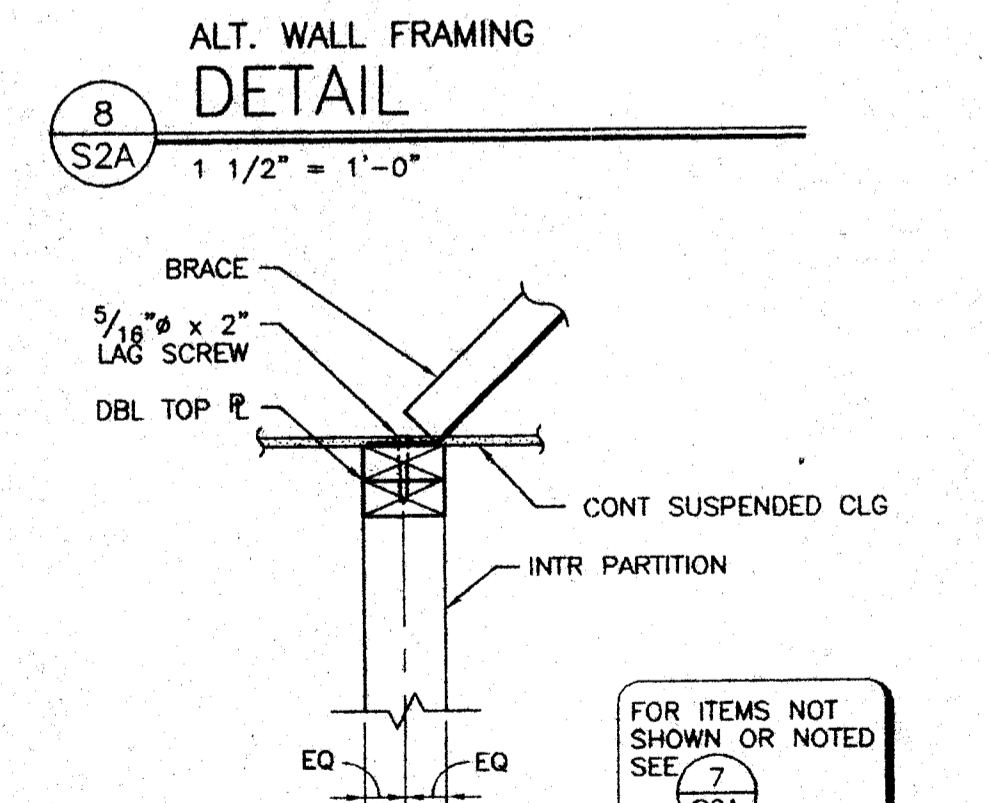
9
S2A



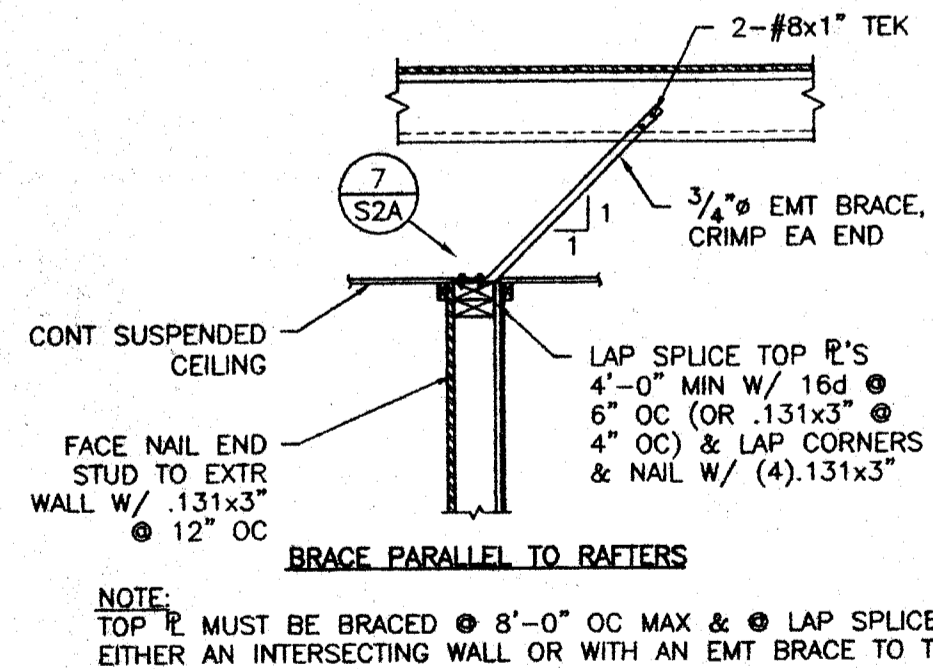
7
S2A



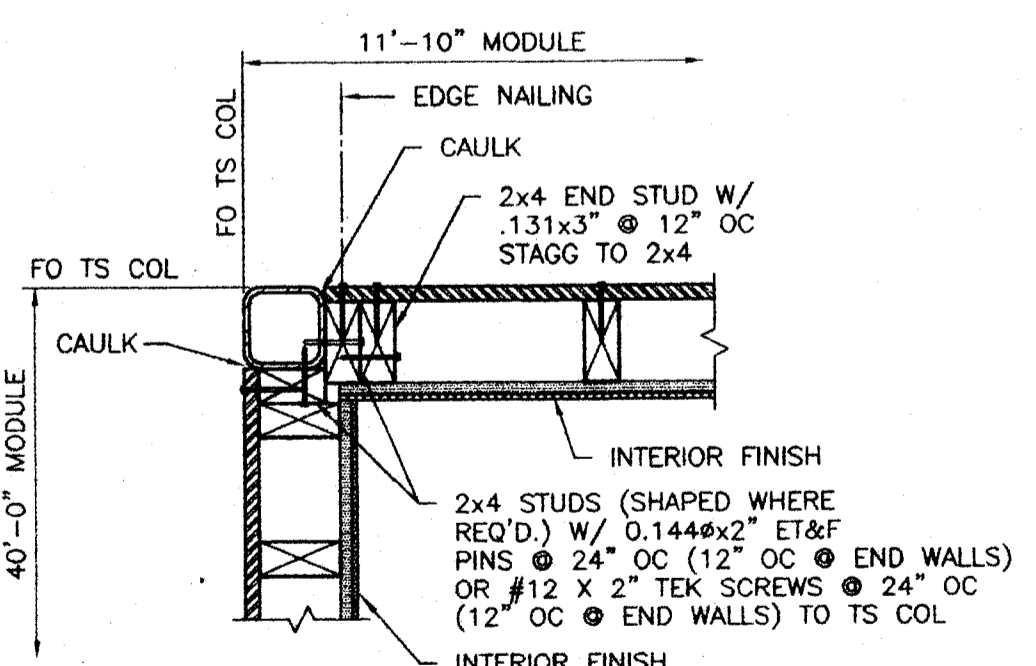
1
S2A
1 1/2" = 1'-0"



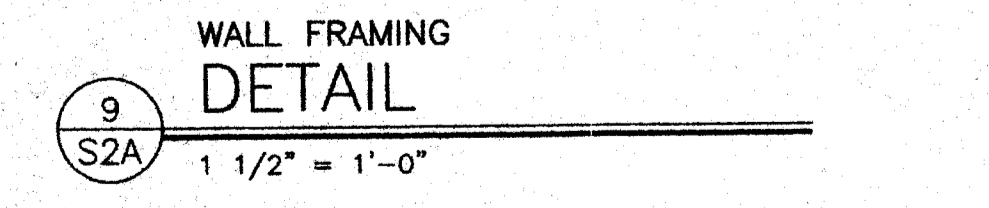
8
S2A
1 1/2" = 1'-0"



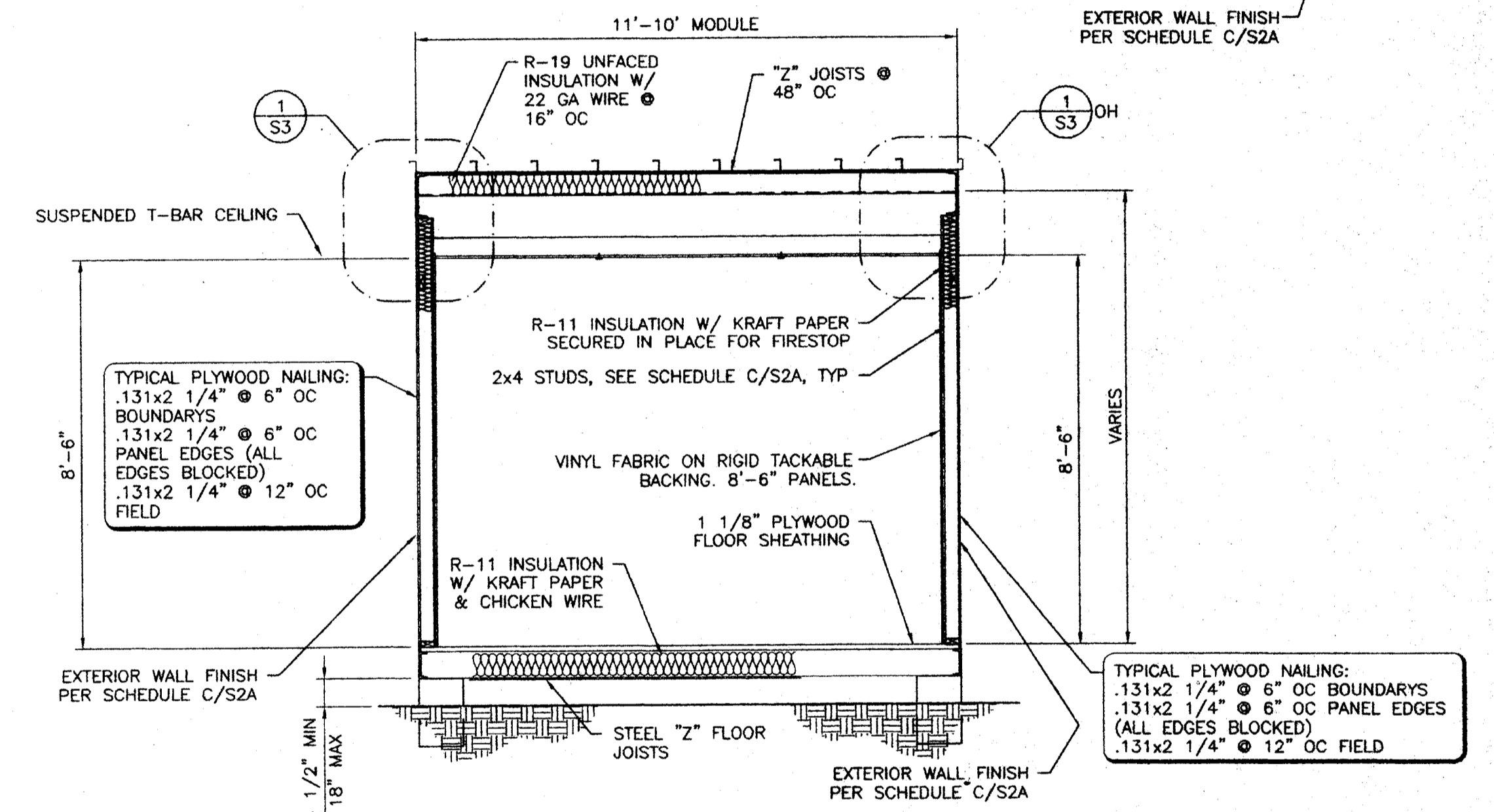
6
S2A
NO SCALE



3
S2A
1 1/2" = 1'-0"



9
S2A
1 1/2" = 1'-0"



B
S2A
3/8" = 1'-0"

EXTERIOR WALL FINISH/WALL STUD SCHEDULE				
FINISH TYPE	FOUNDATION TYPE	WALL FINISH COMMENTS	STUD TYPE	STUD SPACING
5/8" PLYWOOD SHEATHING 303 CONFORMING TO PS1-95. VERTICAL GROOVES @ 8" OC	WOOD OR CONCRETE	JOINT DETAIL SEE 4/S2 NAILING PER BLDG SECTIONS	HEM FIR #2	@ 16" OC
			DOUG FIR #2	@ 16" OC
5/16" HARDIBOARD WITH SYNTHETIC STUCCO	WOOD OR CONCRETE	JOINT DETAIL AND NAILING PER DETAIL 1 SHEET 2	HEM FIR #2	@ 16" OC
			DOUG FIR #2	@ 16" OC
1/2" PLYWOOD SHEATHING CONFORMING TO PS1-95. AFA RATED, 5 PLY 32/16, EXPOSURE 1.	CONCRETE ONLY	NAILING PER BLDG SECTIONS	HEM FIR #2	@ 12" OC
			DOUG FIR #2	@ 16" OC

C
S2A
NO SCALE

IDENTIFICATION STAMP
DIV. OF THE STATE ARCHITECT

APPROX. 107510

AC: RLS, JAL, AP
DATE: JAN 21 2004

2001 CBC FILE NO. PC
IDENTIFICATION STAMP
DIV. OF THE STATE ARCHITECT
OFFICE OF REGULATION SERVICES
APPLICATION NO.
02-104831
DATE: OCT 22 2003

12 x 40 RESTROOM

AMS
American Modular Systems Inc.
787 Spreckels Ave. Manteca, CA 95336
(209)825-1921 Fax (209)825-7018
americanmodular.com

REGISTERED ARCHITECT
Kenneth A. Luttrell
No. 14145
Structural Engineer
STATE OF CALIFORNIA

REGISTERED PROFESSIONAL ENGINEER
Kenneth A. Luttrell
No. 14145
Structural Engineer
STATE OF CALIFORNIA

CUSTOMER: _____

DATE: 5/30/03
SCALE: AS NOTED
DRAWN BY: REM
DESIGNED BY: MDB
CHECKED BY: KAL
SERIAL NO. _____

BUILDING SECTIONS AND WALL DETAILS

REVISIONS					
NO	DATE	DESCRIPTION	NO	DATE	DESCRIPTION

PROJECT No.
02156-16
SHEET No.
S2A

P:\02156\16\ACAD\STRUC\AS2.dwg Time: Jun 03, 2003 09:03:03am Logon: lawrencej_illmcclellan38 LT/S2A:rl6