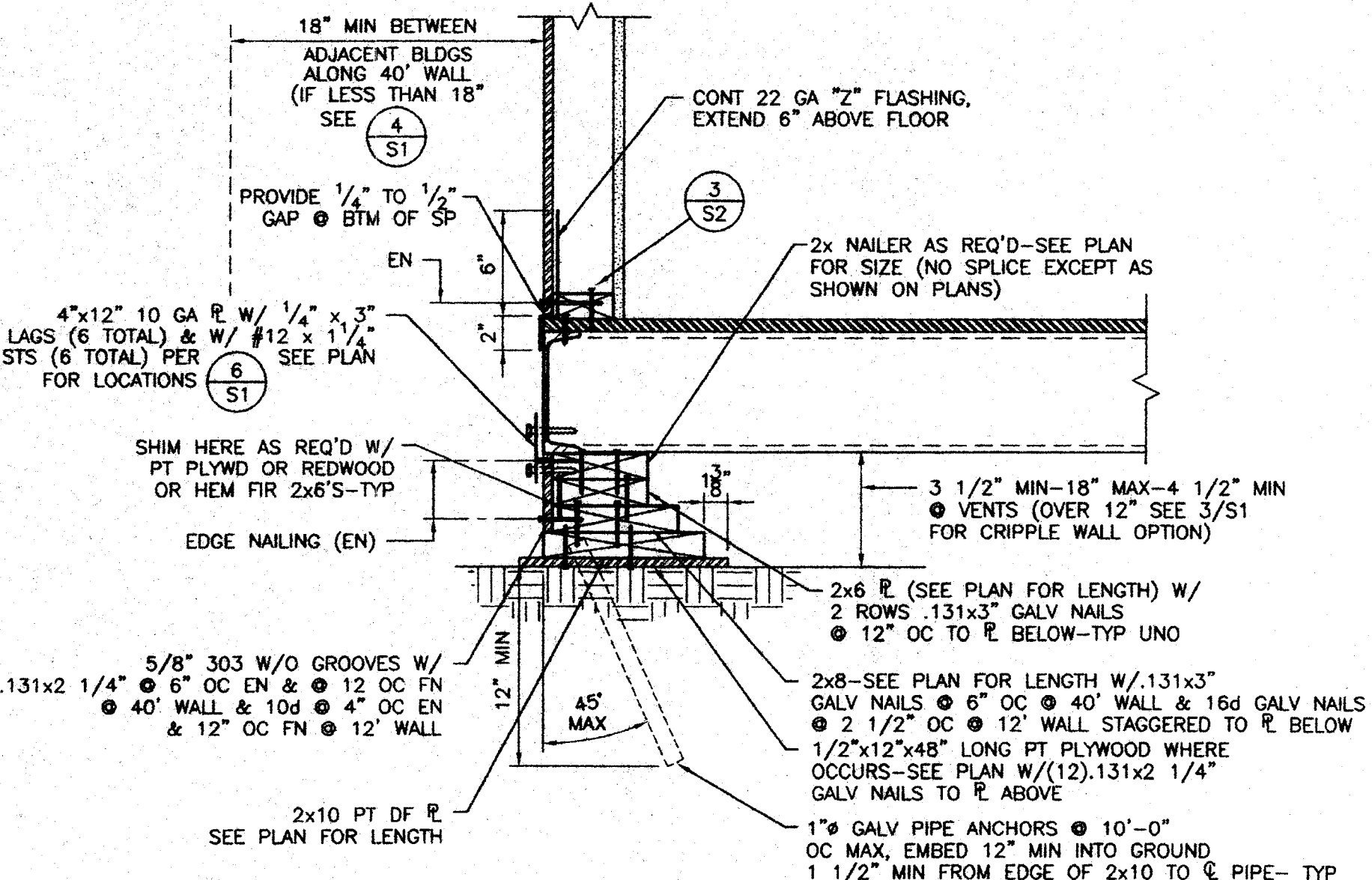


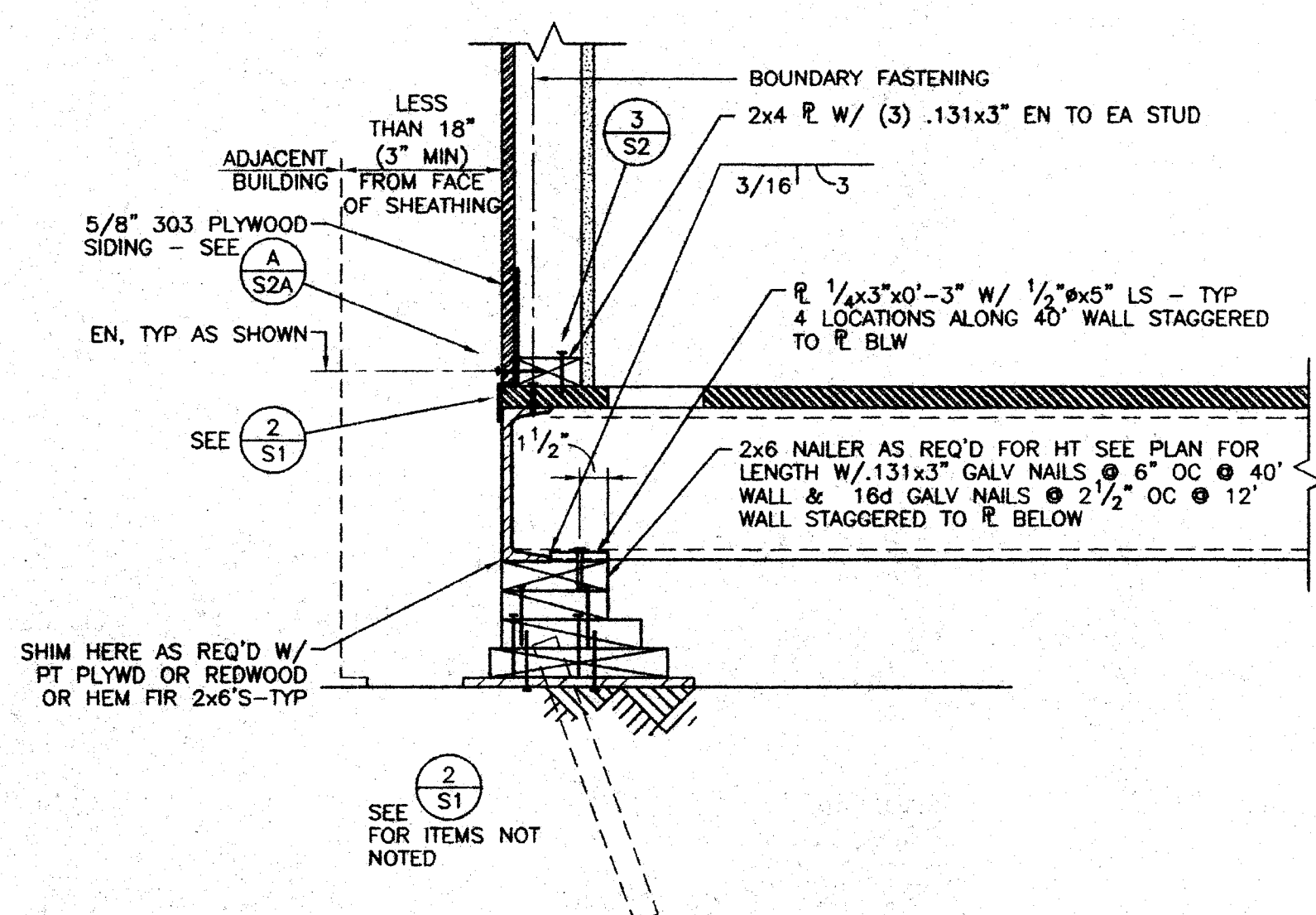
FOUNDATION DETAIL

1 1/2" = 1'-0"



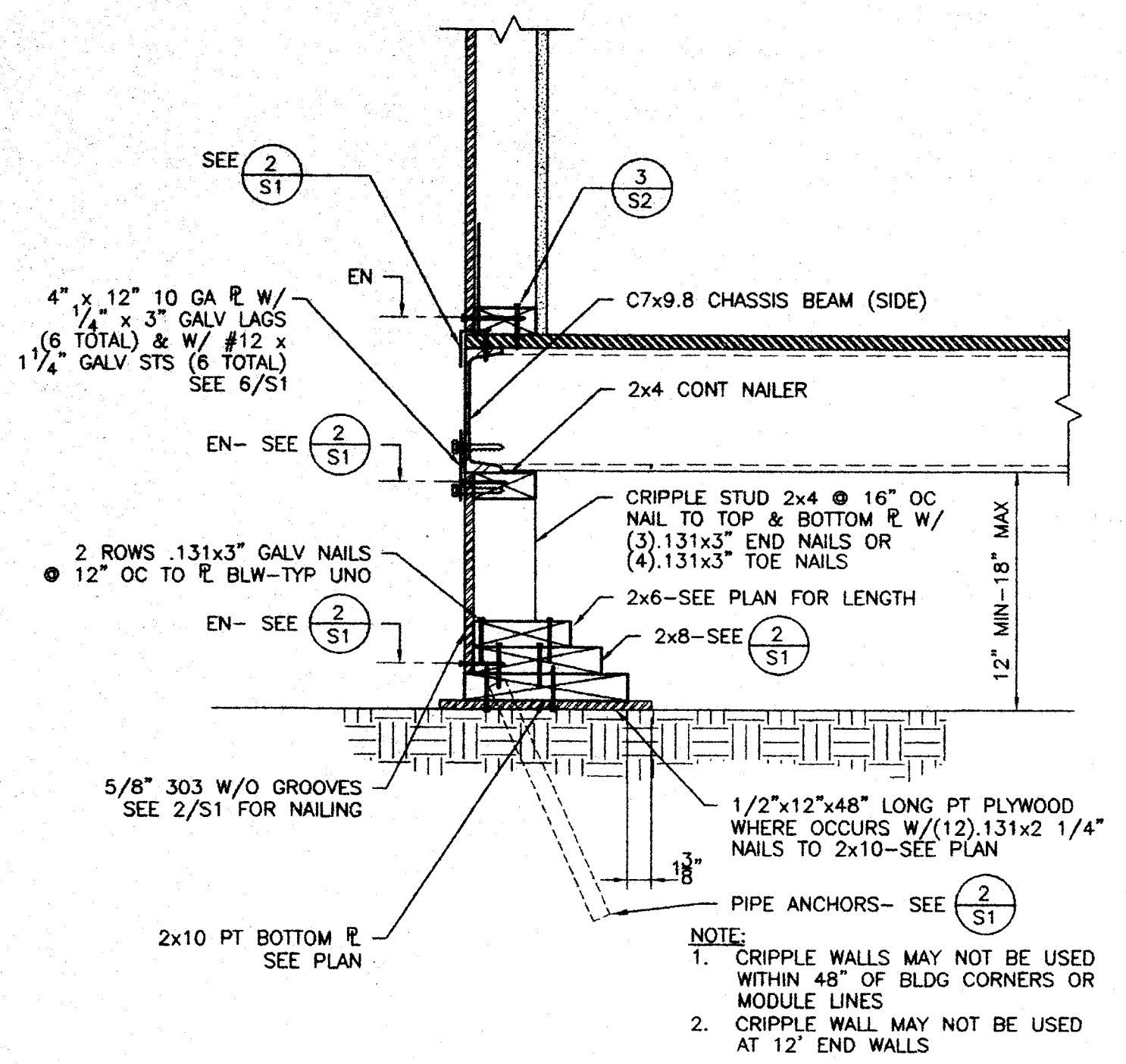
FOUNDATION DETAIL

2 1/2" = 1'-0"



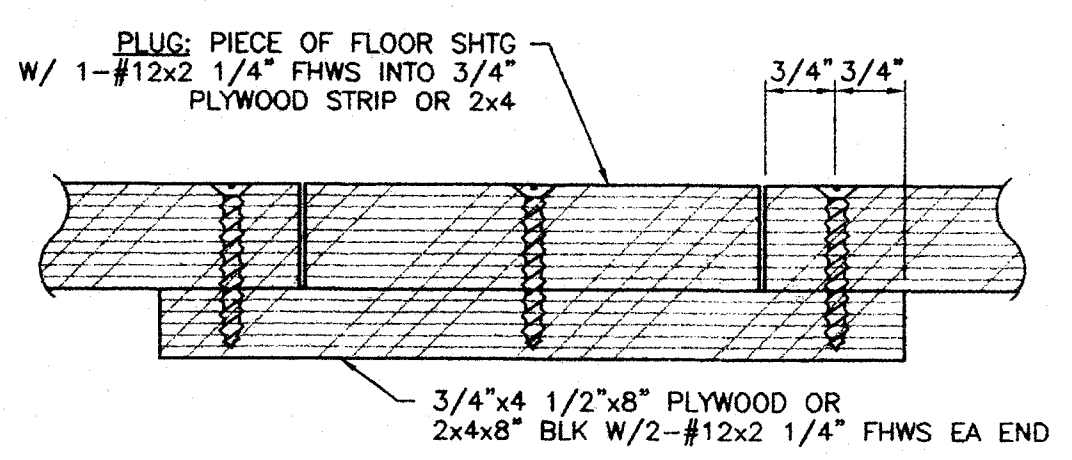
FOUNDATION DETAIL

4 1/2" = 1'-0"



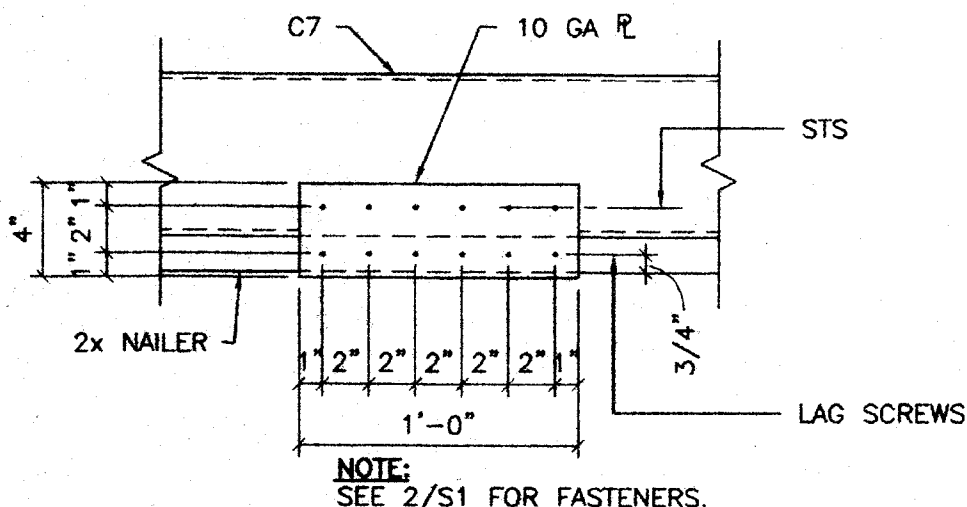
FOUNDATION DETAIL

3 1/2" = 1'-0"



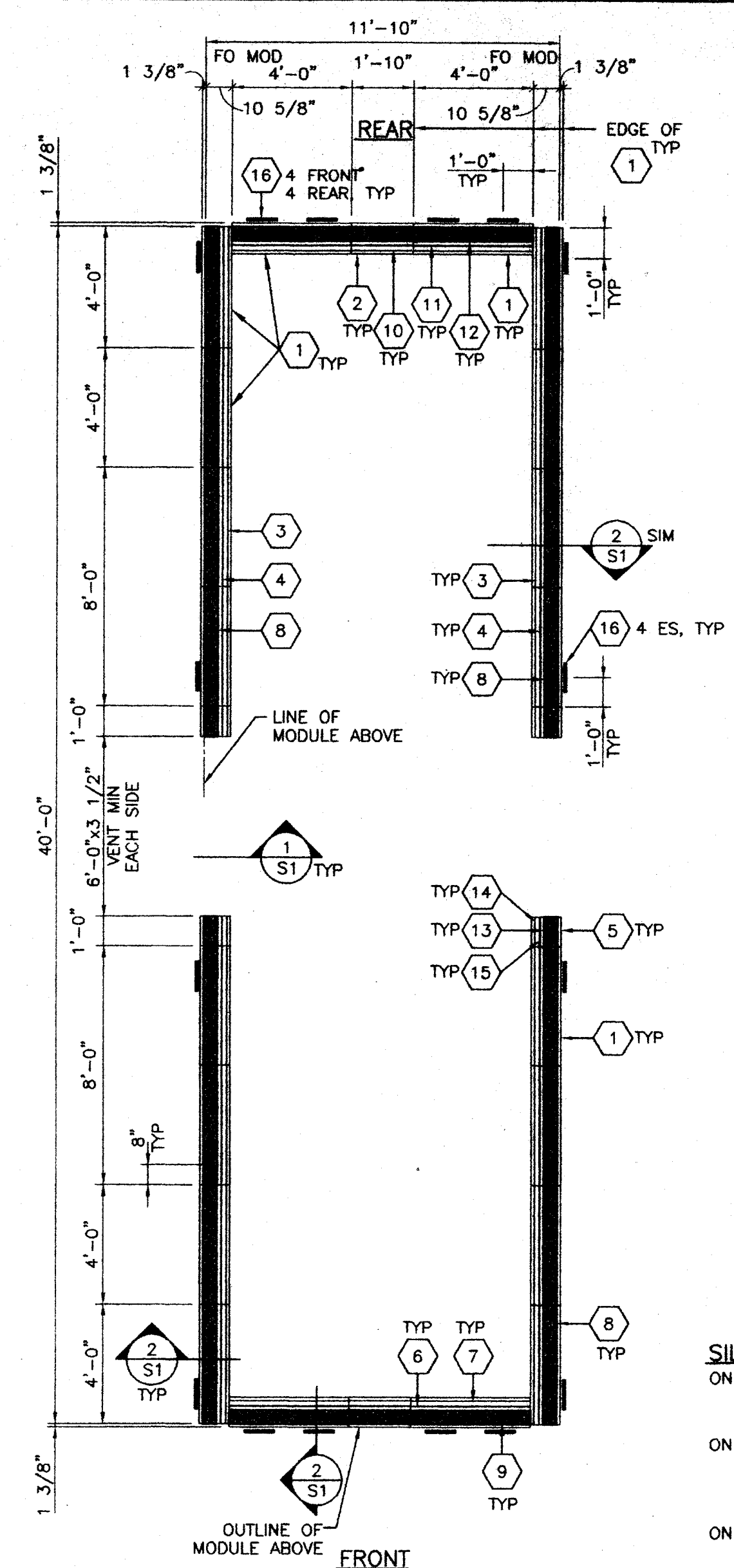
FILLER ACCESS HOLE DETAIL

5 NO SCALE



SHEAR PLATE DETAIL

6 3" = 1'-0"



FOUNDATION PLAN

1/4" = 1'-0"

- LEGEND**
- 1 1/2"x12" WIDE x48" LONG PT STRUCTURAL PLYWOOD W/ FACE GRAIN IN SHORT DIRECTION (CDX PLYWOOD)
 - 2 1/2"x12" WIDE x22" LONG PT STRUCTURAL PLYWOOD W/ FACE GRAIN IN SHORT DIRECTION (CDX PLYWOOD)
 - 3 2x10x8'-0" LONG R (PT R WHERE PLYWOOD DOES NOT EXIST)
 - 4 2x8x8'-0" LONG R
 - 5 1/2"x12" WIDE x12" LONG PT STRUCTURAL PLYWOOD W/ FACE GRAIN IN SHORT DIRECTION (CDX PLYWOOD)
 - 6 2x8x4'-0" LONG R
 - 7 2x10x4'-0" LONG R (PT R WHERE PLYWOOD DOES NOT EXIST)
 - 8 MULTIPLE 2x6x8'-0" LONG NAILER AS REQ'D FOR HEIGHT
 - 9 MULTIPLE 2x6x4'-0" LONG NAILER AS REQ'D FOR HEIGHT
 - 10 2x10x5'-10" LONG R (PT R WHERE PLYWOOD DOES NOT EXIST)
 - 11 2x8x5'-10" LONG R
 - 12 MULTIPLE 2x6x5'-10" LONG NAILER AS REQ'D FOR HEIGHT
 - 13 MULTIPLE 2x6x1'-0" LONG NAILER AS REQ'D FOR HEIGHT
 - 14 2x10x1'-0" LONG R (PT R WHERE PLYWOOD DOES NOT EXIST)
 - 15 2x8x1'-0" LONG R
 - 16 4"x12" 10 GA R PER 2/S1
- 1" GALVANIZED PIPE LOCATIONS-TYPICAL

- NOTES:**
1. TOP OF WOOD PADS TO BE LEVEL.
 2. DO NOT INSTALL BUILDINGS IN AREAS OF WATER LINES.
 3. SITE TO BE GRADED TO PREVENT WATER PONDING BENEATH THE STRUCTURE.
 4. FOUNDATION PLYWOOD TO BE CUT PERPENDICULAR TO THE FACE GRAIN.
 5. VENT AREA REQUIRED = (BASE) = 3.2 SF
 6. PER THE CONTRACT OF THIS PROJECT-THE BUILDING PAD MUST BE A MINIMUM OF 18"x50" AND SHALL NOT EXCEED 6" OUT OF LEVEL IN ANY DIRECTION.
 7. SEE 4/S2 FOR ENDWALL SP JOINTS.
 8. STUCCO WALLS ARE NOT ALLOWED ON WOOD FOUNDATIONS.

- SILL RESTRAINT:**
- ON SOIL: 1" HOT DIPPED GALV PIPE W/ 12" MIN PENETRATION BELOW SOIL SURFACE @ 10'-0" OC, MIN 2 EA 2x R. DRILL SILL 1 1/4" MAX. PIPE MAY BE DRIVEN MAX 45° ANGLE TO VERTICAL.
 - ON A/C PAVING: 1" HOT DIPPED GALV PIPE W/ 12" MIN PENETRATION BELOW PAVING SURFACE @ 10'-0" OC, MIN 2 EA 2x R. DRILL SILL 1 1/4" MAX. ALT: 60# HOT DIPPED GALV NAILS THRU PREDRILLED SILL R @ 32" OC.
 - ON CONC PAVING: 1" HOT DIPPED GALV PIPE W/ 12" MIN PENETRATION BELOW PAVING SURFACE @ 10'-0" OC, MIN 2 EA 2x R. DRILL SILL 1 1/4" MAX. ALT: 1/2" HILT KBIT'S THRU SILL R W/ 3/2" MIN CONC EMBEDMENT @ 5'-0" OC MAX.

FOUNDATIONS:

ALL FOUNDATION MATERIALS IN CONTACT WITH THE GROUND SHALL BE PRESSURE TREATED EXCEPT SHIMS MAY BE REDWOOD, HEM FIR OR CEDAR. PRESSURE TREATED DOUGLAS FIR, HEM FIR, PLYWOOD, ETC. SHALL BE VERIFIED BY A CERTIFICATE OF TREATMENT STATING: "THE MATERIAL IN THIS UNIT WAS TREATED PER 2001 CALIFORNIA BUILDING CODE. ALL MATERIAL FOR USE IN GROUND CONTACT SHALL BE STAMPED "FOR GROUND CONTACT" (LP22). ALL MATERIAL NOT USED IN GROUND CONTACT SHALL BE STAMPED "FOR ABOVE GROUND USE" OR "NOT FOR GROUND CONTACT" (LP2). THE IN-PLANT INSPECTOR SHALL VERIFY THAT ALL PRESSURE TREATED FOUNDATION MATERIAL IS CUT FROM AWPB STAMPED STOCK AND THAT ALL CUTS AND HOLES ARE RETREATED PER SPECIFICATIONS. LP-2 AND LP-22 MATERIAL SHALL BE BANDED SEPARATELY FOR SHIPMENT TO THE JOB SITE. THE IN-PLANT INSPECTOR'S VERIFICATION OF EACH BANDED UNIT SHALL BE ATTACHED TO THE MATERIAL. CONCRETE OR CONCRETE BLOCK FOUNDATIONS ARE NOT ALLOWED. THE FOOTING DESIGN SHALL PROVIDE FOR SHIMS AND BLOCKS NECESSARY TO PERMIT INSTALLATION ON SITES NOT LEVEL, BUT WITHIN TOLERANCE ALLOWED. INSTALLATION SHALL BE PERMITTED ON EITHER SOIL, CONCRETE OR A/C PAVING, HAVING SUITABLE DESIGN BEARING CAPACITY, THE BUILDINGS SHALL BE SECURELY FASTENED TO THE FOUNDATIONS. THE FOUNDATIONS AND THE METHOD OF FASTENING SHALL BE SUBJECT TO APPROVAL BY THE ARCHITECT AND DSA. PADS SHALL BE DESIGNED FOR A MAXIMUM OF 1000 PSF LOAD ON THE SOIL. PADS SHALL NOT BE PLACED ON TURF.

IDENTIFICATION STAMP
DIV. OF THE STATE ARCHITECT

APPO: 107510

AC: FLS CS AF
DATE: 4/21/03

2001 CBC FILE NO. PC

IDENTIFICATION STAMP
DIV. OF THE STATE ARCHITECT
OFFICE OF REGULATION SERVICES

APPLICATION NO.
02-104931

AC: FLS SB AH
DATE: 04/22/03

12 x 40 RESTROOM

AMS
American Modular Systems Inc.
787 Spreckels Ave. Manteca, CA 95336
(209)825-1921 Fax (209)825-7018
americanmodular.com

REGISTERED ARCHITECT
No. 1418
EXP. 3-31-05
Structural Engineer

REGISTERED PROFESSIONAL ENGINEER
No. 1418
EXP. 3-31-05
Structural Engineer

CUSTOMER:

WOOD FOUNDATION PLAN & DETAILS
50 PSF FLOOR LIVE LOAD PLUS
20 PSF PARTITION LOAD

DATE: 5/30/03
SCALE: AS NOTED
DRAWN BY: REM
DESIGNED BY: MDB
CHECKED BY: KAL
SERIAL NO.

REVISIONS

NO	DATE	DESCRIPTION	NO	DATE	DESCRIPTION

PROJECT No.
02156-16

SHEET No.
S1

P:\02156\16\ACAD\STRUC\STRUC.dwg The:Jun19 2003 09:35am Login:moer DimScale:48 LTScale:24