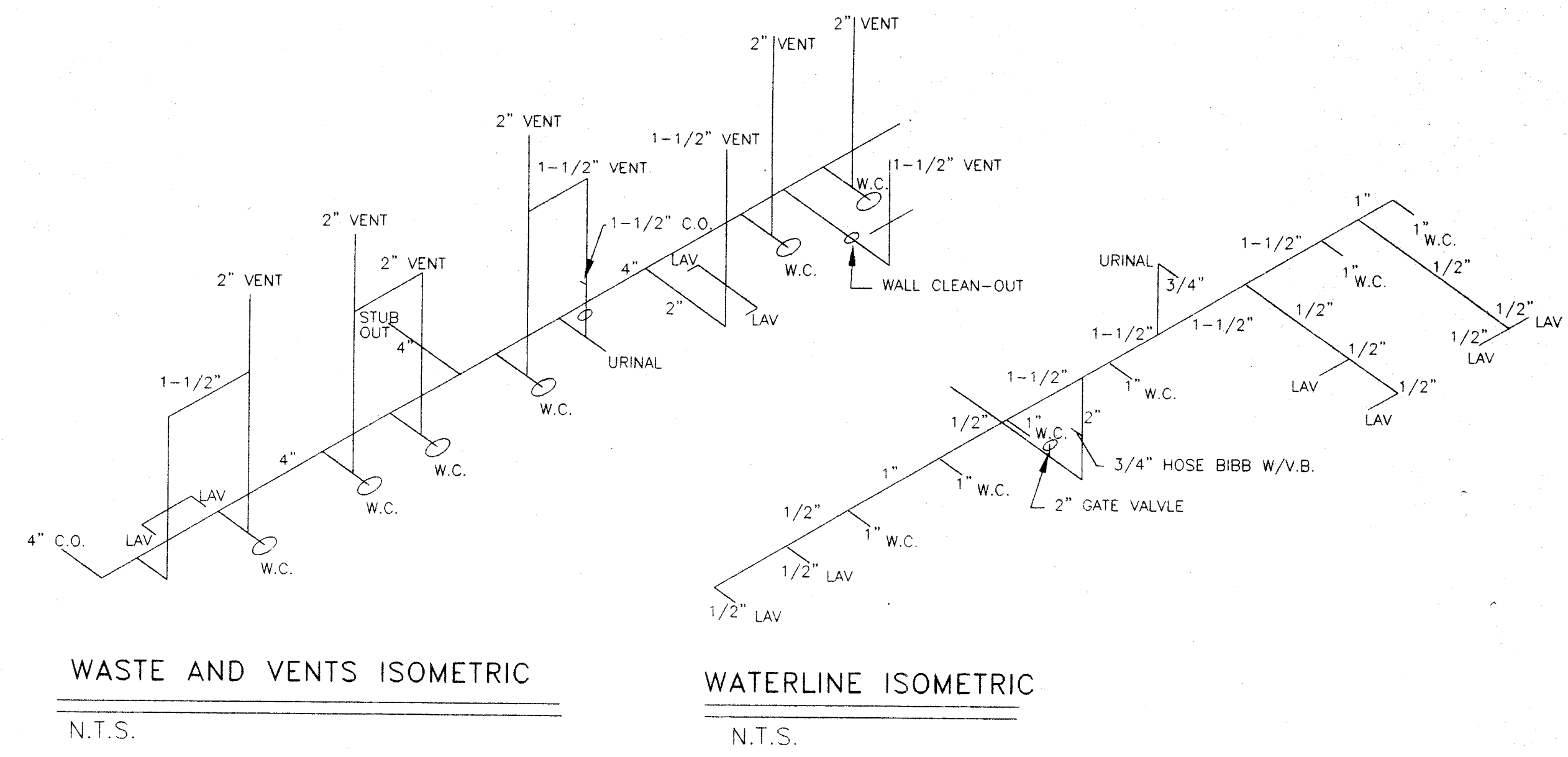
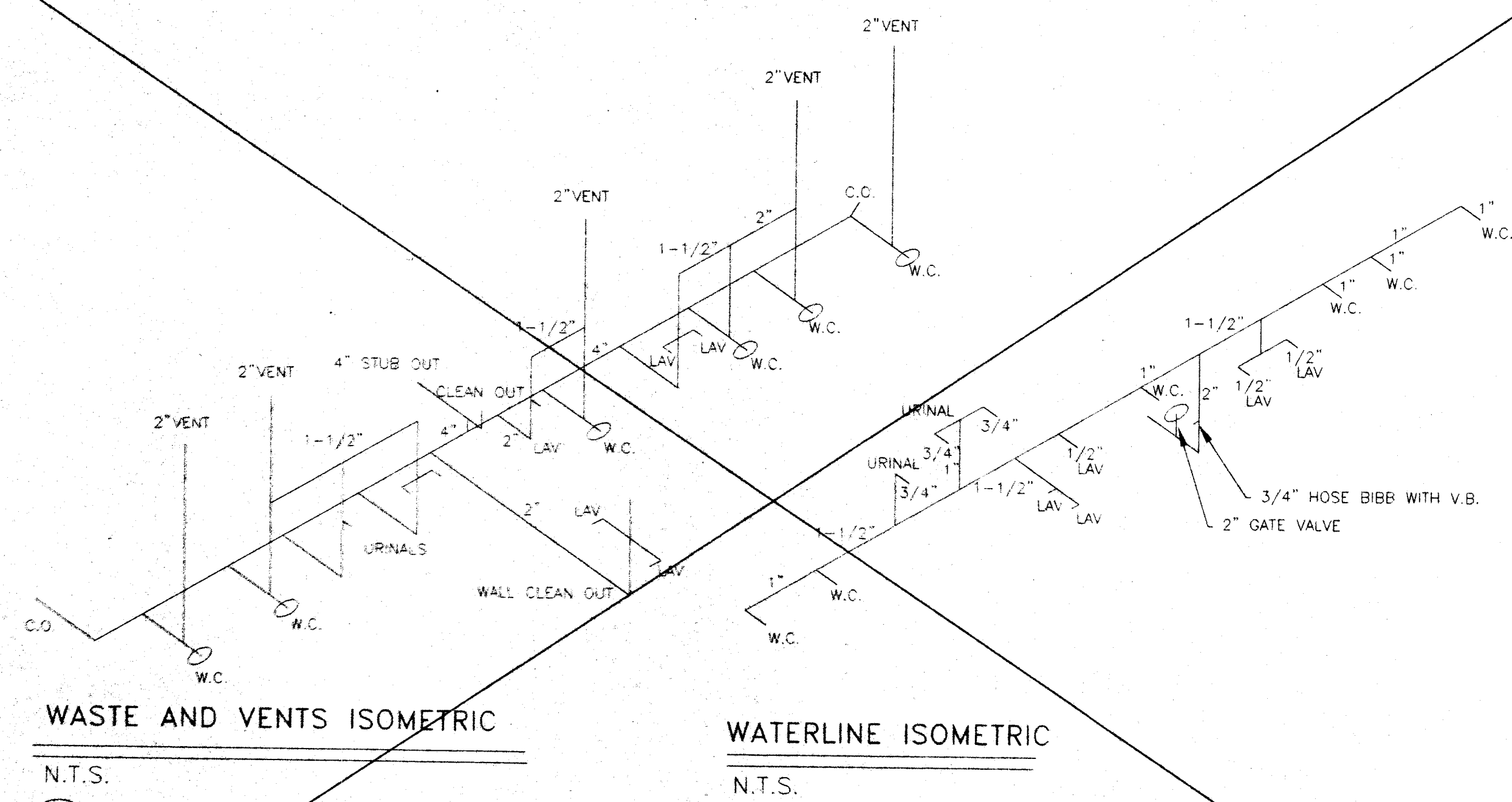


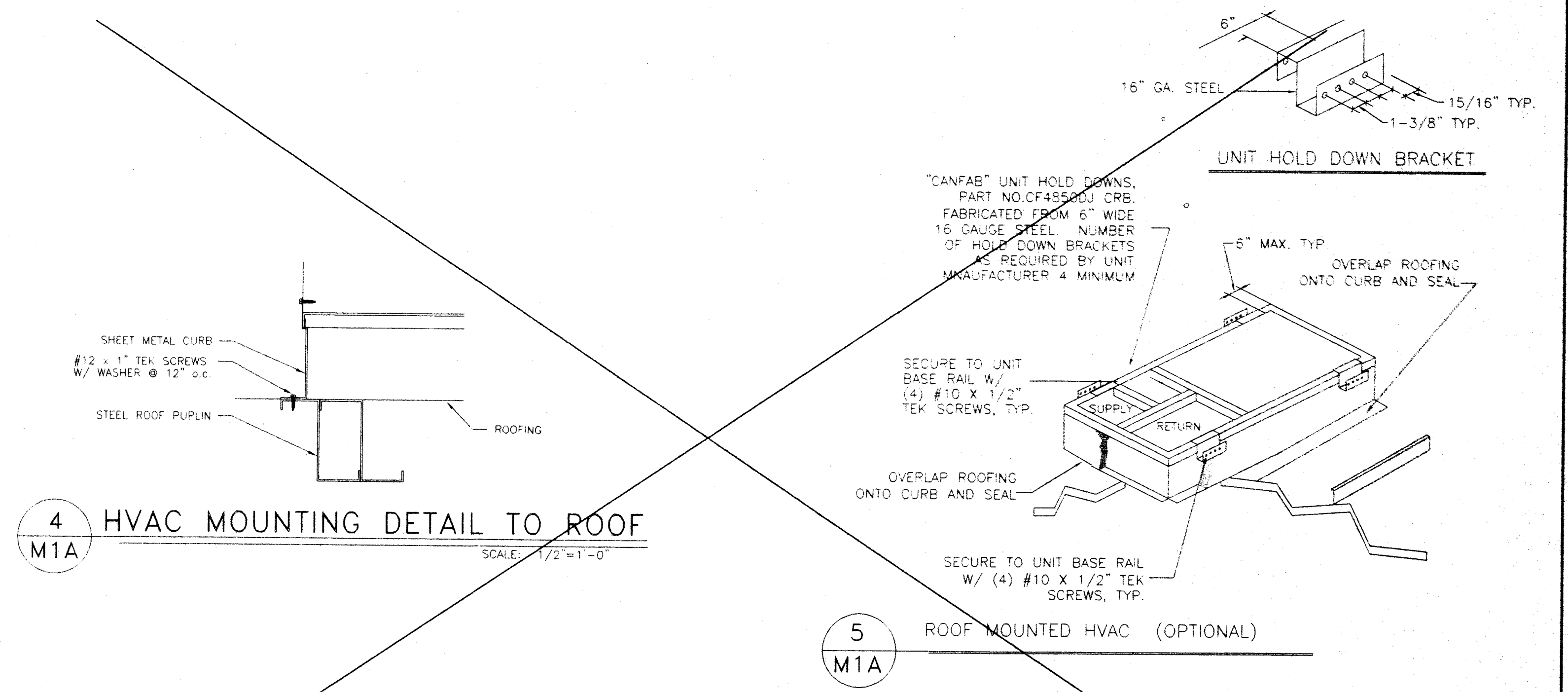
1
M1A ALTERNATE #1



3
M1A ALTERNATE #3



2
M1A ALTERNATE #2

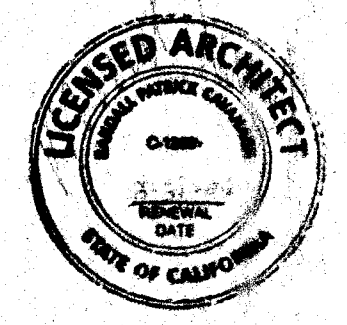


IDENTIFICATION STAMP
DIV. OF THE STATE ARCHITECT
APPROX-107512
AC [Signature]
DATE JAN 21 2004

FILE NO.
IDENTIFICATION STAMP
DIV. OF THE STATE ARCHITECT
OFFICE OF REGULATION SERVICES
AC [Signature] SS
DATE

BASED ON PC 02-104931

12 X 40
RELOCATABLE
BUILDING



CUSTOMER:
BAKERSFIELD CITY SCHOOL DISTRICT
CHIPMAN JUNIOR HIGH SCHOOL

DATE: 10-24-03
SCALE: NONE
DRAWN BY: M.H.
CHECKED BY:
CHECKED BY:
SERIAL NO.

REVISIONS					
NO	DATE	DESCRIPTION	NO	DATE	DESCRIPTION
△			△		
△			△		
△			△		
△			△		

PROJECT NO.

SHEET No.
M1A

ISOMETRIC PLANS & DETAILS