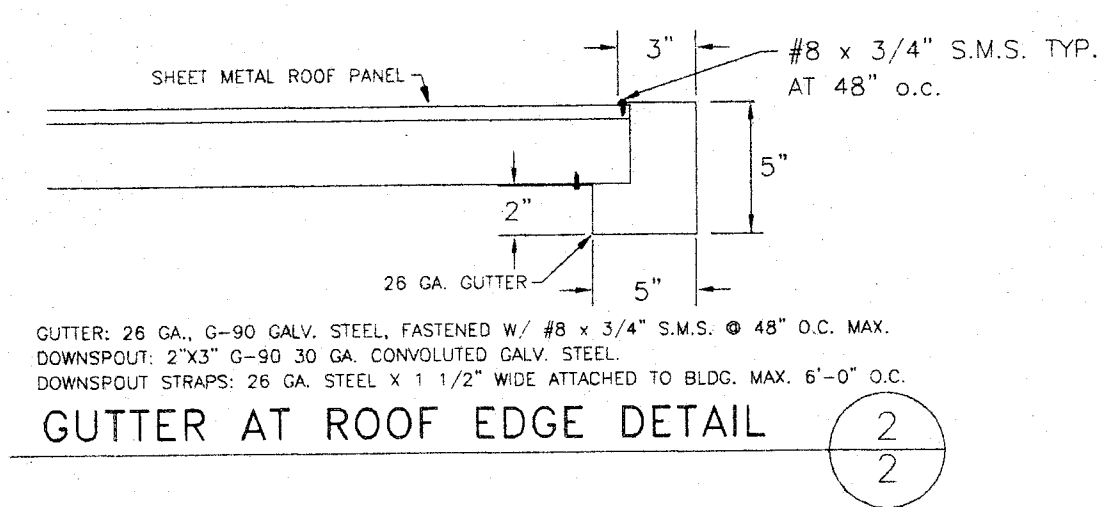


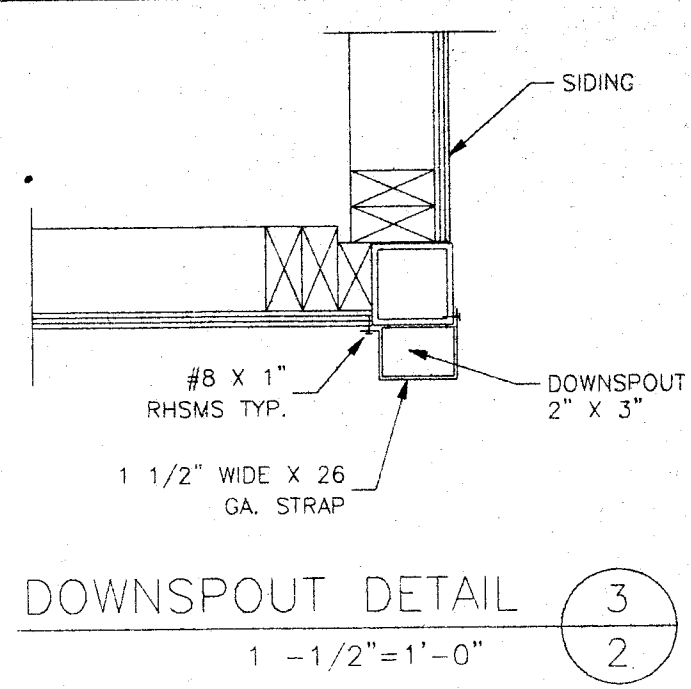
END WALL ELEVATION (A)  
SCALE: 1/4" = 1'-0"

**ROOM ID SIGNAGE** SEE SHEET 4 DETAILS E/4 & 1/4  
NOT A PART OF THIS CONTRACT (NOT PROVIDED BY A.M.S.)

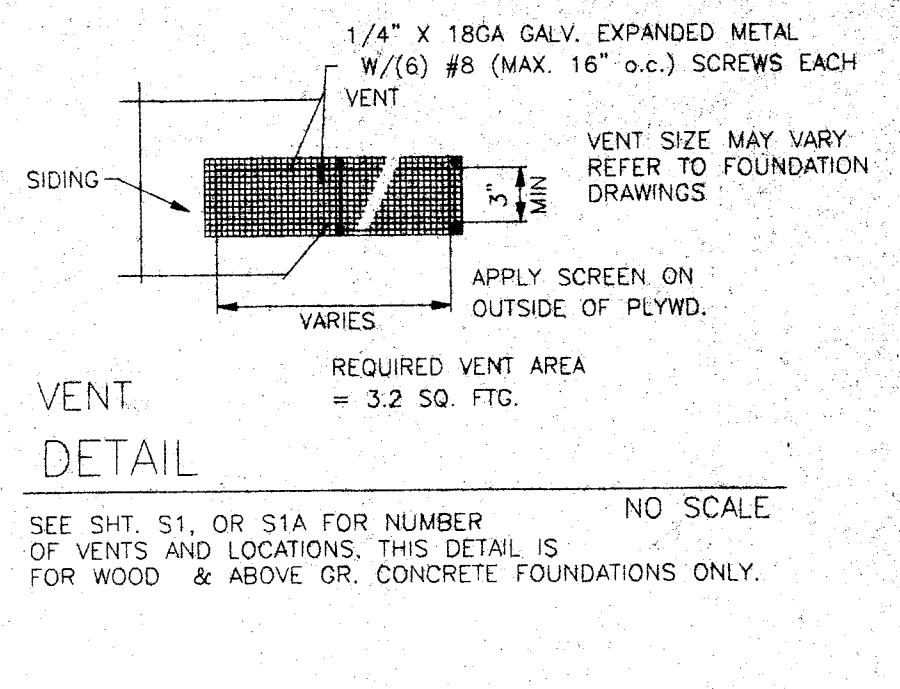
NOTE:  
ROOM IDENTIFICATION SIGNAGE SHALL BE PROVIDED FOR ROOMS OR SPACES. RAISED LETTERS SHALL BE PROVIDED AND SHALL BE ACCOMPANIED BY BRAILLE IN CONFORMANCE WITH THE FOLLOWING: CONTRACTED GRADE 2 BRAILLE SHALL BE USED. DOTS SHALL BE 1/10 INCH ON CENTER IN EACH CELL WITH 2/10 INCH SPACE BETWEEN CELLS. DOTS SHALL BE RAISED A MINIMUM 1/40 INCH ABOVE BACKGROUND. SIGNS SHALL BE INSTALLED ON WALL ADJACENT TO LATCH OUTSIDE OF DOOR WHERE THERE IS NO SPACE ON THE LATCH SIDE. SIGNS SHALL BE PLACED ON THE NEAREST ADJACENT WALL, PREFERABLY ON THE RIGHT. MOUNTING HEIGHT SHALL BE 60" ABOVE THE FINISH FLOOR TO THE CENTER OF THE SIGN.



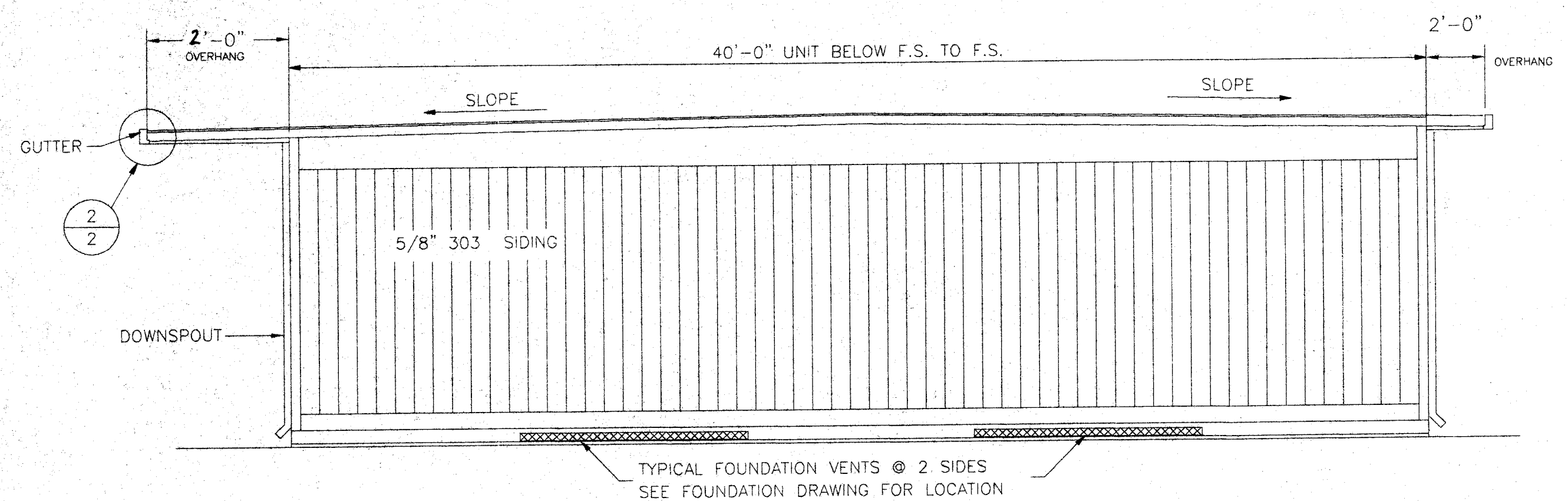
GUTTER AT ROOF EDGE DETAIL (2)



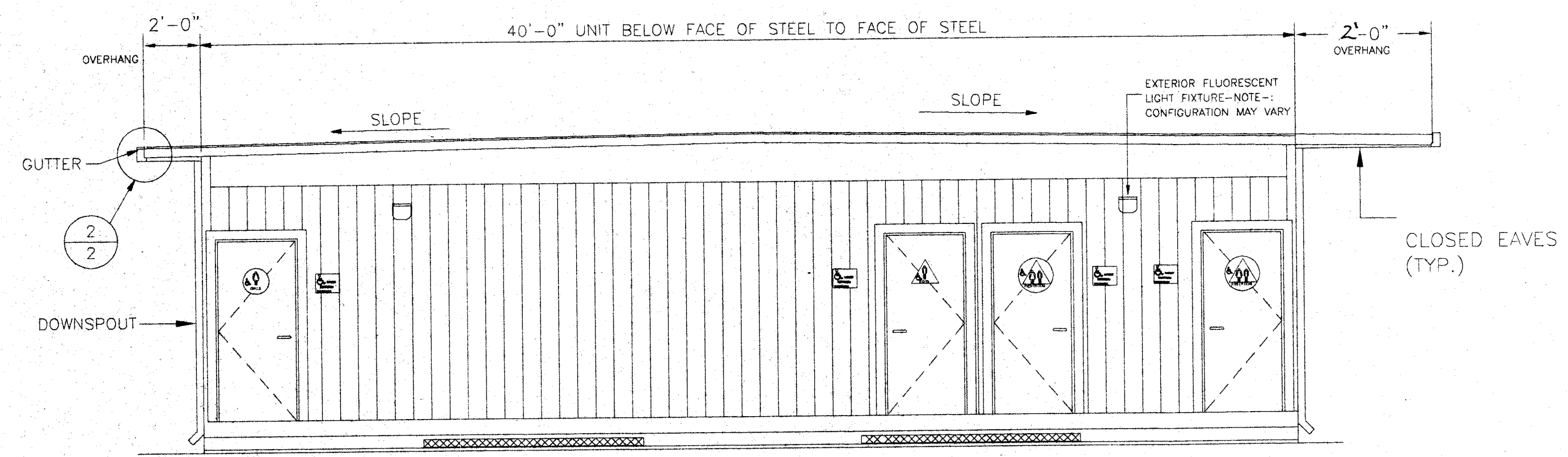
DOWNSPOUT DETAIL (3)  
1 - 1/2" = 1'-0"



VENT DETAIL  
NO SCALE



REAR WALL ELEVATION (B)  
SCALE: 1/4" = 1'-0"



FRONT WALL ELEVATION (C)  
SCALE: 1/4" = 1'-0"

IDENTIFICATION STAMP  
DIV. OF THE STATE ARCHITECT  
APPROX 107519  
AC 2 FLS 21 03 AP  
DATE 08/27/11

FILE NO.  
IDENTIFICATION STAMP  
DIV. OF THE STATE ARCHITECT  
OFFICE OF REGULATION SERVICES  
AC FLS SS  
DATE

BASED ON PC 02-104931

12 X 40  
RELOCATABLE  
CLASSROOMS



CUSTOMER:  
BAKERSFIELD CITY SCHOOL DISTRICT  
CHIPMAN JUNIOR HIGH SCHOOL

EXTERIOR ELEVATIONS

DATE: 10-24-03  
SCALE: NONE  
DRAWN BY: Y.A.  
CHECKED BY:  
SERIAL NO.

REVISIONS					
NO	DATE	DESCRIPTION	NO	DATE	DESCRIPTION

PROJECT No.  
SHEET No.  
2