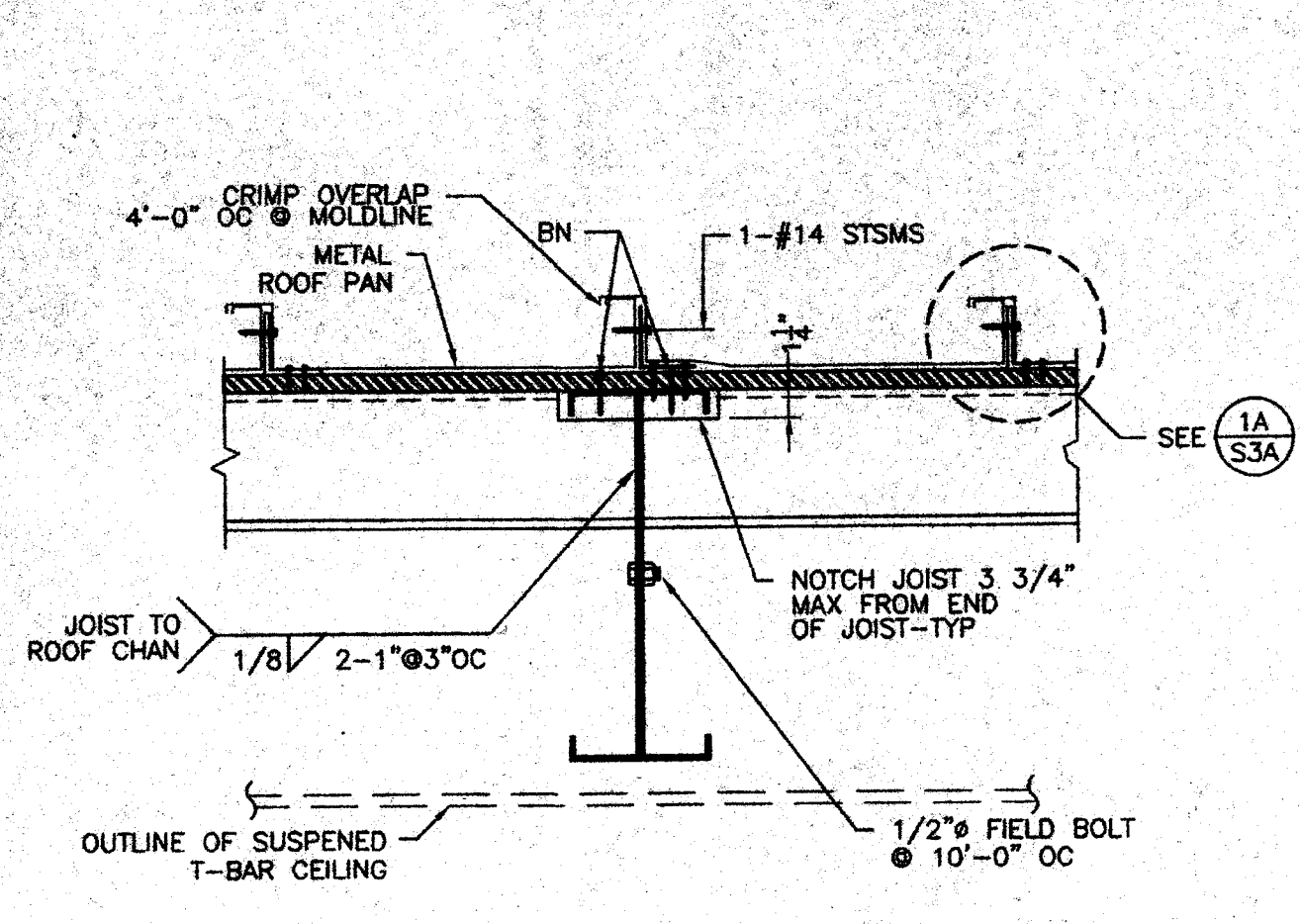
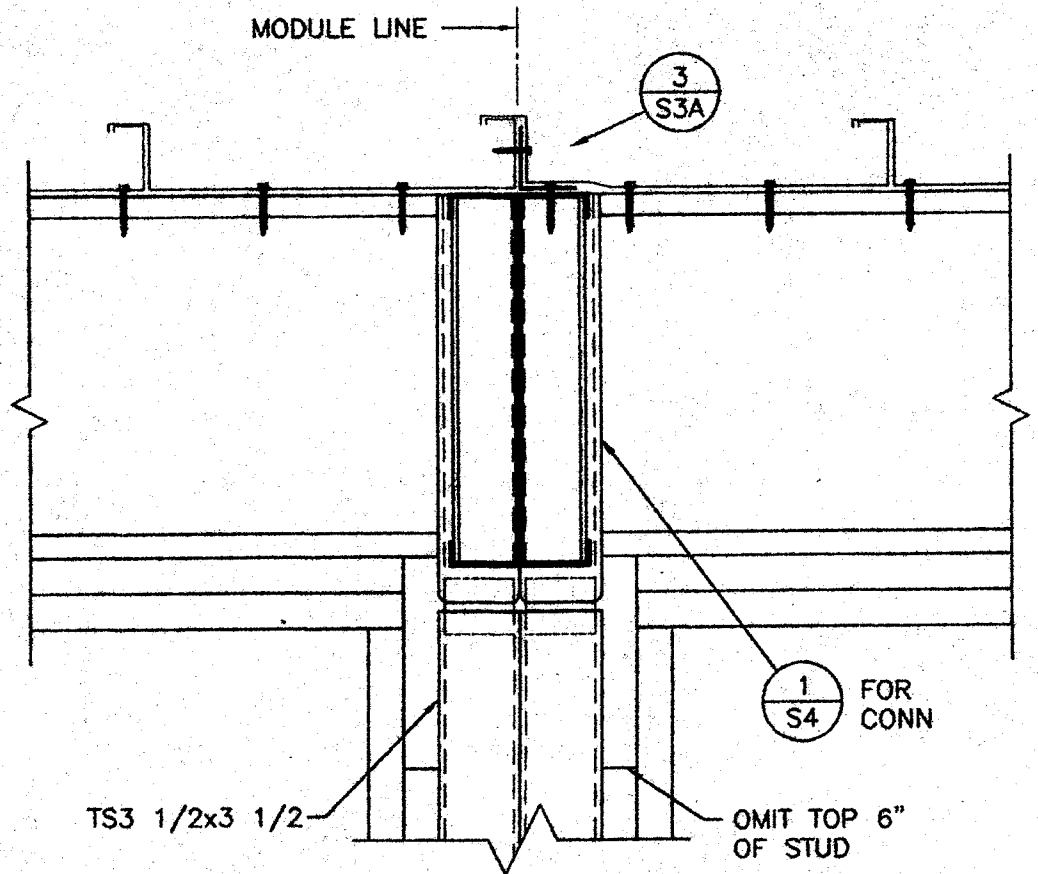


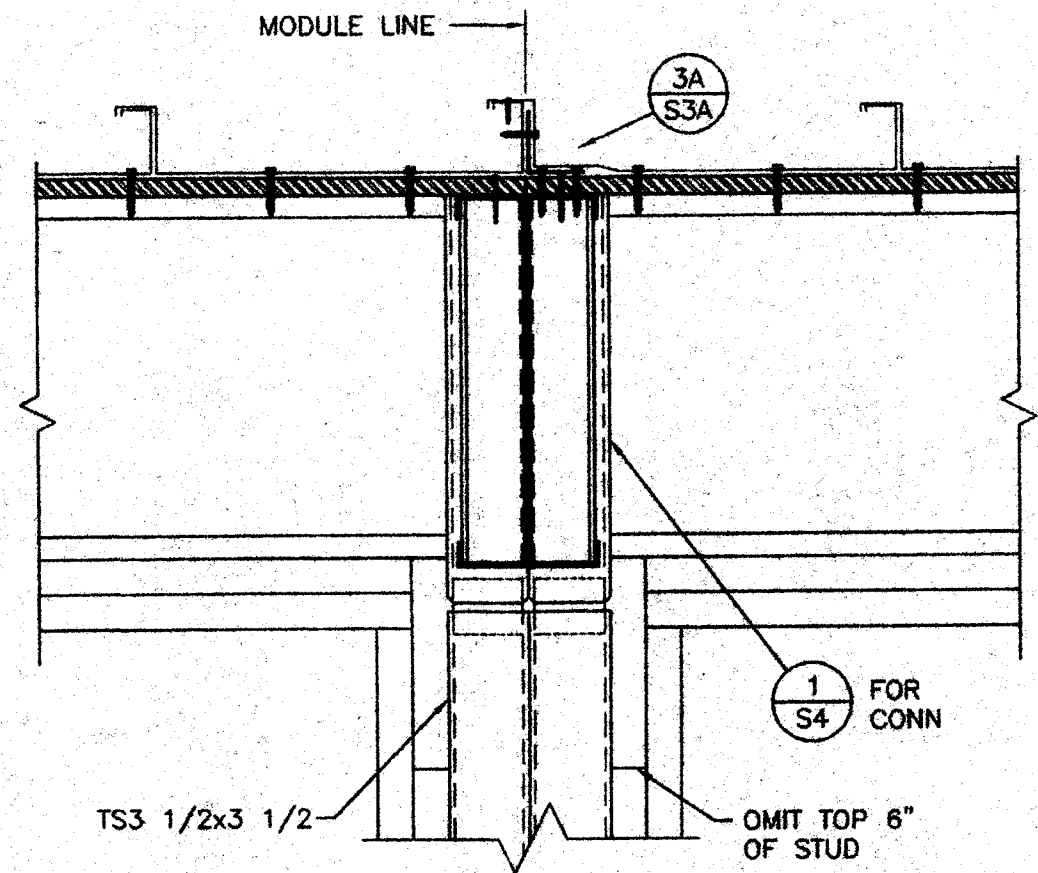
8
S3A
NO SCALE



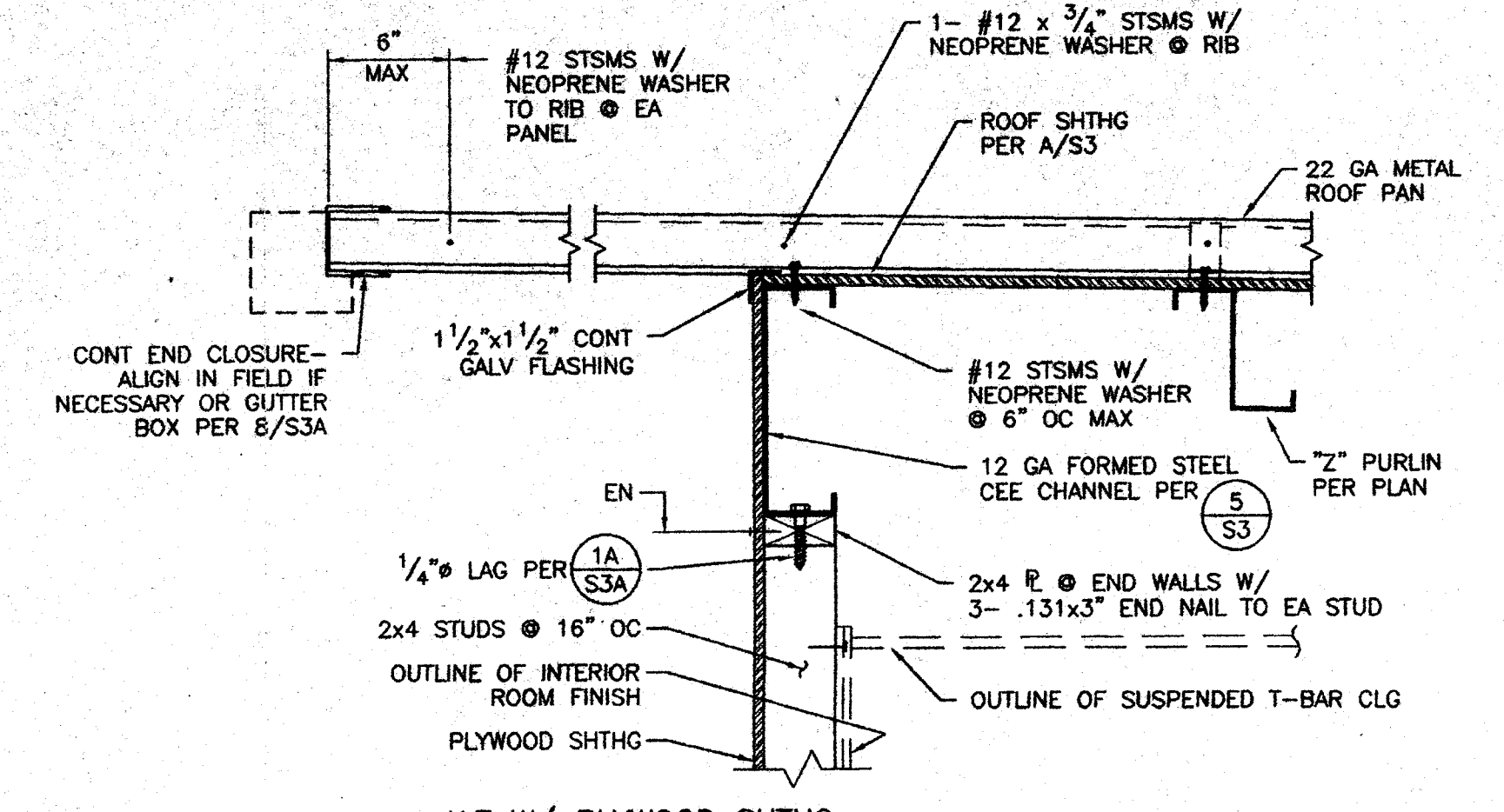
3A
S3A
1 1/2" = 1'-0"



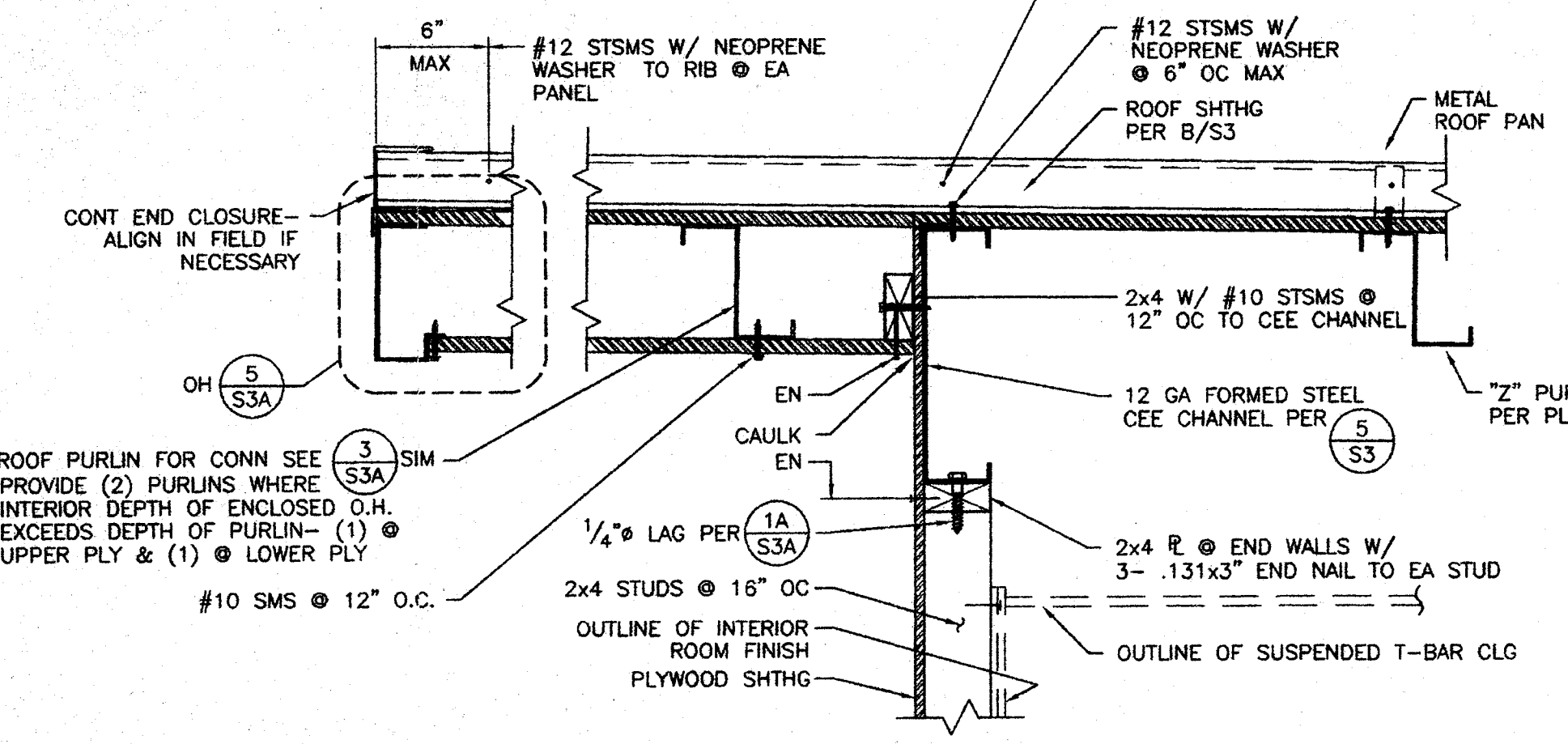
4
S3A
1 1/2" = 1'-0"



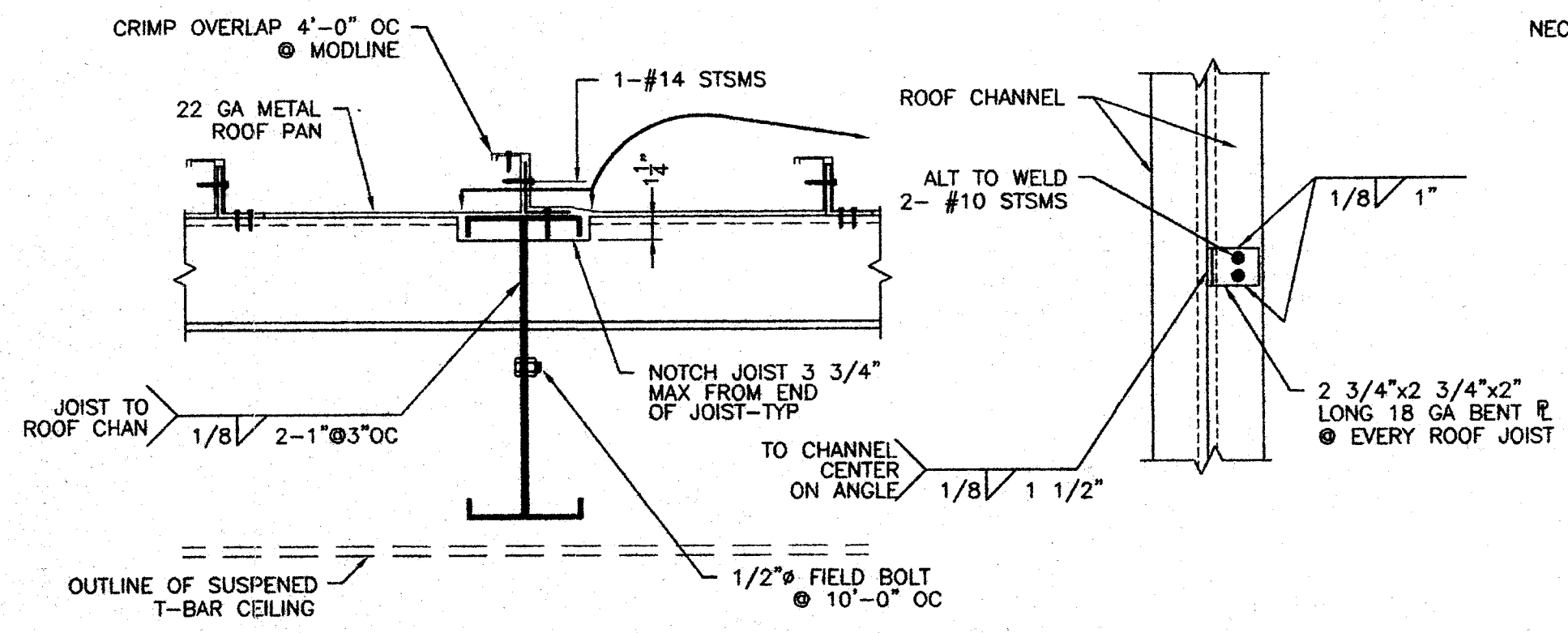
4A
S3A
1 1/2" = 1'-0"



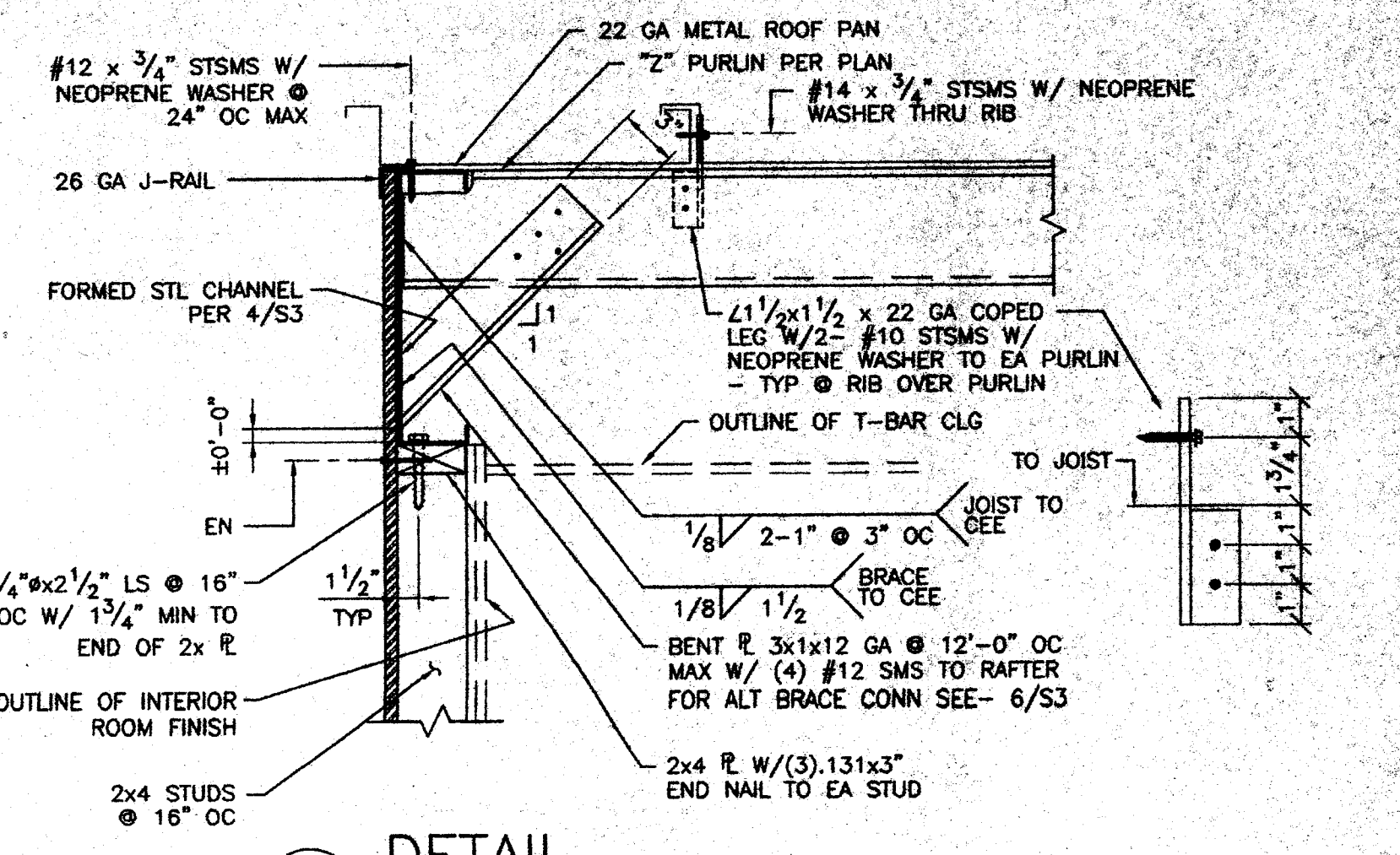
2A
S3A
1 1/2" = 1'-0"



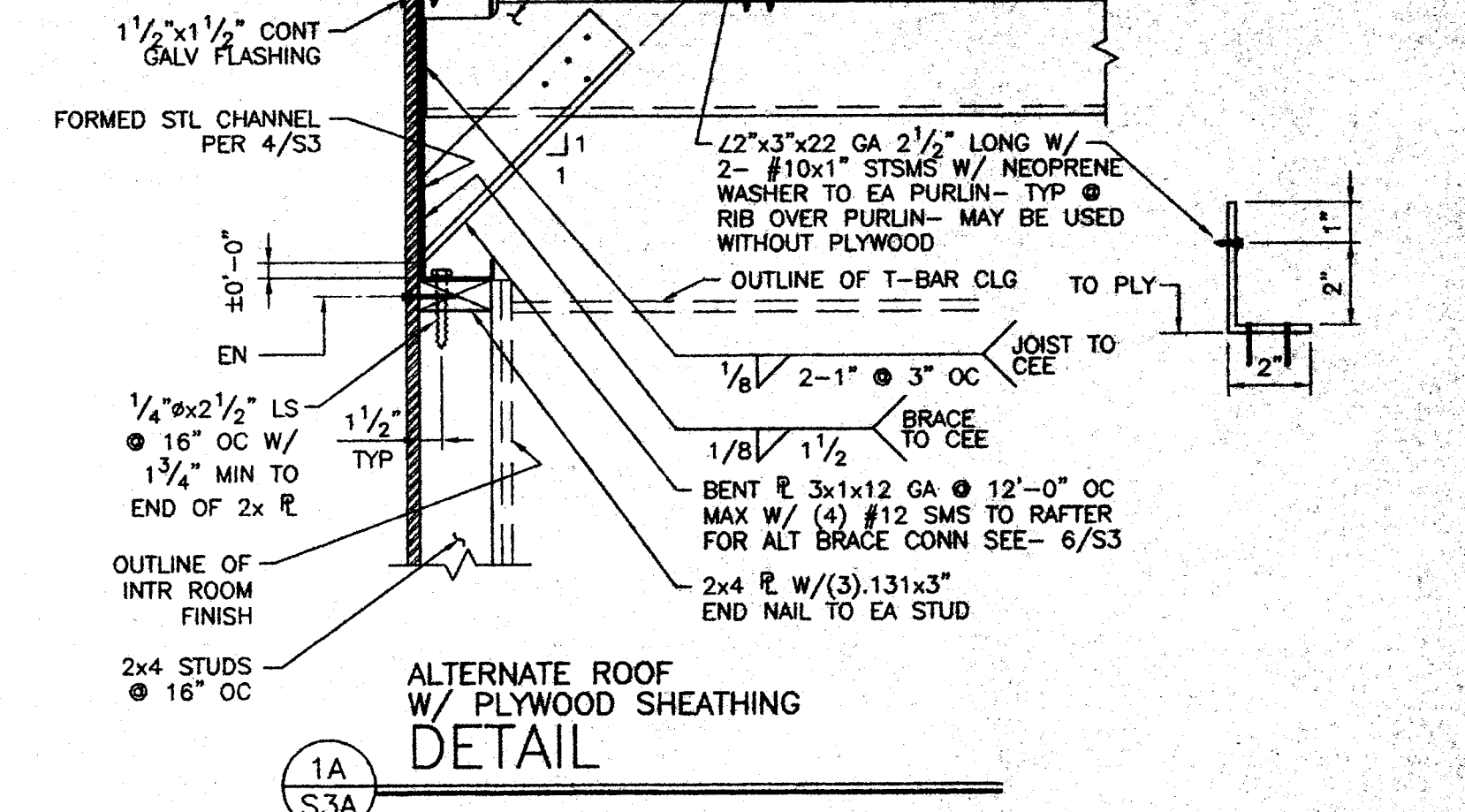
2B
S3A
1 1/2" = 1'-0"



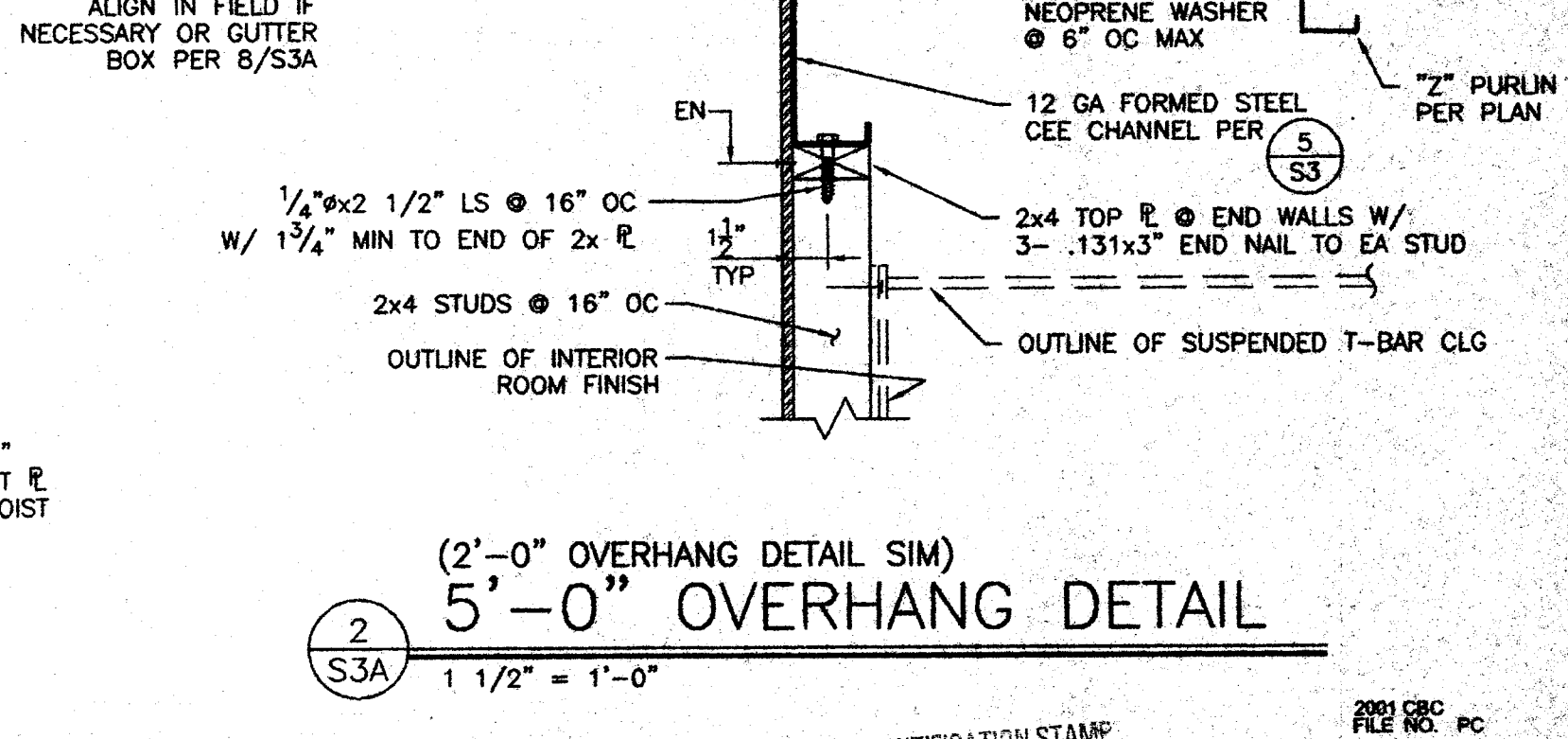
3
S3A
1 1/2" = 1'-0"



1
S3A
1 1/2" = 1'-0"



1A
S3A
1 1/2" = 1'-0"



2
S3A
1 1/2" = 1'-0"

IDENTIFICATION STAMP
DIV. OF THE STATE ARCHITECT
APPROX 107512
AC: FLG S3A
DATE: JUL 22 2002

24 x 40
RELOCATABLE
CLASSROOM

AMS
American Modular Systems Inc.
787 Sprackles Ave. Manteca, CA 95336
(209) 925-1921 Fax: (209) 925-7018
americanmodular.com

LICENSED ARCHITECT
No. C 12639
Plan. S-3-05
Kathleen A. Luttrell
No. 418
Exp. 3-31-05
Structural Engineer
STATE OF CALIFORNIA

CUSTOMER:
DATE: 5/30/03
SCALE: AS NOTED
DRAWN BY: REM
DESIGNED BY: MDB
CHECKED BY: KAL
SERIAL NO.

REVISIONS
NO DATE DESCRIPTION NO DATE DESCRIPTION

PROJECT No.
02156-01
SHEET No.
S3A