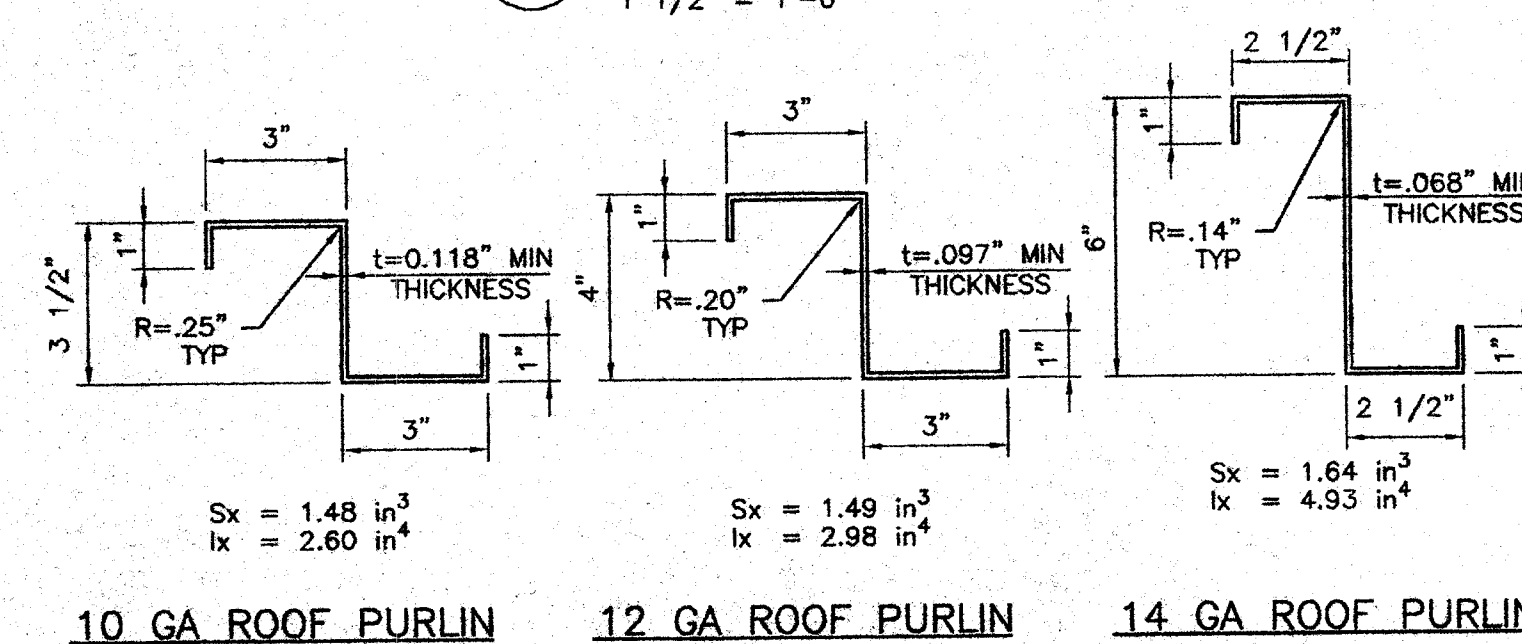
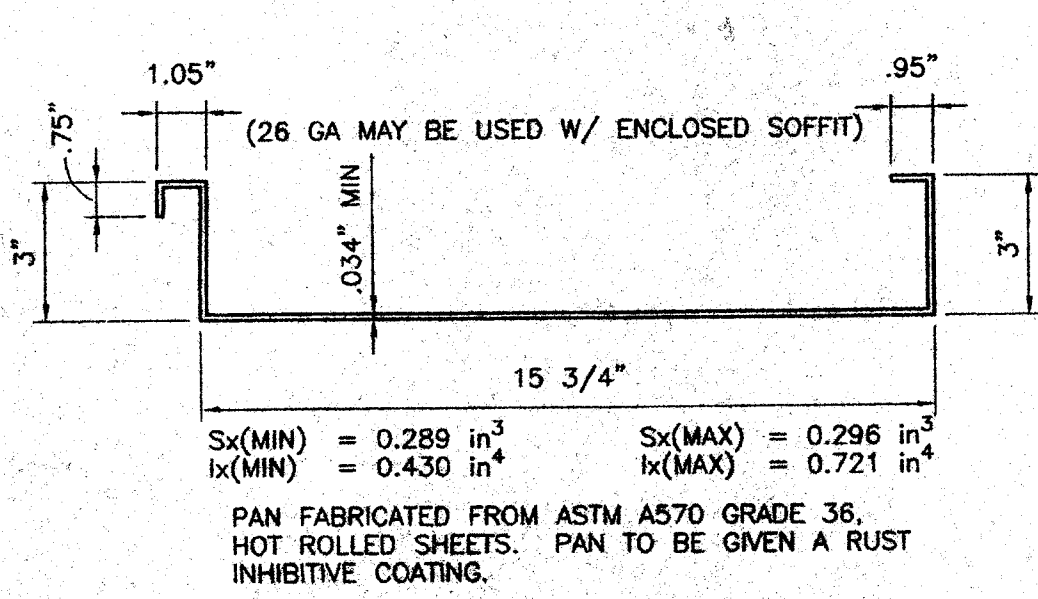


CROSS BRACING DETAIL
1
S3
1 1/2" = 1'-0"

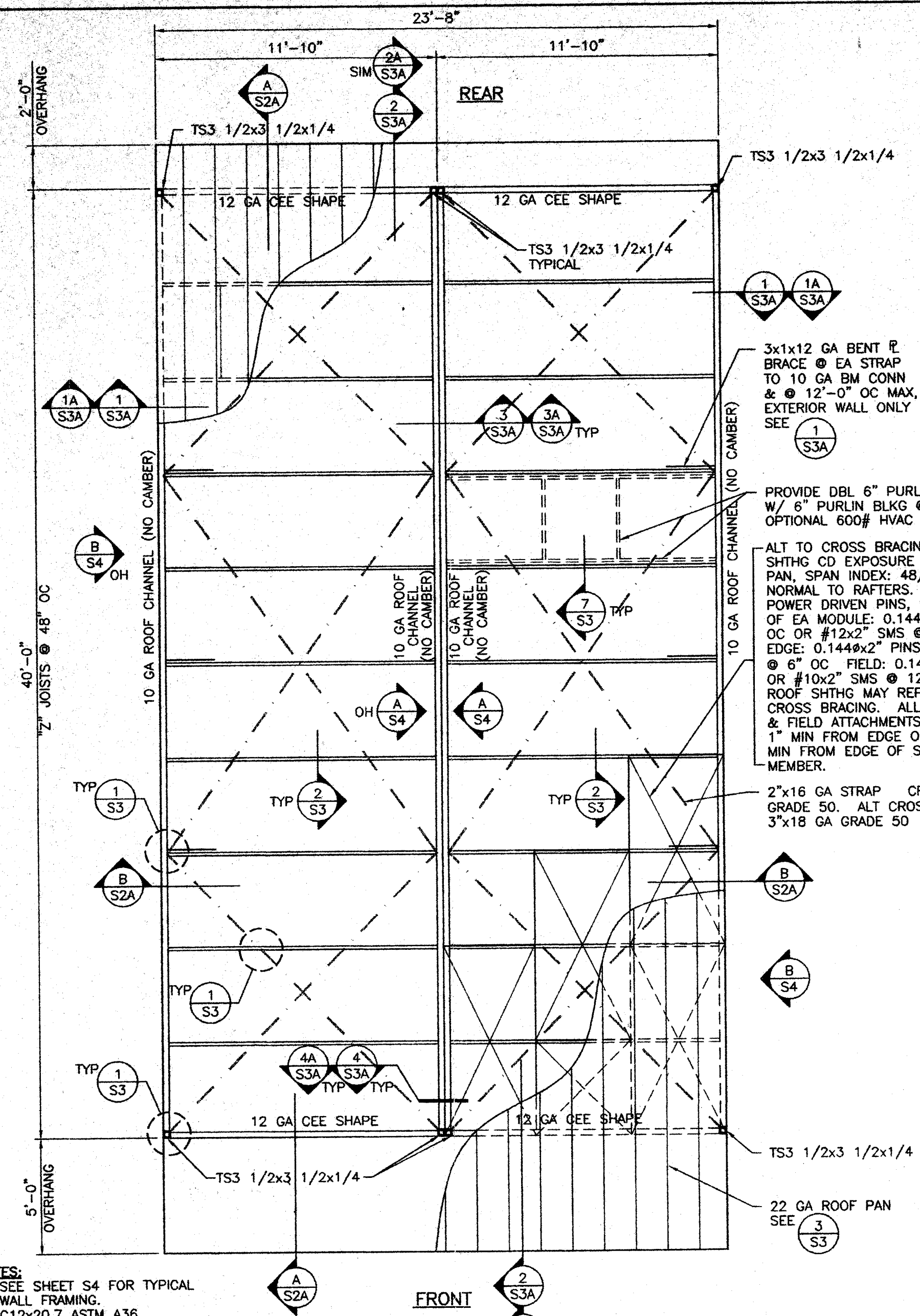


JOIST FABRICATED FROM ASTM A570 GRADE 36, HOT ROLLED SHEETS. JOISTS TO BE GIVEN A RUST INHIBITIVE COATING.

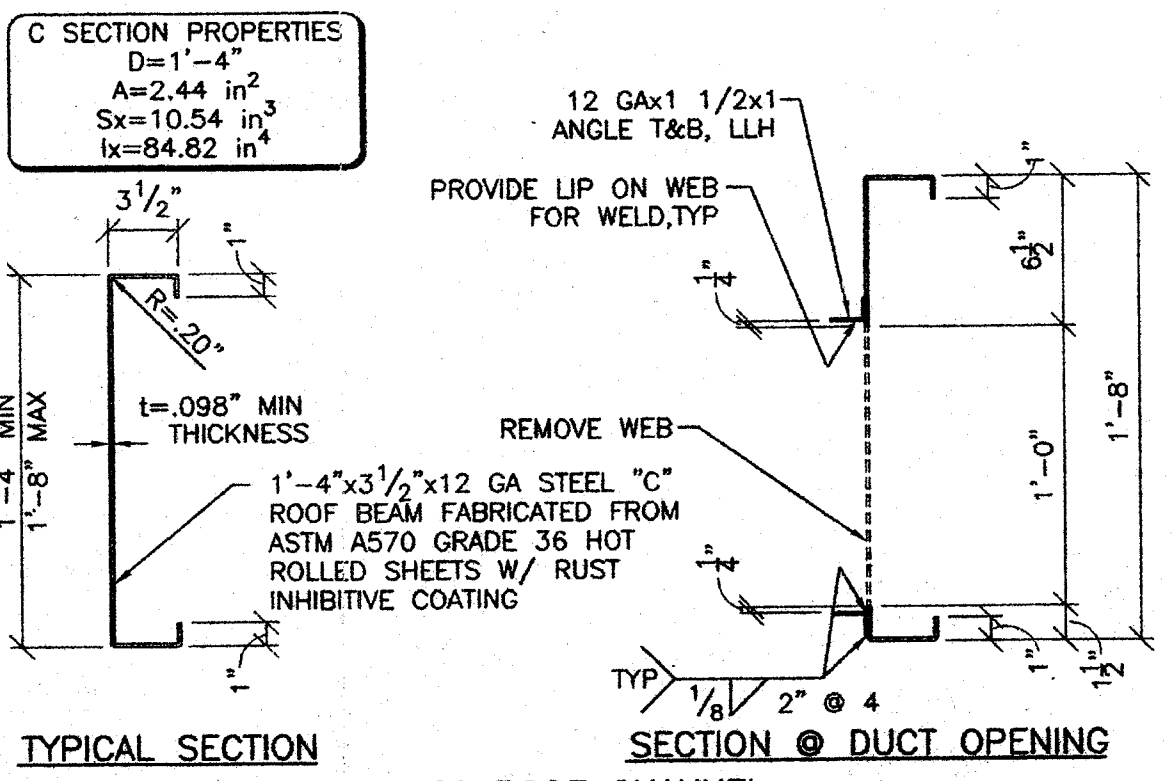
DETAIL
2
S3
3" = 1'-0"



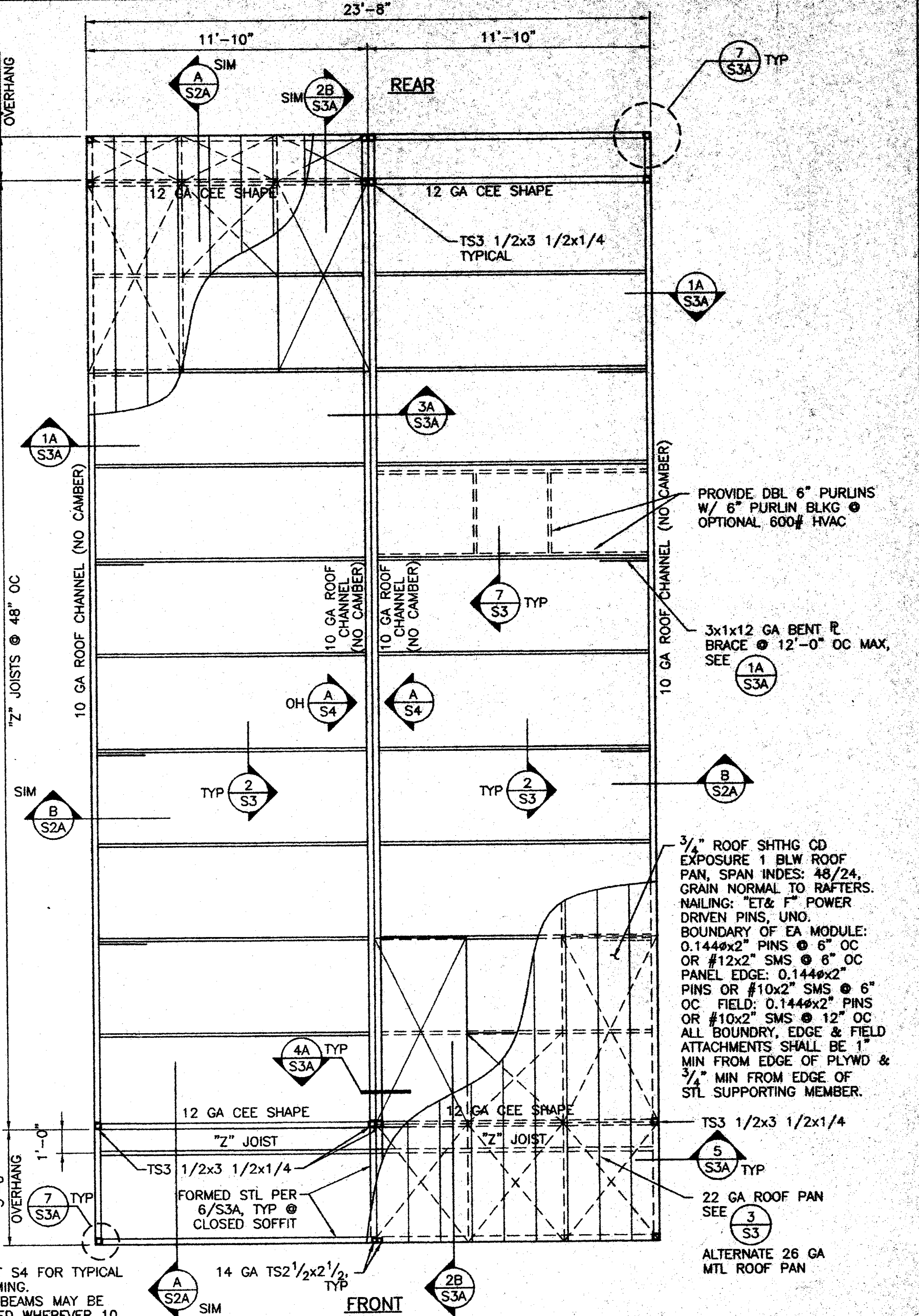
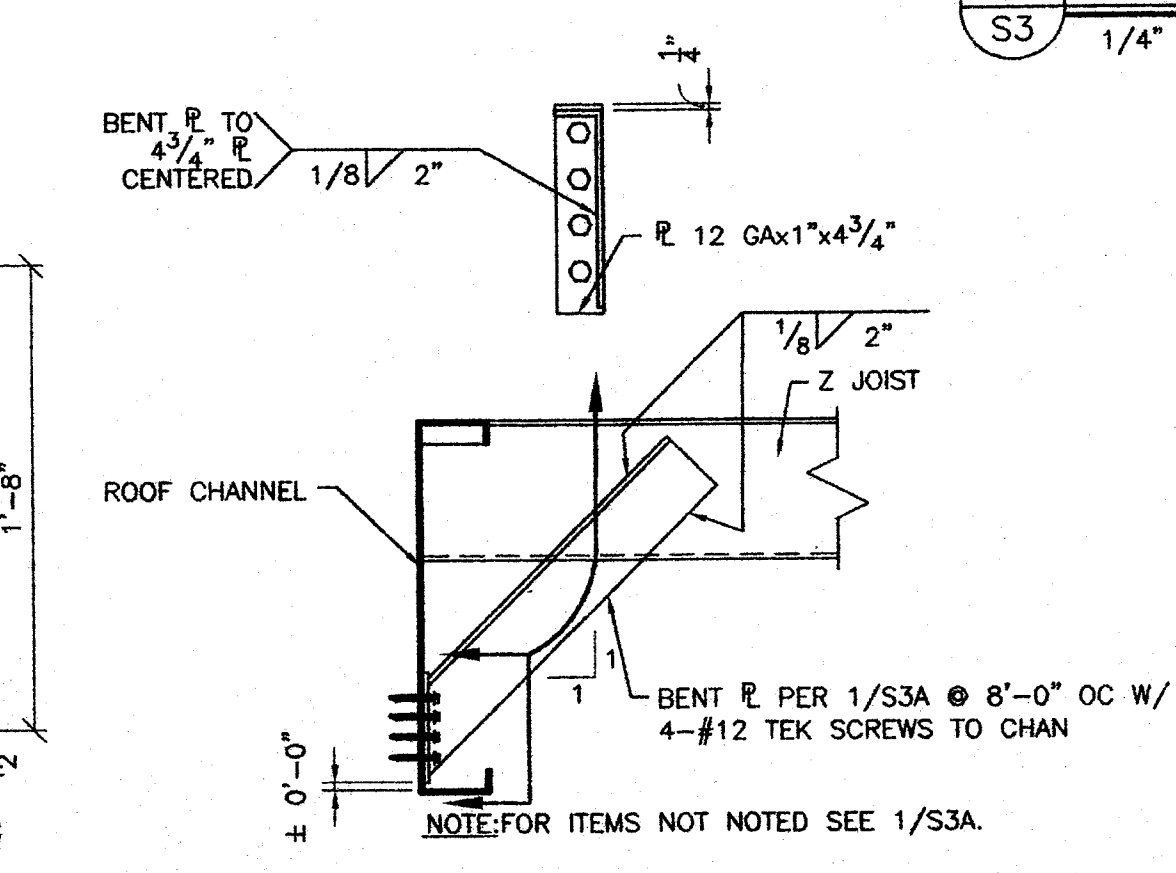
DETAIL
3
S3
3" = 1'-0"



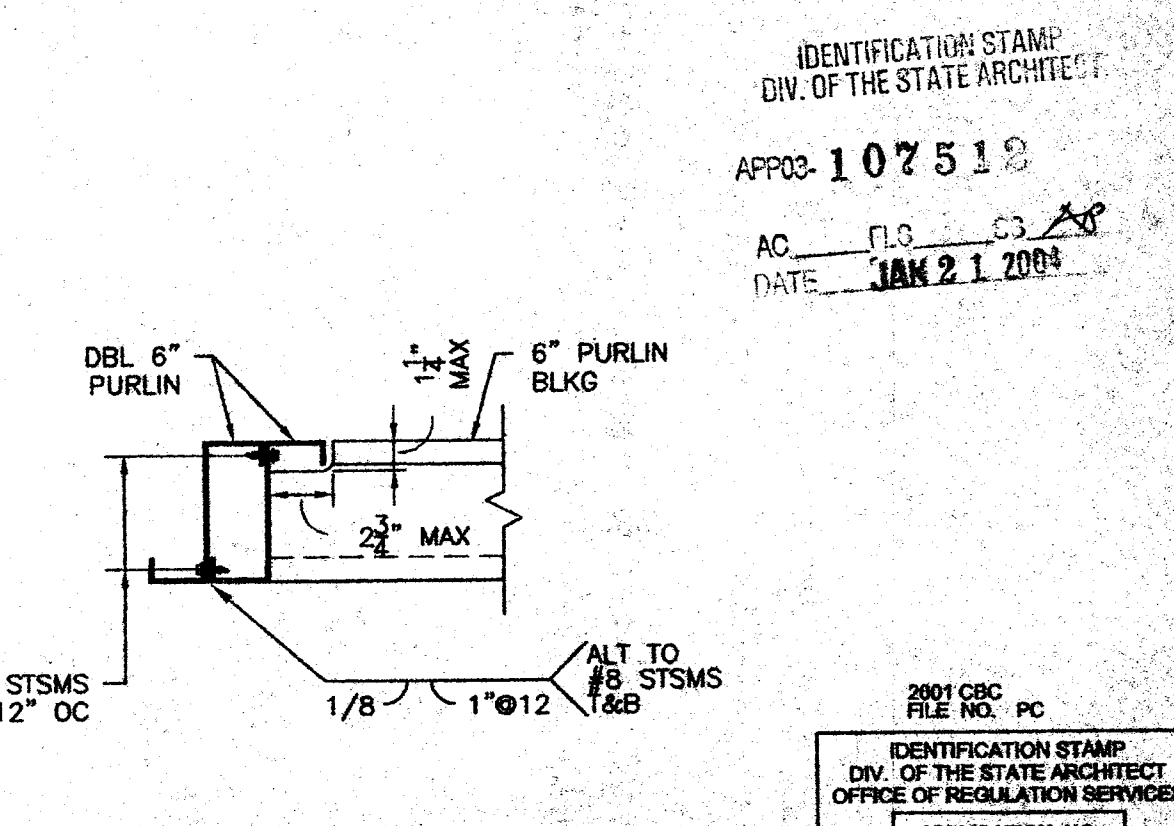
- NOTES:**
1. SEE SHEET S4 FOR TYPICAL WALL FRAMING.
2. C12x20.7 ASTM A36 BEAMS MAY BE SUBSTITUTED WHEREVER 10 GA ROOF CHANNELS ARE SHOWN ON ROOF PLAN.



DETAIL
4
S3
1 1/2" = 1'-0"



- NOTES:**
1. SEE SHEET S4 FOR TYPICAL WALL FRAMING.
2. C12x20.7 BEAMS MAY BE SUBSTITUTED WHEREVER 10 GA ROOF CHANNELS ARE SHOWN ON ROOF PLAN.



IDENTIFICATION STAMP
DIV. OF THE STATE ARCHITECT
APP03- 107518
AC. PLS. SS. 1/1
DATE: JAN 21 2003

2001 CBC FILE NO. PC
IDENTIFICATION STAMP
DIV. OF THE STATE ARCHITECT
OFFICE OF REGULATION SERVICES
APPLICATION NO. 02-04915
AC. PLS. SS. 1/1
DATE: JUL 29 2002

24 x 40
RELOCATABLE
CLASSROOM

AMS
American Modular Systems Inc.
787 Spradelle Ave. Manteca, CA 95336
(209)825-1921 Fax (209)825-7018
americanmodular.com

Professional Engineer
Kenneth A. Lillard
No. C 12831
Exp. 8/31/05
Structural Engineer
STATE OF CALIFORNIA

CUSTOMER: _____

ROOF FRAMING PLAN AND DETAILS

DATE: 5/30/03
SCALE: AS NOTED
DRAWN BY: REM
DESIGNED BY: MOB
CHECKED BY: KAL
SERIAL NO. _____

| REVISIONS | | | | | |
|-----------|------|-------------|----|------|-------------|
| NO | DATE | DESCRIPTION | NO | DATE | DESCRIPTION |
| | | | | | |
| | | | | | |
| | | | | | |

PROJECT No.
02156-01

SHEET No.
S3