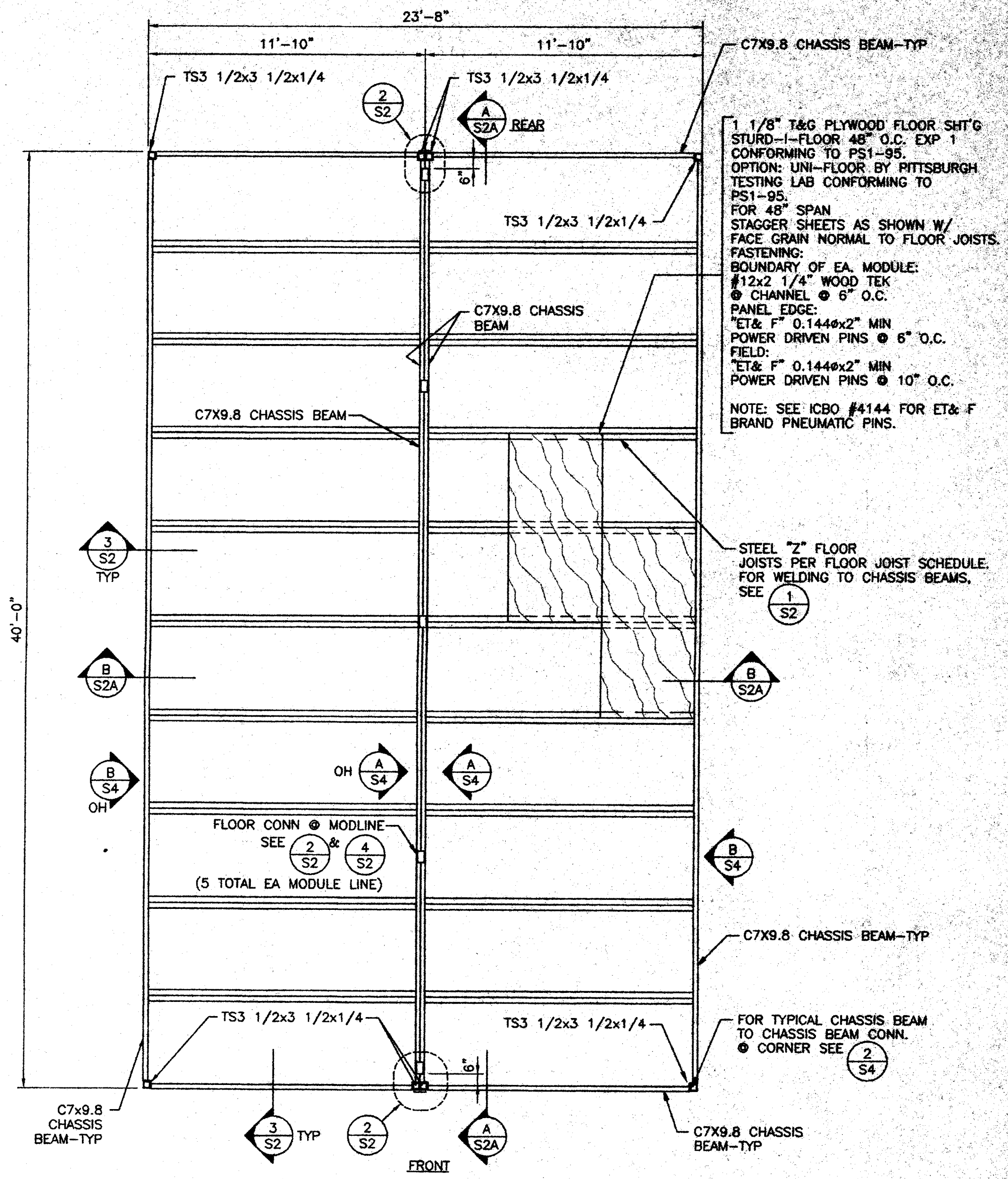
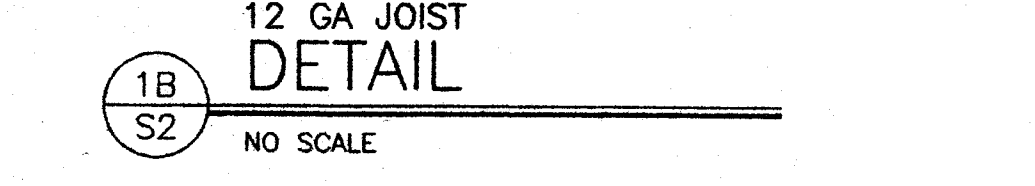
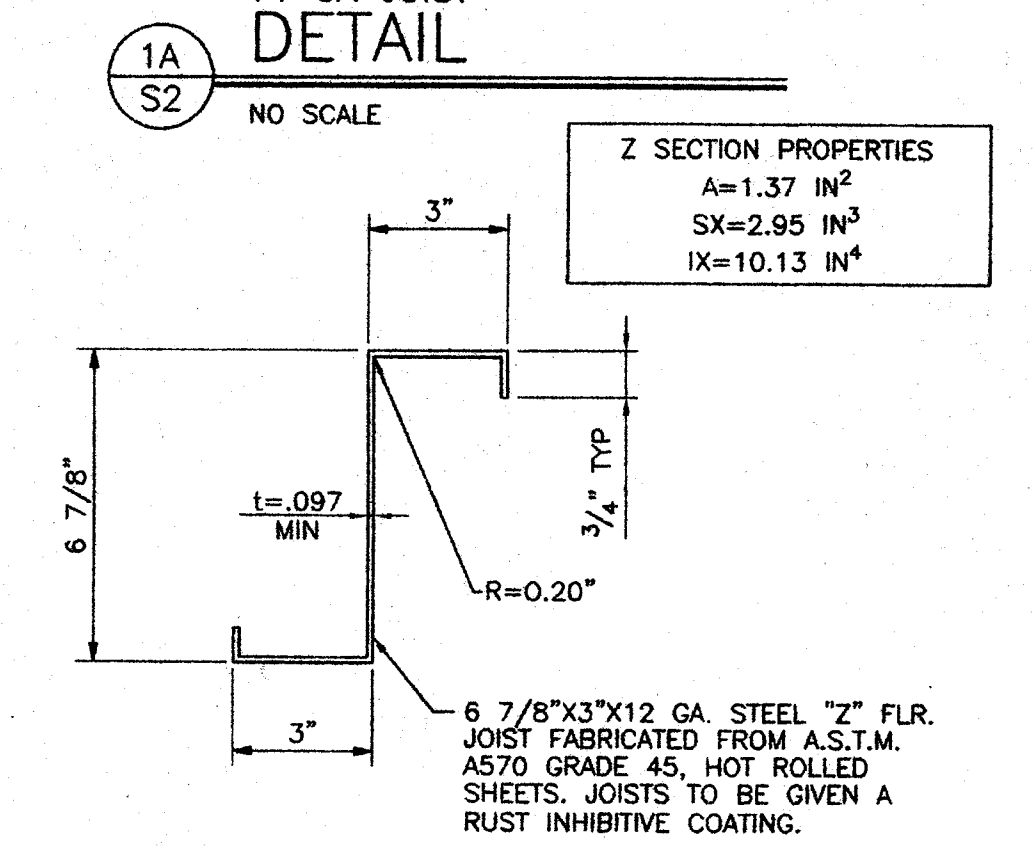
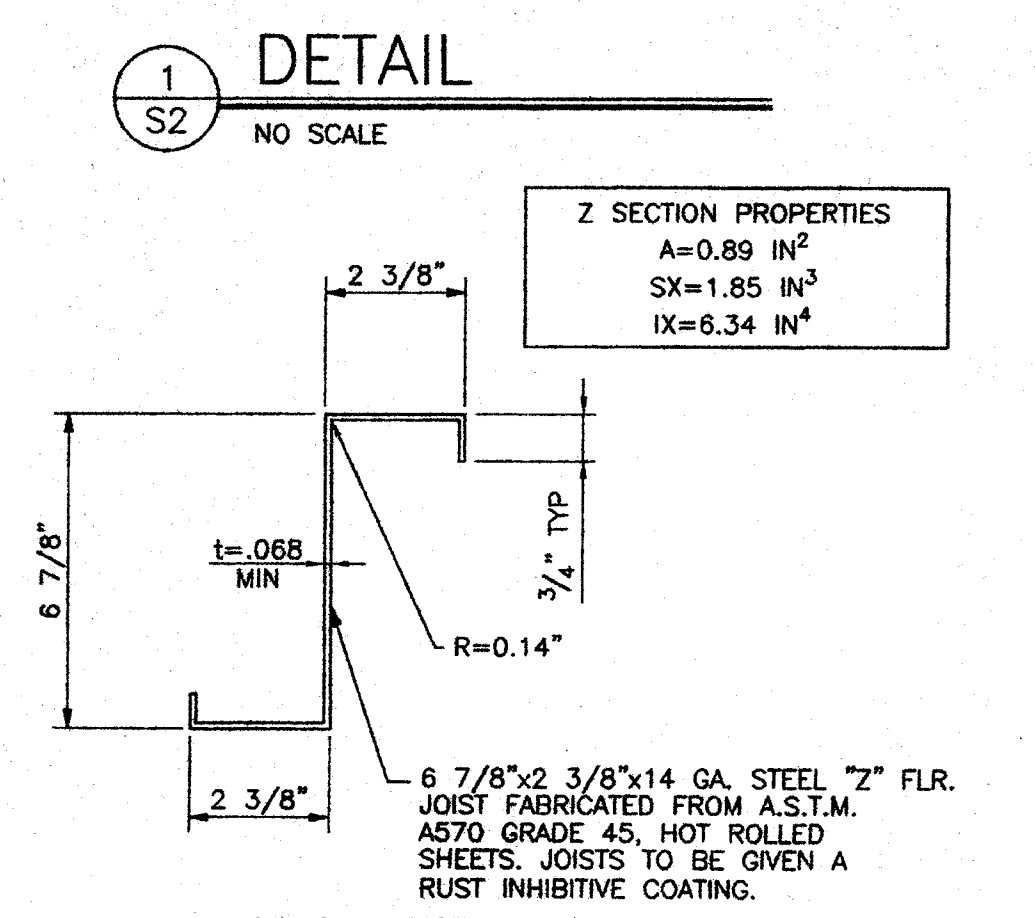
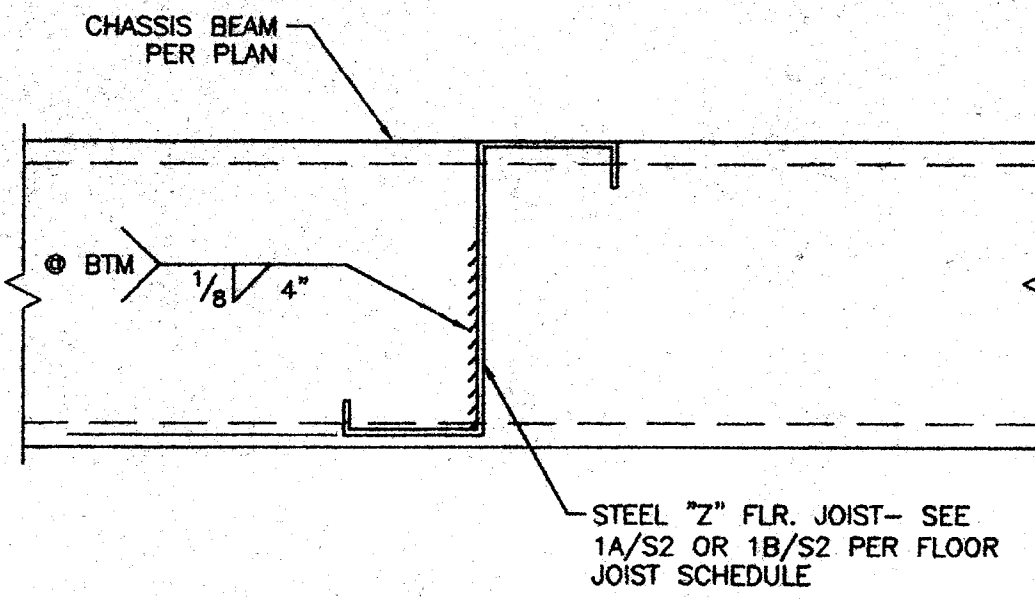
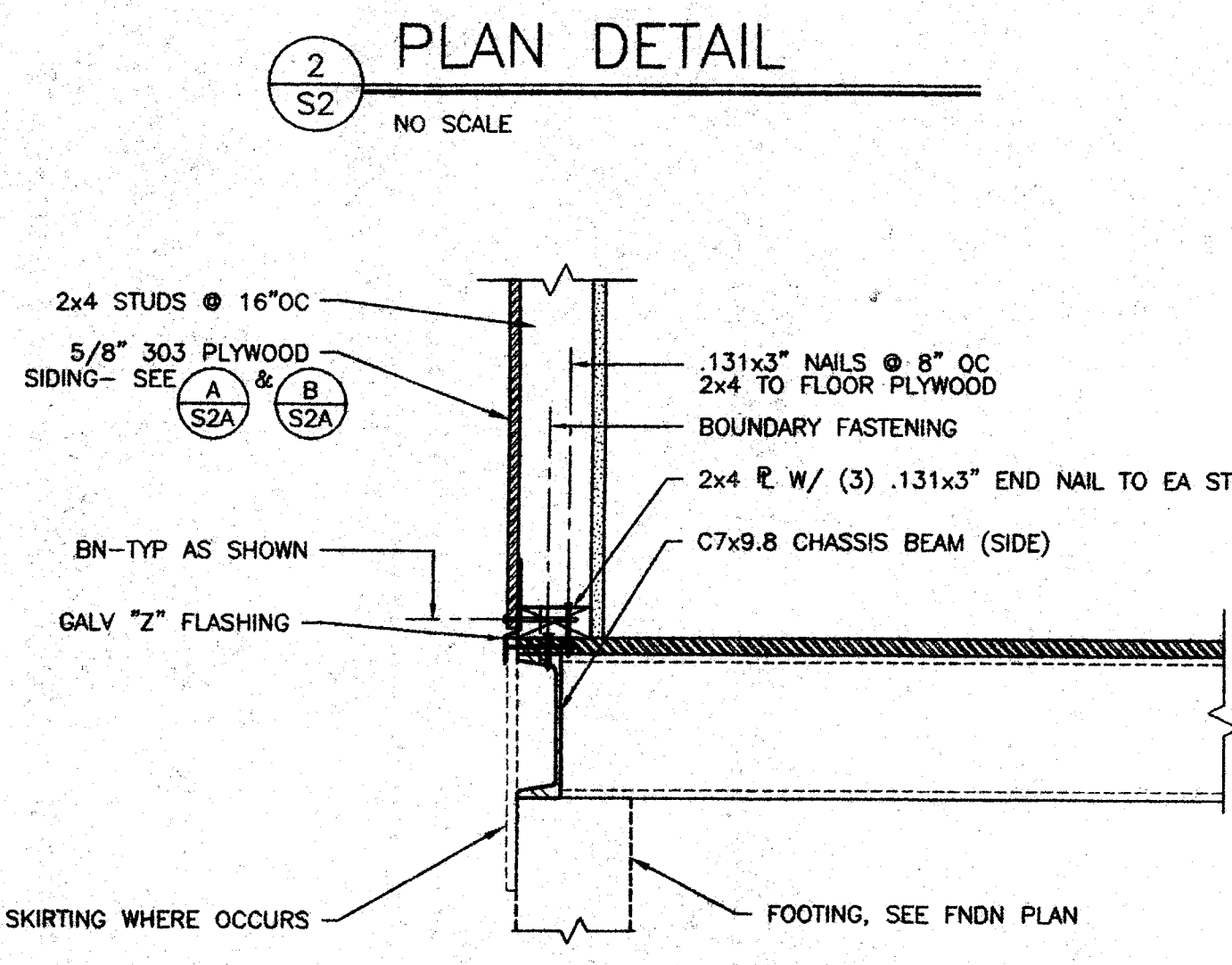
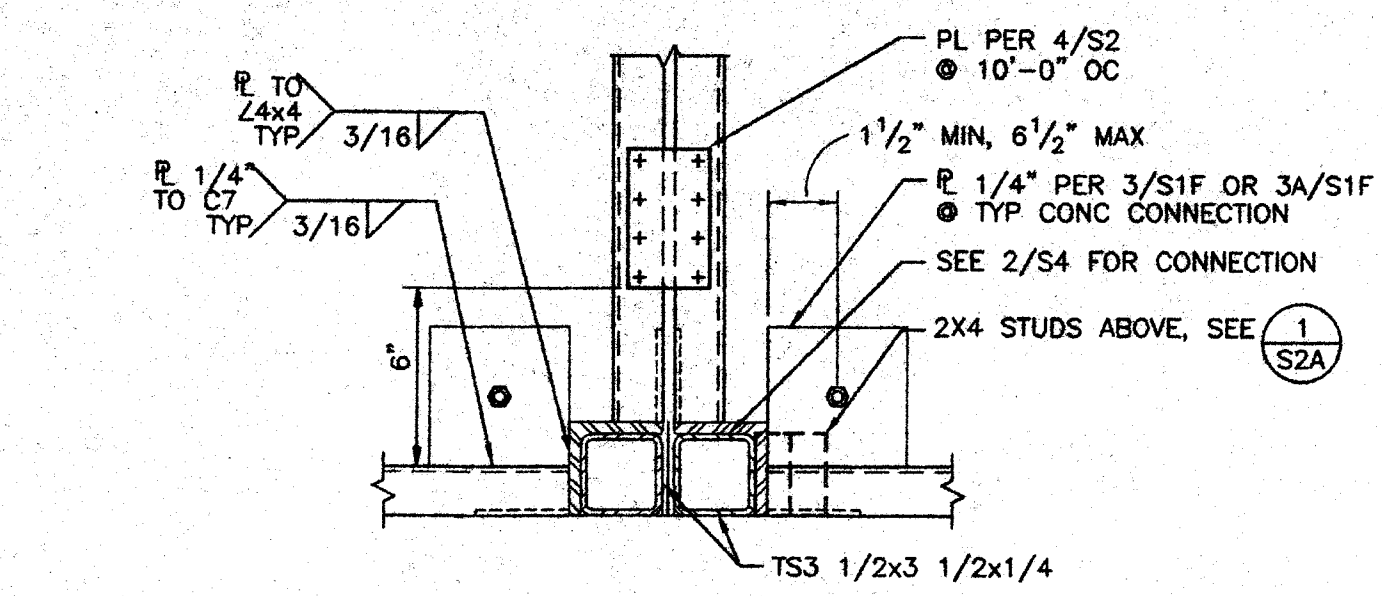
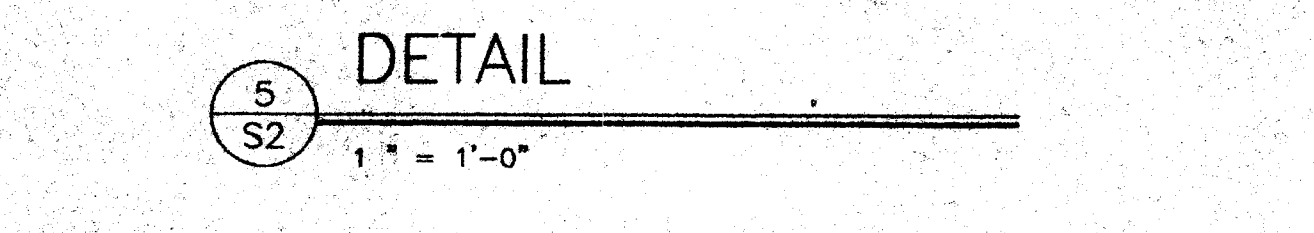
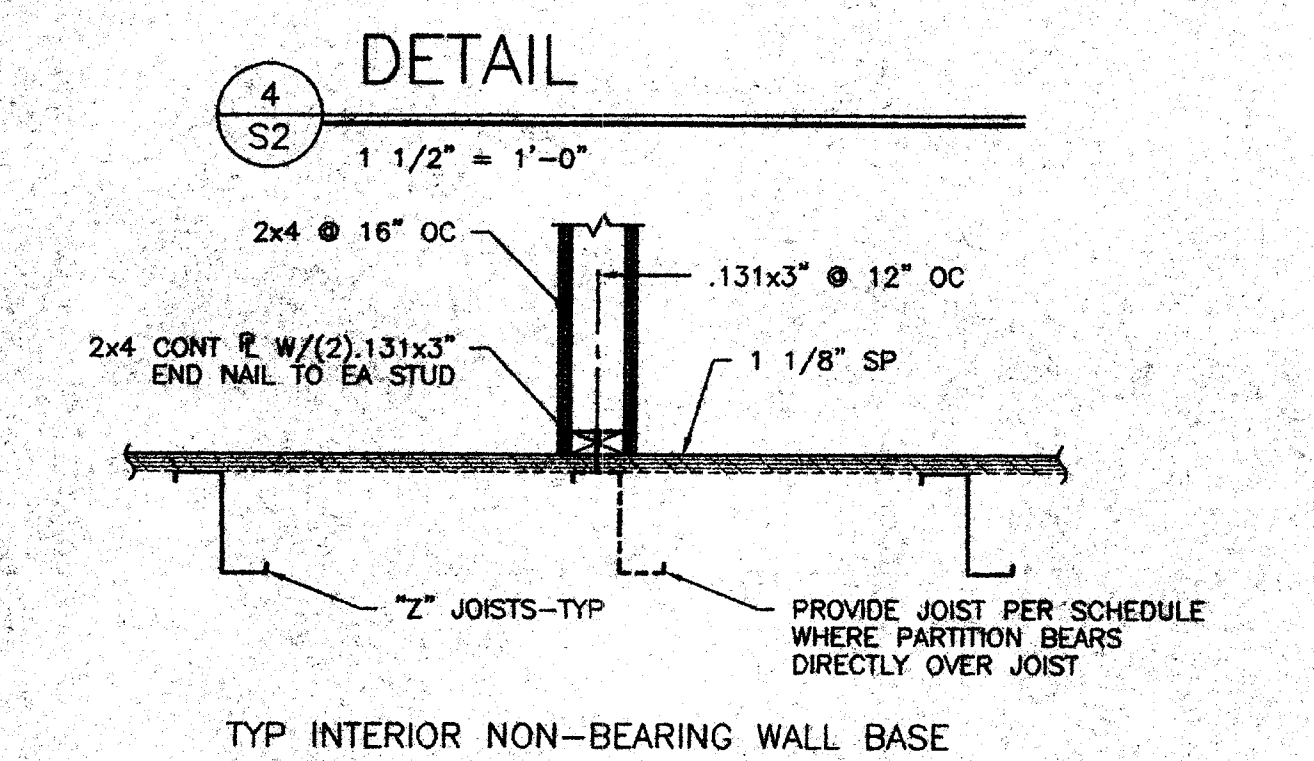
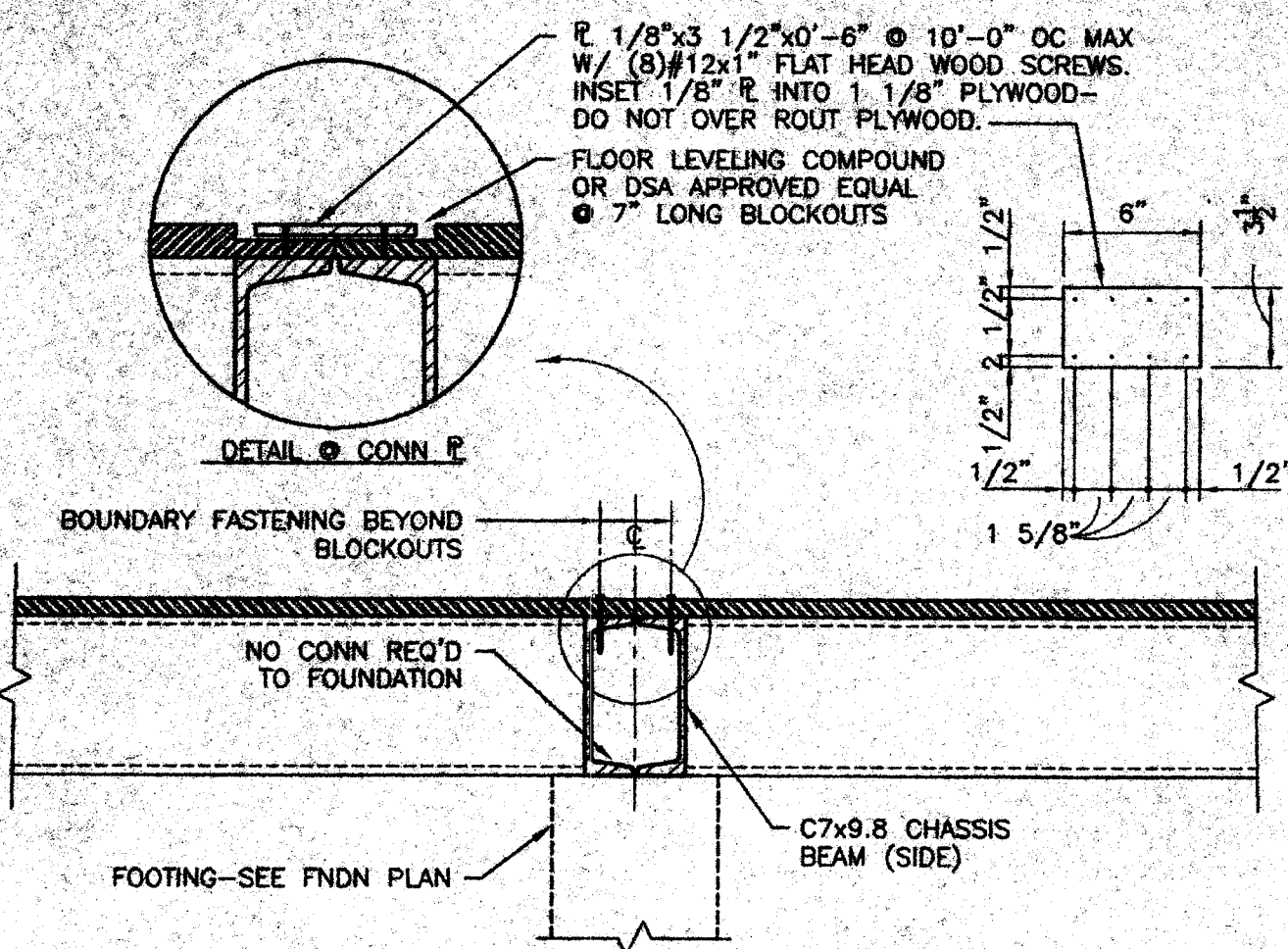


P:\02156\01\24\03\STRU\S2.dwg Time: Jun 03, 2003 - 09:43am LogIn: lbw@encal DimScale: 48 LTScale: 24



NOTES:  
 1. SEE SHEET S4 FOR TYPICAL WALL FRAMING.

FLOOR JOIST SCHEDULE

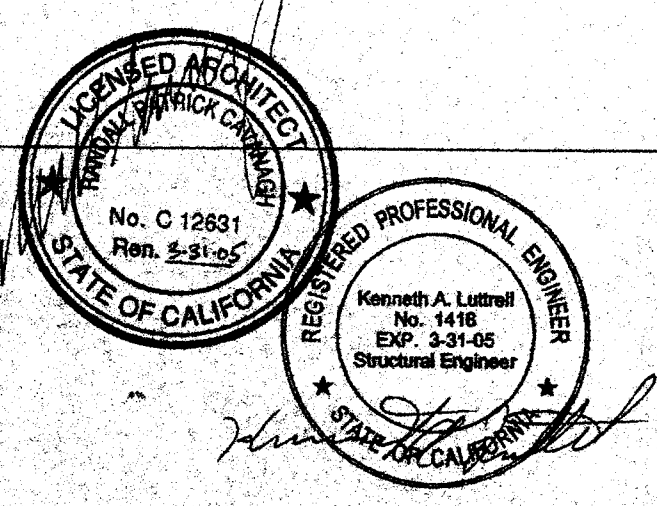
LIVE LOAD	SPACING	
	14 GA JOIST	12 GA JOIST
50 PSF	48" OC	48" OC
50+20 PSF	24" OC	48" OC
100 PSF	24" OC	24" OC
125 PSF	-	24" OC

NOTES:  
 1. FOR JOISTS SEE 1A/S2 AND 1B/S2.  
 2. SPACING IS TO CENTER LINE OF TOP FLANGE.  
 3. PROVIDE 12 GA JOIST WHERE PARTITION BEARS DIRECTLY OVER JOIST.

IDENTIFICATION STAMP  
 DIV. OF THE STATE ARCHITECT  
 APPROX 107510  
 AC: FLS 03  
 DATE: JAN 21 2003

IDENTIFICATION STAMP  
 FILE NO: PC  
 DIV. OF THE STATE ARCHITECT  
 OFFICE OF REGULATION SERVICES  
 APPLICATION NO: 02-104915  
 AC: FLS 03  
 DATE: JUN 22 2003

24 x 40  
 RELOCATABLE  
 CLASSROOM



CUSTOMER: \_\_\_\_\_

FLOOR FRAMING PLAN  
 AND DETAILS

DATE: 5/30/03  
 SCALE: AS NOTED  
 DRAWN BY: REM  
 DESIGNED BY: MDB  
 CHECKED BY: KAL  
 SERIAL NO. \_\_\_\_\_

REVISIONS

NO	DATE	DESCRIPTION	NO	DATE	DESCRIPTION

PROJECT No.  
 02156-01  
 SHEET No.  
 S2