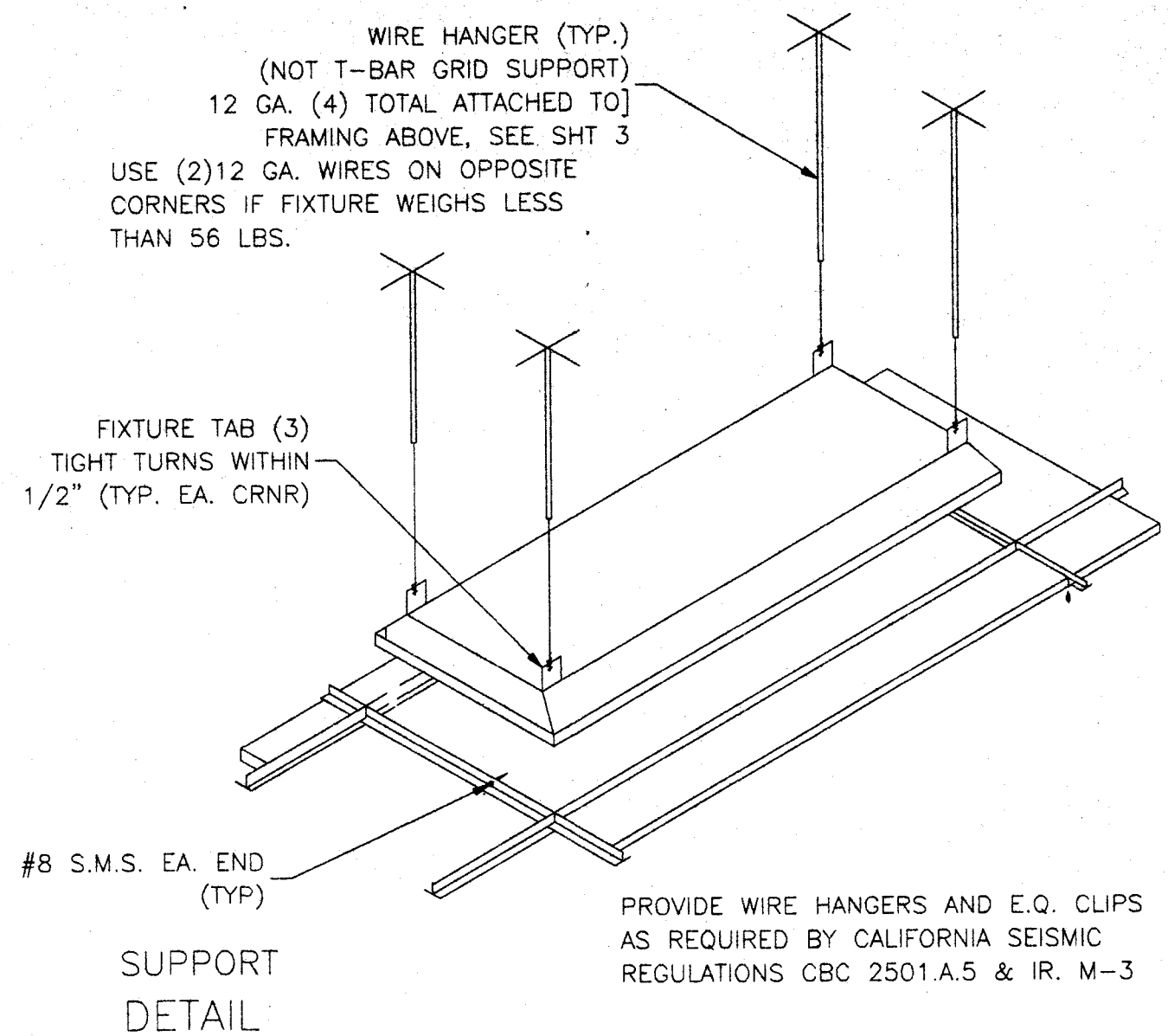


STANDARD ELECTRICAL SYMBOLS

- FLUORESCENT LIGHTING FIXTURE - SURFACE MOUNTED.
- FLUORESCENT LIGHTING FIXTURE - RECESSED.
- FLUORESCENT LIGHTING FIXTURE - WALL MOUNTED (EXTERIOR)
- INCANDESCENT LIGHTING FIXTURE - WALL MOUNTED (INTERIOR).
- DUPLEX WALL CONVENIENCE OUTLETS +18".
- SINGLE POLE LIGHT SWITCHES +48", HUBBELL PREMIUM, BRYANT HEAVY DUTY, OR LEVITON SPECIFICATIONS GRADE.
- ELECTRICAL CROSSOVER J-BOXES ABOVE T-BAR CEILING #1-4"x1", #22 4"x2"
- WALL CLOCK OUTLET WITH POWER OUTLET +84".
- SWITCH SUBSCRIPTS - a=DEVICE CONTROLLED.
- 15 AMP DUPLEX RECEPTACLE +18".
- JUNCTION BOX - SIZE AND TYPE AS REQUIRED.
- PANELBOARD - SEE SCHEDULE.
- TERMINAL CABINET - SIZE AND TYPE AS NOTED.
- CONDUIT CONCEALED IN CEILING OR WALL.
- CONDUIT CONCEALED BELOW FLOOR OR GRADE.
- HOMERUN TO RESPECTIVE PANEL TO TERMINAL.
- INDICATES #14 (GREEN) GROUND WIRE, OTHER SIZES AS INDICATED.
- BRANCH CIRCUIT WITHOUT FURTHER DESIGNATION IS A 2#14 WIRE CIRCUIT, FOR MORE THAN 2#14 WIRES AS FOLLOWS, ---3#14, ---4#14 ETC. FOR OTHER SIZES AS FOLLOWS, ---3#10, ---4#6 ETC.

- NOTE
- FIXTURE IDENTIFICATION - LETTER INDICATES TYPE. (DATA) INSTALL 2 GANG RING W 1" CONDUIT STUBBED ABOVE CEILING
 - N.I.E.S. ABBREV. FOR NOT IN ELECTRICAL SECTION OF THESE PLANS AND SPEC'S.
 - ABBREV. FOR EMPTY CONDUIT WITH POLY PULL CORD.
 - FUSED DISCONNECT SWITCH SIZE AS REQUIRED. PROVIDE FUSES AS RECOMMENDED BY EQUIPMENT SUPPLIER.

- [W.E.F.] WALL MOUNTED EXHAUST FAN N.I.E.S. CONNECT AS REQUIRED.
- 50 AMP 250 VOLT RANGE RECEPTACLE.
 - FIRE ALARM STATION - OUTLET ONLY, 4" SQ. BOX W/ SINGLE DEVICE RING AND COVER +48" CENTERLINE & 30" FROM DOOR
 - FIRE ALARM HORN - OUTLET ONLY - 4" SQ. BOX W/ SINGLE DEVICE RING AND COVER +90" MIN. AND NOT LESS THAN 6" BELOW FINISHED CEILING. BOX W/ SINGLE DEVICE RING AND COVER BOTTOM +80".
 - FIRE ALARM VISUAL ALARM - OUTLET ONLY - 4" SQ. A.F.F. BUT NO GREATER THAN +96". IF CEILING MOUNTED PER NFPA72 TABLE 6-4.4.1(b).
 - SPEAKER - OUTLET ONLY - 4" SQ. BOX W/ SINGLE DEVICE RING AND COVER +84"
 - J-BOX ONLY (INTERCOM) 3/4" CONDUIT STUBBED ABOVE CEILING. INSTALL 30" FROM DOOR @ +48"
 - FIRE ALARM MINI HORN - OUTLET ONLY - 4" SQ. BOX W/ SINGLE DEVICE RING AND COVER @ +80"



SYMBOL	DESCRIPTION	WATTS	MANUFACTURER
	2"x4" FLOURESCENT DROP IN FIXTURE, ACRYLIC PRISMATIC LENS. ENERGY SAVING BALLAST. (4)35 WATT TUBES, WT. 27 LBS.	156 W	CRESCENT 24TF44ODLA
	FLOURESCENT SURFACE MOUNTED EXTERIOR LIGHT WITH IMPACT RESISTANT ENCLOSURE. .125 THICK CLEAR PRISMATIC ONE PIECE LENS W/ NEOPRENE GASKET & "POSIGRIP" STAINLESS STEEL SCREWS.	(2) 7W TT 2700 K	KENALL 3714 OR LITHONIA 202 2/7PL LP
	INCANDESCENT WALL MOUNTED	150W	PROGRESS P3011x30"

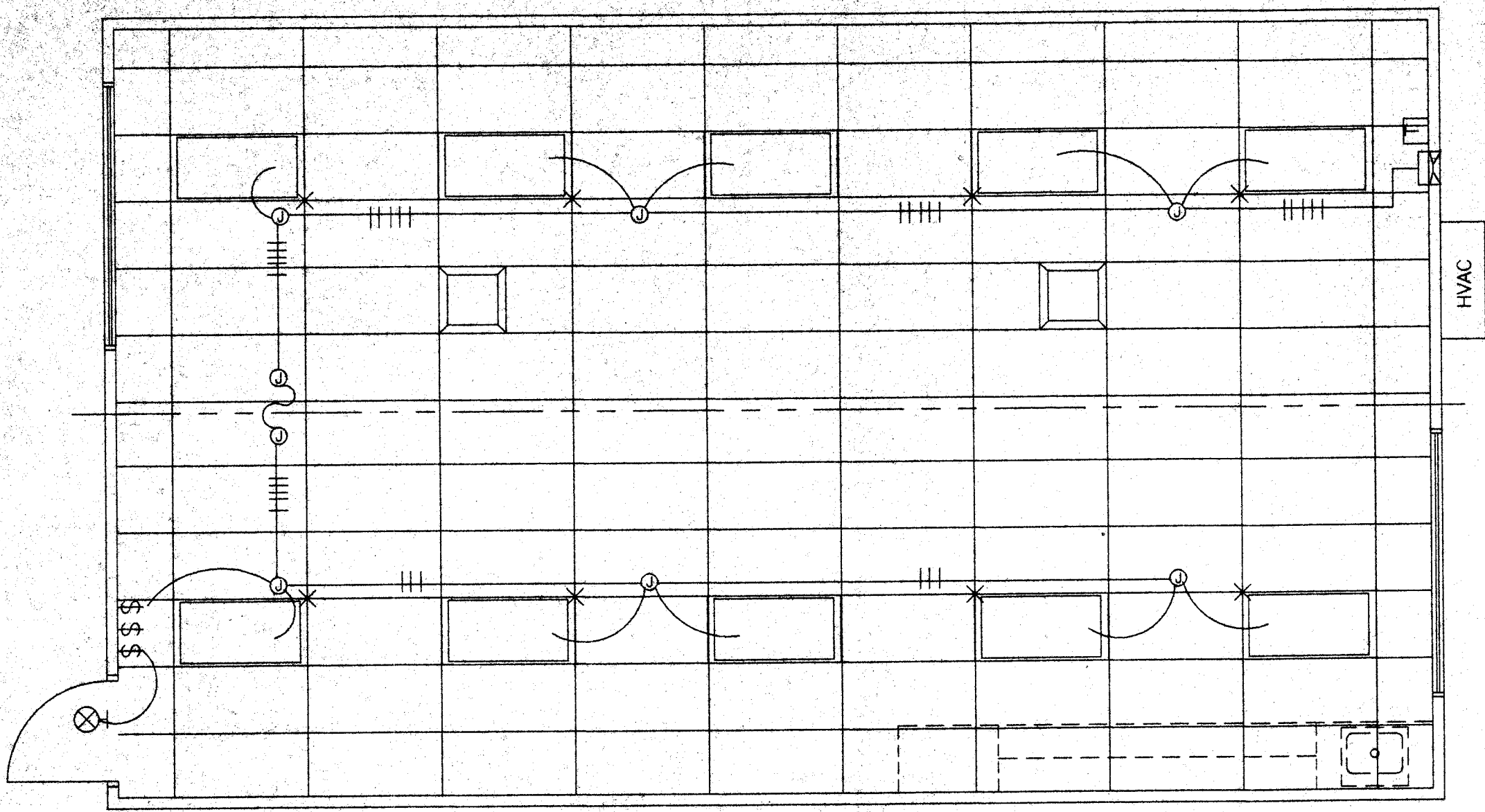
SEE TYPICAL CLASSROOM LAYOUT FOR LOCATIONS OF ALL DEVICES. FIXTURE MOUNTING SHALL COMPLY WITH CALIFORNIA SEISMIC REGULATIONS.

- FIRE ALARM SYSTEM
- THE FIRE ALARM SYSTEM SHALL CONFORM TO THE CALIFORNIA ELECTRICAL CODE, ARTICLE 760 & C.A. FIRE CODE ART. 10.
 - INSTALLATION OF THE FIRE ALARM SYSTEM SHALL NOT BE STARTED UNTIL DETAILED PLANS AND SPECIFICATIONS, INCLUDING CALIFORNIA STATE FIRE MARSHAL LISTING NUMBERS FOR EACH COMPONENT OF THE SYSTEM HAVE BEEN APPROVED BY THE DIVISION OF THE STATE ARCHITECT.
 - UPON COMPLETION OF THE INSTALLATION OF THE FIRE ALARM SYSTEM, A SATISFACTORY TEST OF THE ENTIRE SYSTEM SHALL BE MADE IN THE PRESENCE OF THE ENFORCING AGENCY.

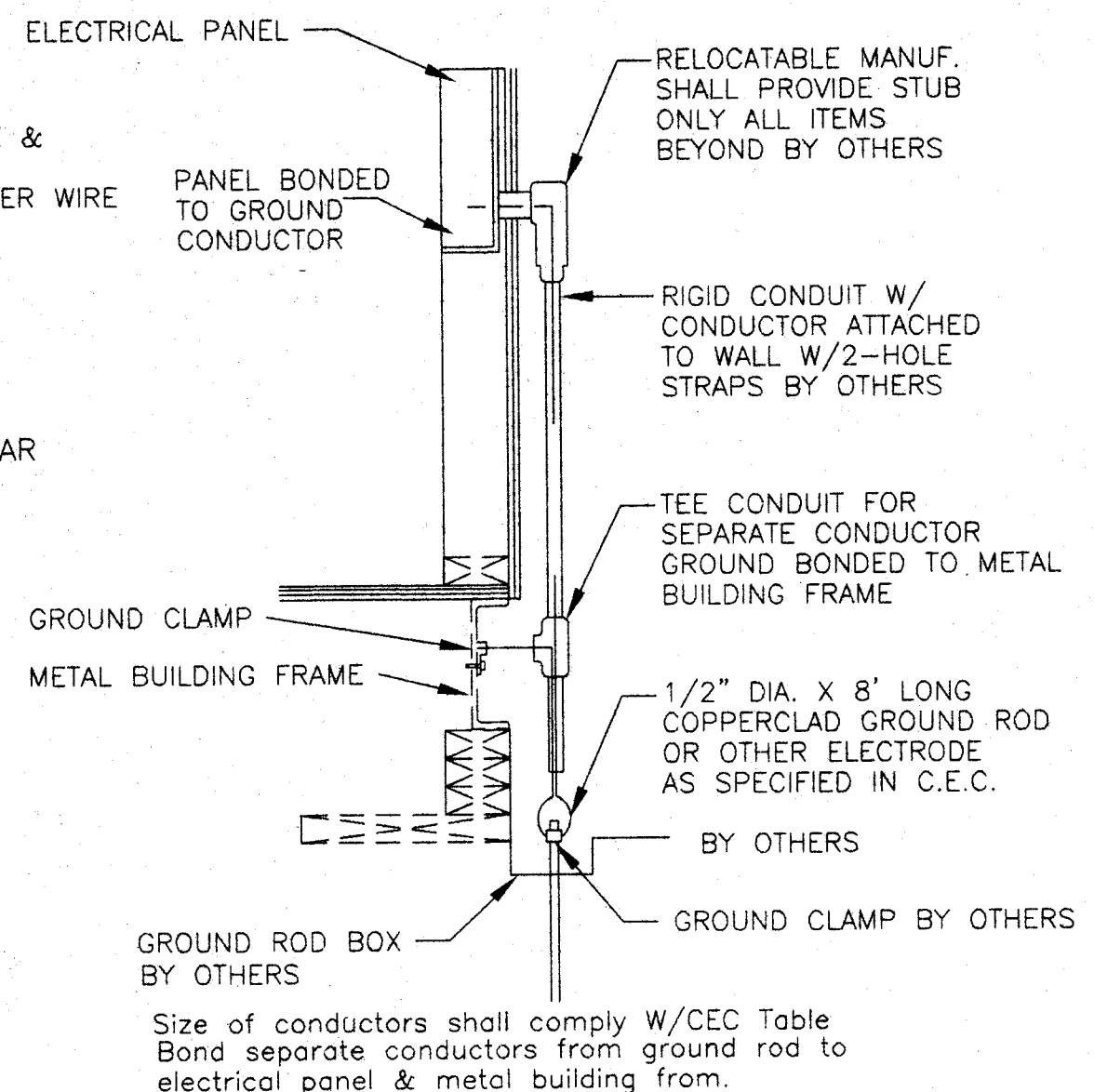
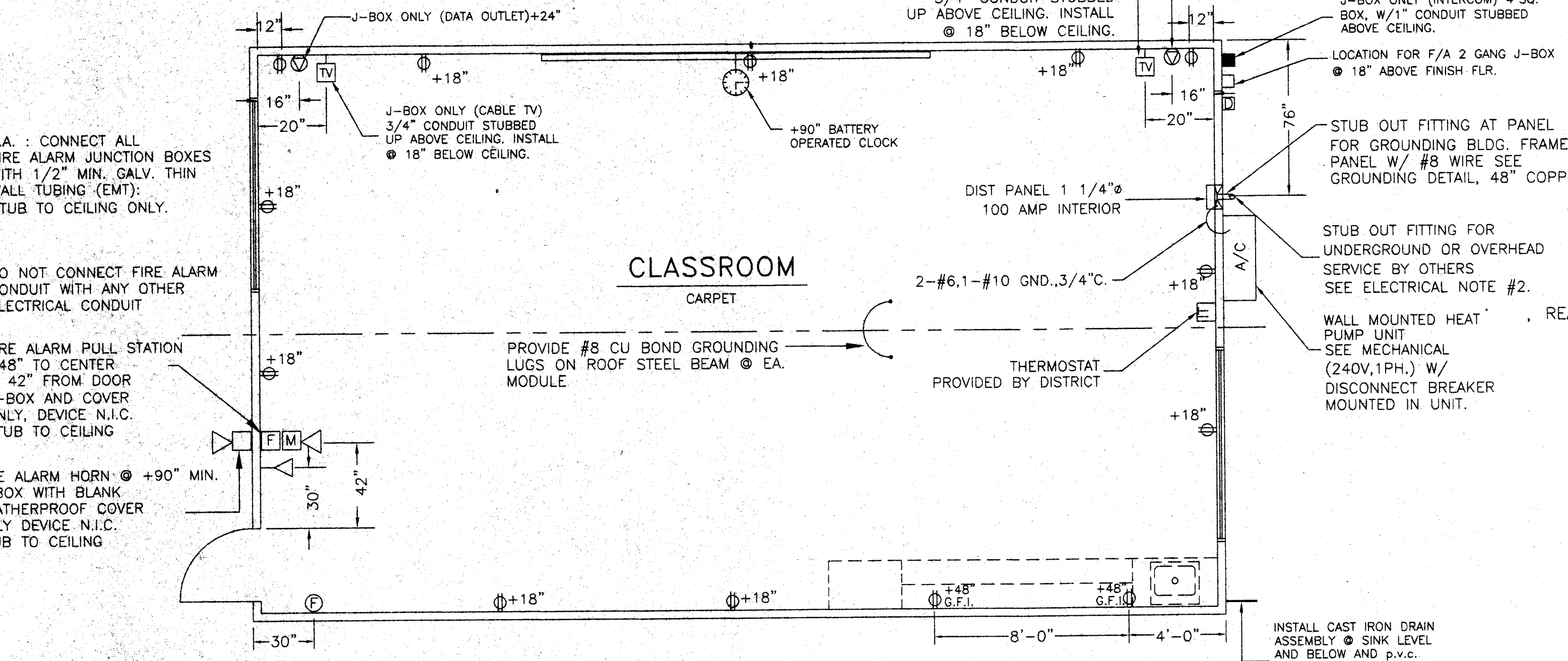
- GENERAL NOTES
- GROUNDING ELECTRODE CONDUCTOR SIZED PER CEC 250-94 & 95.
 - ALLOW FOR 12' MOVEMENT IN ANY DIRECTION IF PAD FOUNDATION IS USED.
 - PROVIDE BONDS TO BLDG. STEEL & PANEL (#8 CU)
 - PANEL TO LISTED FOR USE AS SERVICE EQUIPMENT.

- FIXTURE NOTES:
- ALL FLOURESCENT LIGHT FIXTURES SHALL HAVE ENERGY SAVING LAMPS AND BALLASTS.
 - LUMINAIRES/BALLASTS SHALL BE CERTIFIED PER CALIFORNIA BUILDING CODE TITLE 24.
 - FLOURESCENT LIGHT FIXTURE TYPE "A" SHALL BE CONTROLLED TO PROVIDE TWO LEVELS OF LIGHTING. SWITCH (SA) SHALL CONTROL THE TWO OUTER LAMPS AND SWITCH (SB) SHALL CONTROL THE TWO INNER LAMPS.

- ELECTRICAL
- Electrical service drop and connections supplied by others.
 - Manufacturer to provide stub-out from back of electrical panel through the exterior wall for receiving either underground or overhead service & fitting for grounding cable.
 - Electrical panel board shall be recess mounted inside the building. Sized to accommodate all connected loads including spaces as shown. Overcurrent protective devices in the panel boards have adequate short circuit interrupting capacity. All buses including bus shall be copper or aluminum.
 - 2x4 Fluorescent fixtures shall be steel frame, lens shall be hinged and locked in place by two locking devices. The lens diffusers shall be KHS, Inc. #KSH-12, Corolite, Inc. #C-12 or Plaskolite, Inc. #PL21A. Minimum lens thickness shall be .125 inch.
 - Flourescent ballast shall be energy saver while maintaining full light output, class "P" equipped with thermal protectors, guaranteed against failure for (2) years and be replaced from inside the fixture.
 - Clock - 12" battery operated clock



The H.V.A.C. unit feeder circuit - panel circuit breaker, feeder wire, unit disconnect and fuses (where used) - is to be coordinated with the name plate data at the time of manufacture. H.V.A.C. units having KVA ratings larger than that indicated on this panel schedule will not be allowed to be installed on this building. If 50 degrees C. wire is to be used in this installation, calculations demonstrating ampacity be provided on the drawing.



VOLTS: 120/240 SINGLE PHASE		PANEL: A		FEED: EXTERIOR LB	
MAIN: 100 AMP MAIN BKR.		LOCATION: INTERIOR		MOUNTING: FLUSH	
LOAD	WATTS	BRK. A	BRK. B	BRK. C	WATTS
LIGHTS, FLOURESCENT	960	15	1	1	2160
LIGHTS, FLOURESCENT	960	15	1	3	4476
EXTERIOR LIGHT & CLOCK	100	15	1	5	4476
DUPLEX RECEPT.	720	15	1	7	
DUPLEX RECEPT.	720	15	1	9	
SPACE				11	
				12	
				13	
				14	
				15	
				16	
				17	
				18	
PHASE WATTAGE	1880,1680				4476,4476
TOTAL WATTS "A" LEG: 6556					TOTAL WATTS "B" LEG 6156
TOTAL WATTS: 15455		65	AMPS	120/240V	SINGLE PHASE
					100AMP BUS.

FEEDERS: TO BE RUN BY THE DISTRICT EITHER UNDERGROUND OR OVERHEAD. SEE SITE ELEC. PLAN.

FIRE ALARM Junction boxes - Galvanized sheet metal, square or rectangular with blank covers. Locate one box at rear of building near main electrical panel at +18" above finish floor for future connection. Covers - install gasketed, metal, waterproof, finish covers at exterior locations. Install finish covers at interior locations.

If testing results determine fire alarm audibility does not meet 15db over ambient noise levels, additional fire alarm signaling devices may be required by the enforcing anency

NOTE STUB OUT LOCATIONS FOR ELECTRICAL PANEL, FIRE ALARM, AND DATA BOXES. LOCATIONS SHOWN ARE DIAGRAMITICAL ONLY. EXACT LOCATIONS MAY VARY +/- SEVERAL FEET. PLEASE CONTACT AMERICAN MODULAR SYSTEMS FOR EXACT LOCATIONS.

IDENTIFICATION STAMP DIV. OF THE STATE ARCHITECT OFFICE OF REGULATION SERVICES

FILE NO. _____

DATE JAN 21 2004

A BUILDING GROUND DETAIL
E1 N.T.S.

3 ELECTRICAL DISTRIBUTION PLAN
E1 1/4" = 1'-0"

IDENTIFICATION STAMP DIV. OF THE STATE ARCHITECT

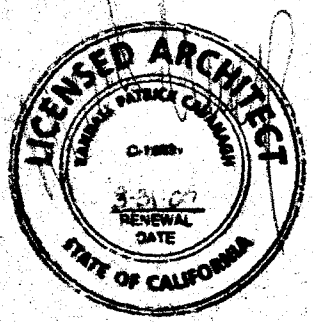
APPROX. 107512

AC FLG CL AP

DATE JAN 21 2004

BASED ON PC# 02-101837

24 X 40 RELOCATABLE CLASSROOMS



CUSTOMER: BAKERSFIELD CITY SCHOOL DISTRICT

ELECTRICAL PLAN & NOTES

DATE: 07-01-02
SCALE: NONE
DRAWN BY: Y.A.
CHECKED BY:
CHECKED BY:
SERIAL NO.

REVISIONS					
NO	DATE	DESCRIPTION	NO	DATE	DESCRIPTION

PROJECT No. _____

SHEET No. E 1