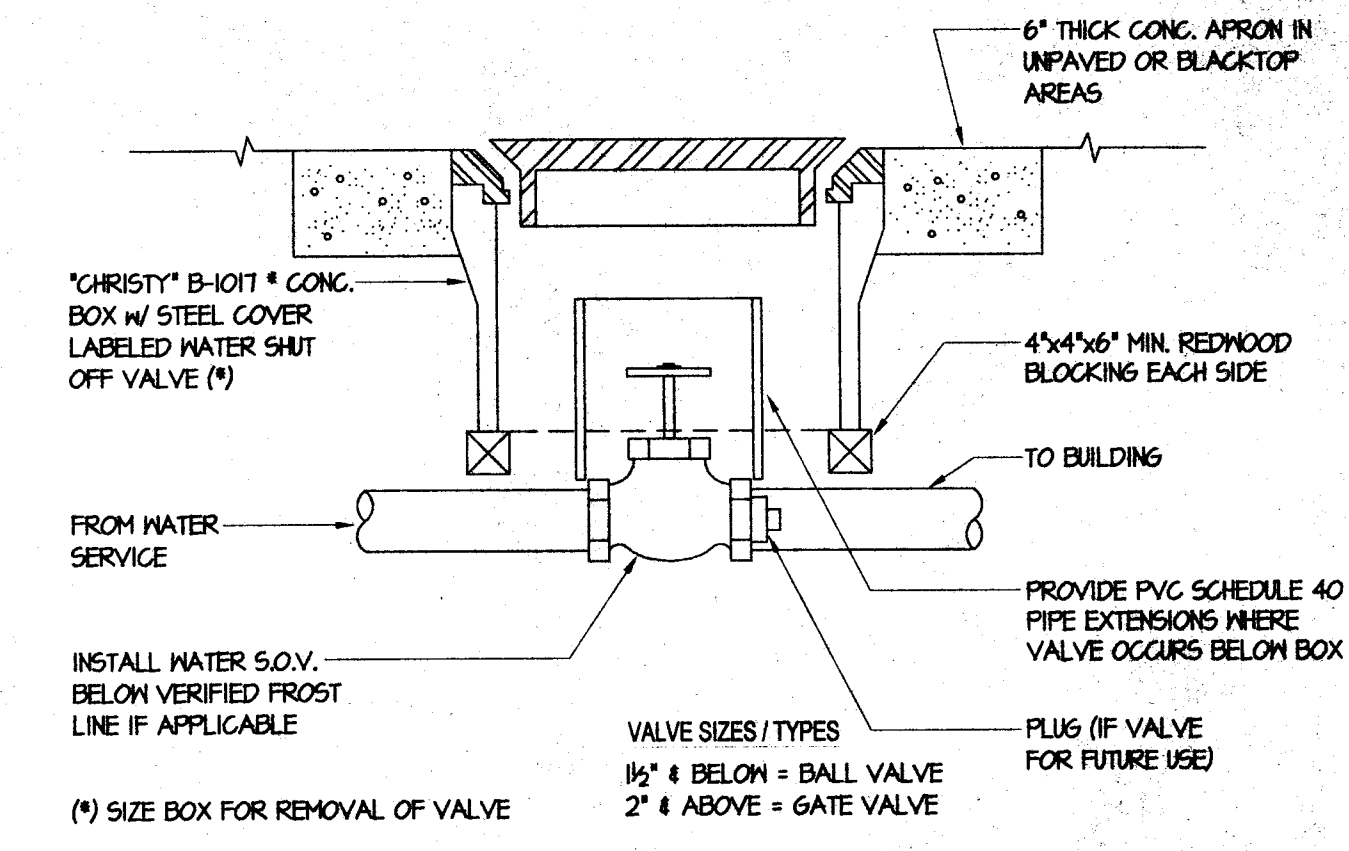


CLEANOUT TO GRADE (A)
NOT TO SCALE



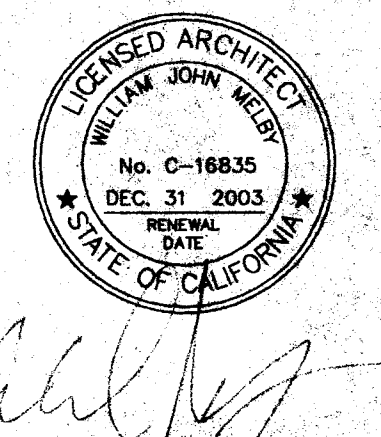
S.O.V. IN YD. BOX (B)
NOT TO SCALE

PLUMBING LEGEND					
SYMBOL	ABBR.	ITEM	SYMBOL	ABBR.	ITEM
+	A.C.	AIR CONDITIONING EQUIPMENT	H.B.	HOSE BIBB	
+	A.D.	ACCESS DOOR/WALL BOX	H.C.	HANDICAPPED	
	A.F.F.	ABOVE FINISHED FLOOR	L.	LAVATORY	
	C.D.	CONDENSATE DRAIN	LOC.	LOCATION	
	C.I.	CAST IRON	(N)	NEW	
	C.L.S.	CEILING	N.I.C.	NOT IN CONTRACT	
	C.O.	CLEANOUT	P.O.C.	POINT OF CONNECTION	
	COMB.	COMBUSTION	PROV.	PROVIDE	
	CONN.	CONNECTION	P.R.V.	PRESSURE REDUCING VALVE	
	CONT.	CONTINUATION	R.D.	ROOF DRAIN	
	COTG	CLEANOUT TO GRADE	R.W.L.	RAINWATER LEADER	
	(D)C.M.	(DOMESTIC) COLD WATER	S.	SINK	
	D.F.	DRINKING FOUNTAIN	S.M.	SOIL AND WASTE	
	(D)H.W.	(DOMESTIC) HOT WATER	SIM.	SIMILAR	
	(D)HWR	(DOMESTIC) HOT WATER RETURN	S.O.V.	SHUT OFF VALVE	
	DN.	DOWN	SS	STAINLESS STEEL	
	DRN.	DRAIN	S.S.	SERVICE SINK	
	(E)	EXISTING	SURF.	SURFACE	
	E.D.F.	ELECTRIC DRINKING FOUNTAIN	T.R.P.	TEMPERATURE AND PRESSURE RELIEF TRAP PRIMER	
	E.W.H.	ELECTRIC WATER HEATER	T.P.	TRAP PRIMER	
	EXTG	EXISTING	(TYP)	TYPICAL	
	F.C.O.	FLOOR CLEANOUT	UR.	URINAL	
	F.D.	FLOOR DRAIN	V.O.	VENT OFFSET	
	FLR.	FLOOR	V.T.R.	VENT THRU ROOF	
	F.S.	FLOOR SINK	W.	WASTE	
	G.	GAS	W.C.	WATER CLOSET	
	G.D.	GARBAGE DISPOSAL	W.H.	WATER HEATER	
	GRD.	GRADE	W.C.O.	WALL CLEANOUT	

PARTIAL PLUMBING SITE PLAN
SCALE: 1/8"=1'-0"

ORDIZ MELBY
ARCHITECTS, INC.

5500 MING AVENUE SUITE 280
BAKERSFIELD, CALIFORNIA 93309
TELEPHONE (805) 832-6258
FACSIMILE (805) 832-4281



DANNY E. ORDIZ, AIA
ARCHITECT C-14,728
WILLIAM J. MELBY, AIA
ARCHITECT C-18,836

IDENTIFICATION STAMP
DIV. OF THE STATE ARCHITECT

APPROX: 107510
AC: [Signature]
DATE: JAN 21 2004

PTN # 63321-16
PORTABLES
AT:
**CHIPMAN JR HIGH FOR
BAKERSFIELD
CITY SCHOOL
DISTRICT**
2301 PARK DRIVE
BAKERSFIELD
CALIFORNIA
93306

MARK	DATE	DESCRIPTION
SD		
CD		
△		
△		
△		
△		

JOB NUMBER:
2002546
CAD DRAWING FILE:

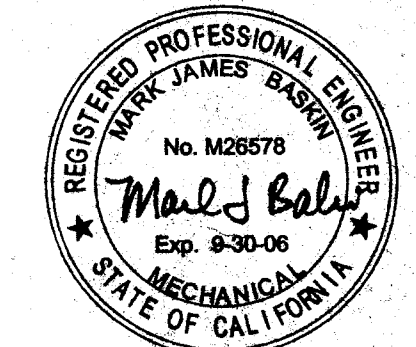
DRAWN BY:
MA
CHECKED BY:
RB

CHECK AND VERIFY ALL DIMENSIONS BEFORE
PROCEEDING WITH THE WORK.
REPORT DISCREPANCIES TO THE ARCHITECT.

THE DRAWINGS, IDEAS, AND DESIGNS
REPRESENTED ON THIS SHEET ARE THE
PROPERTY OF THE ARCHITECT.

COPYRIGHT
ORDIZMELBY ARCHITECTS, INC. 2002

SHEET TITLE



MDC MECHANICAL DESIGN CONCEPTS
428 Truxtun Avenue Bakersfield, Ca. 93301
Tel #: (661) 326-1313 Fax #: (661) 326-1089
#03088 PLOTTED: 12-1-03

SHEET IDENTIFICATION NUMBER
P-1
SHEET 1 OF 1