

THESE DRAWINGS AND ALL MATERIAL CONTAINED HEREIN ARE THE PROPERTY OF SILVERCREEK INDUSTRIES, INC (SCI) AND SHALL NOT BE REPRODUCED, COPIED OR OTHERWISE DISPOSED OF DIRECTLY OR INDIRECTLY AND SHALL NOT BE USED IN WHOLE OR IN PART TO ASSIST IN THE MAKING OF OR FOR THE PURPOSE OF FURNISHING ANY INFORMATION FOR THE MAKING OF DRAWINGS, PRINTS, APPARATUS OR PARTS THEREOF WITHOUT THE FULL KNOWLEDGE AND WRITTEN CONSENT OF SCI INC. ALL PATENTABLE MATERIAL CONTAINED HEREIN AND ORIGINATING WITH SCI INC SHALL BE THE PROPERTY OF SCI INC.

SILVER CREEK INDUSTRIES, INC.



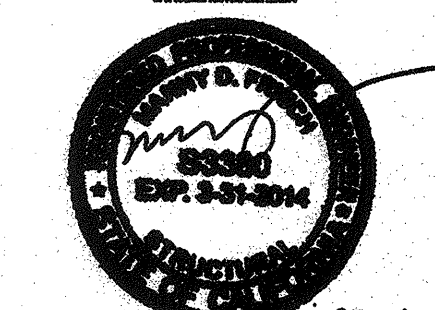
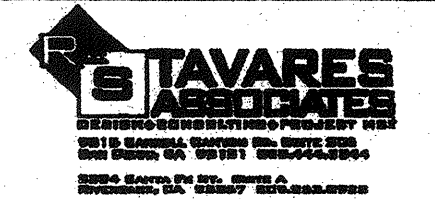
195 EAST MORGAN PEBBLES, CALIFORNIA 92571  
PHONE: 951-943-5393 FAX: 951-943-2211

PROJECT NAME:

CLASS LEASING CLASSROOMS BLDG'S

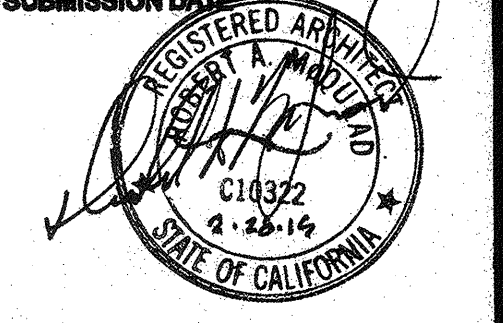
SHEET TITLE:

WALL FRAMING DETAILS WOOD STUDS

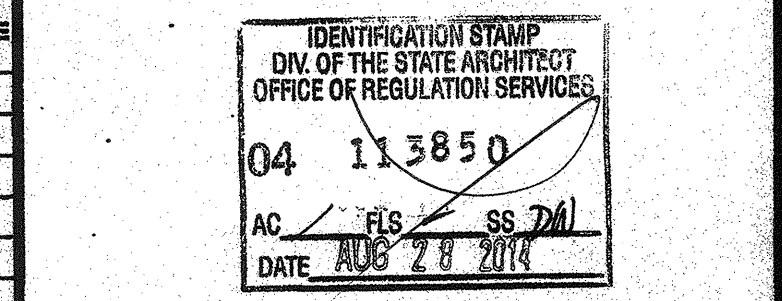


SEP 19 2012

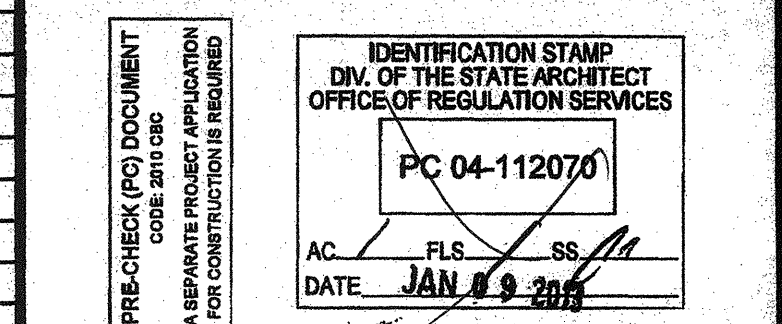
ARCHITECT OF RECORD SUBMISSION DATE



PROJECT SPECIFIC STATE AGENCY APPROVAL



ORIGINAL PC STATE AGENCY APPROVAL



REVISED

REVISIONS

PC REVISION 07/24/2012

SILVER CREEK INDUSTRIES 30' x 32' PC

PROJECT NO:

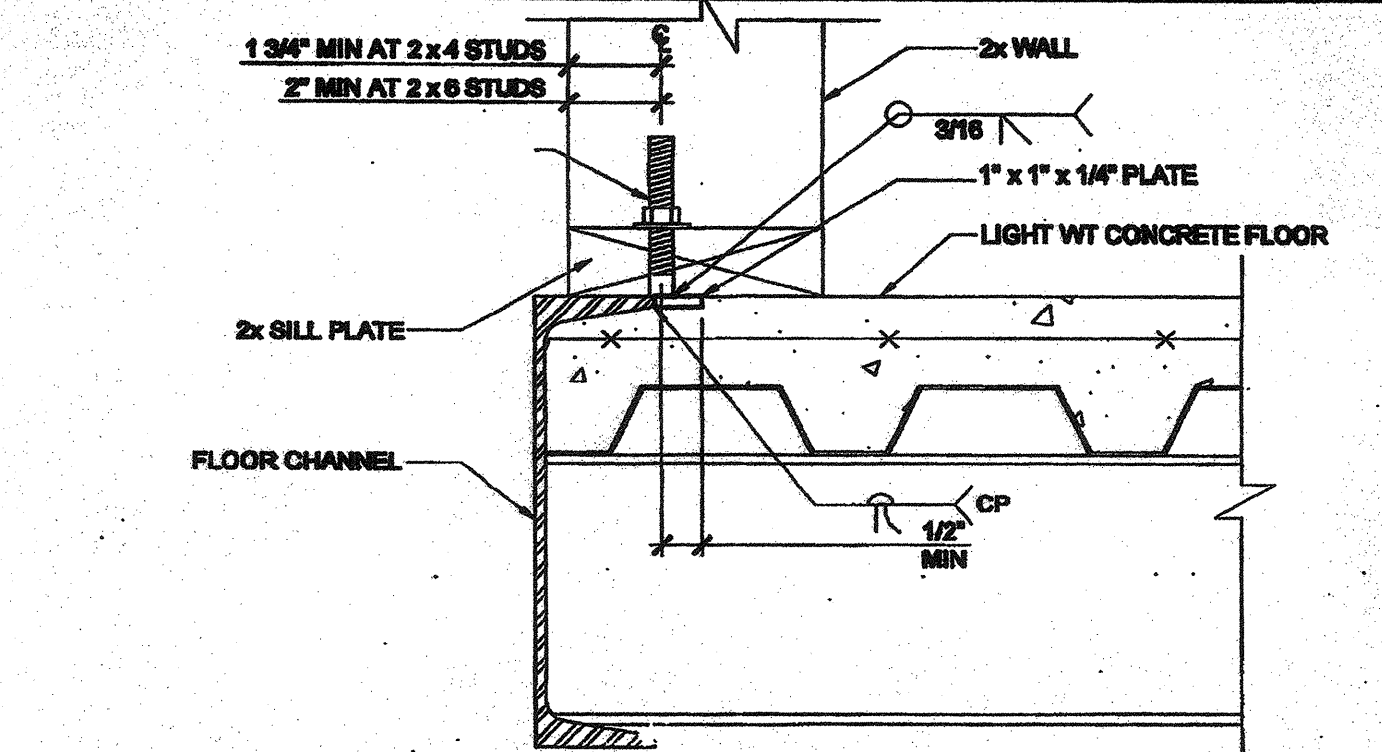
DRAWN BY:

SCALE: AS NOTED

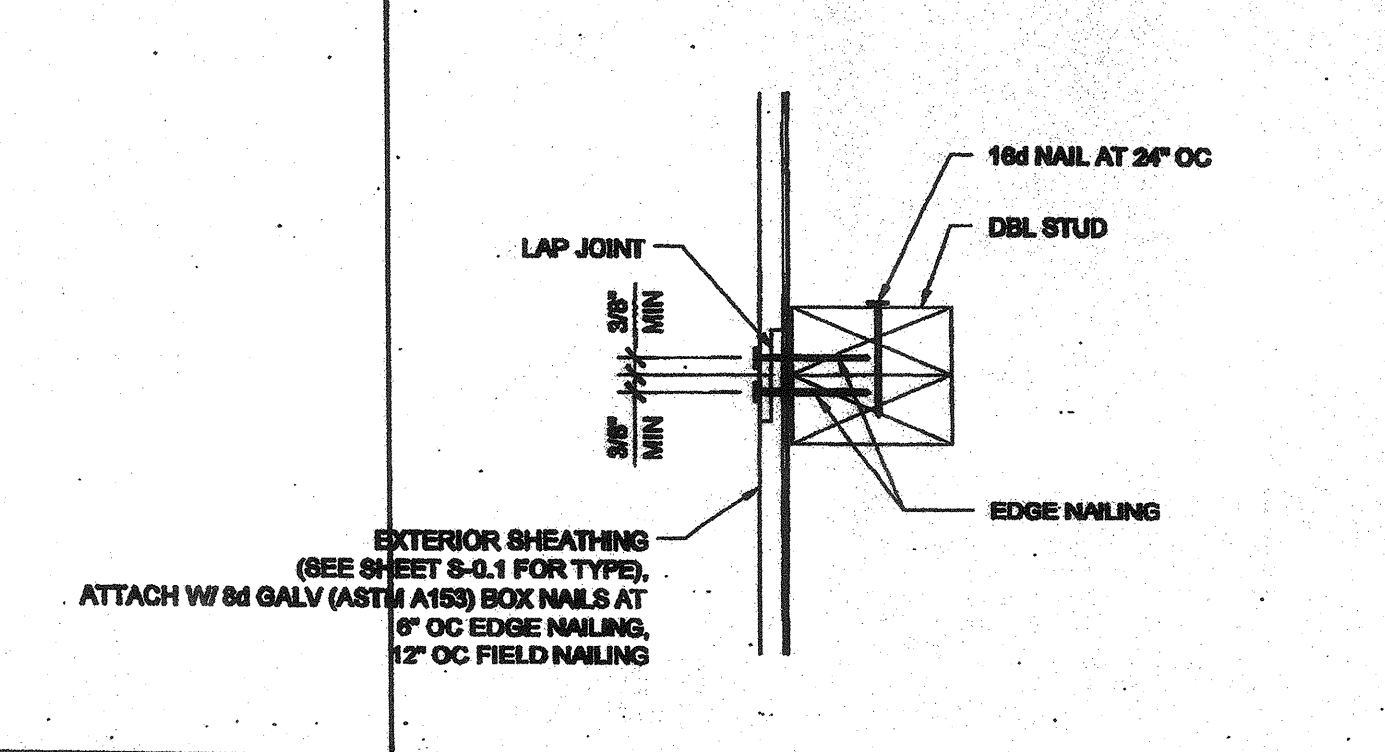
DATE: 6-17-11

P.C. SHEET NUMBER

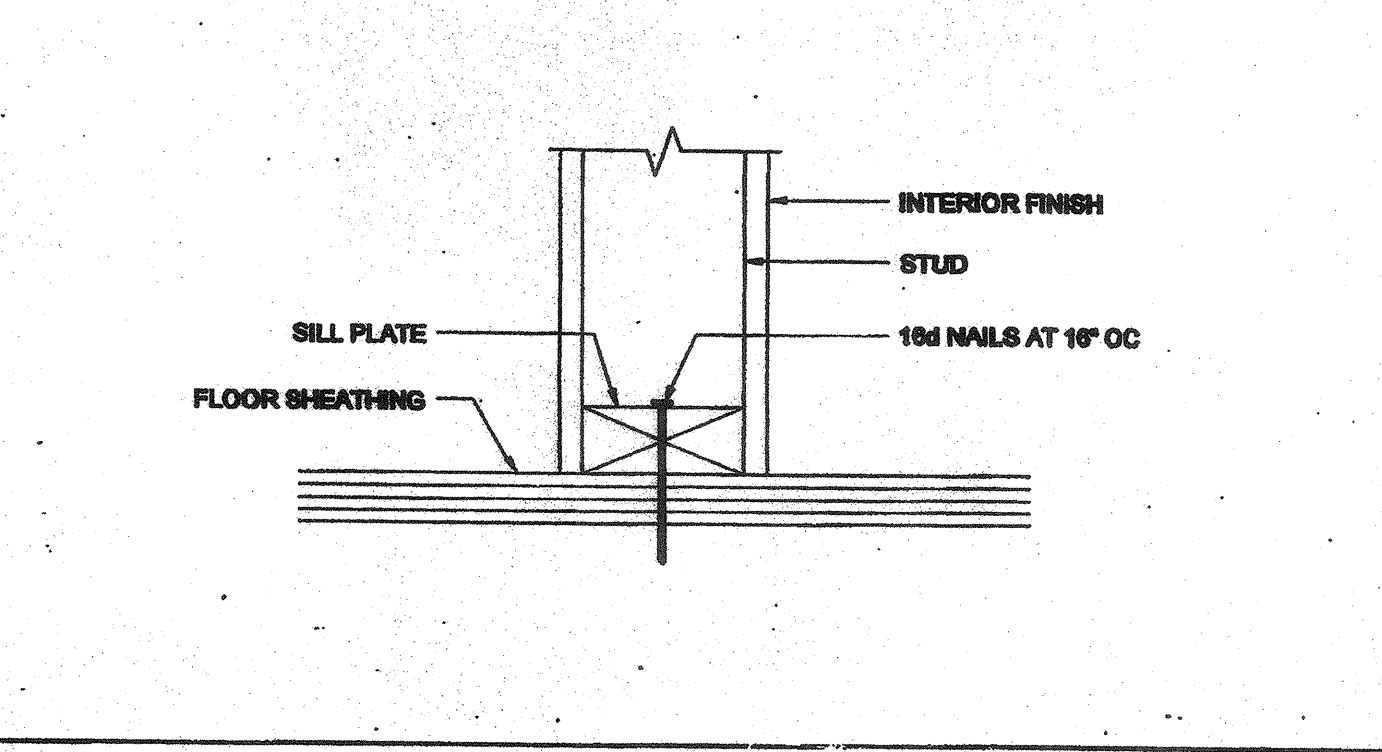
S-5.10



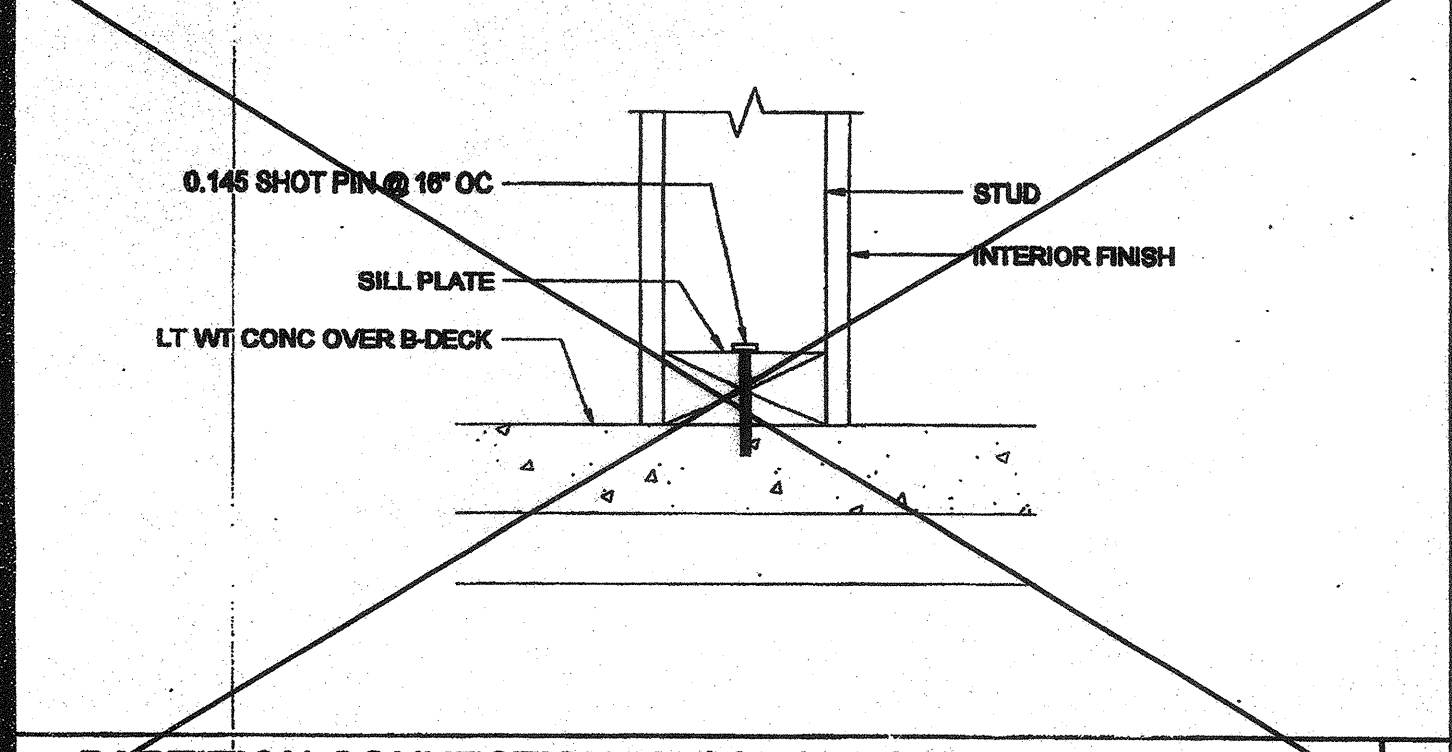
OPTIONAL BOLTED WALL TO FLOOR SCALE: NTS 1



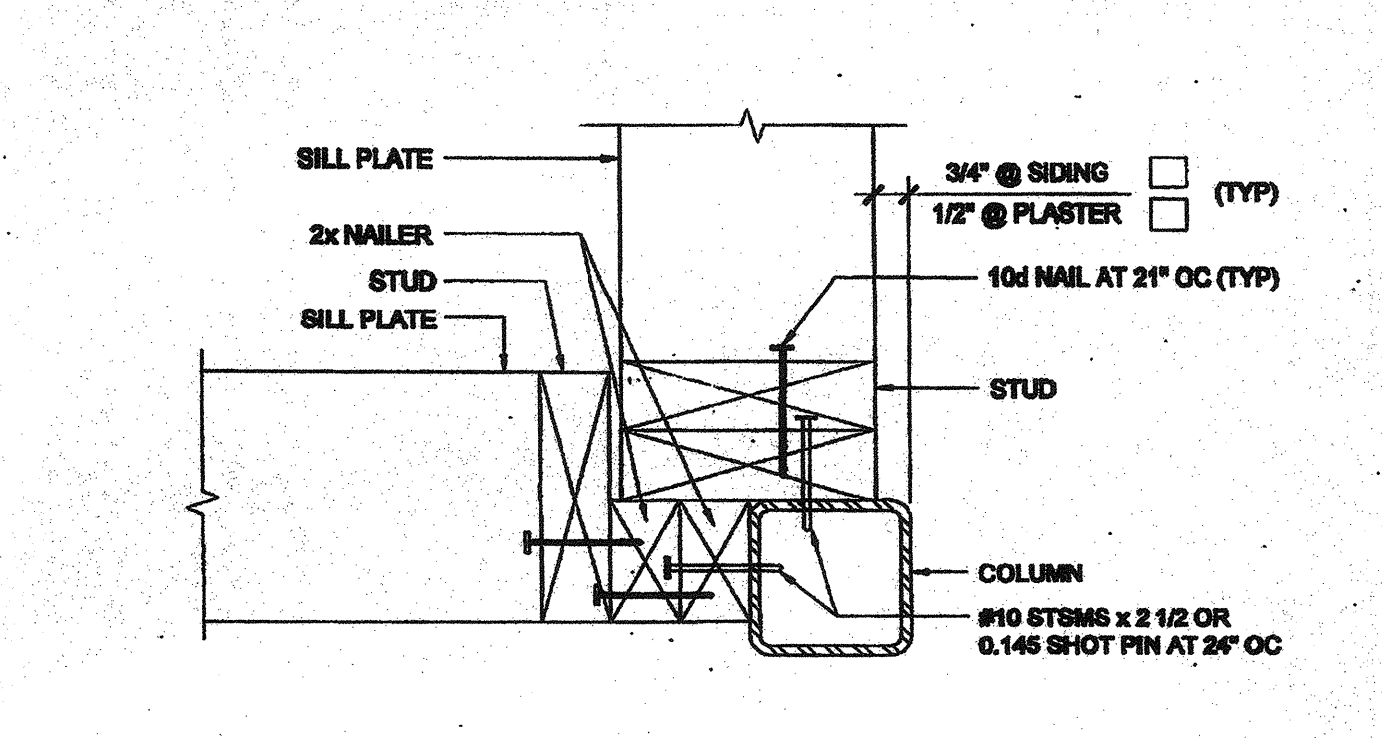
VERTICAL SHEATHING LAP JOINT SCALE: 3/4"=1'-0" 6



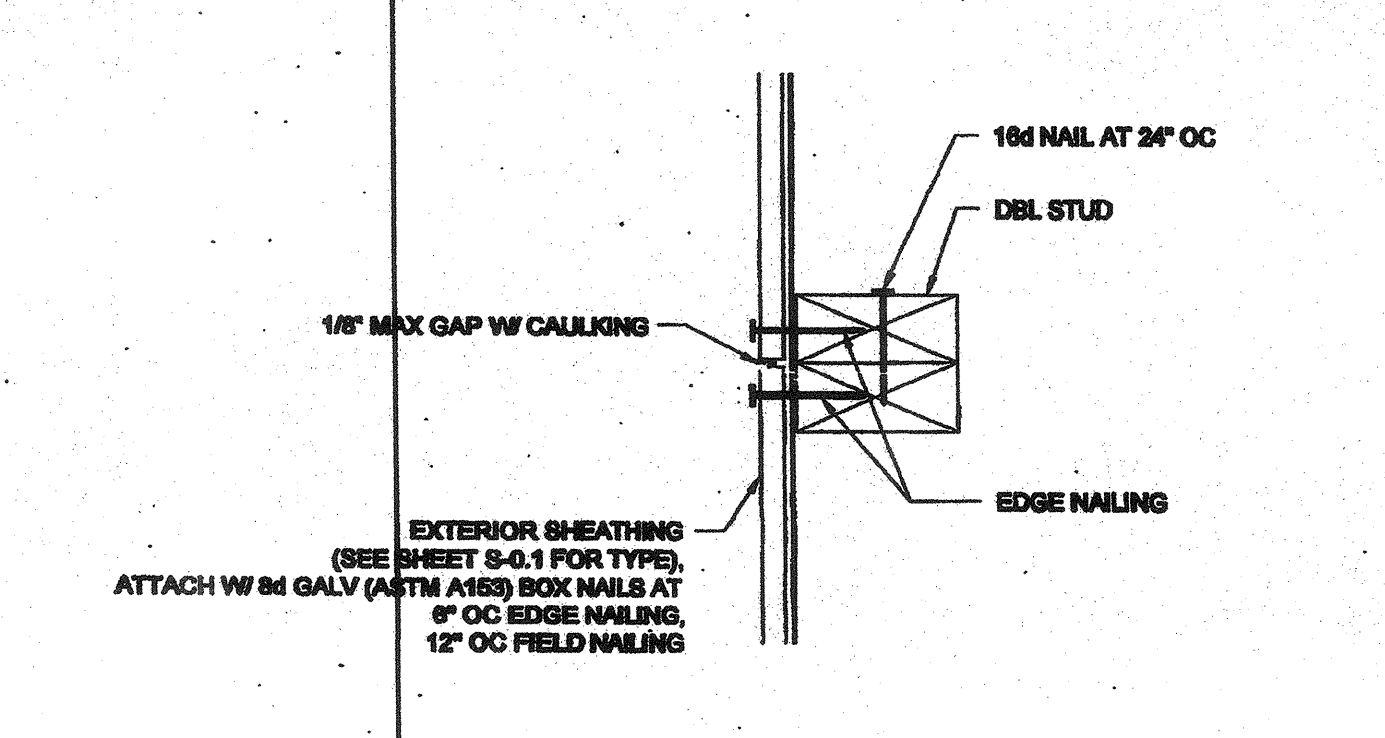
PARTITION CONNECTION AT WOOD FLOOR SCALE: 3/4"=1'-0" 11



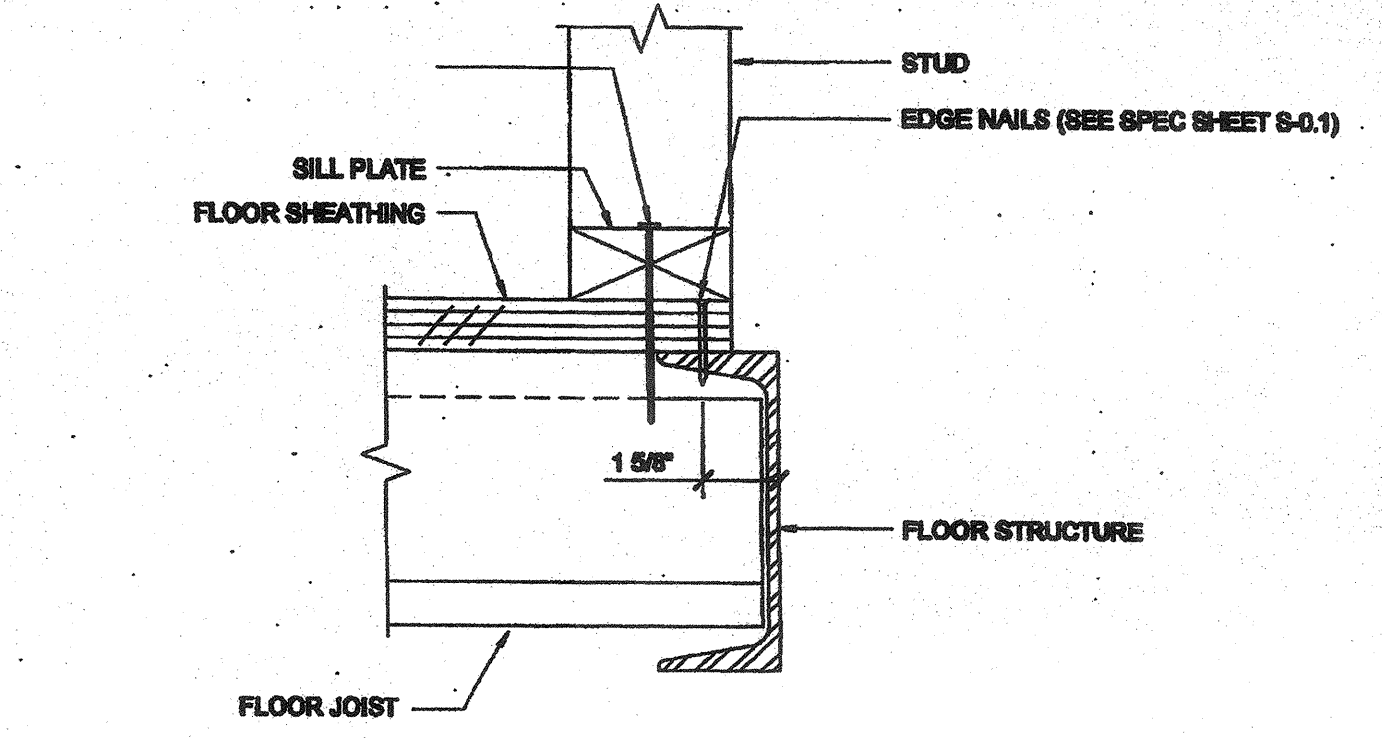
PARTITION CONNECTION AT CONG FLOOR SCALE: 3/4"=1'-0" 16



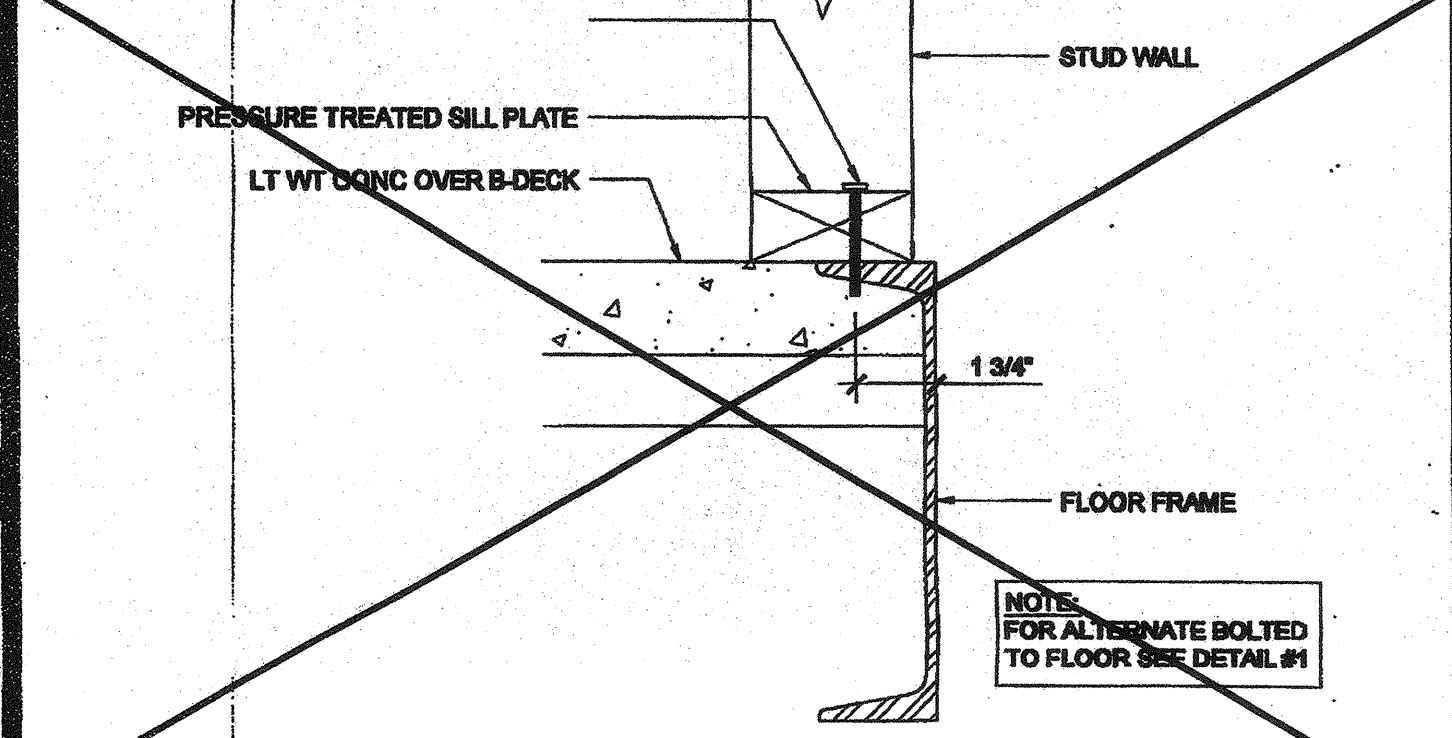
COLUMN AT ENDWALL (2x6) SCALE: 3/4"=1'-0" 2



VERTICAL SHEATHING BUTT JOINT SCALE: 3/4"=1'-0" 7

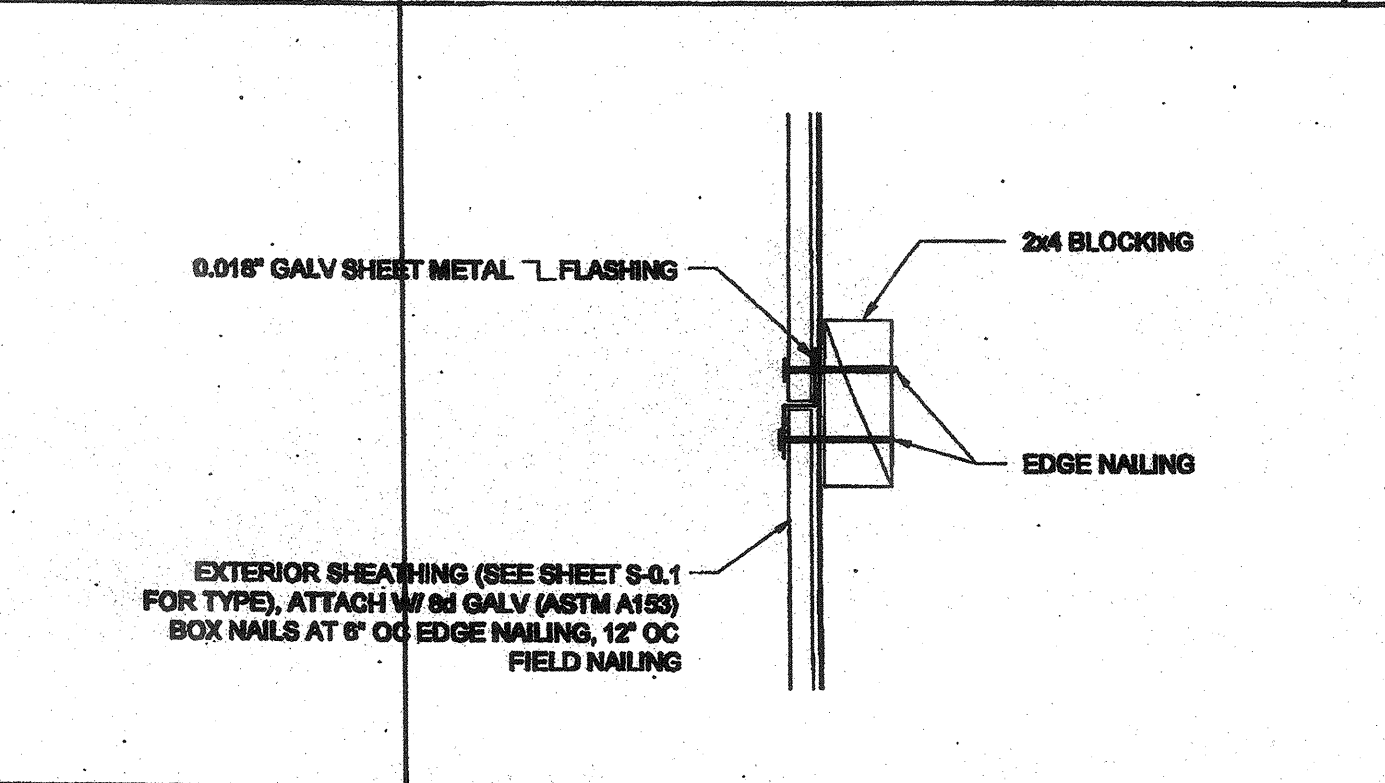


WALL SILL AT WOOD FLOOR SCALE: 3/4"=1'-0" 12

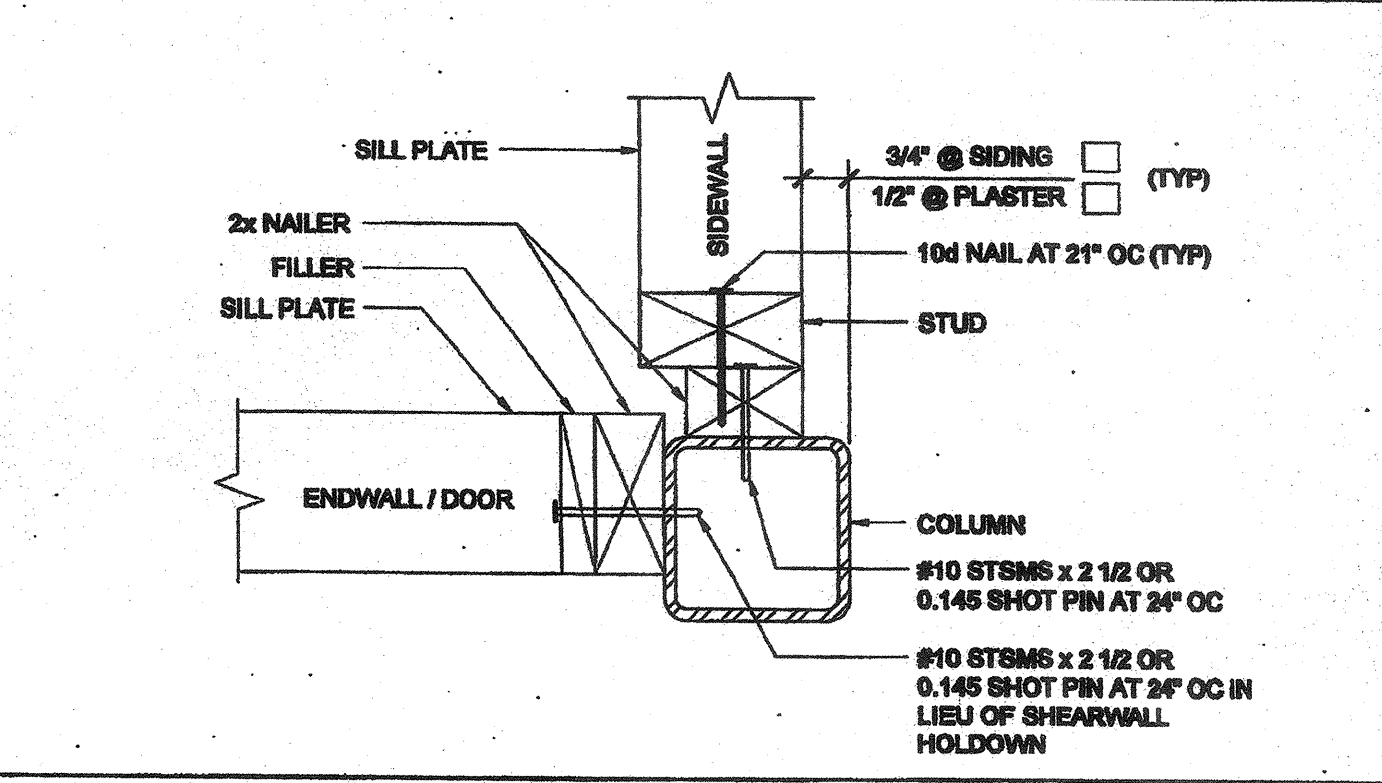


WALL SILL AT CONCRETE FLOOR SCALE: 3/4"=1'-0" 17

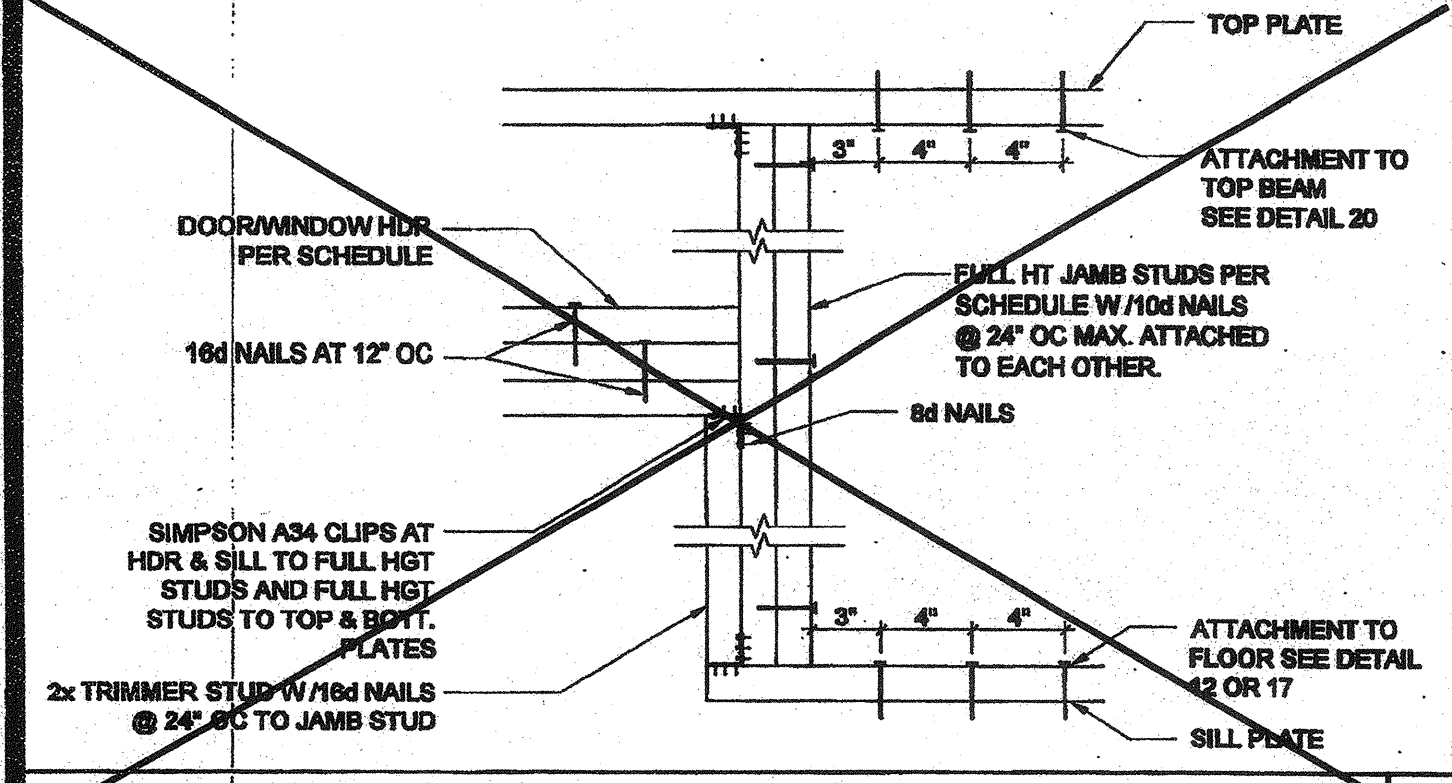
COLUMN HEIGHT	OPENING SIZE	EXT FINISH	HEADER			SILL			FULL HEIGHT KING STUD			
			NUMBER	SIZE	LUMBER TYPE	NUMBER	SIZE	LUMBER TYPE	NUMBER	SIZE	LUMBER TYPE	
LESS THAN 8'-6"	3070	NO PLASTER	(1)	2X4	HF #2	N/A	N/A	(2)	2X4	HF #2		
		NO PLASTER (OPT)	(1)	2X4	DF #2	N/A	N/A	(1)	2X4	DF #2		
		W/ PLASTER	(1)	2X4	HF #2	N/A	N/A	(3)	2X4	HF #2		
		W/ PLASTER (OPT)	(1)	2X4	DF #2	N/A	N/A	(3)	2X4	DF #2		
4070	4070	NO PLASTER	(1)	2X4	DF #2	N/A	N/A	(1)	2X4	DF #2		
		NO PLASTER (OPT)	(1)	2X4	DF #2	N/A	N/A	(1)	2X4	DF #2		
		W/ PLASTER	(1)	2X4	HF #2	N/A	N/A	(2)	2X4	DF #2		
		W/ PLASTER (OPT)	(1)	2X4	DF #2	N/A	N/A	(2)	2X4	DF #2		
6040	6040	NO PLASTER	(1)	2X4	HF #2	(1)	2X4	HF #2	(2)	2X4	HF #2	
		NO PLASTER (OPT)	(1)	2X4	DF #2	(1)	2X4	DF #2	(2)	2X4	DF #2	
		W/ PLASTER	(2)	2X4	HF #2	(2)	2X4	HF #2	(4)	2X4	DF #2	
		W/ PLASTER (OPT)	(1)	2X4	DF #2	(1)	2X4	DF #2	(2)	2X4	DF #2	
6040	6040	NO PLASTER	(2)	2X4	HF #2	(2)	2X4	HF #2	(3)	2X4	HF #2	
		NO PLASTER (OPT)	(2)	2X4	DF #2	(2)	2X4	DF #2	(2)	2X4	DF #2	
		W/ PLASTER	(3)	2X4	HF #2	(3)	2X4	HF #2	(4)	2X4	HF #2	
		W/ PLASTER (OPT)	(3)	2X4	DF #2	(3)	2X4	DF #2	(4)	2X4	DF #2	



HORIZONTAL SHEATHING JOINT SCALE: 3/4"=1'-0" 8

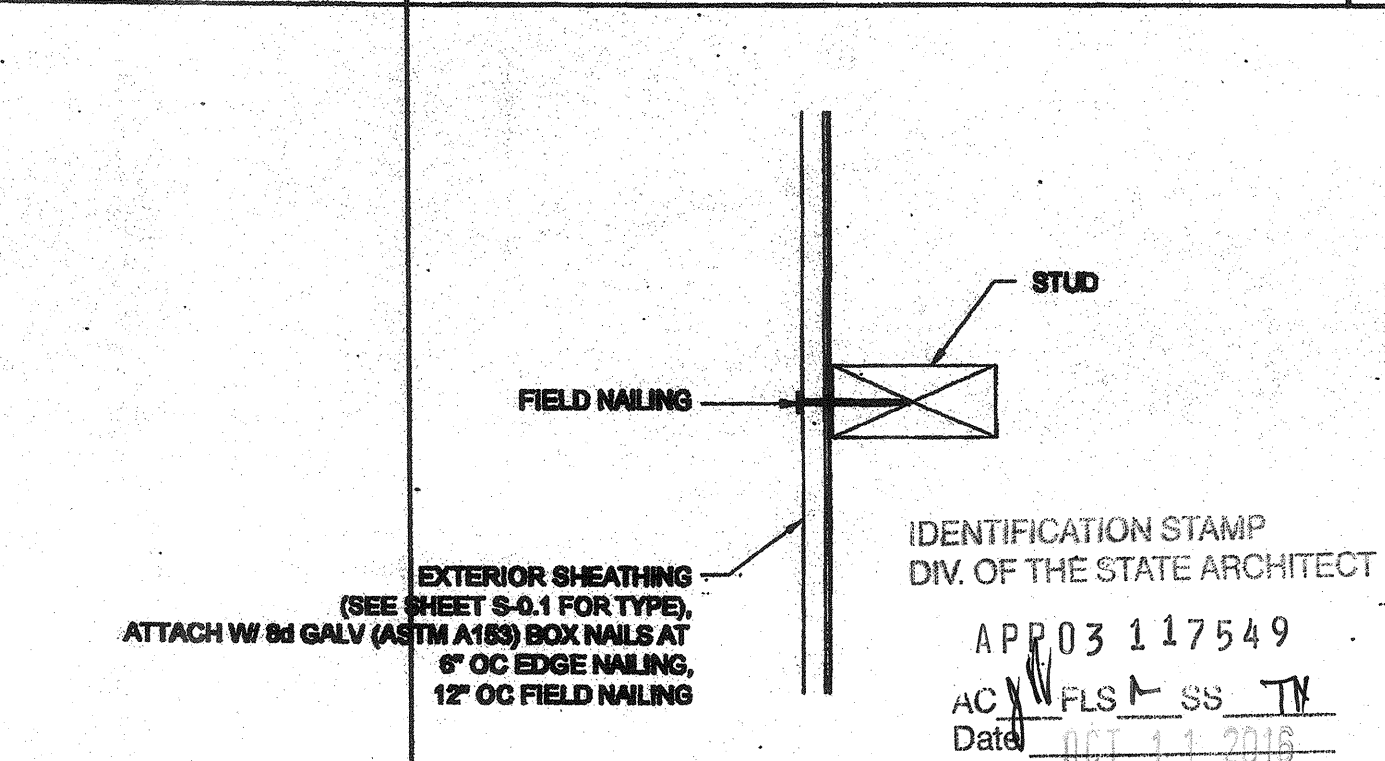


COLUMN AT ENDWALL SCALE: 3/4"=1'-0" 13

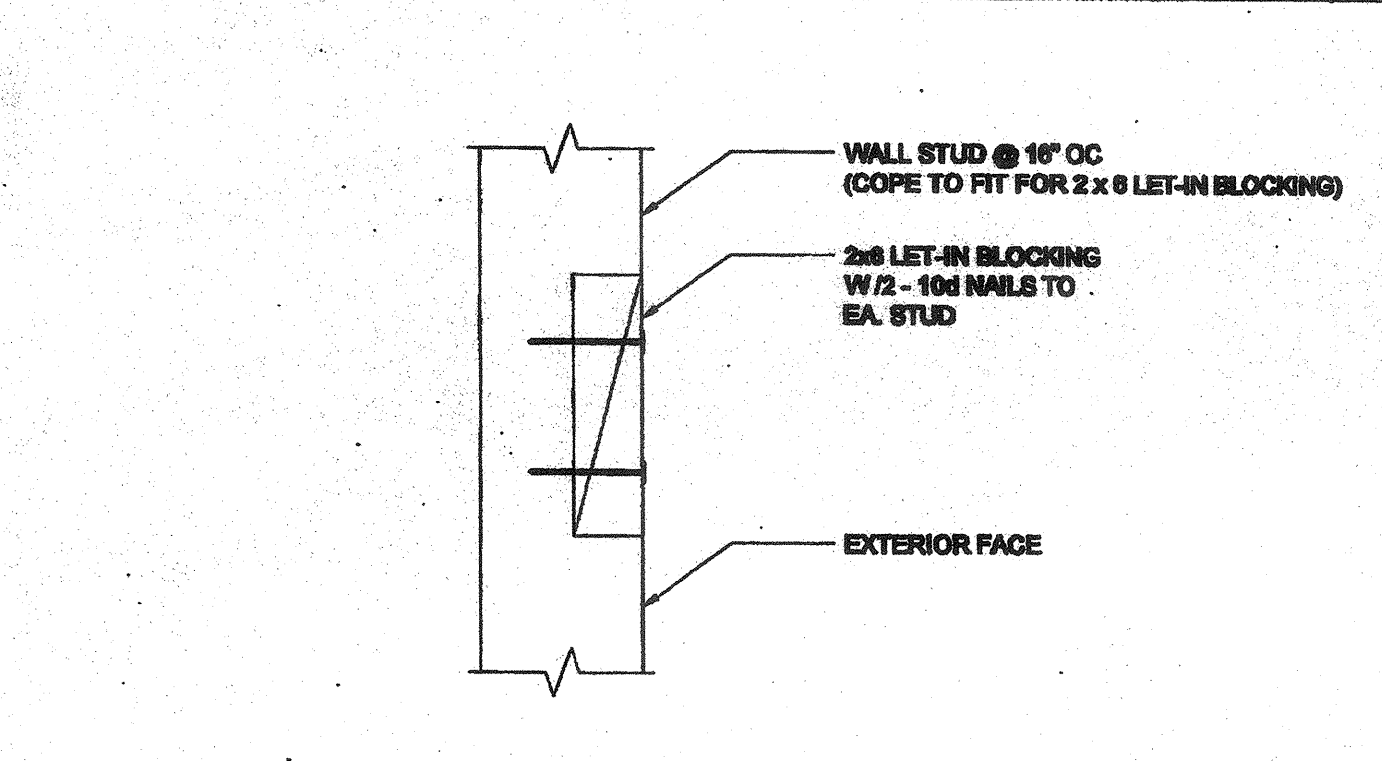


DOOR/WINDOW HEADER AND JAMB SCALE: 1 1/2"=1'-0" 18

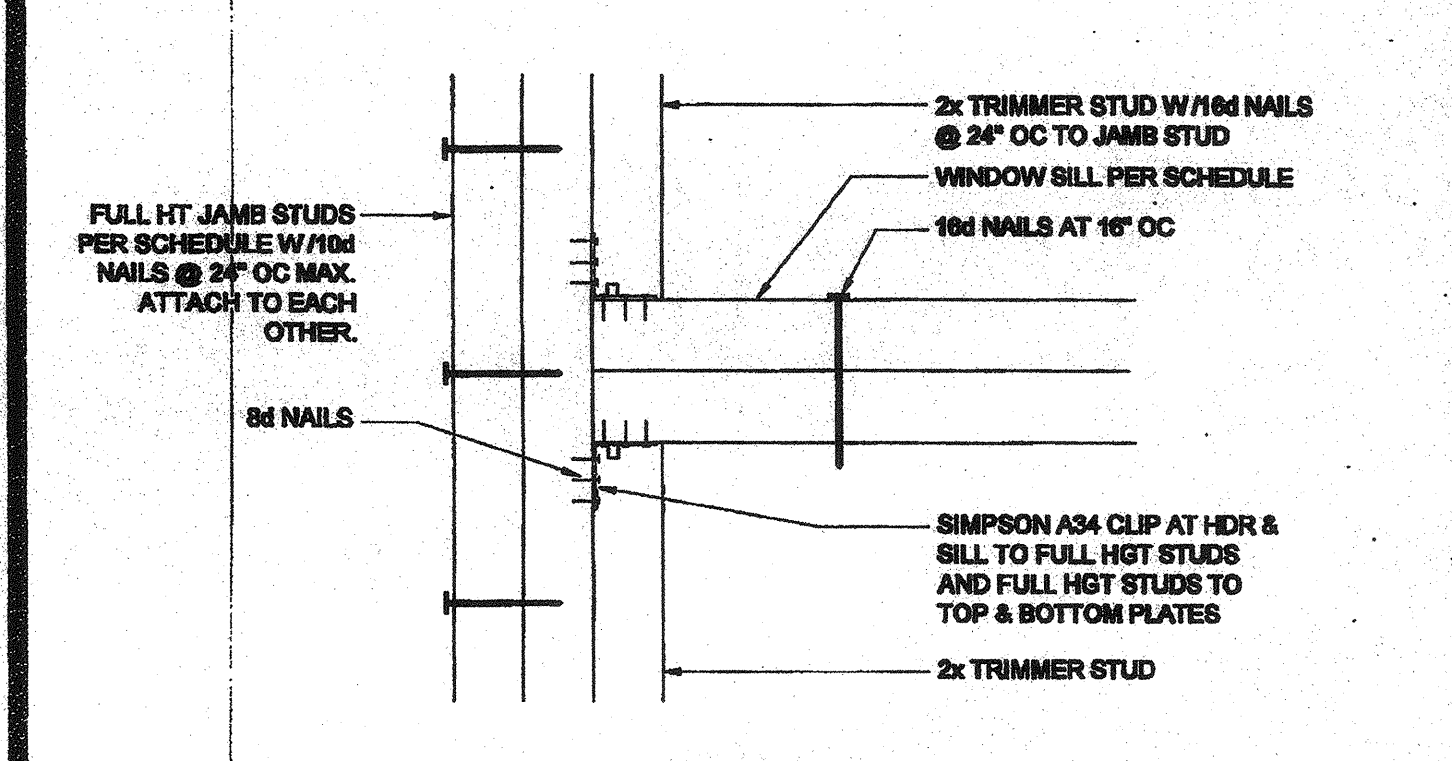
COLUMN HEIGHT	OPENING SIZE	EXT FINISH	HEADER			SILL			FULL HEIGHT KING STUD		
			NUMBER	SIZE	LUMBER TYPE	NUMBER	SIZE	LUMBER TYPE	NUMBER	SIZE	LUMBER TYPE
9'-0" TO 10'-0"	3070	NO PLASTER	(1)	2X4	HF #2	N/A	N/A	(2)	2X4	HF #2	
		NO PLASTER (OPT)	(1)	2X4	DF #2	N/A	N/A	(2)	2X4	DF #2	
		W/ PLASTER	(1)	2X4	HF #2	N/A	N/A	(4)	2X4	HF #2	
		W/ PLASTER (OPT)	(1)	2X4	DF #2	N/A	N/A	(3)	2X4	DF #2	
4070	4070	NO PLASTER	(1)	2X4	HF #2	N/A	N/A	(2)	2X4	HF #2	
		NO PLASTER (OPT)	(1)	2X4	DF #2	N/A	N/A	(2)	2X4	DF #2	
		W/ PLASTER	(1)	2X4	HF #2	N/A	N/A	(4)	2X4	HF #2	
		W/ PLASTER (OPT)	(1)	2X4	DF #2	N/A	N/A	(3)	2X4	DF #2	
6040	6040	NO PLASTER	(1)	2X4	HF #2	(1)	2X4	HF #2	(2)	2X4	HF #2
		NO PLASTER (OPT)	(1)	2X4	DF #2	(1)	2X4	DF #2	(2)	2X4	DF #2
		W/ PLASTER	(2)	2X4	HF #2	(2)	2X4	HF #2	(4)	2X4	DF #2
		W/ PLASTER (OPT)	(2)	2X4	DF #2	(2)	2X4	DF #2	(3)	2X4	DF #2
8040	8040	NO PLASTER	(2)	2X4	HF #2	(2)	2X4	HF #2	(3)	2X4	HF #2
		NO PLASTER (OPT)	(2)	2X4	DF #2	(2)	2X4	DF #2	(2)	2X4	DF #2
		W/ PLASTER	(4)	2X4	HF #2	(4)	2X4	HF #2	(5)	2X4	HF #2
		W/ PLASTER (OPT)	(3)	2X4	DF #2	(3)	2X4	DF #2	(5)	2X4	DF #2



SECTION AT SHEATHING TO STUD ATTACHMENT SCALE: 3/4"=1'-0" 9



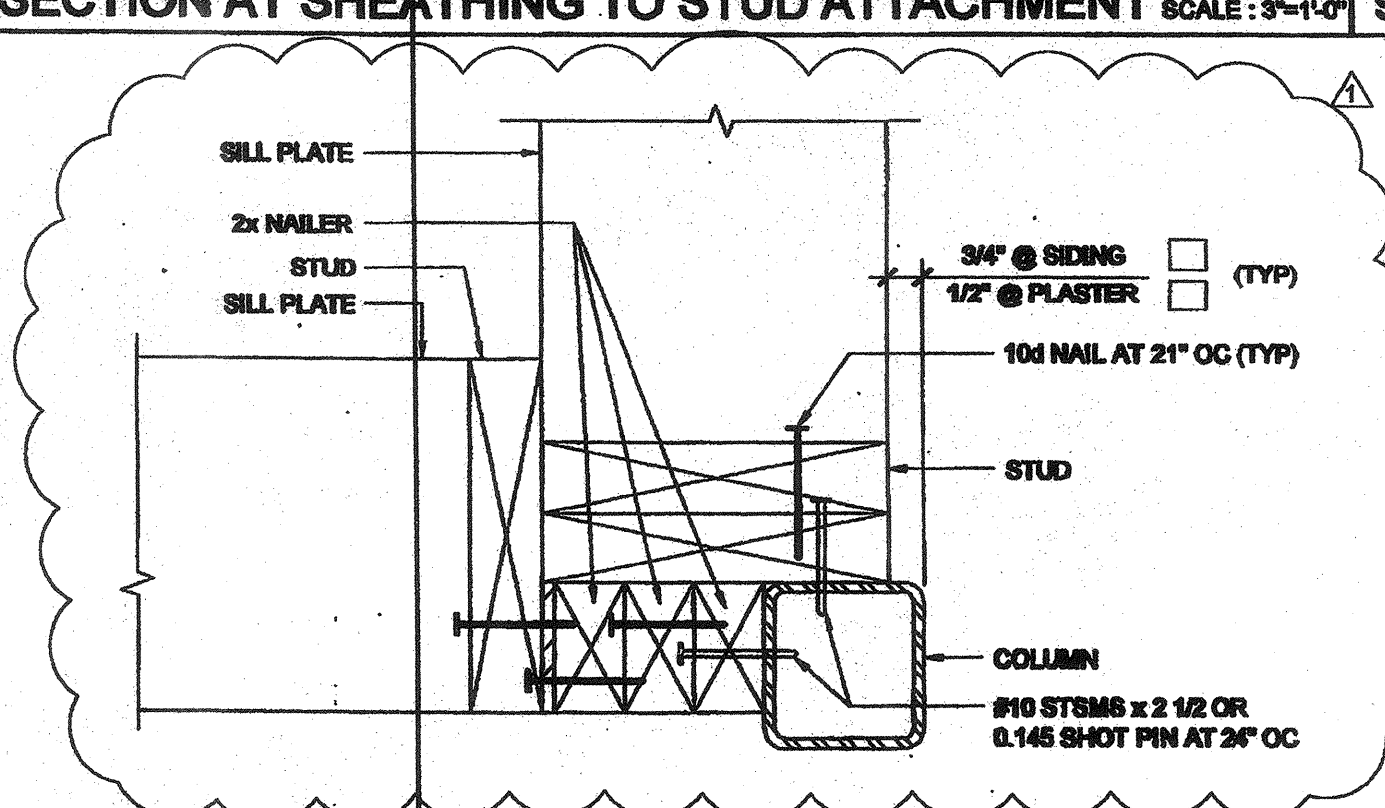
LET-IN BLOCK ATTACHMENT SCALE: 3/4"=1'-0" 14



WINDOW SILL AND JAMB SCALE: 3/4"=1'-0" 19

COLUMN HEIGHT	OPENING SIZE	EXT FINISH	WOOD WALL FRAMING				4' CORNER OF WOOD WALL FRAMING (ZONE B)			
			NUMBER	SIZE	LUMBER TYPE	OC	NUMBER	SIZE	LUMBER TYPE	OC
LESS THAN 9'-6"	3070	NO PLASTER	(1)	2X4	HF #2	16" OC	(1)	2X4	HF #2	16" OC
		NO PLASTER (OPT)	(1)	2X4	DF #2	16" OC	(1)	2X4	DF #2	16" OC
		W/ PLASTER	(1)	2X4	HF #2	16" OC	(1)	2X4	HF #2	12" OC
		W/ PLASTER (OPT)	(1)	2X4	DF #2	16" OC	(1)	2X4	DF #2	16" OC
9'-6" TO 10'-6"	4070	NO PLASTER	(1)	2X4	HF #2	16" OC	(1)	2X4	HF #2	16" OC
		NO PLASTER (OPT)	(1)	2X4	DF #2	16" OC	(1)	2X4	DF #2	16" OC
		W/ PLASTER	(1)	2X4	HF #2	12" OC	(2)	2X4	HF #2	16" OC
		W/ PLASTER (OPT)	(1)	2X4	DF #2	16" OC	(1)	2X4	DF #2	12" OC

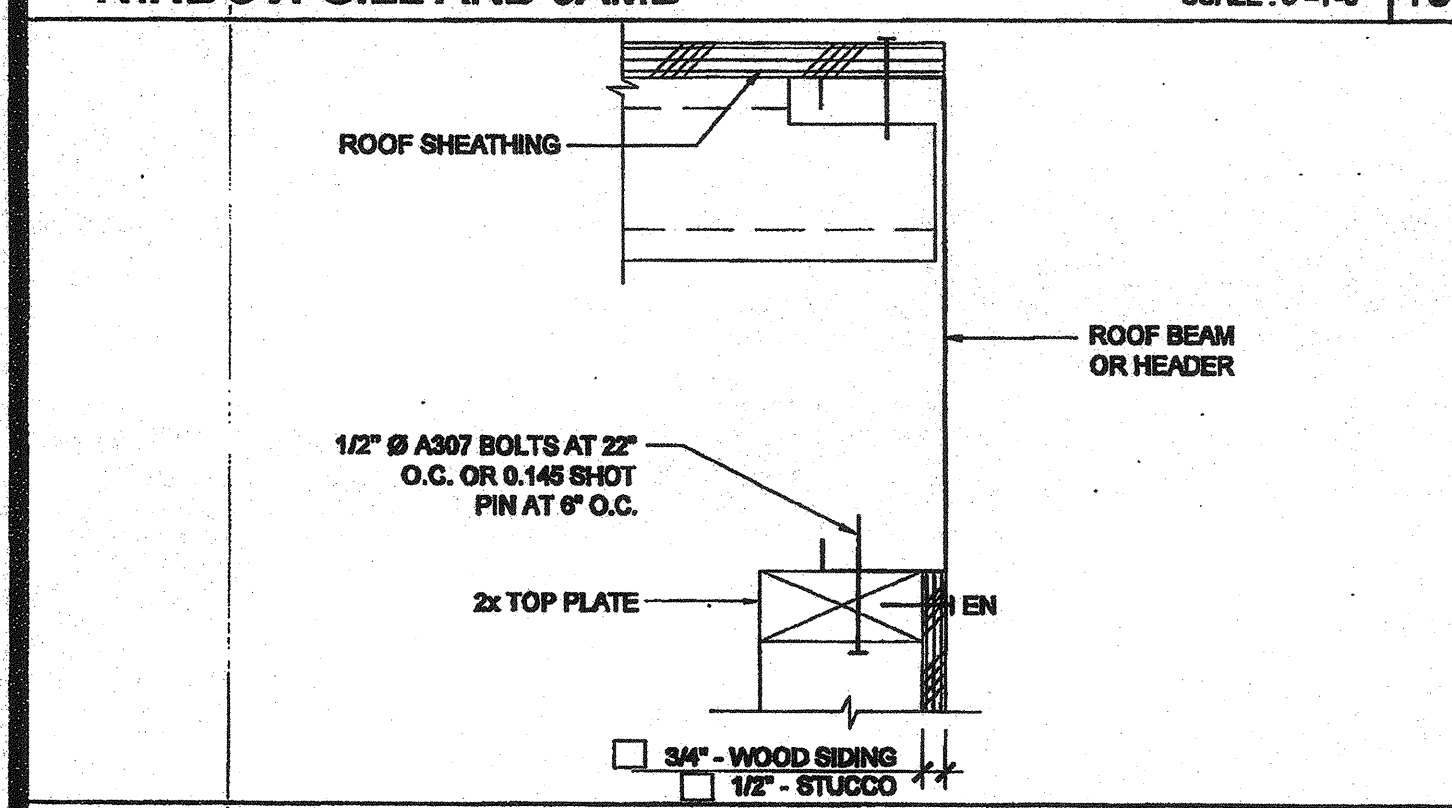
OPENING STUDS SCHEDULE - 100 MPH SCALE: 3/4"=1'-0" 4



COLUMN AT ENDWALL (2x8) SCALE: 3/4"=1'-0" 10

DOOR	WINDOW	STANDARD		WELDED FRAME	
		W	H	W	H
2070		26"	85"	28 1/4"	86 1/4"
3070		36"	85"	40 1/4"	86 1/4"
4070		50"	85"	52 1/4"	86 1/4"
6070		74"	85"	76 1/4"	86 1/4"
4040	47 3/4"	47 5/8"	52 1/4"	52 1/4"	
6040	71 3/4"	47 5/8"	76 1/4"	52 1/4"	
8040	95 3/4"	47 5/8"	100 1/4"	52 1/4"	
8020	71 3/4"	23 5/8"	76 1/4"	28 1/4"	
8020	95 3/4"	23 5/8"	100 1/4"	28 1/4"	

ROUGH OPENING SCHEDULE SCALE: 3/4"=1'-0" 15



TOP PLATE AT ROOF BEAM SCALE: 3/4"=1'-0" 20

WALL FRAMING SCHEDULE - 100 MPH SCALE: 3/4"=1'-0" 5