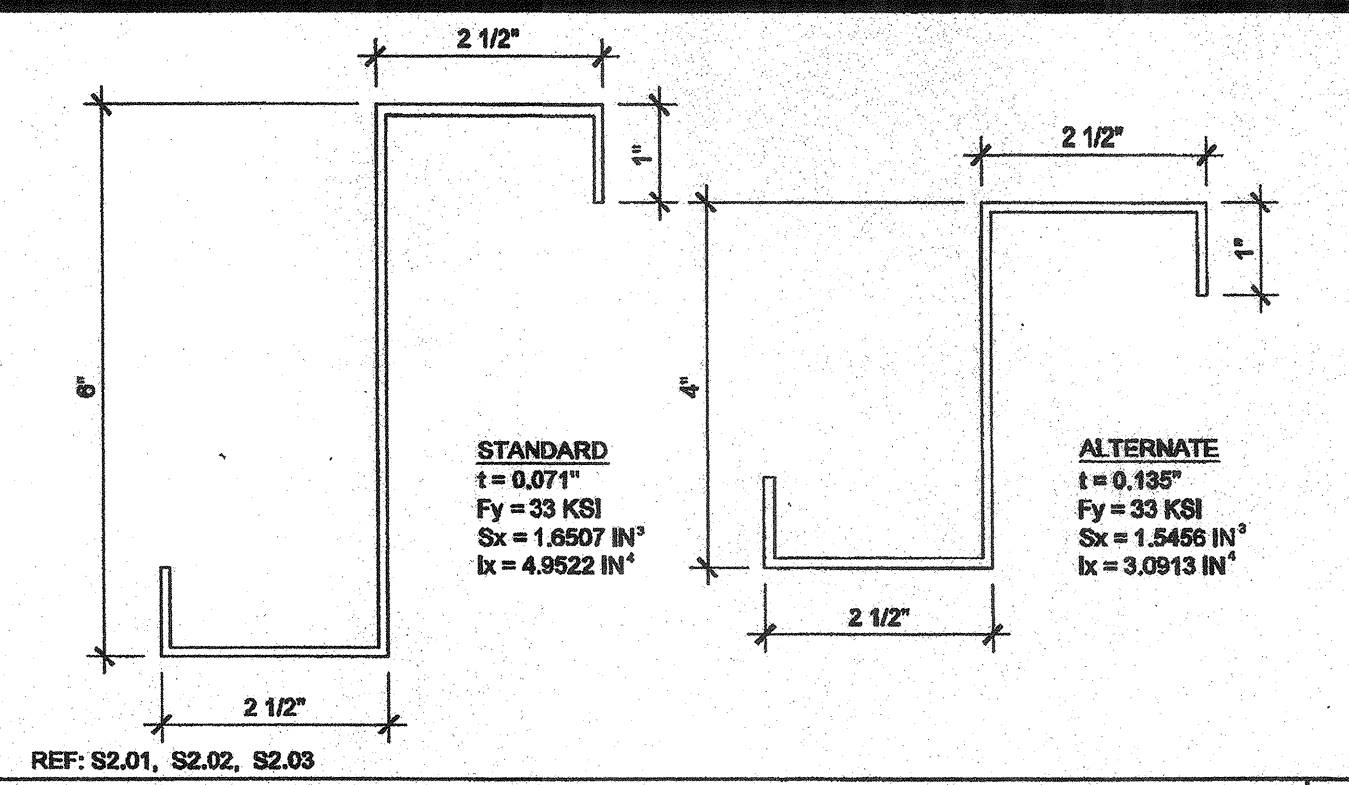
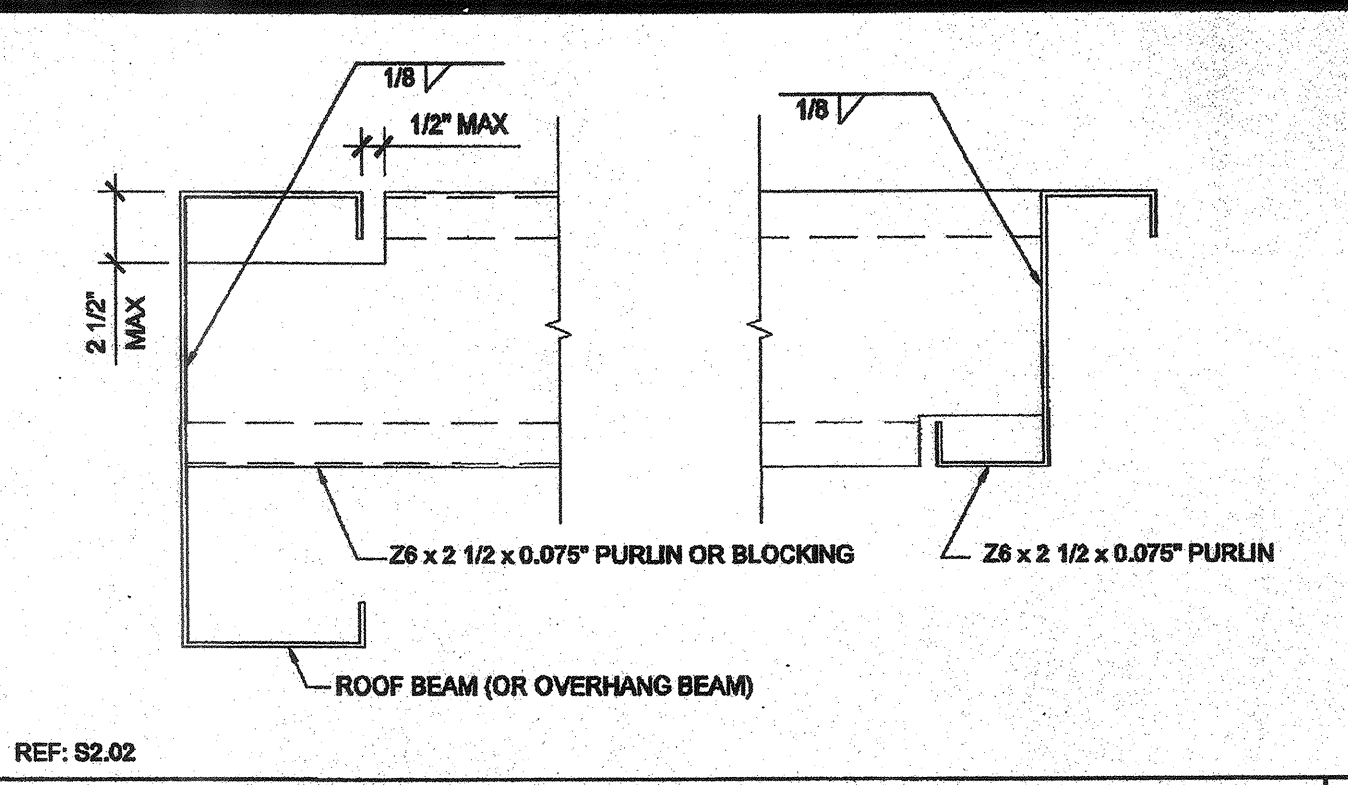


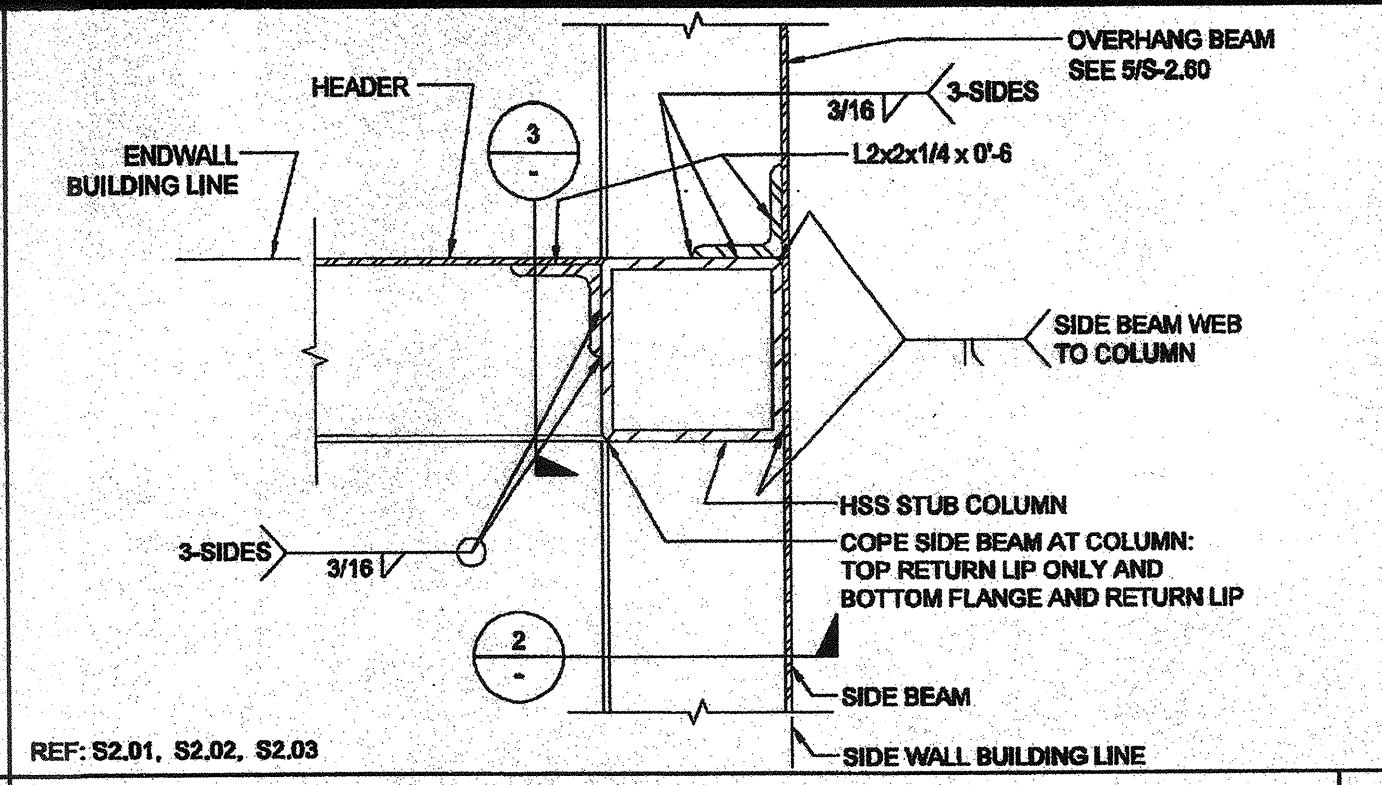
REF: S2.02  
**ROOF BRACING STRAP @ END WALL** SCALE: 3\"/>



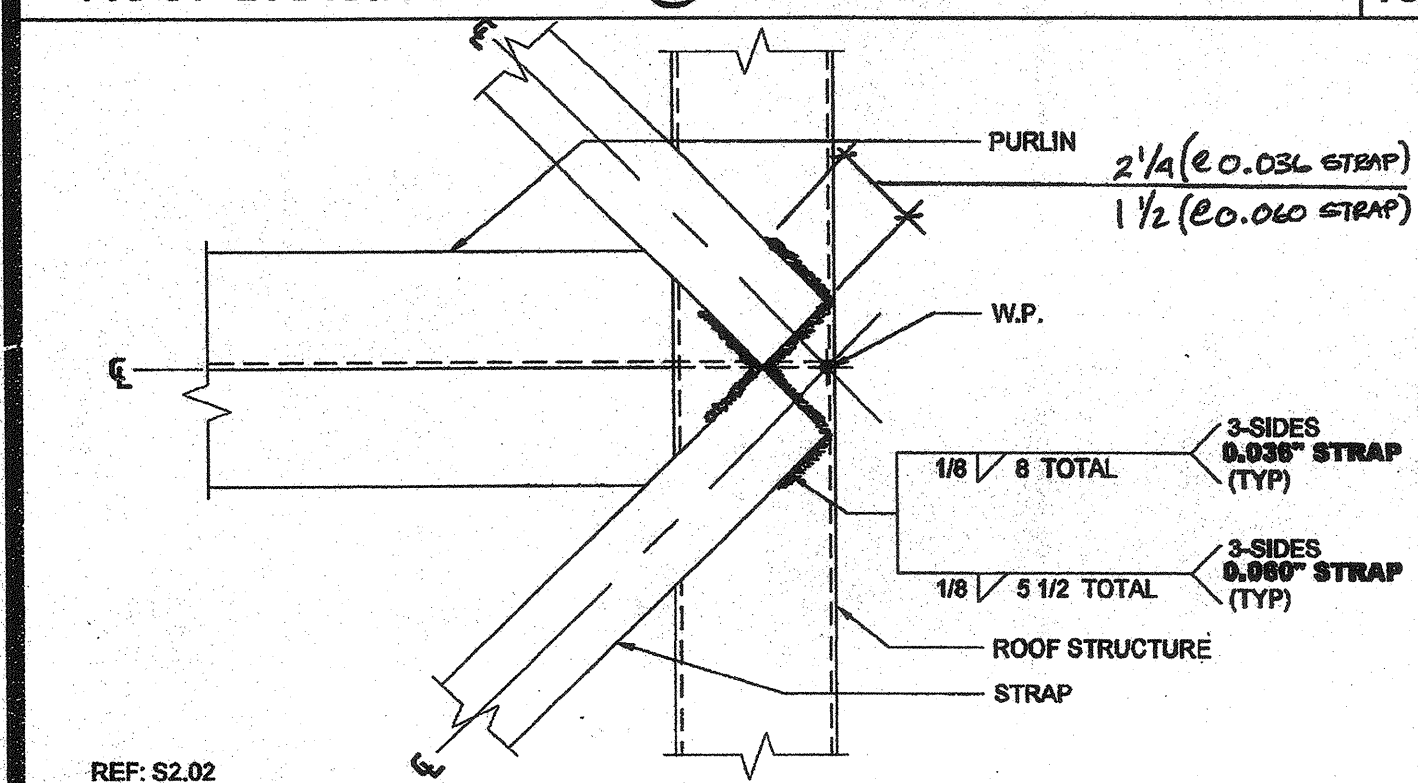
REF: S2.01, S2.02, S2.03  
**ROOF PURLIN** SCALE: 6\"/>



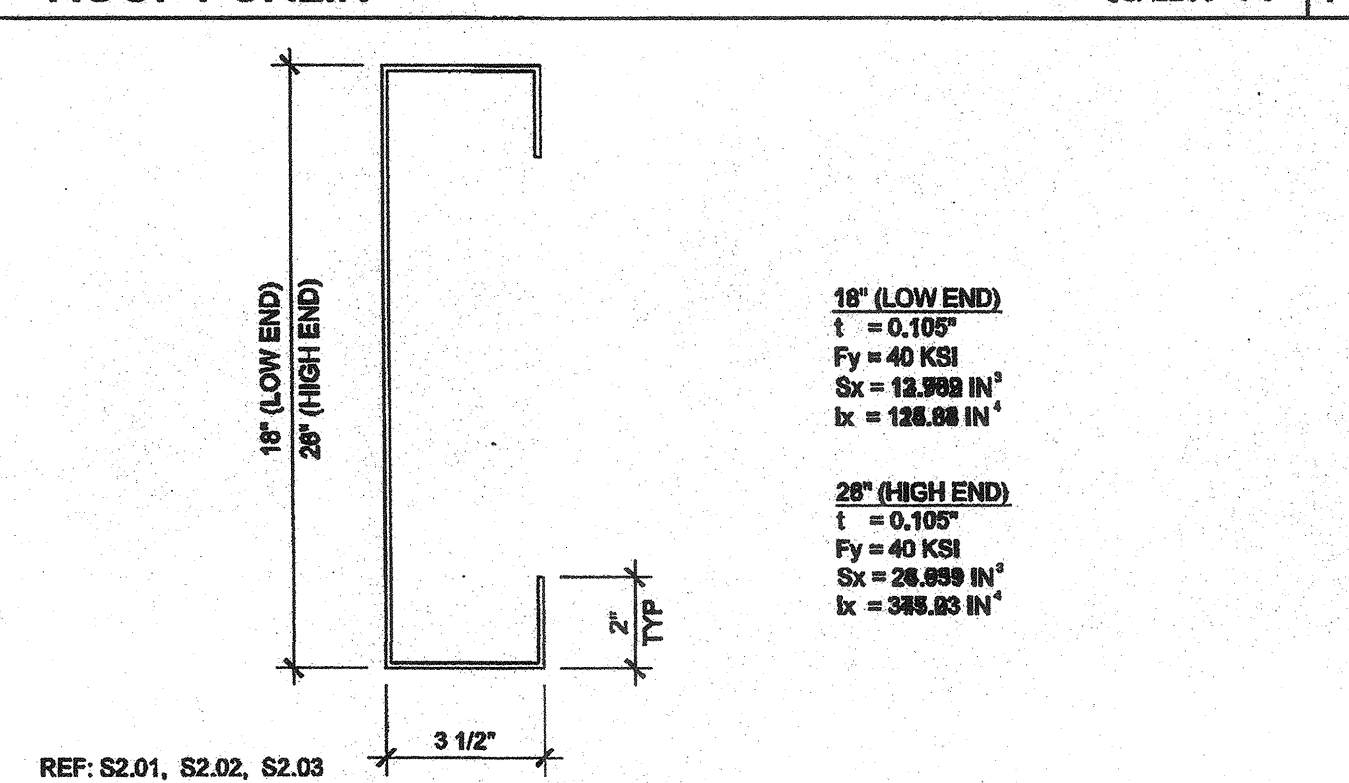
REF: S2.02  
**PURLIN CONNECTION DETAIL** SCALE: 3\"/>



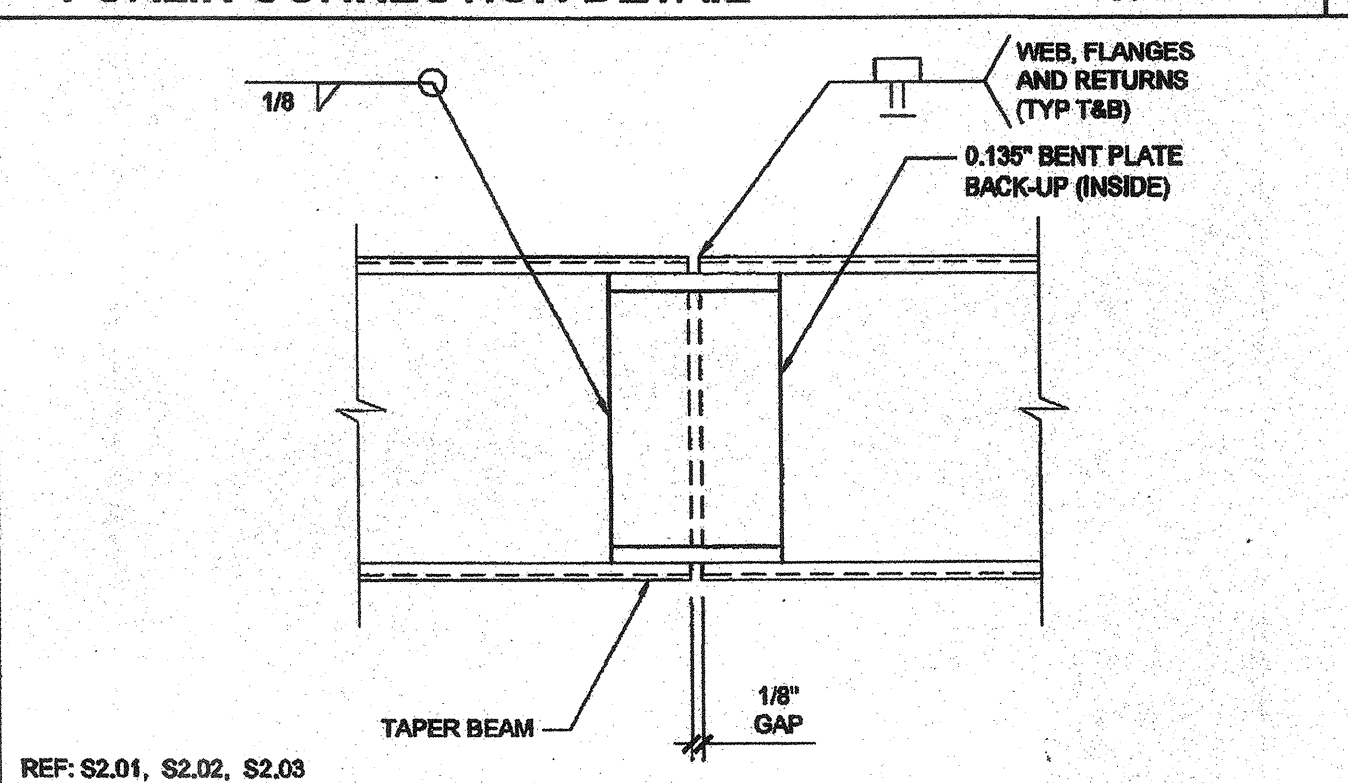
REF: S2.01, S2.02, S2.03  
**COLUMN AT ROOF - PLAN** SCALE: 3\"/>



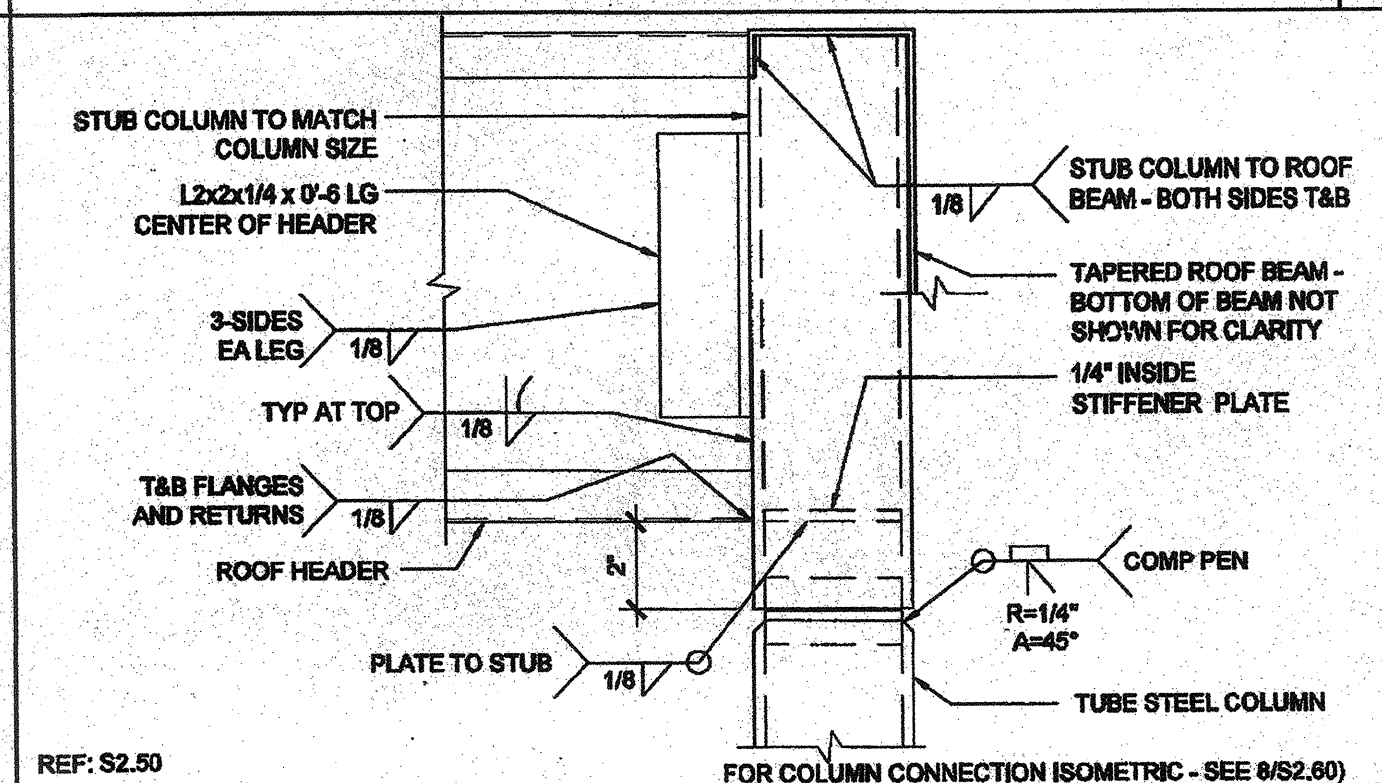
REF: S2.02  
**ROOF BRACING STRAP @ SIDE WALL** SCALE: 3\"/>



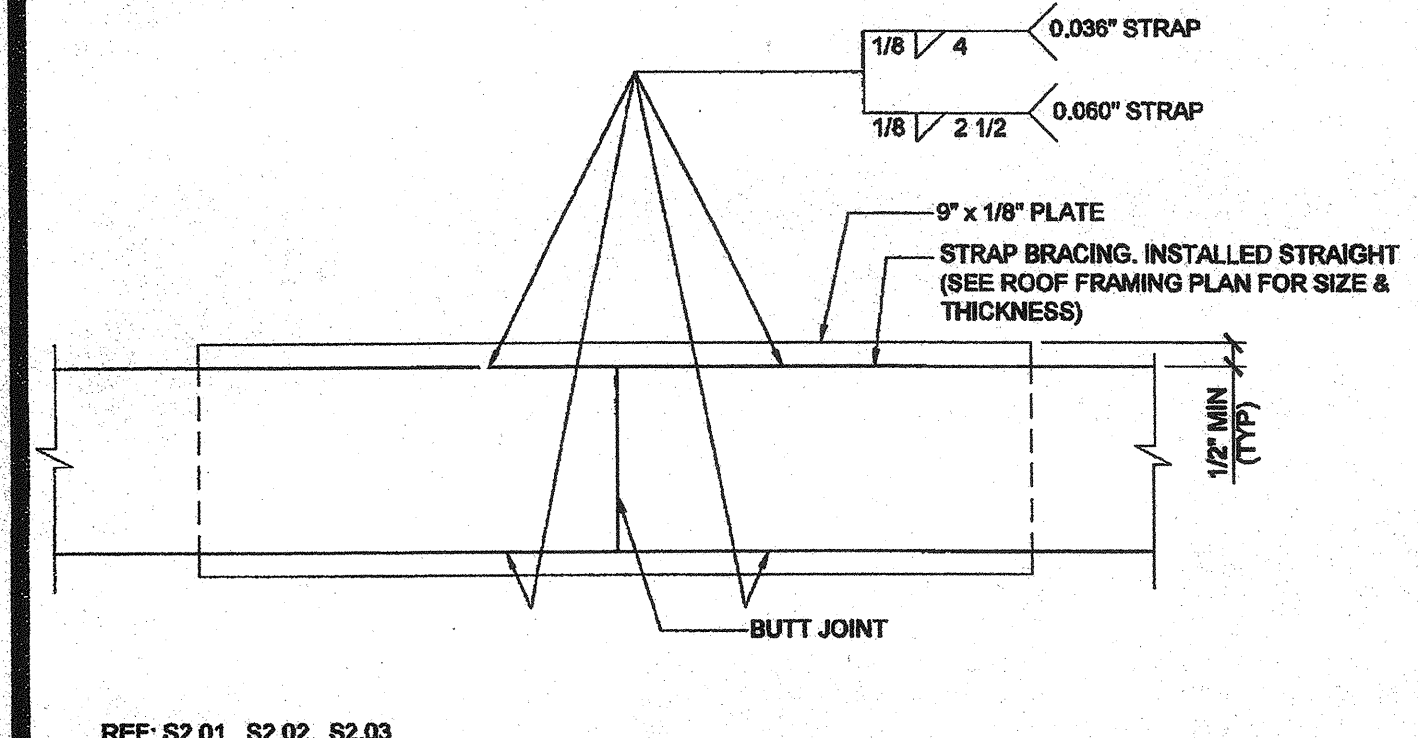
REF: S2.01, S2.02, S2.03  
**ROOF HEADER W/O PARAPET** SCALE: NTS 12



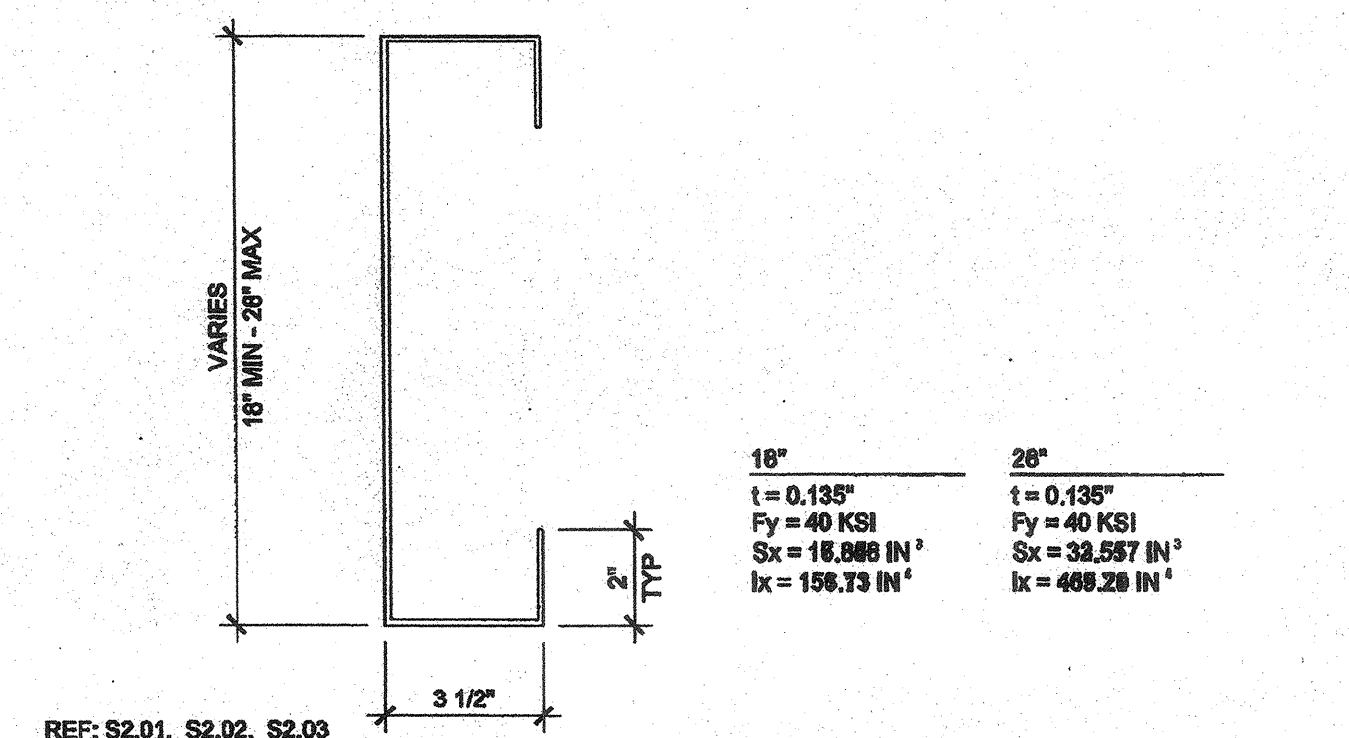
REF: S2.01, S2.02, S2.03  
**BEAM SPLICE** SCALE: 3\"/>



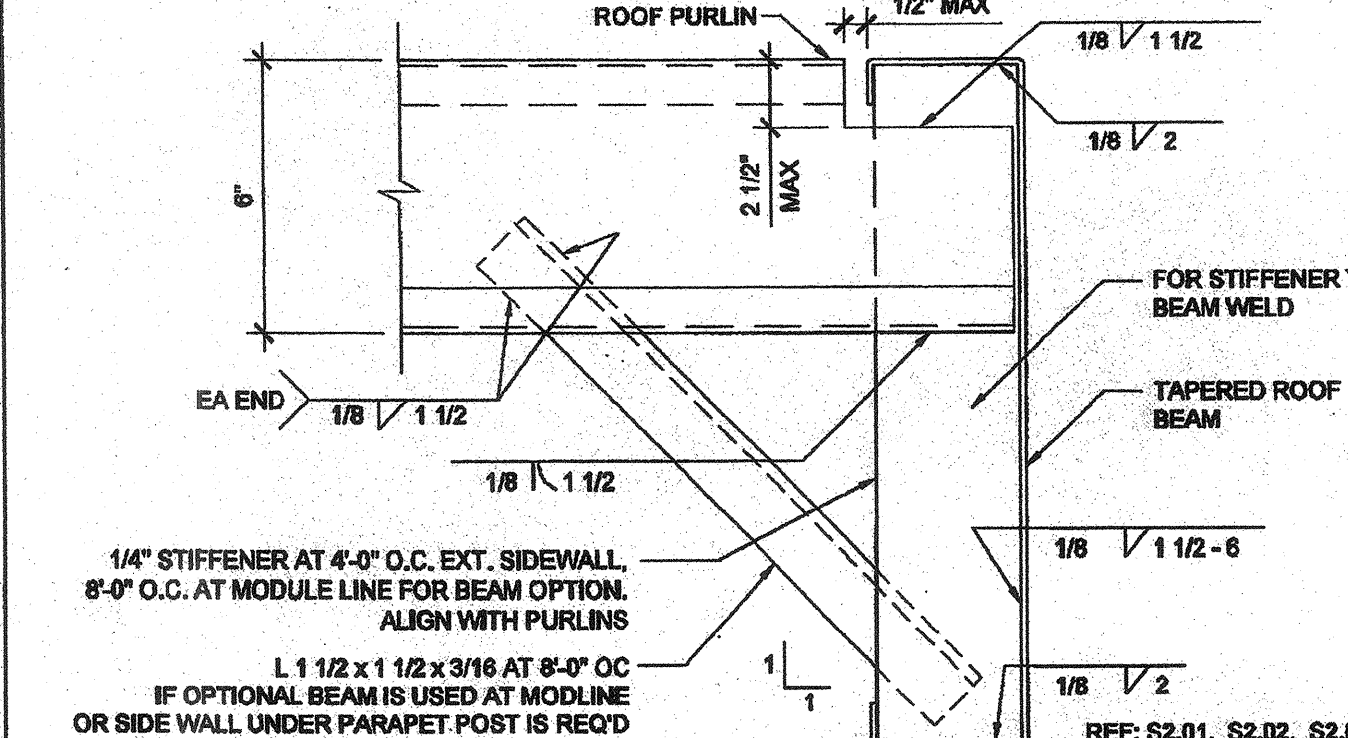
REF: S2.50  
**COLUMN AT ROOF - SECTION** SCALE: 3\"/>



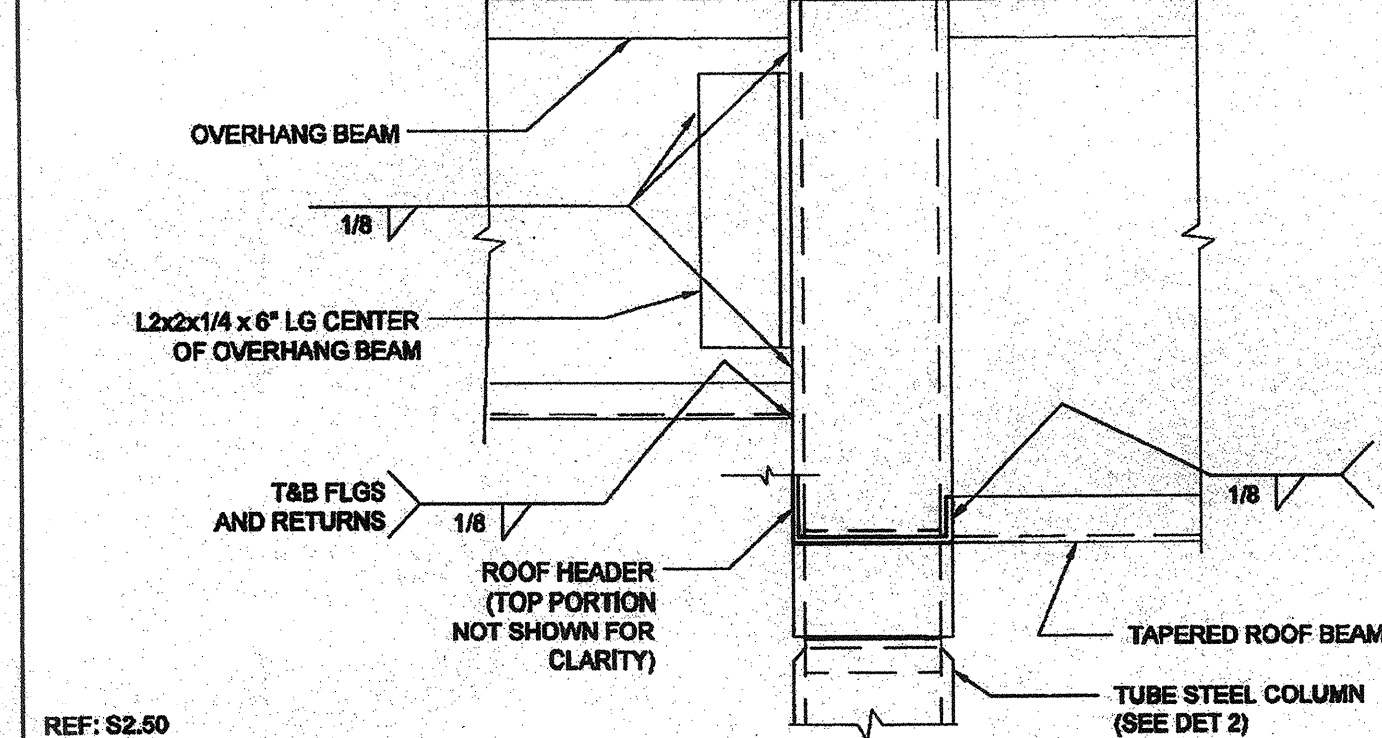
REF: S2.01, S2.02, S2.03  
**STRAP SPLICE DETAIL** SCALE: 6\"/>



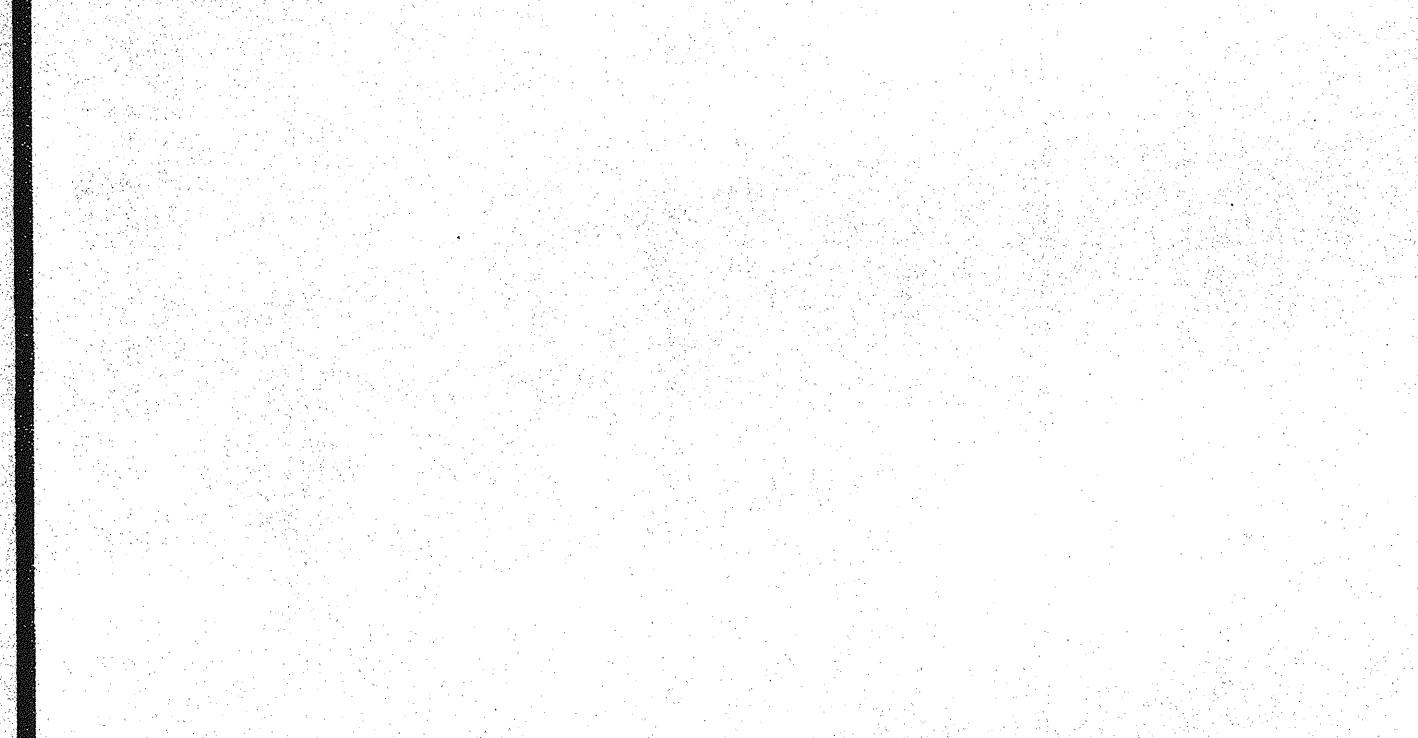
REF: S2.01, S2.02, S2.03  
**SIDE BEAM AND ROOF HEADER W/ PARAPET** SCALE: NTS 13



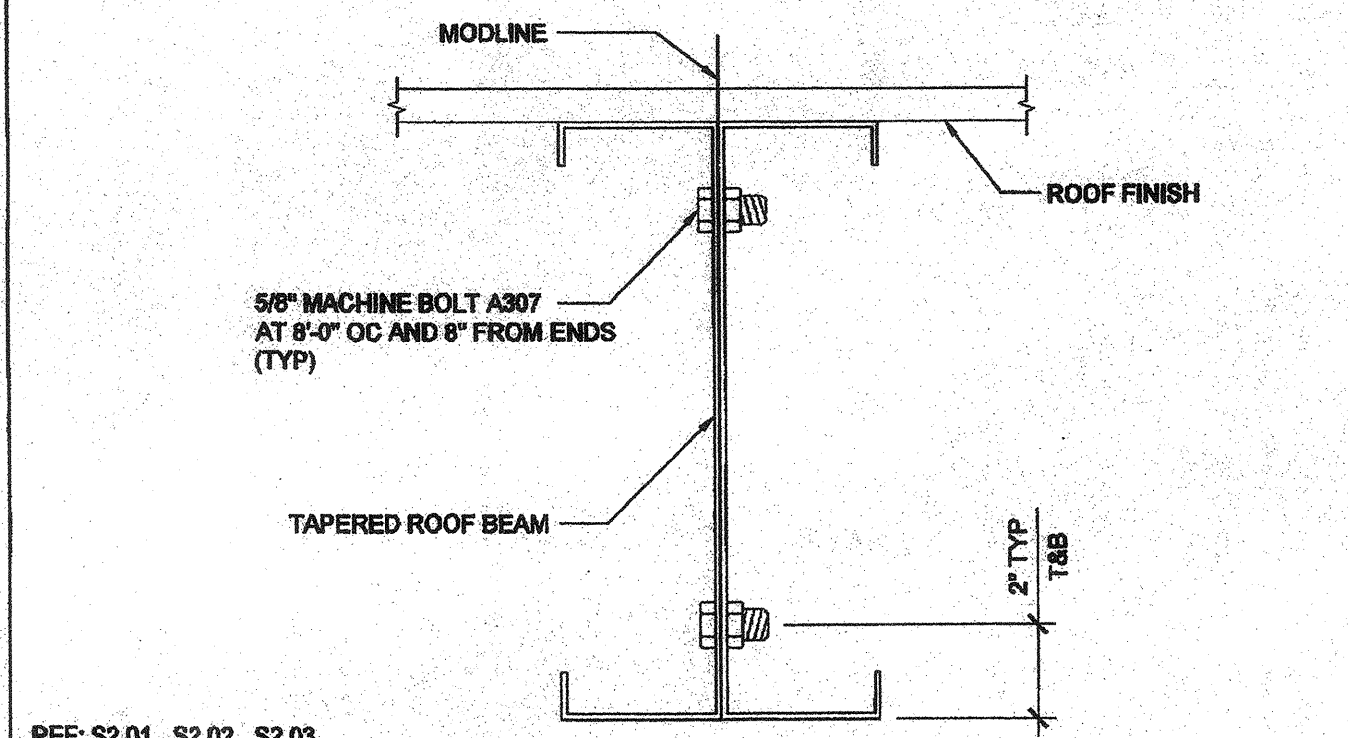
REF: S2.01, S2.02, S2.03  
**PURLIN TO ROOF BEAM @ STIFFENER** SCALE: 3\"/>



REF: S2.50  
**COLUMN AT ROOF OVERHANG** SCALE: 3\"/>



REF: S2.01, S2.02, S2.03  
**SIDEWALL BEAM PENETRATION** SCALE: 1 1/2\"/>



REF: S2.01, S2.02, S2.03  
**MODULE CONNECTION AT ROOF (OPTION)** SCALE: 3\"/>

IDENTIFICATION STAMP  
DIV. OF THE STATE ARCHITECT  
OFFICE OF REGULATION SERVICES

AP03 117549  
AC/FLS - SS TM  
Date 6/11/2010

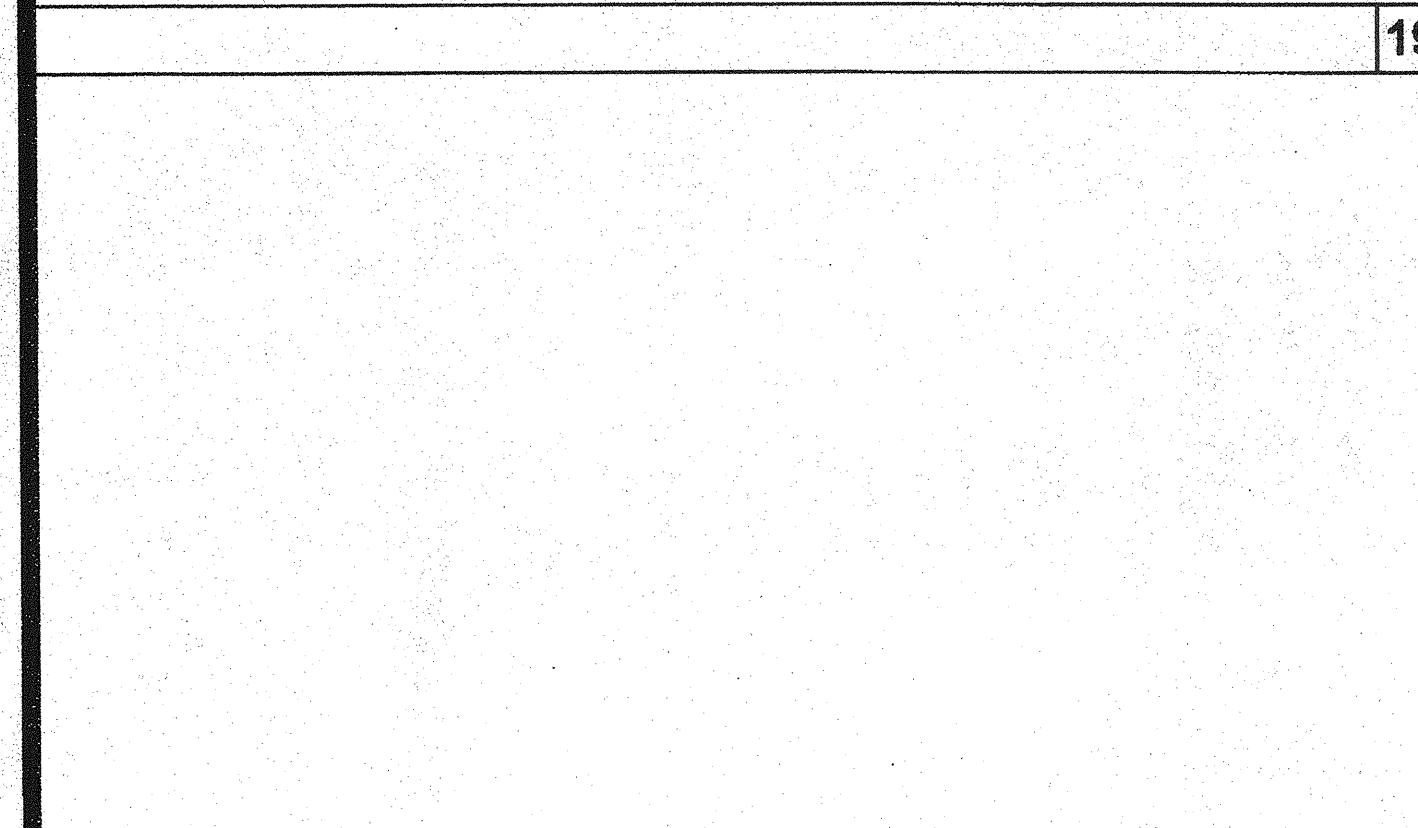
IDENTIFICATION STAMP  
DIV. OF THE STATE ARCHITECT

AP03 116979  
AC/FLS - SS  
Date 7/13/10

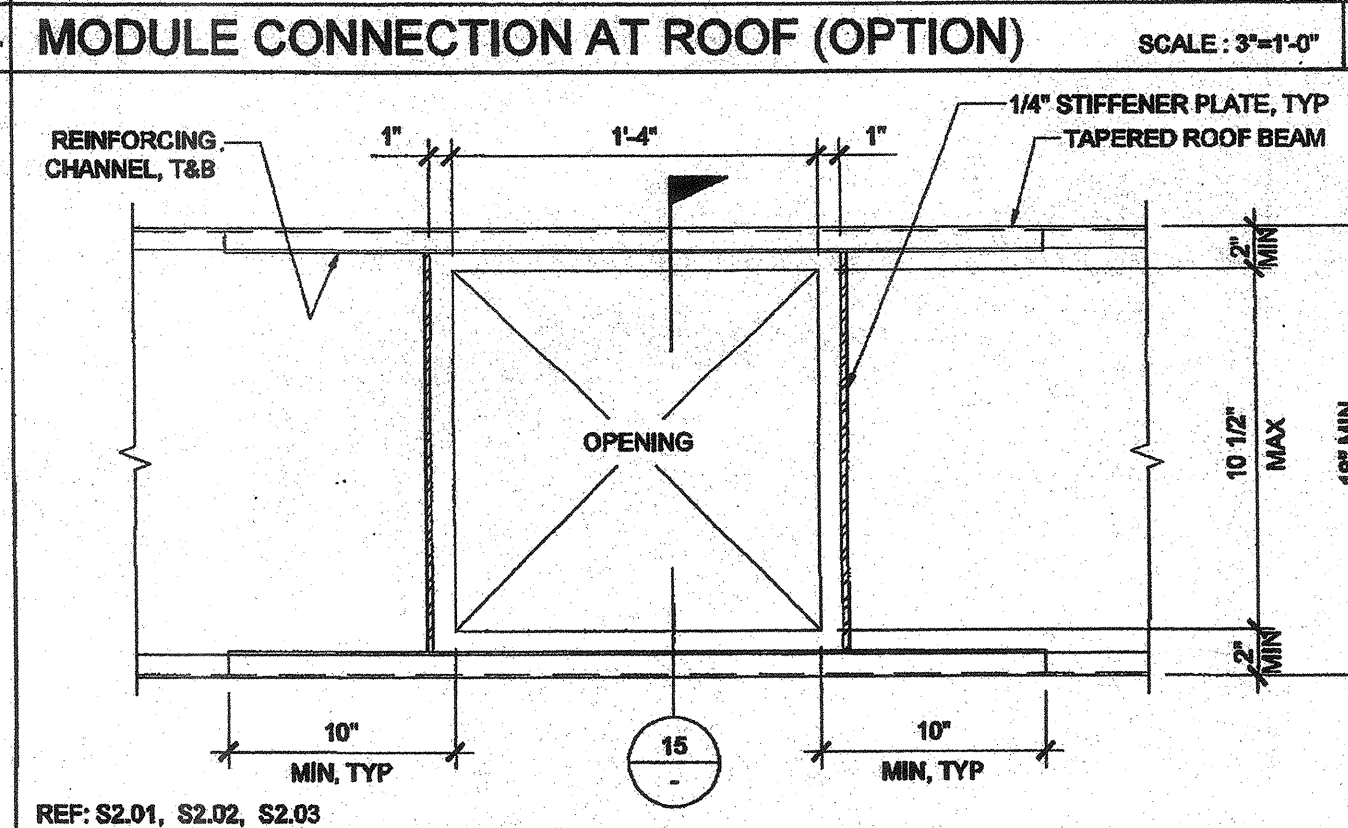
ORIGINAL PC STATE AGENCY APPROVAL

IDENTIFICATION STAMP  
DIV. OF THE STATE ARCHITECT  
OFFICE OF REGULATION SERVICES

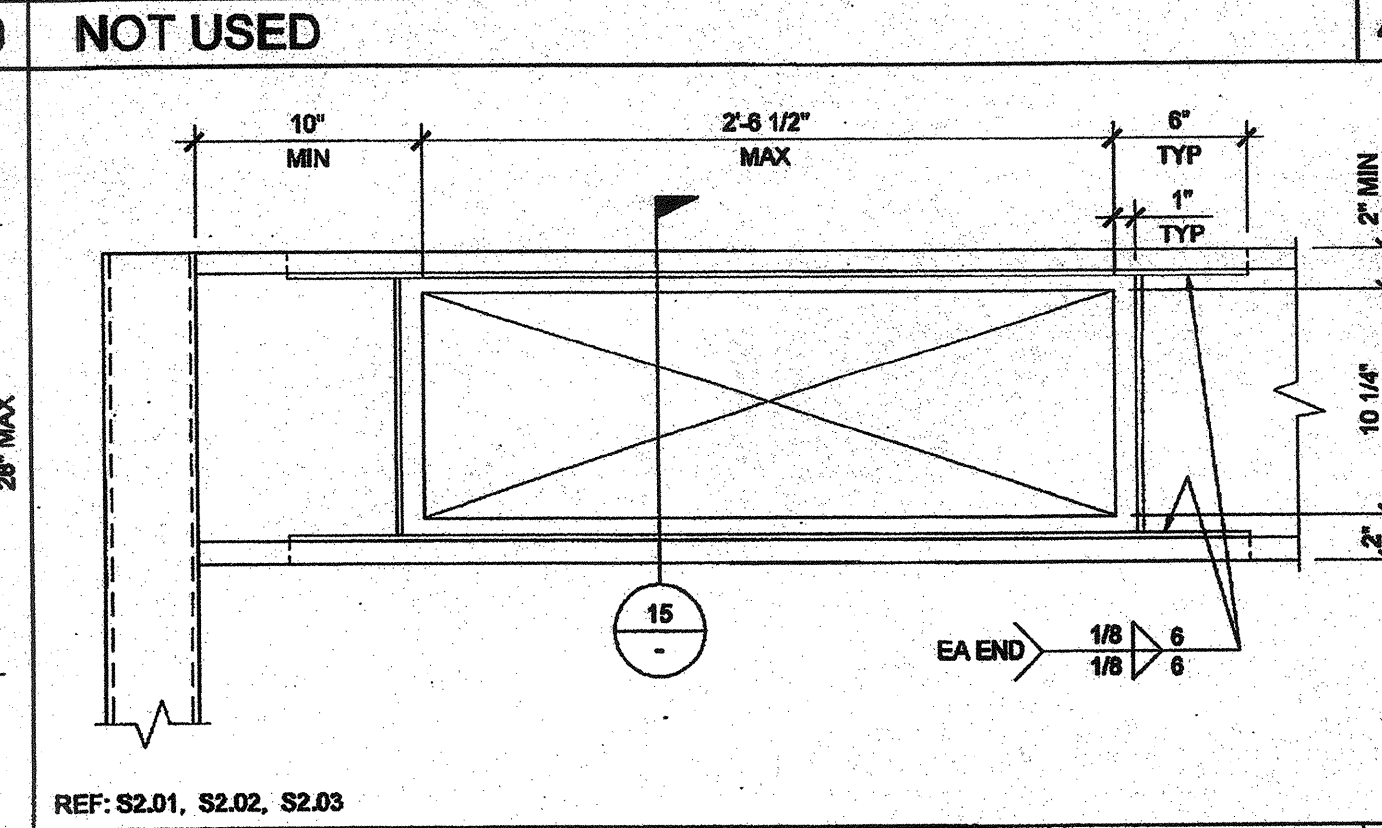
PC 04-112070  
AC/FLS - SS  
Date DEC 2 8 2011



REF: S2.01, S2.02, S2.03, S2.50  
**WEB OPENING AT ROOF BEAM (OPTION)** SCALE: 3\"/>

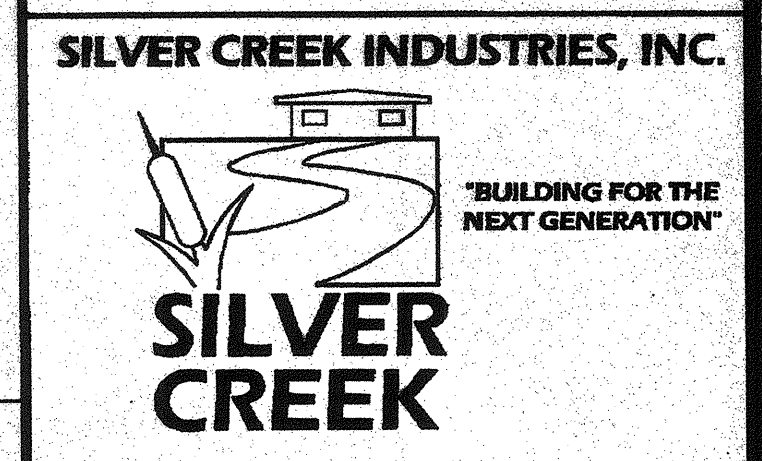


REF: S2.01, S2.02, S2.03  
**OPENING AT ROOF BEAM (OPTION)** SCALE: 1 1/2\"/>



REF: S2.01, S2.02, S2.03  
**OPENING AT HEADER** SCALE: 1 1/2\"/>

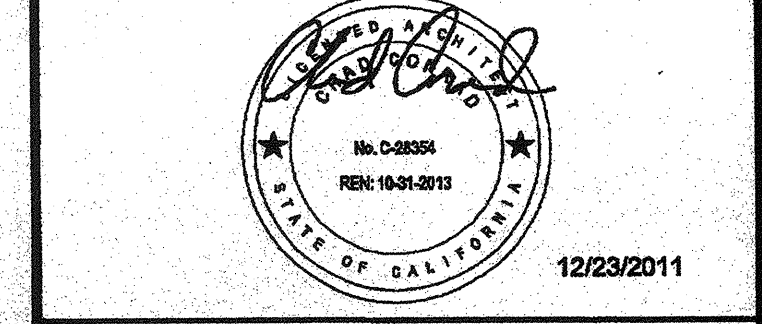
THESE DRAWINGS AND ALL MATERIAL CONTAINED HEREIN ARE THE PROPERTY OF SILVERCREEK INDUSTRIES, INC. (SCI Inc) AND SHALL NOT BE REPRODUCED, COPIED OR OTHERWISE DISPOSED OF DIRECTLY OR INDIRECTLY AND SHALL NOT BE USED IN WHOLE OR IN PART TO ASSIST IN THE MAKING OF OR FOR THE PURPOSE OF FURNISHING ANY INFORMATION FOR THE MAKING OF DRAWINGS, PRINTS, APPARATUS OR PARTS THEREOF WITHOUT THE FULL KNOWLEDGE AND WRITTEN CONSENT OF SCI Inc. ALL PATENTABLE MATERIAL CONTAINED HEREIN AND ORIGINATING WITH SCI Inc SHALL BE THE PROPERTY OF SCI Inc.



195 EAST MORGAN FERRIS, CALIFORNIA 92571  
PHONE: 951-943-5393 FAX: 951-943-2211

PROJECT NAME:  
**CLASS LEASING CLASSROOMS BLDG'S**

SHEET TITLE:  
**ROOF FRAMING DETAILS MONO SLOPE**



PROJECT SPECIFIC STATE AGENCY APPROVAL

IDENTIFICATION STAMP  
DIV. OF THE STATE ARCHITECT  
OFFICE OF REGULATION SERVICES

04 113850  
AC/FLS - SS TM  
Date 6/11/2010

ORIGINAL PC STATE AGENCY APPROVAL

IDENTIFICATION STAMP  
DIV. OF THE STATE ARCHITECT  
OFFICE OF REGULATION SERVICES

PC 04-112070  
AC/FLS - SS  
Date DEC 2 8 2011

REVISIONS


SILVER CREEK INDUSTRIES  
30' x 32' PC

PROJECT NO:  
DRAWN BY:  
SCALE: AS NOTED  
DATE: 6-17-11  
P.C. SHEET NUMBER  
**S-2.50**