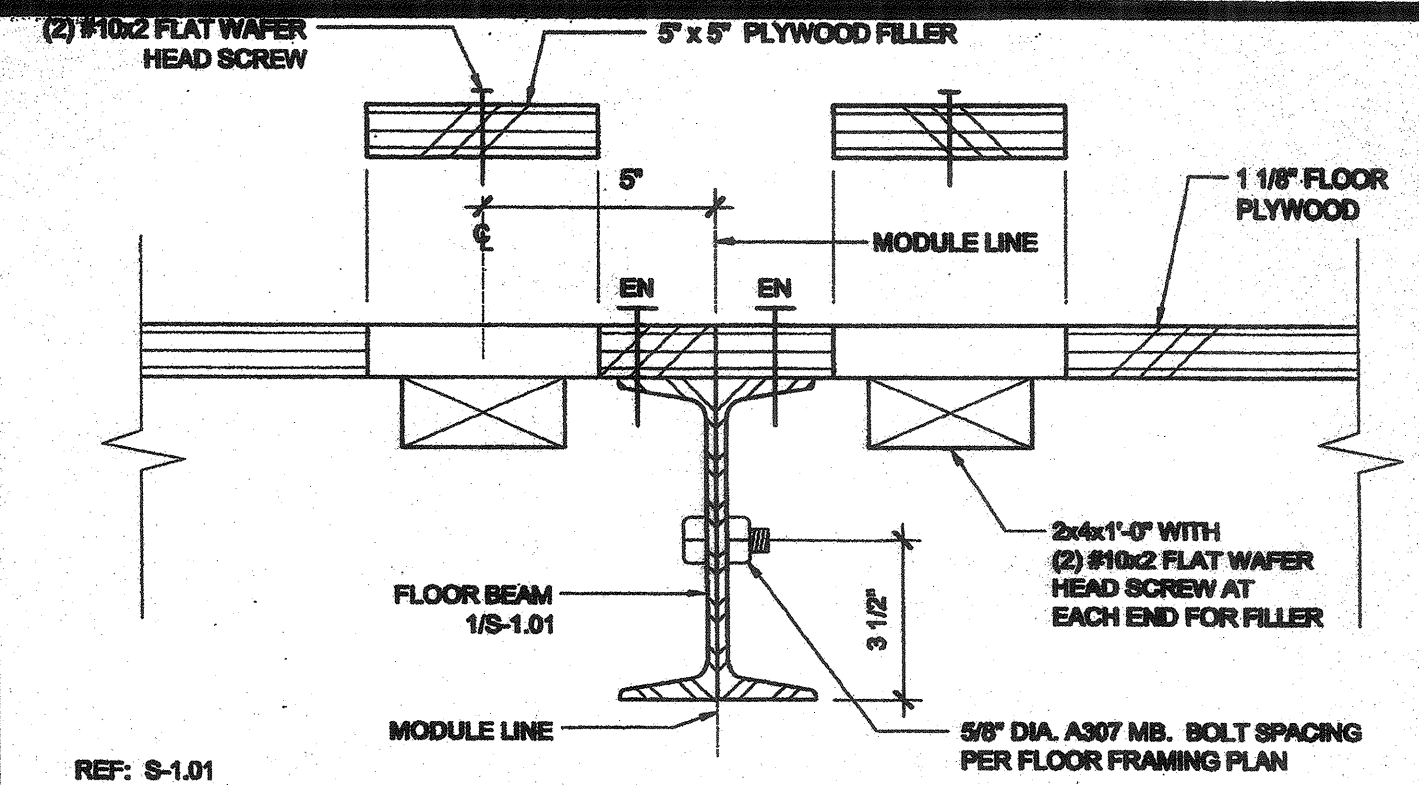
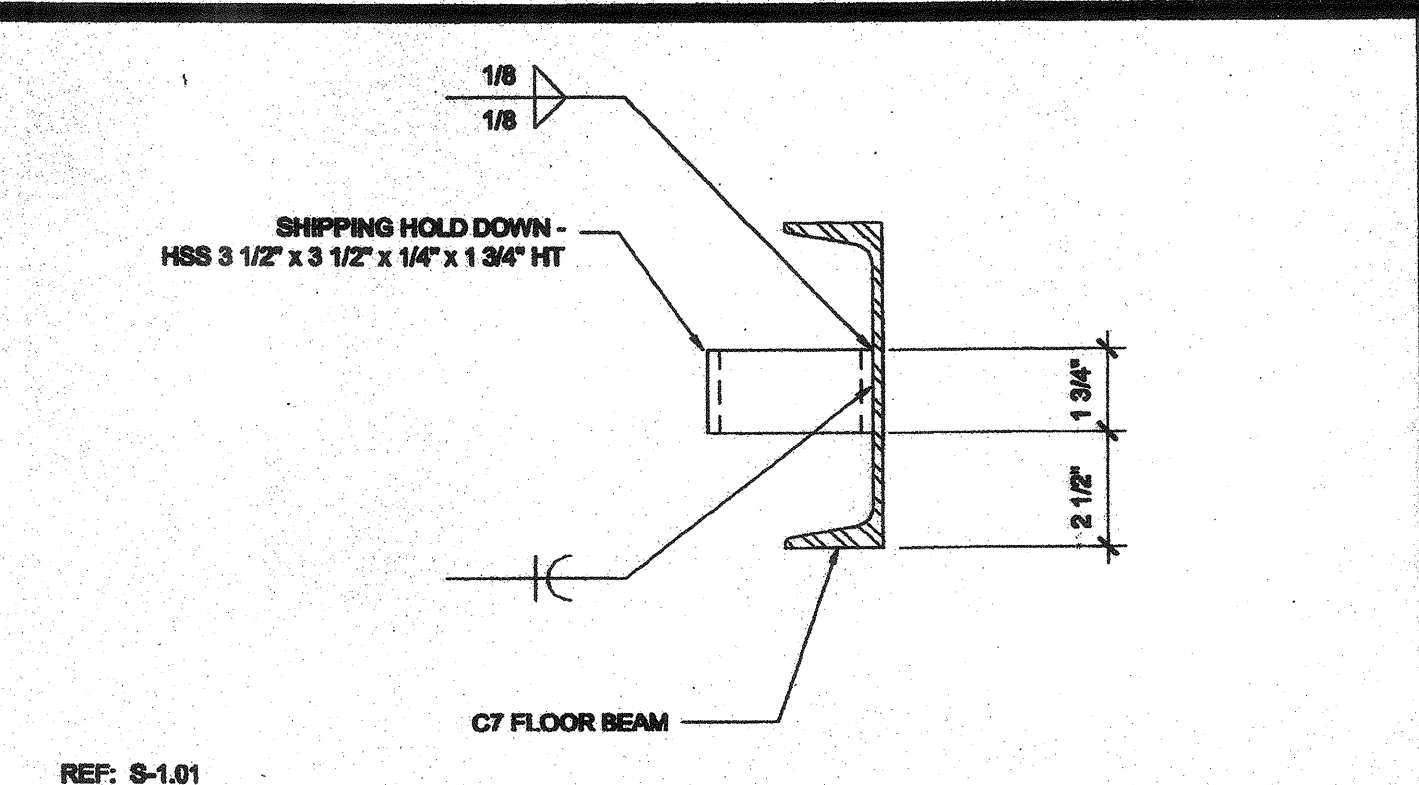


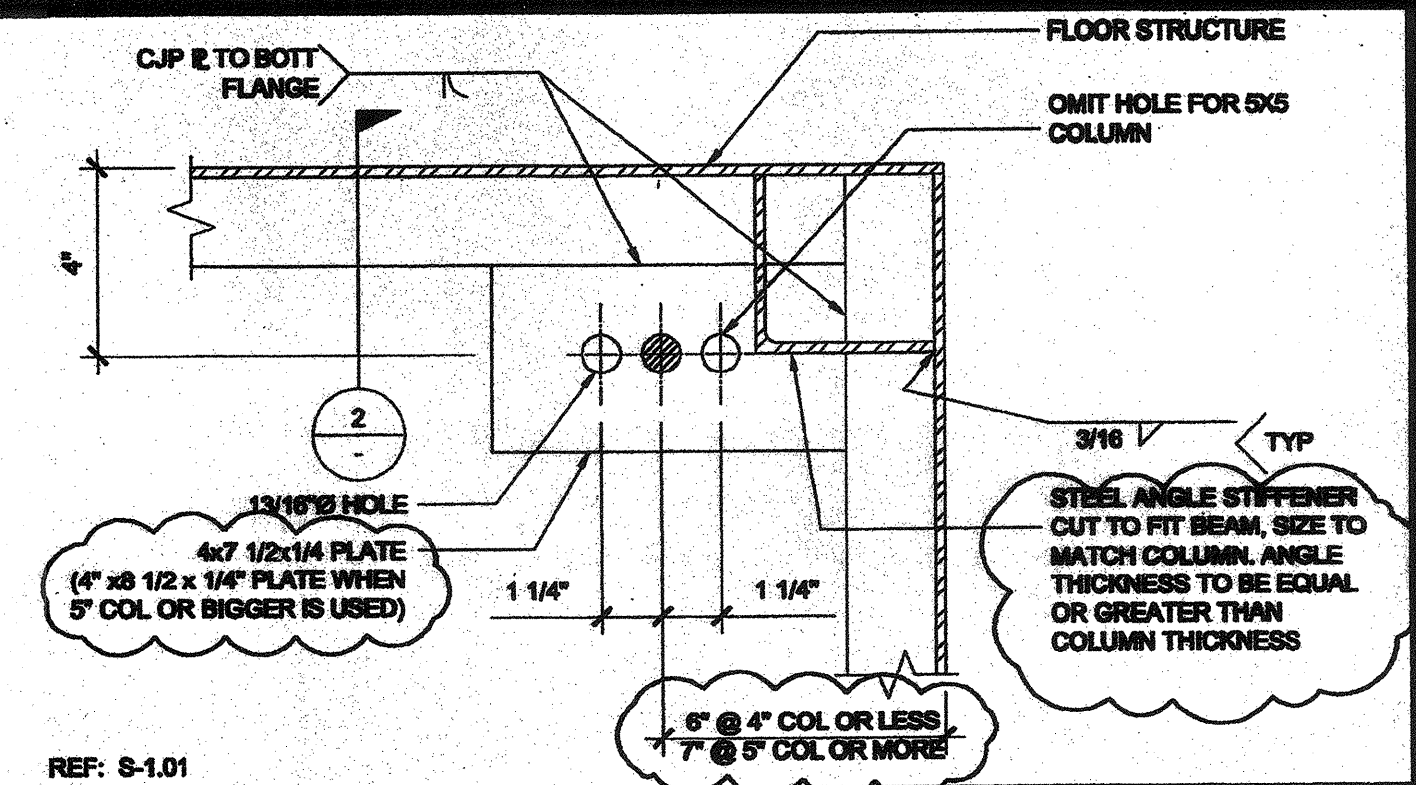
16 MODULE LINE - BOLTED CONNECTION SCALE: 3\"/>



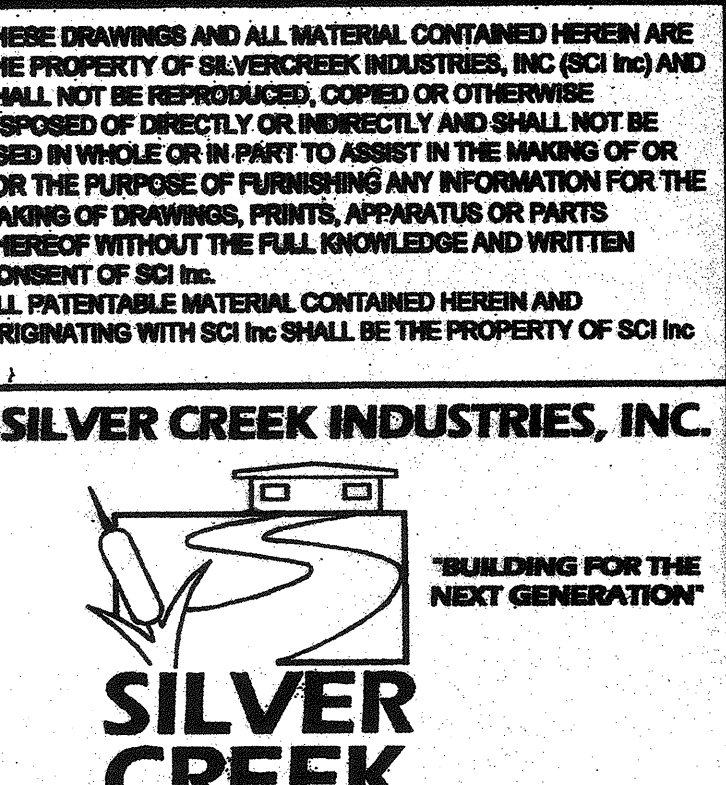
17 MODULE LINE CONNECTION (OPTION 1) SCALE: 3\"/>



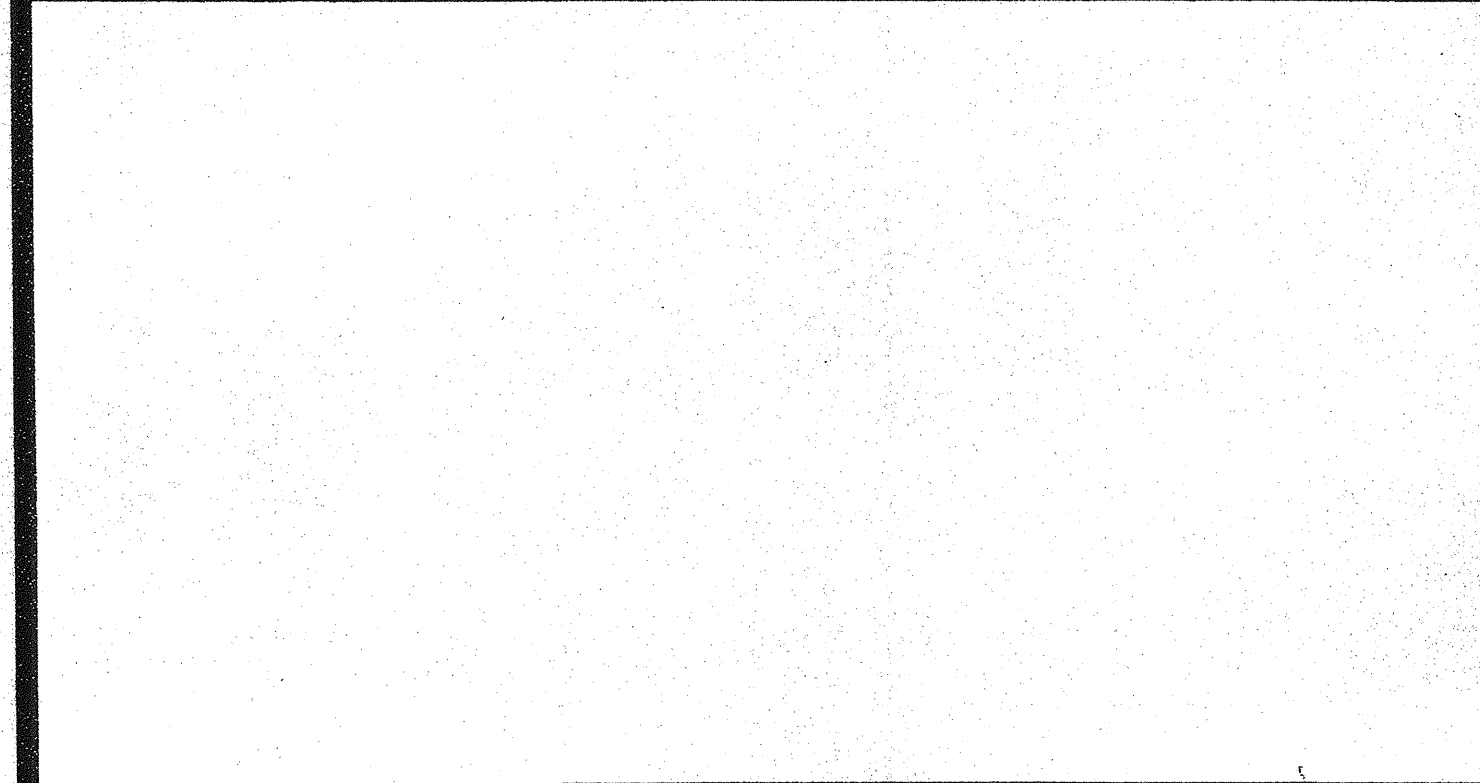
18 CORNER ANCHOR PLATE SCALE: 3\"/>



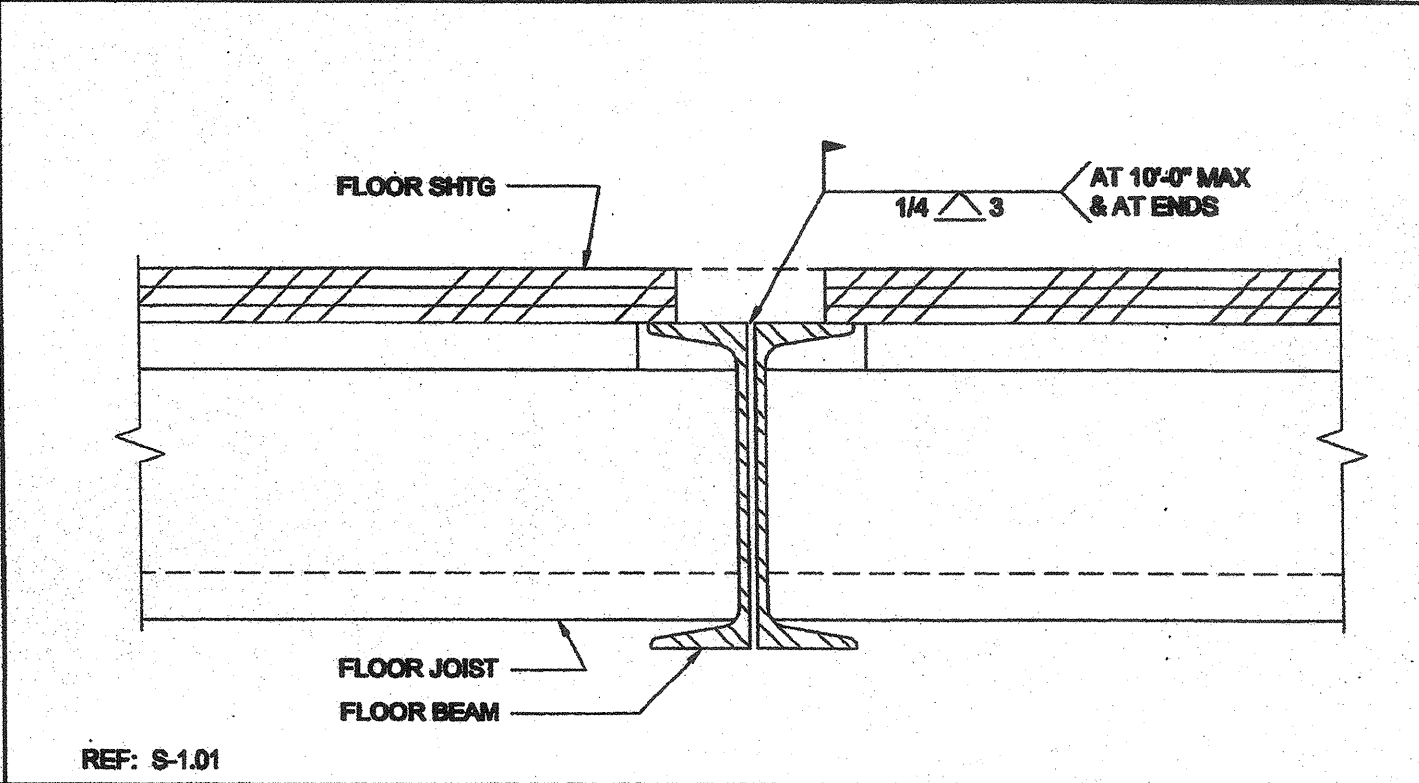
19 MODULE LINE CONNECTION (OPTION 2) SCALE: 3\"/>



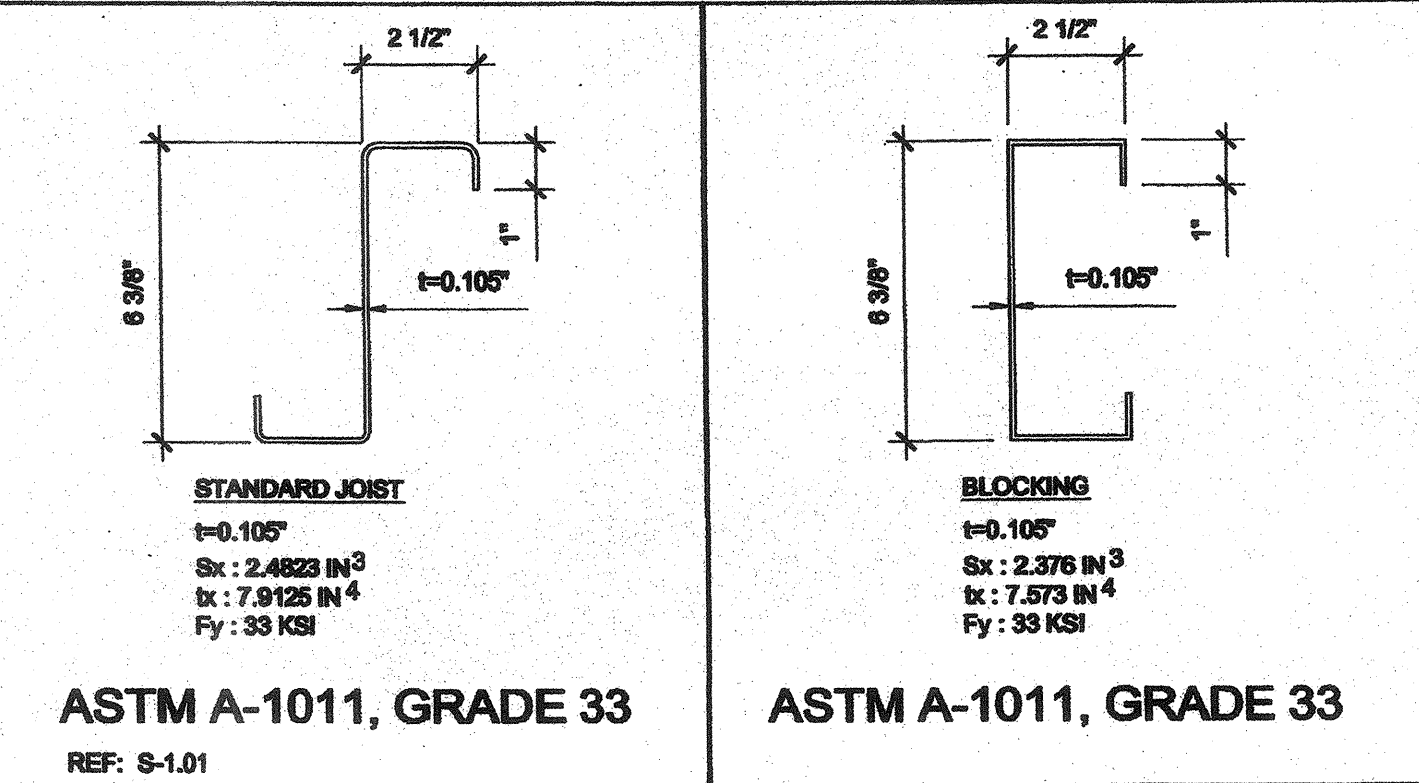
20 FLOOR BEAM SPLICE SCALE: 3\"/>



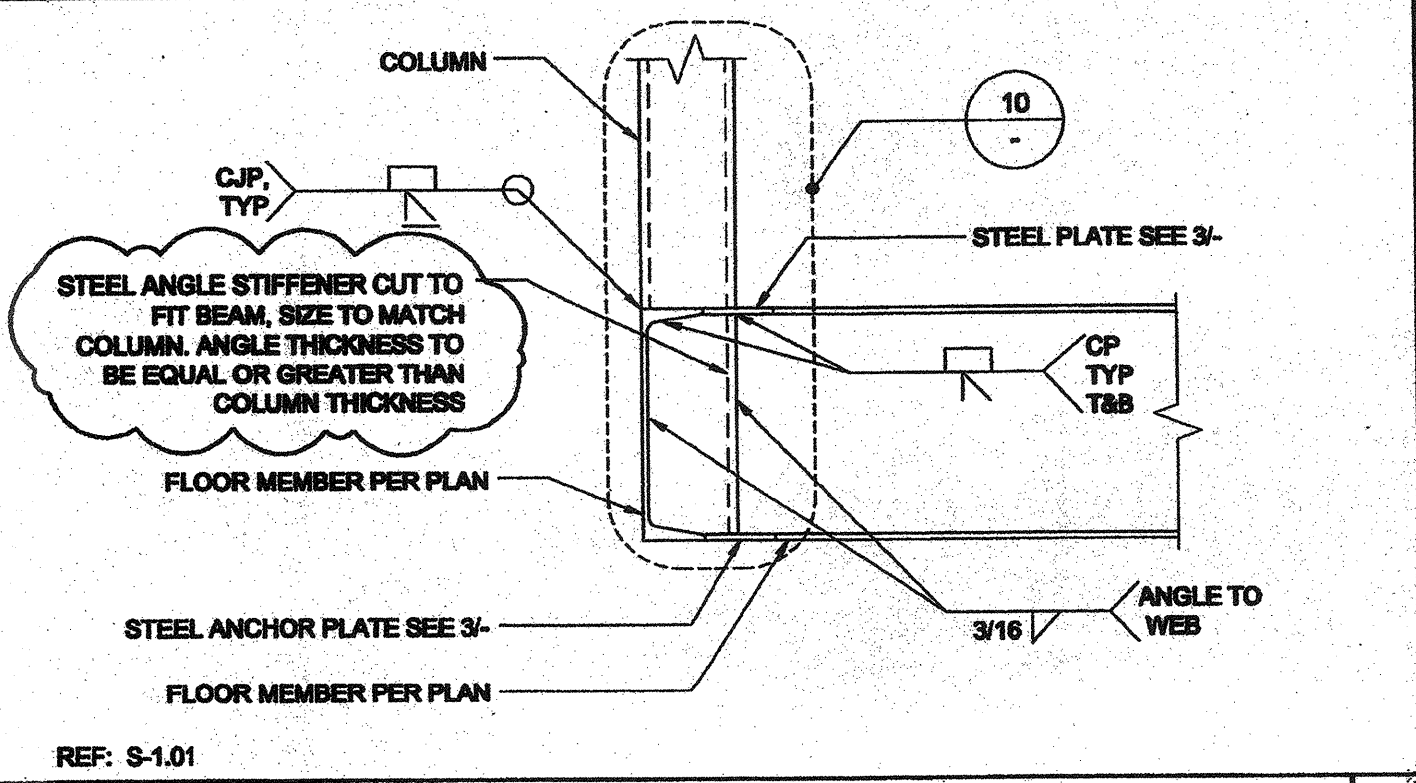
21 SHIPPING HOLD DOWN DETAIL SCALE: 3\"/>



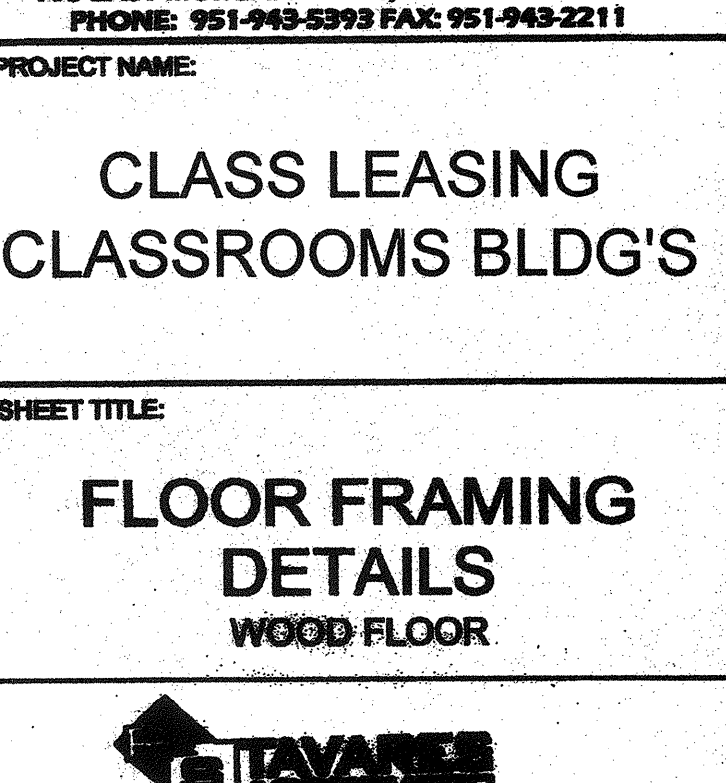
22 FLOOR JOIST SCALE: 3\"/>



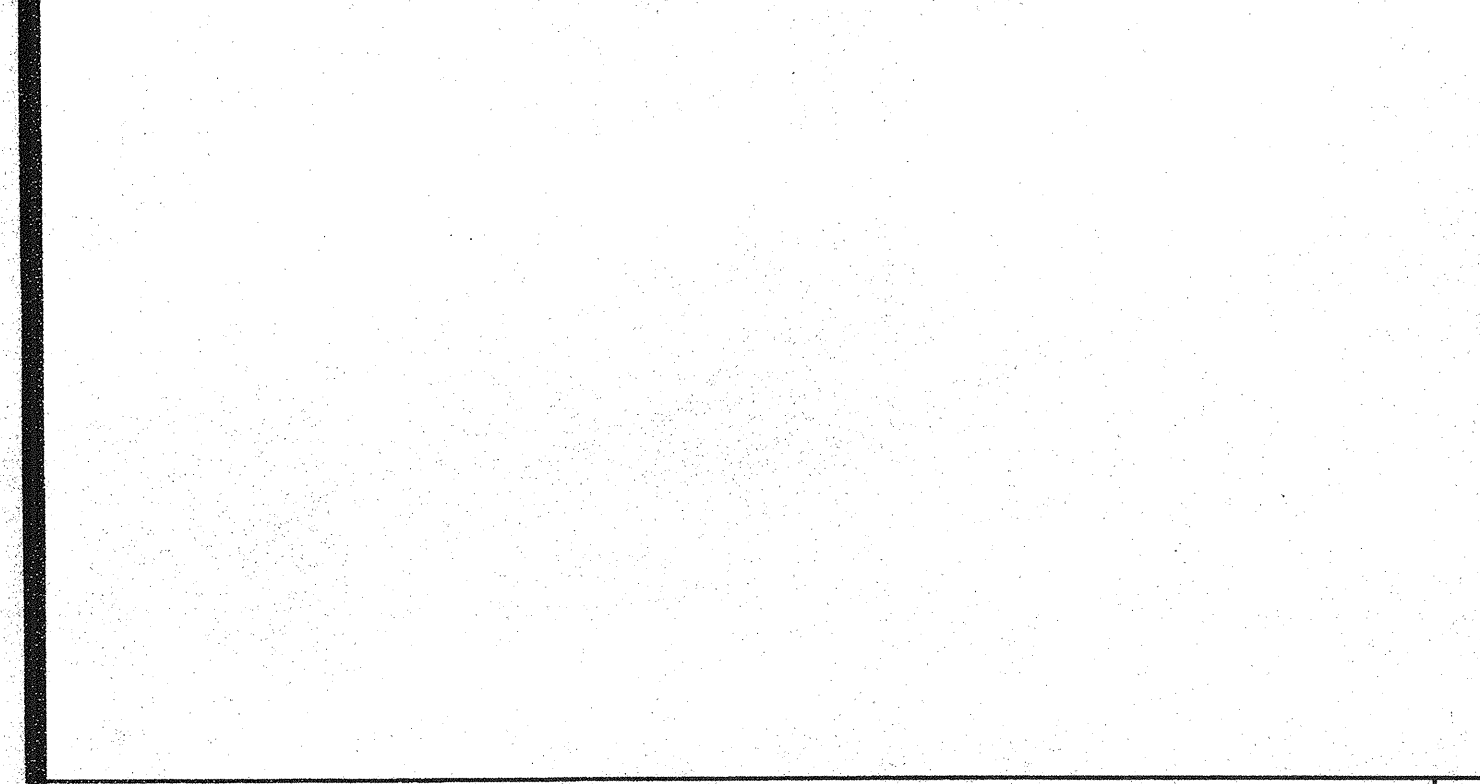
23 BLOCKING SCALE: 3\"/>



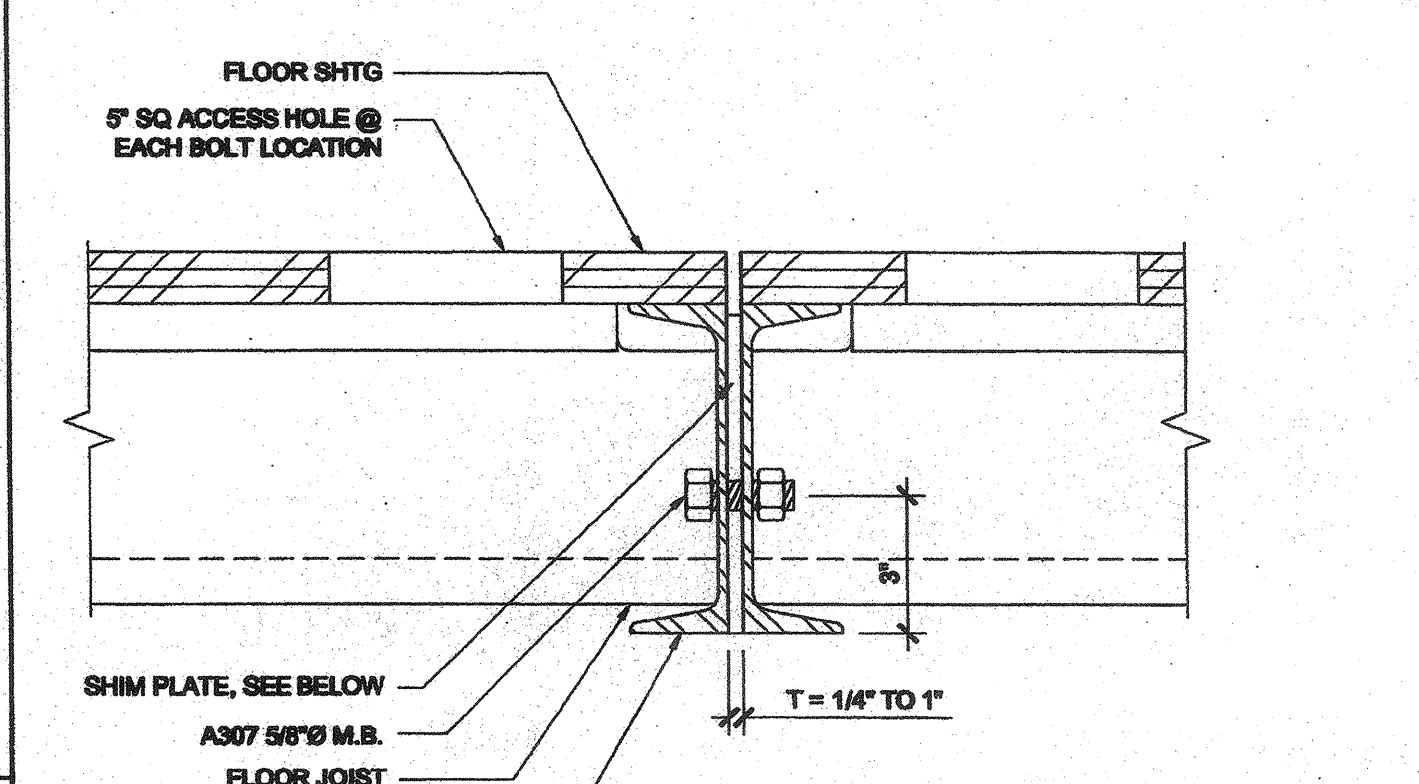
24 FLOOR JOIST HOLES (OPTIONAL) SCALE: 1/8\"/>



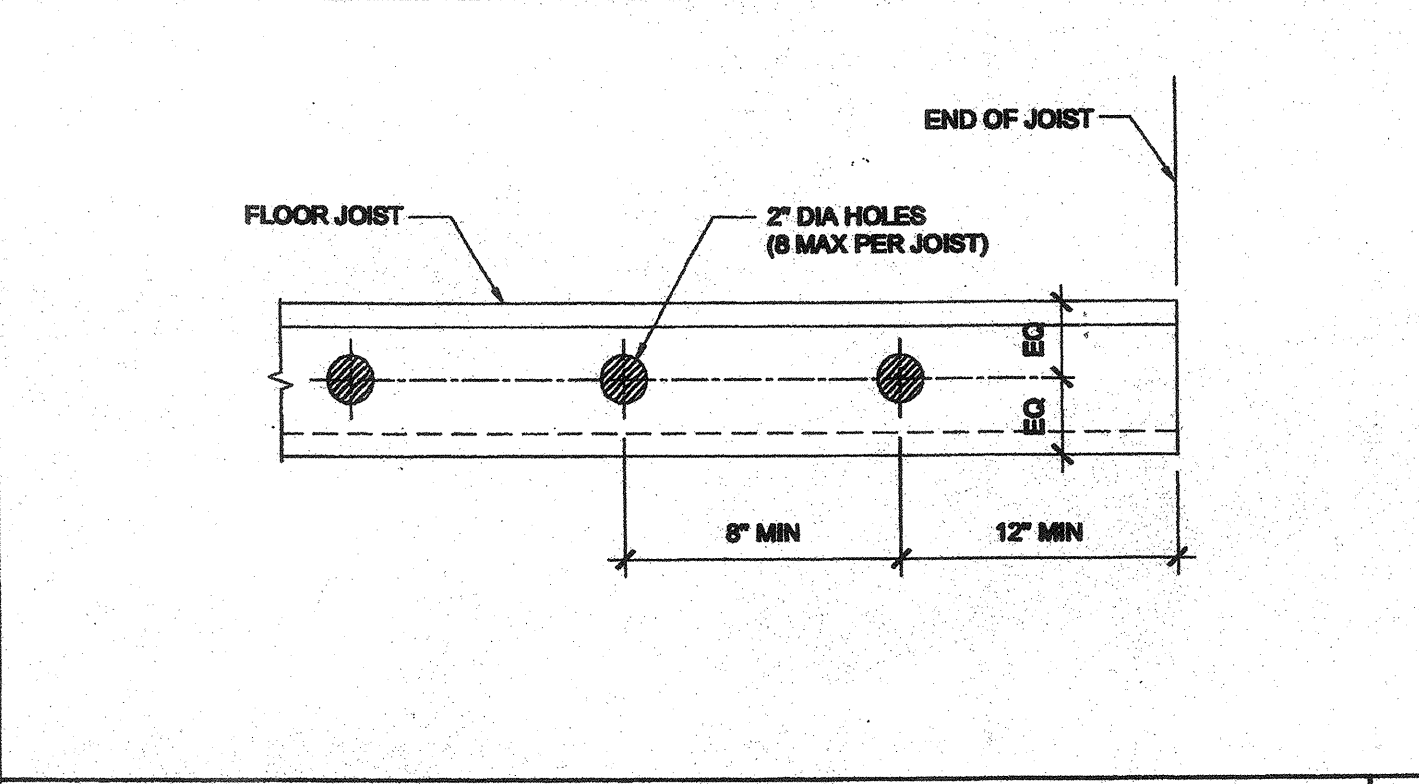
25 FLOOR BEAM TO COLUMN CONNECTION SCALE: 1 1/2\"/>



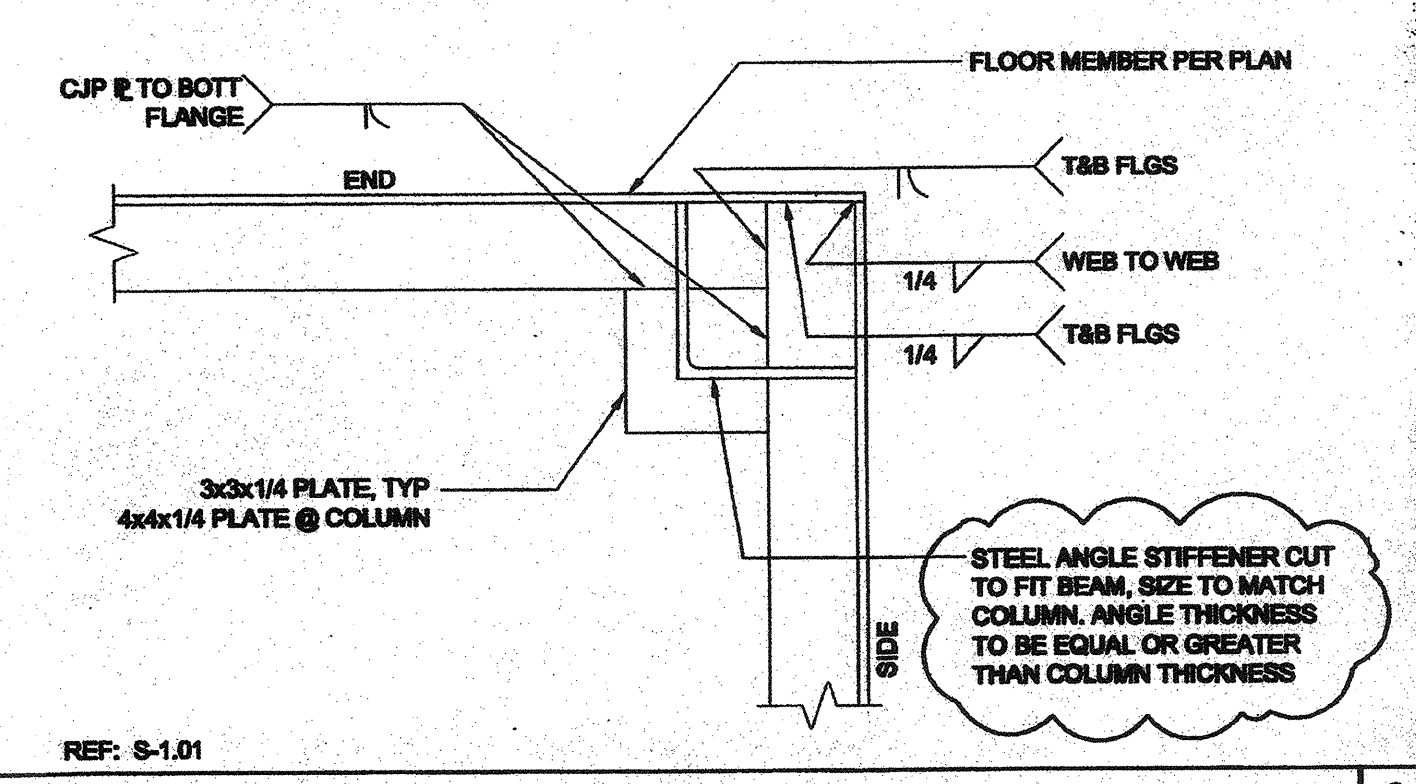
26 CORNER ANCHOR PLATE SCALE: 3\"/>



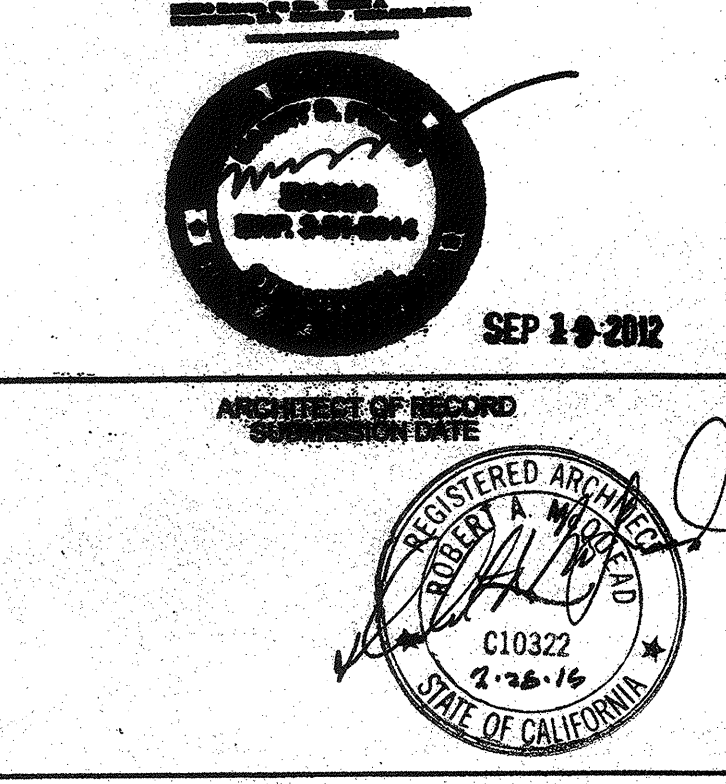
27 TUBE COLUMN SCALE: 1/8\"/>



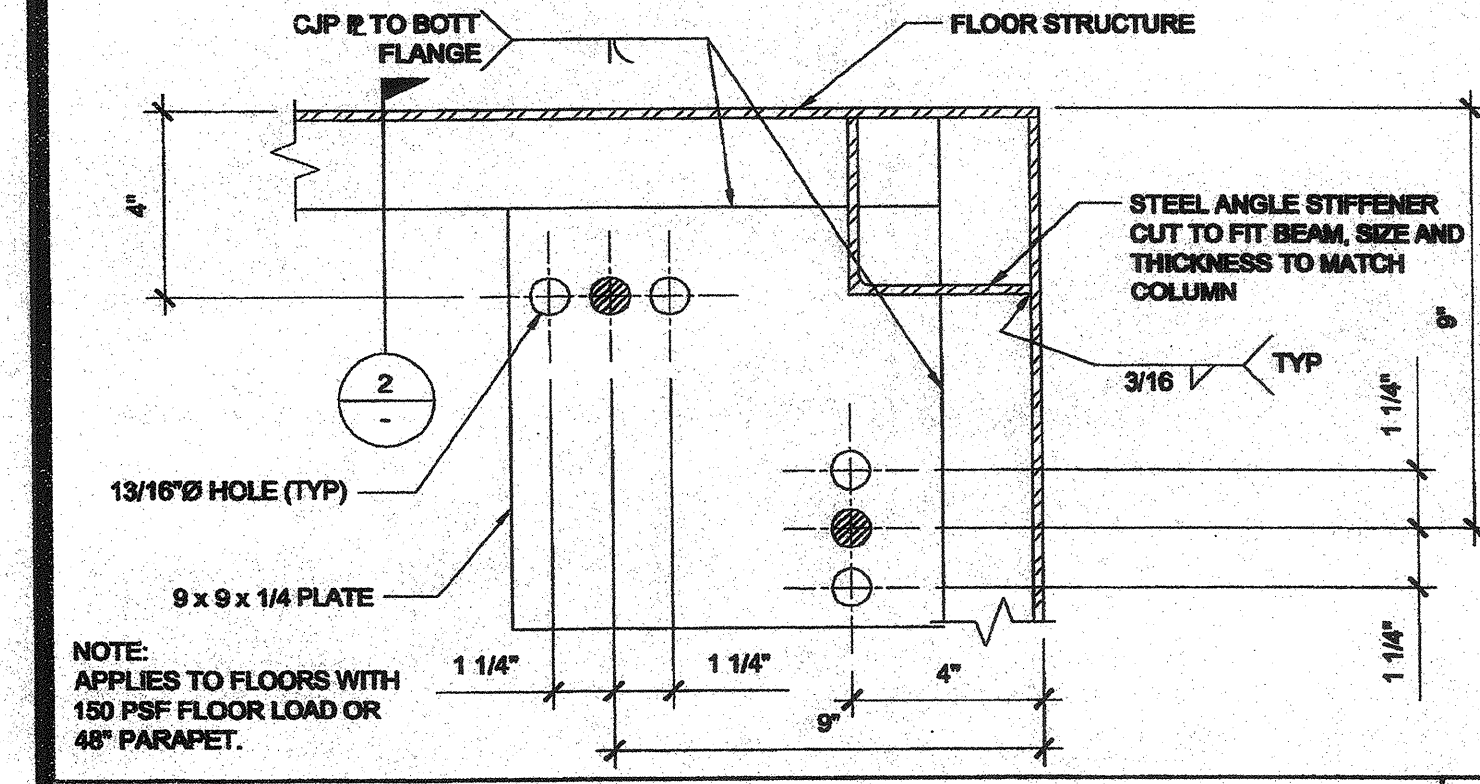
28 BLOCKING TO END BEAM SCALE: 3\"/>



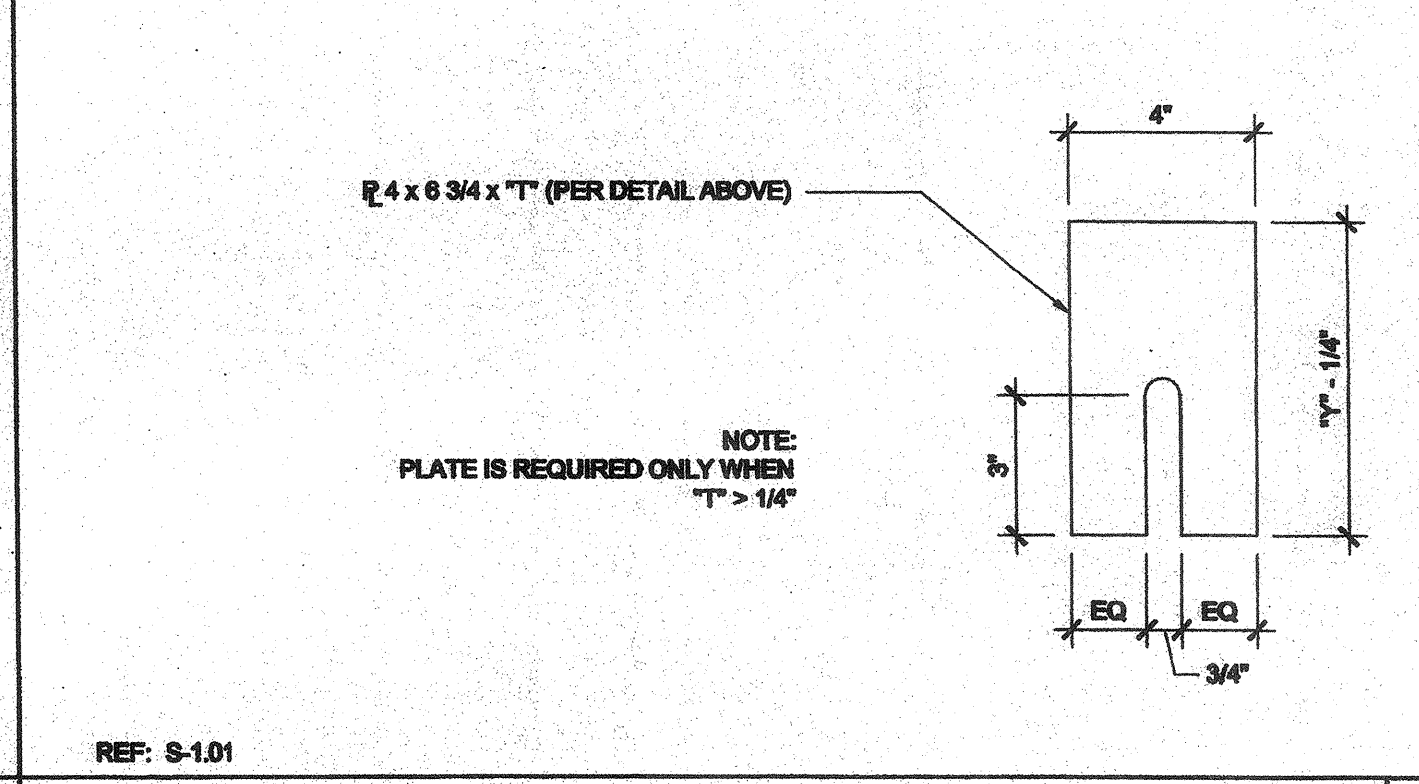
29 JOIST TO SIDE BEAM SCALE: 3\"/>



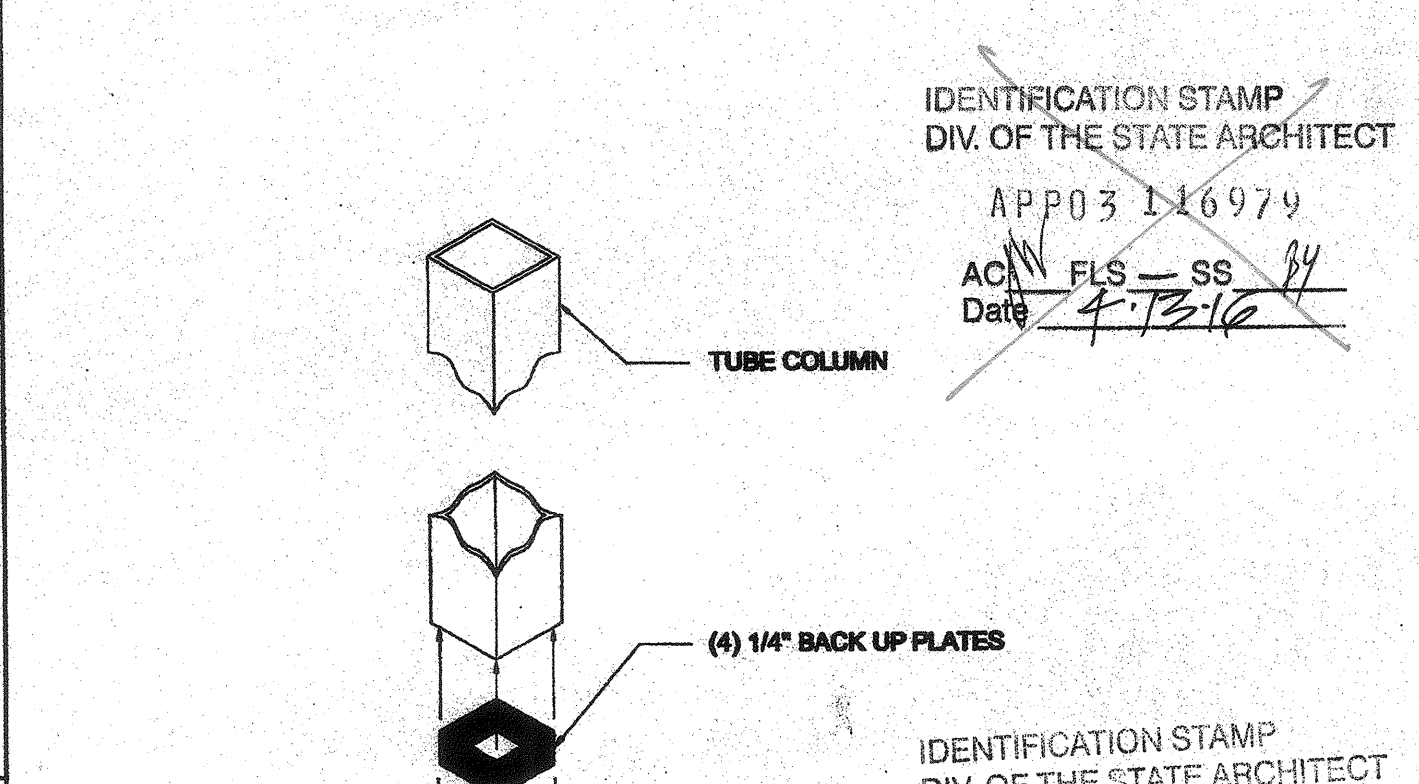
30 COLUMN CONNECTION AT FLOOR SCALE: NTS



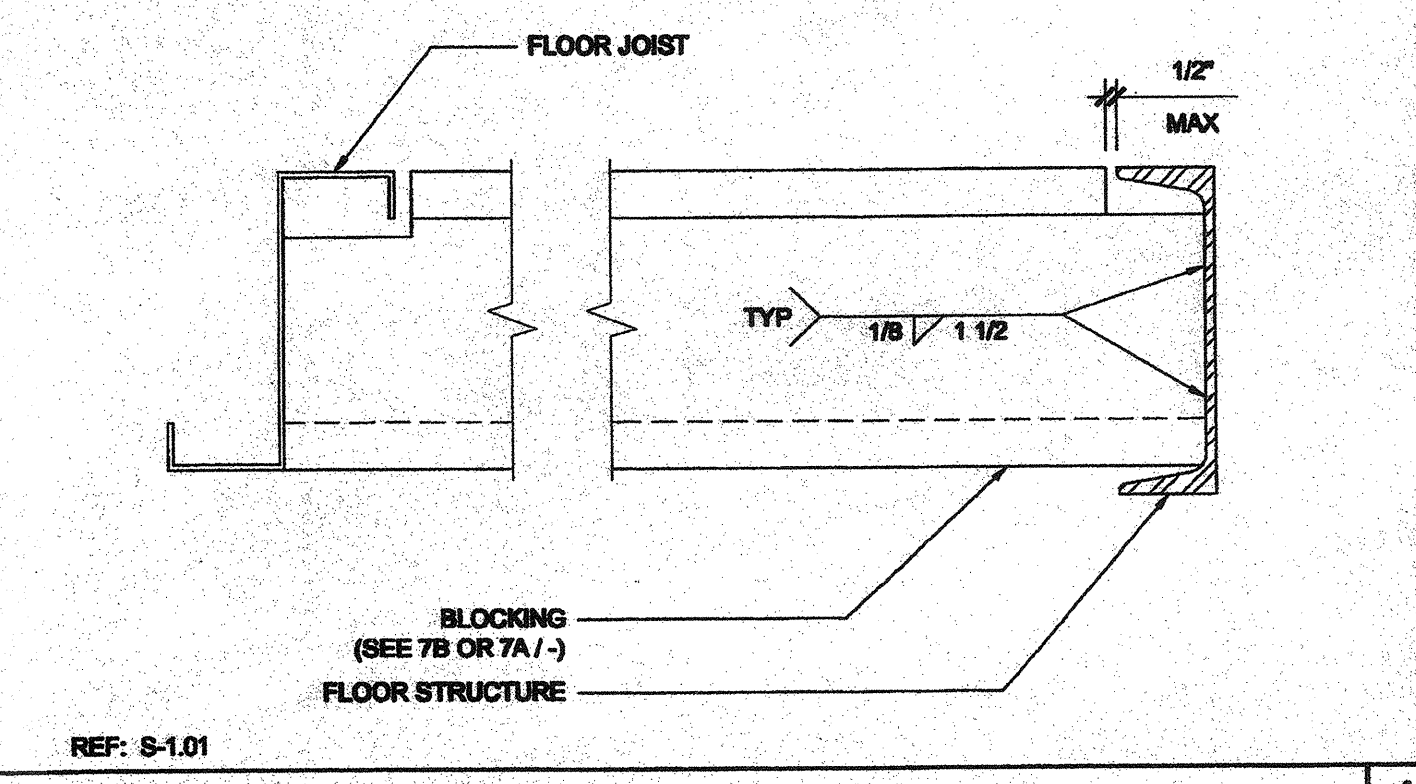
31 CORNER ANCHOR PLATE SCALE: 3\"/>



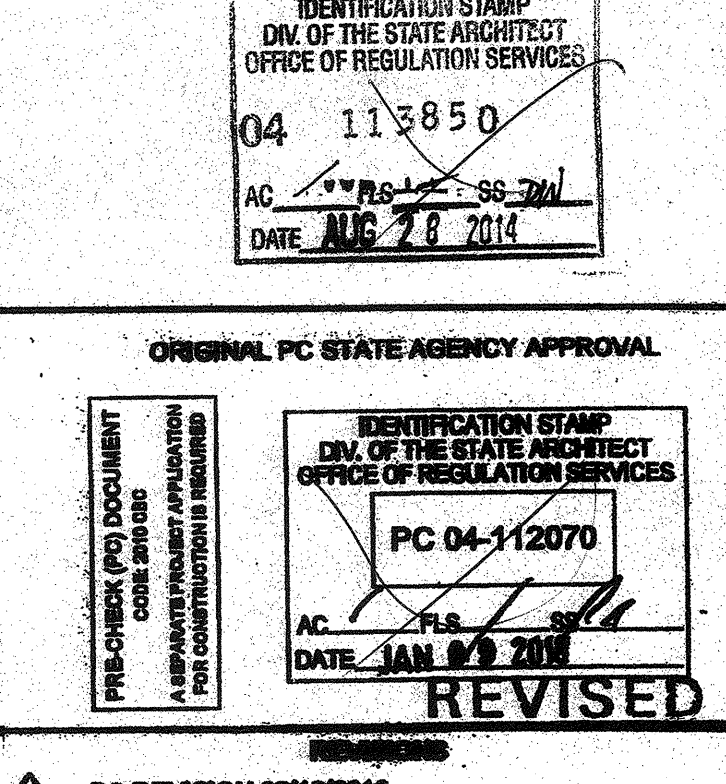
32 FLOOR BEAM SPLICE SCALE: 3\"/>



33 COLUMN CONNECTION AT FLOOR SCALE: NTS



34 JOIST TO SIDE BEAM SCALE: 3\"/>



35 JOIST TO SIDE BEAM SCALE: 3\"/>

THESE DRAWINGS AND ALL MATERIAL CONTAINED HEREIN ARE THE PROPERTY OF SILVERCREEK INDUSTRIES, INC (SCI Inc) AND SHALL NOT BE REPRODUCED, COPIED OR OTHERWISE DISPOSED OF DIRECTLY OR INDIRECTLY AND SHALL NOT BE USED IN WHOLE OR IN PART TO ASSIST IN THE MAKING OF OR FOR THE PURPOSE OF FURNISHING ANY INFORMATION FOR THE MAKING OF DRAWINGS, PRINTS, APPARATUS OR PARTS THEREOF WITHOUT THE FULL KNOWLEDGE AND WRITTEN CONSENT OF SCI Inc. ALL PATENTABLE MATERIAL CONTAINED HEREIN AND ORIGINATING WITH SCI Inc SHALL BE THE PROPERTY OF SCI Inc.

**SILVER CREEK INDUSTRIES, INC.**

**SILVER CREEK**

195 EAST MORGAN FERRIS, CALIFORNIA 92571  
PHONE: 951-943-5393 FAX: 951-943-2211

PROJECT NAME:

**CLASS LEASING CLASSROOMS BLDG'S**

SHEET TITLE:

**FLOOR FRAMING DETAILS WOOD FLOOR**

SEP 19 2012

REGISTERED ARCHITECT

STATE OF CALIFORNIA

PROJECT SPECIFIC STATE AGENCY APPROVAL

IDENTIFICATION STAMP  
DIV. OF THE STATE ARCHITECT  
OFFICE OF REGULATION SERVICES  
04 118850  
AC 11/16/12 SS 700  
DATE AUG 28 2014

ORIGINAL PC STATE AGENCY APPROVAL

IDENTIFICATION STAMP  
DIV. OF THE STATE ARCHITECT  
OFFICE OF REGULATION SERVICES  
PC 04-112070  
AC 11/16/12 SS 700  
DATE JAN 29 2015

**REVISED**

PC REMISION 08/16/2012

SILVER CREEK INDUSTRIES  
30' x 32' PC

PROJECT NO:  
DRAWN BY:  
SCALE: AS NOTED  
DATE: 12-12-12  
P.C. SHEET NUMBER

**S-1.50**