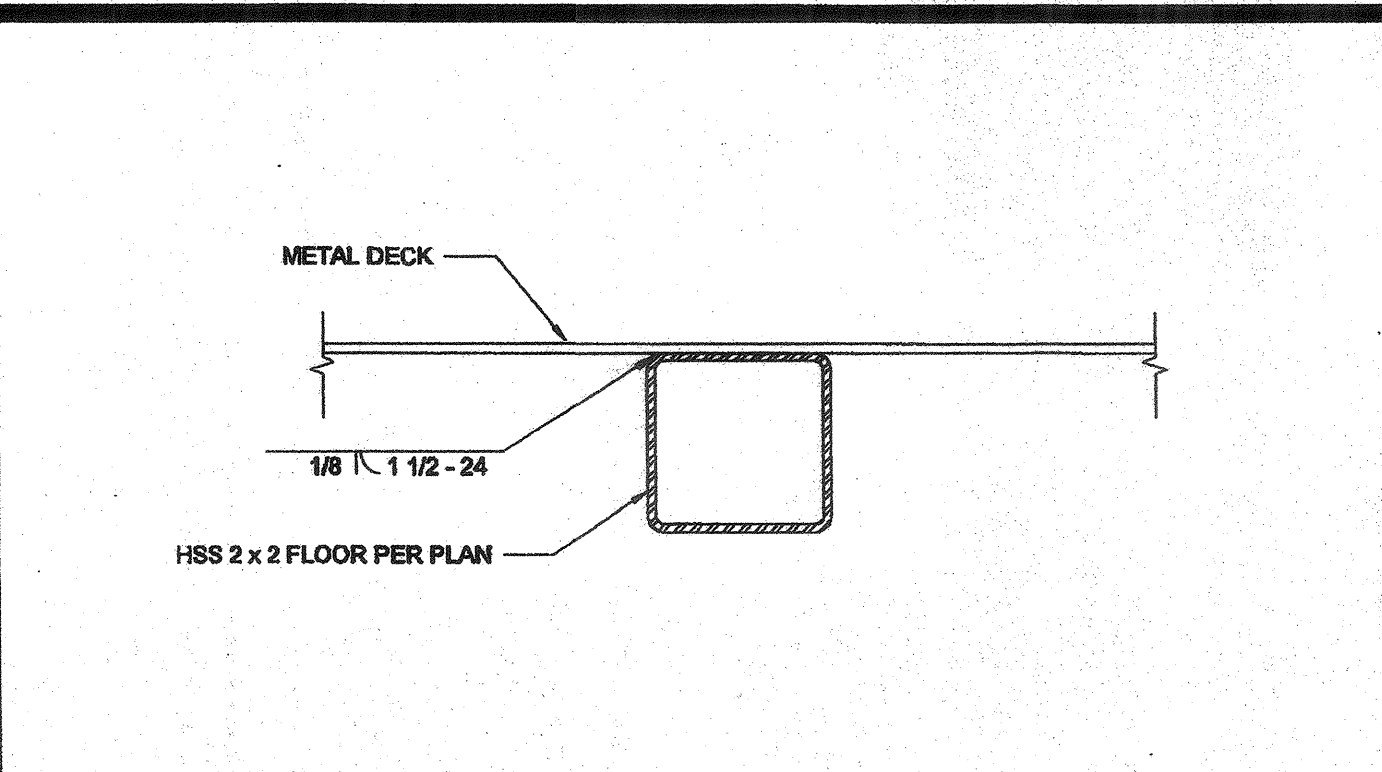
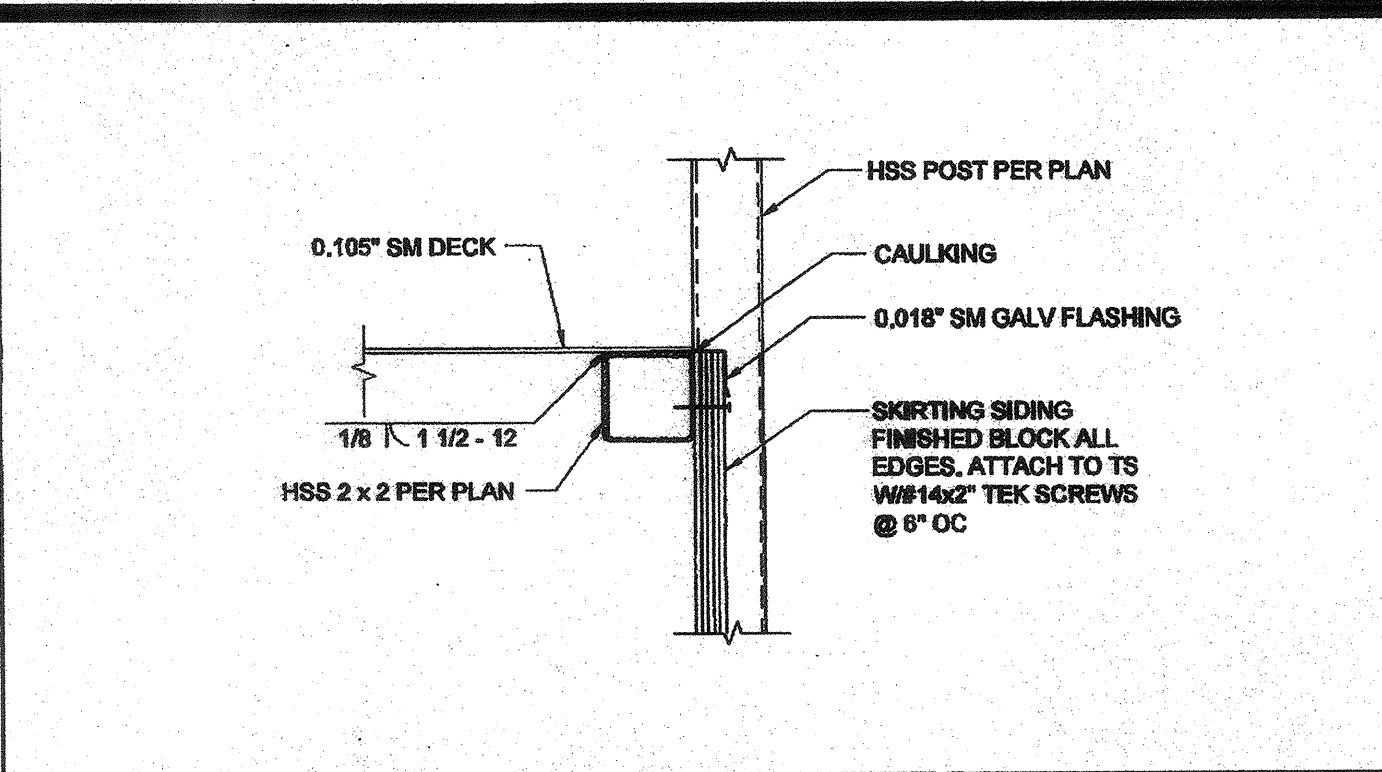


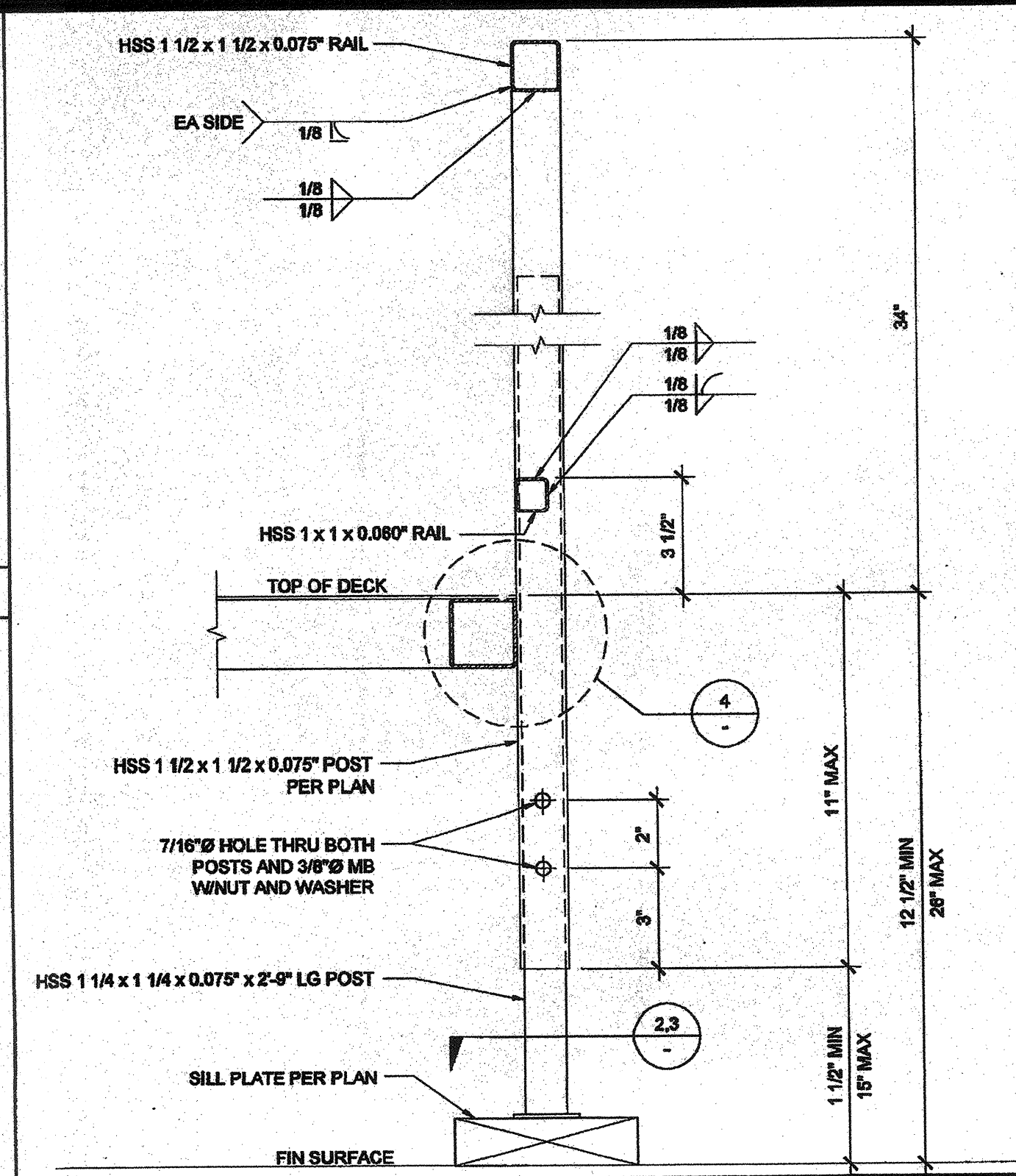
FLUSH TRANSITION AT BOTTOM OF RAMP SCALE: 6" = 1'-0" 15



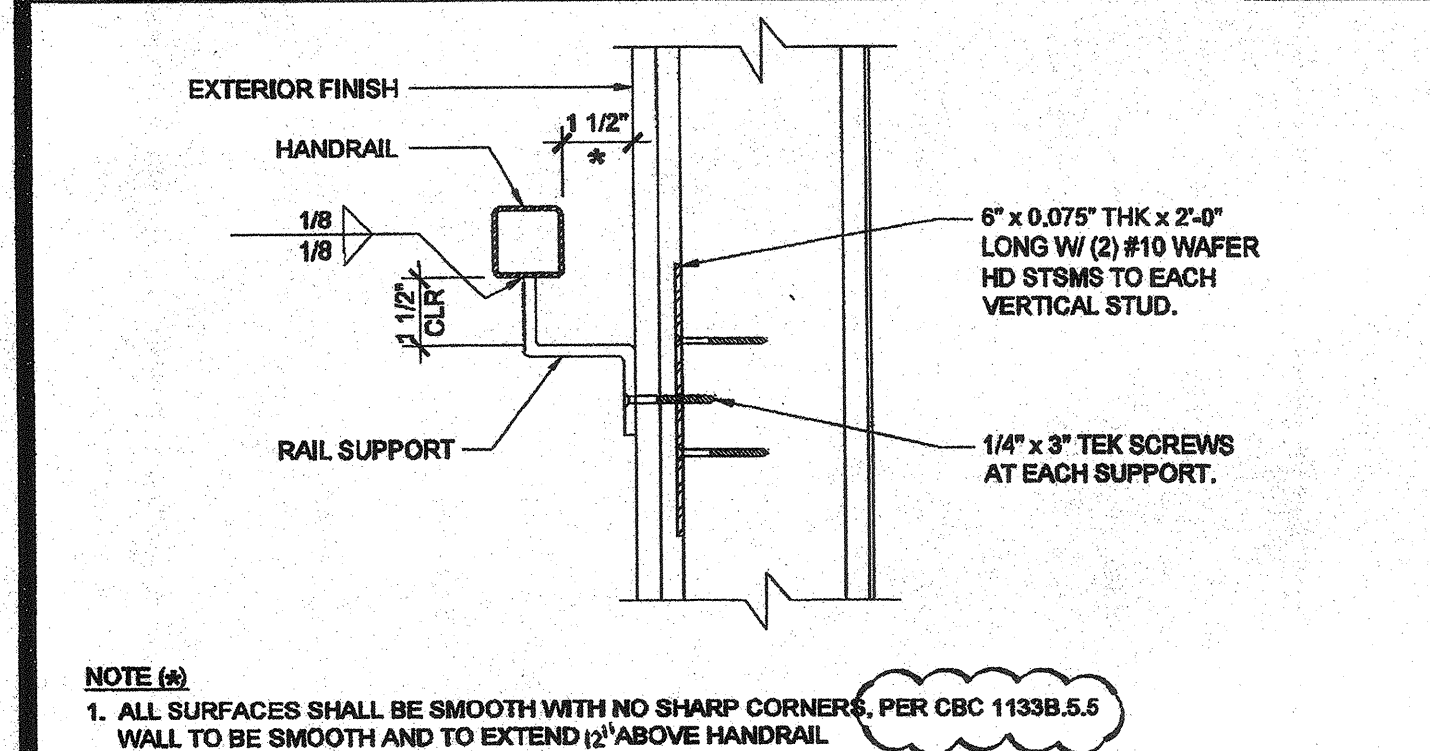
DECK TO FRAME SCALE: 6" = 1'-0" 10



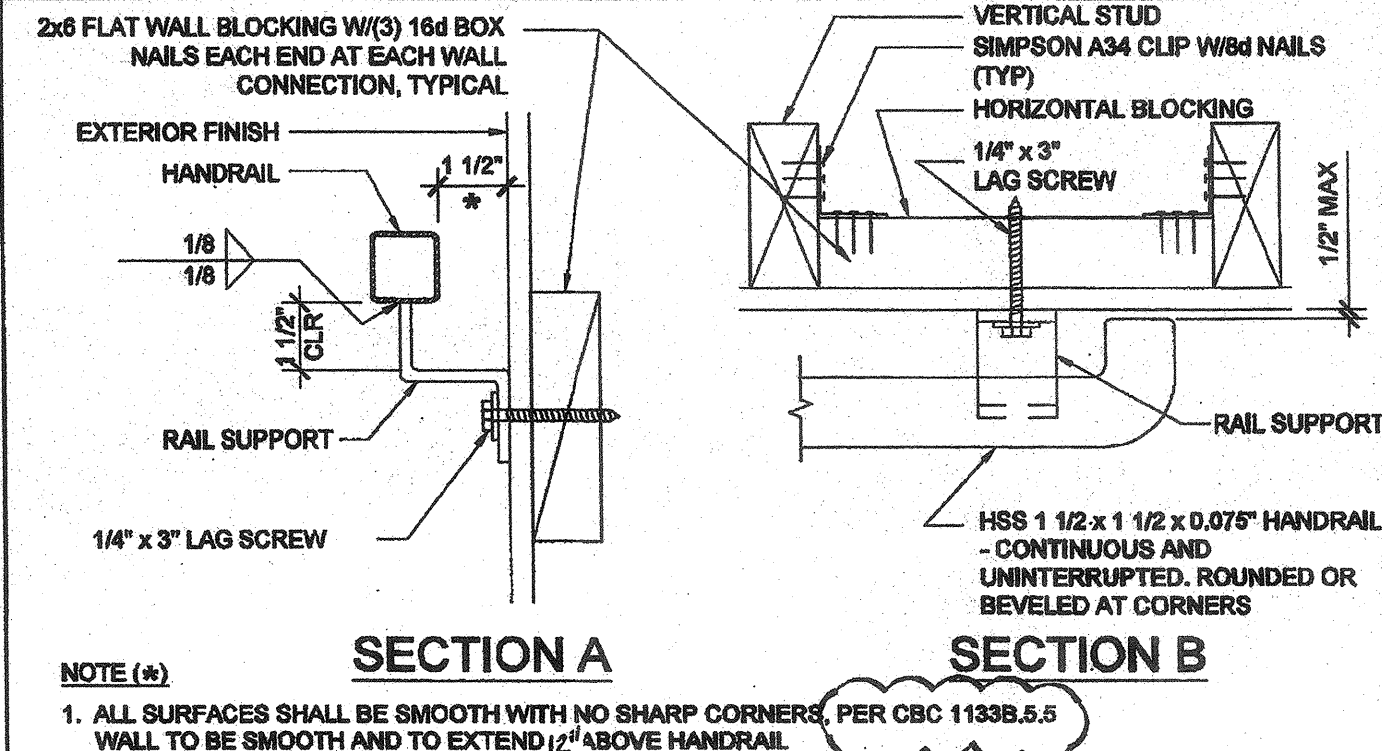
SKIRT FLASHING SCALE: 3" = 1'-0" 5



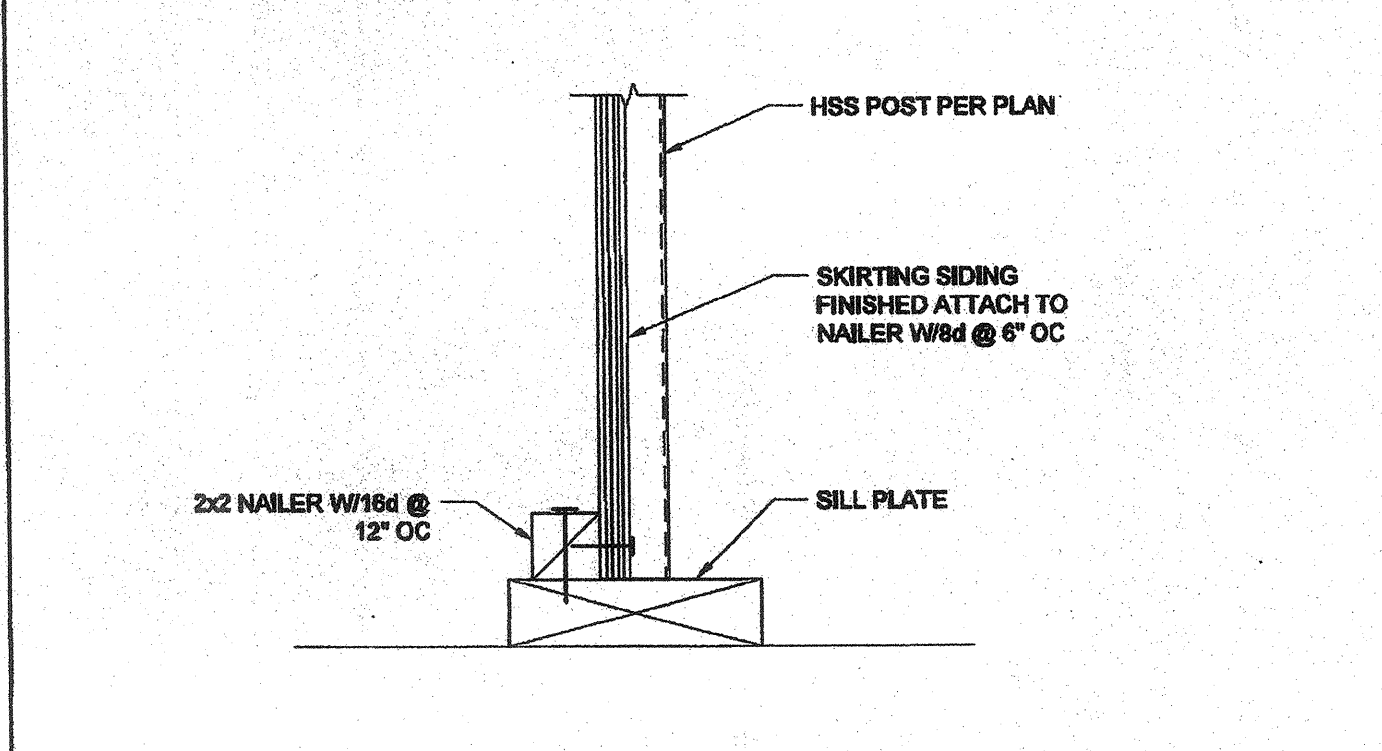
ADJUSTABLE LEG SCALE: 3" = 1'-0" 1



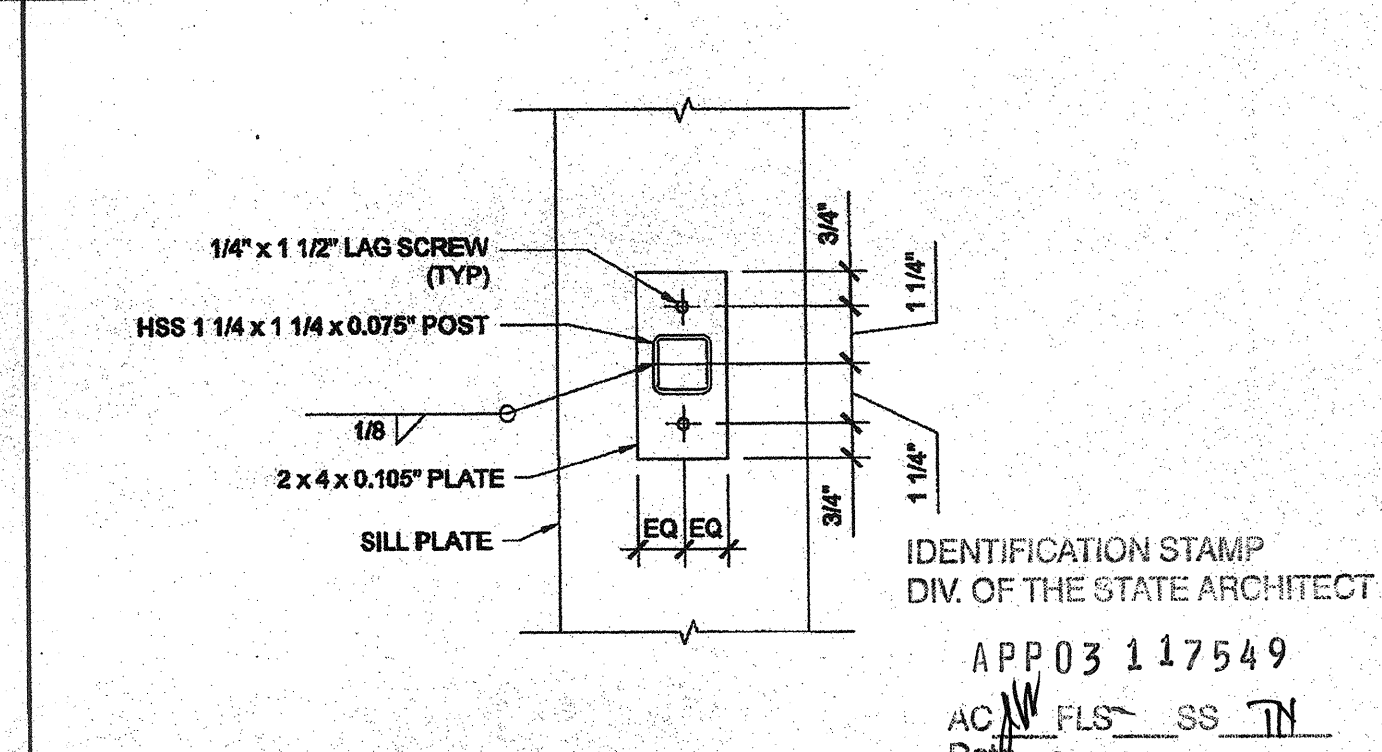
HANDRAIL CONNECTION AT SHEETMETAL BLKG SCALE: 3" = 1'-0" 16



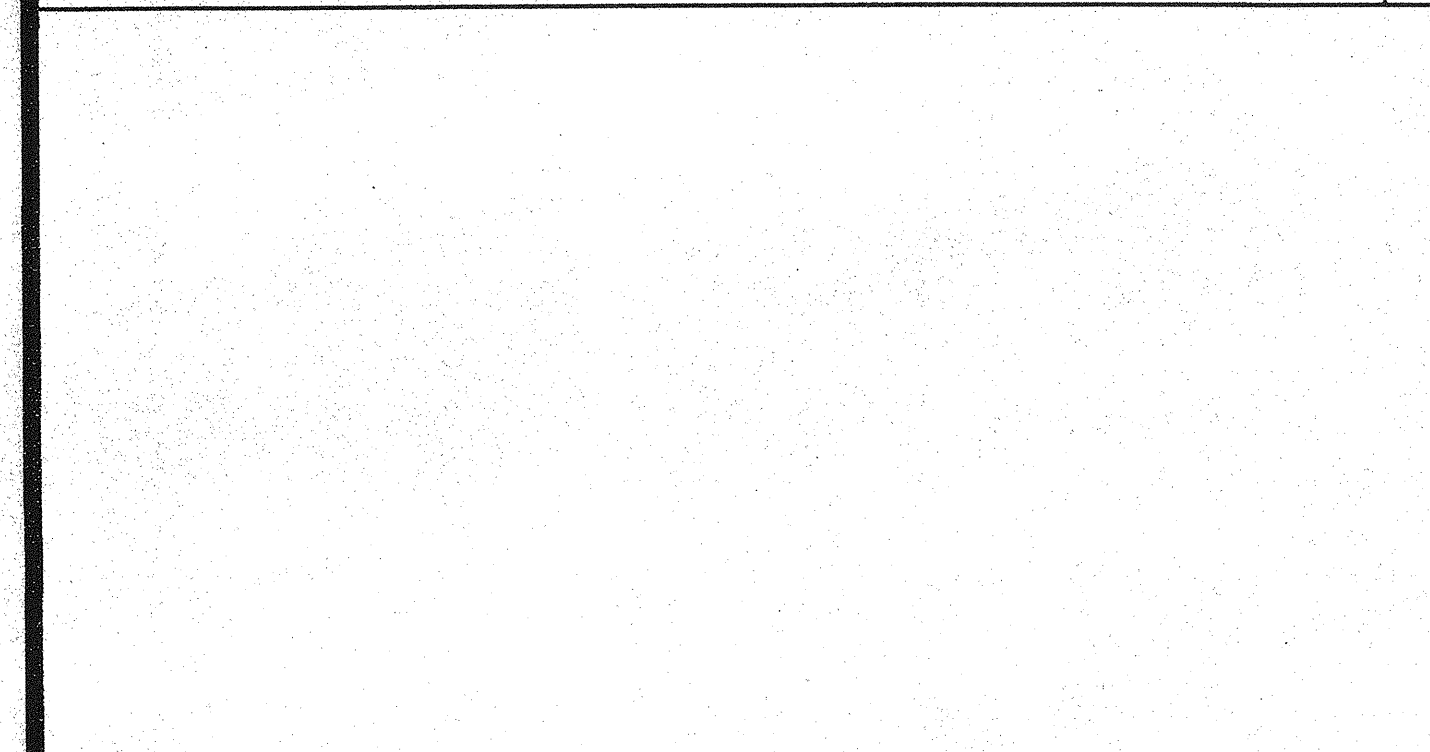
HANDRAIL CONNECTION AT WOOD BLOCKING SCALE: 3" = 1'-0" 11



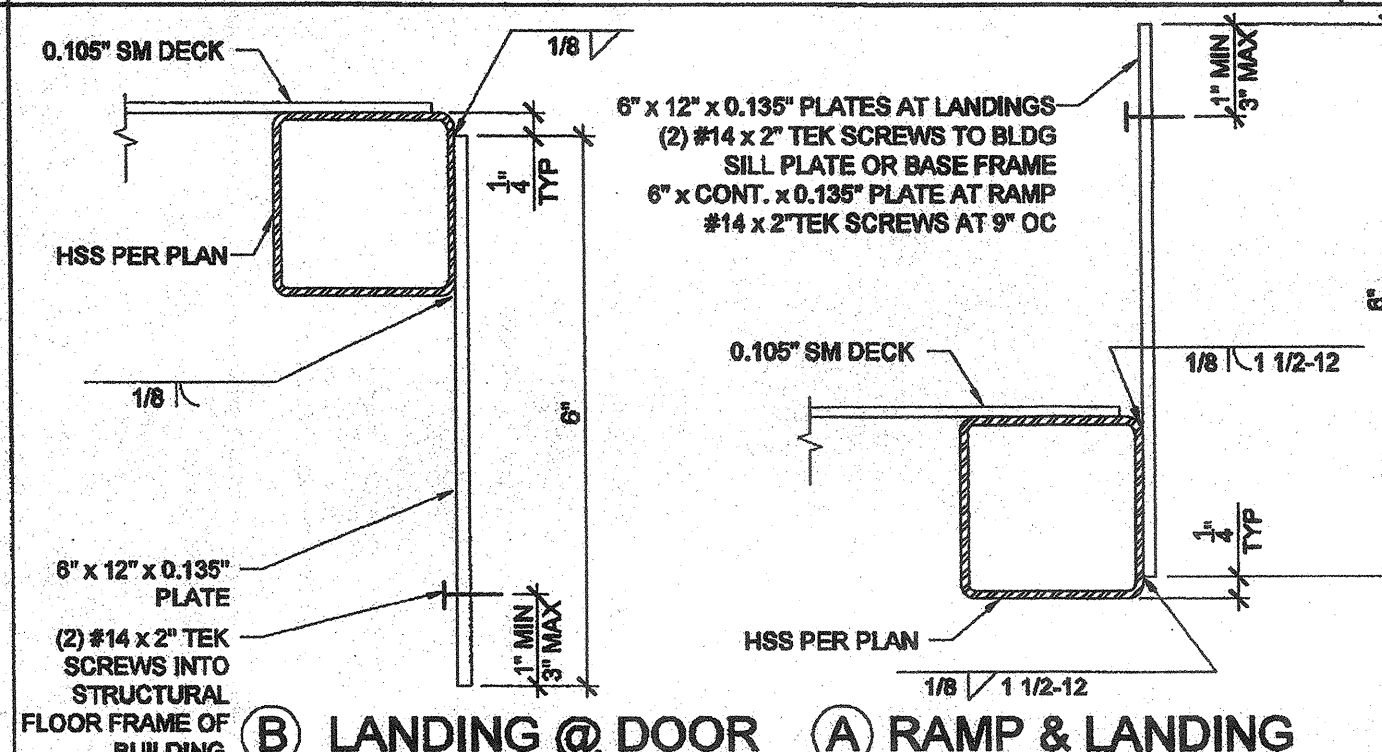
SKIRT FLASHING AT SILL PLATE SCALE: 3" = 1'-0" 6



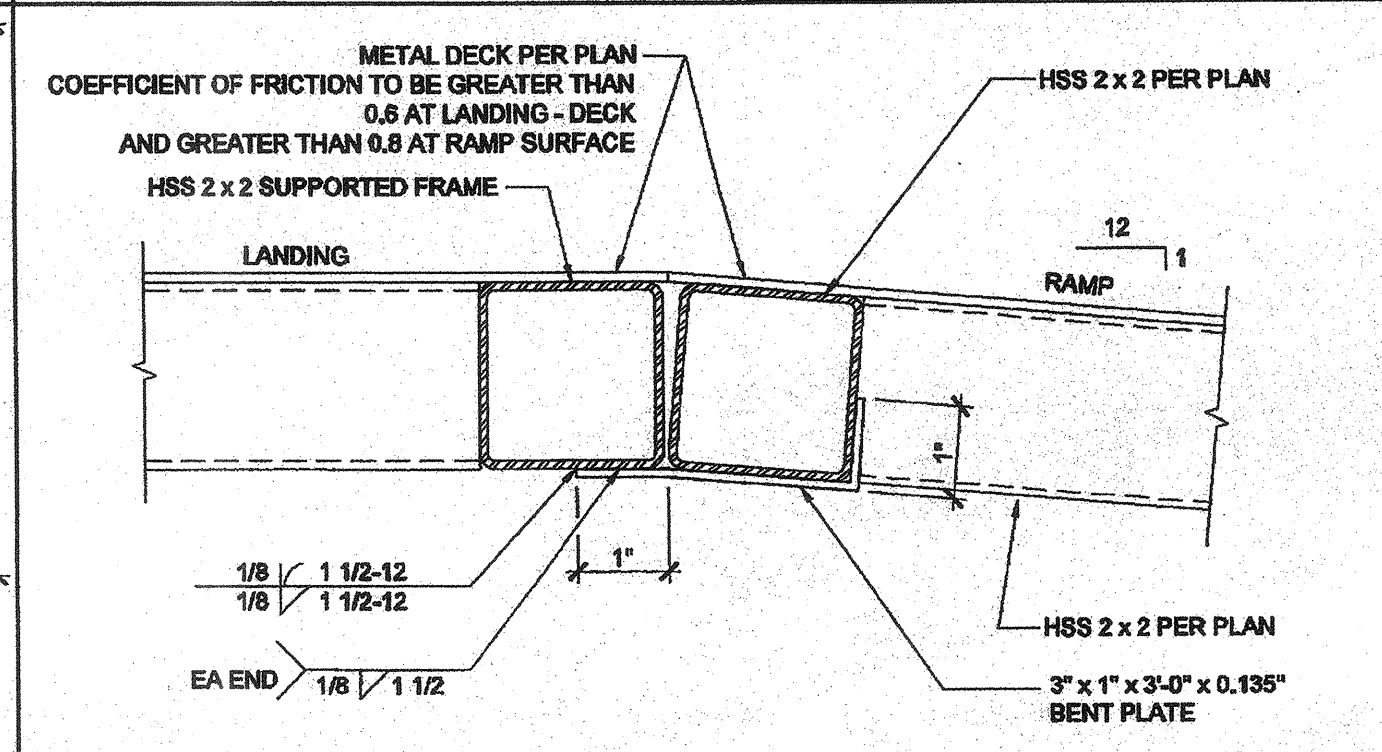
ADJUSTABLE LEG BASE PLATE SCALE: 3" = 1'-0" 2



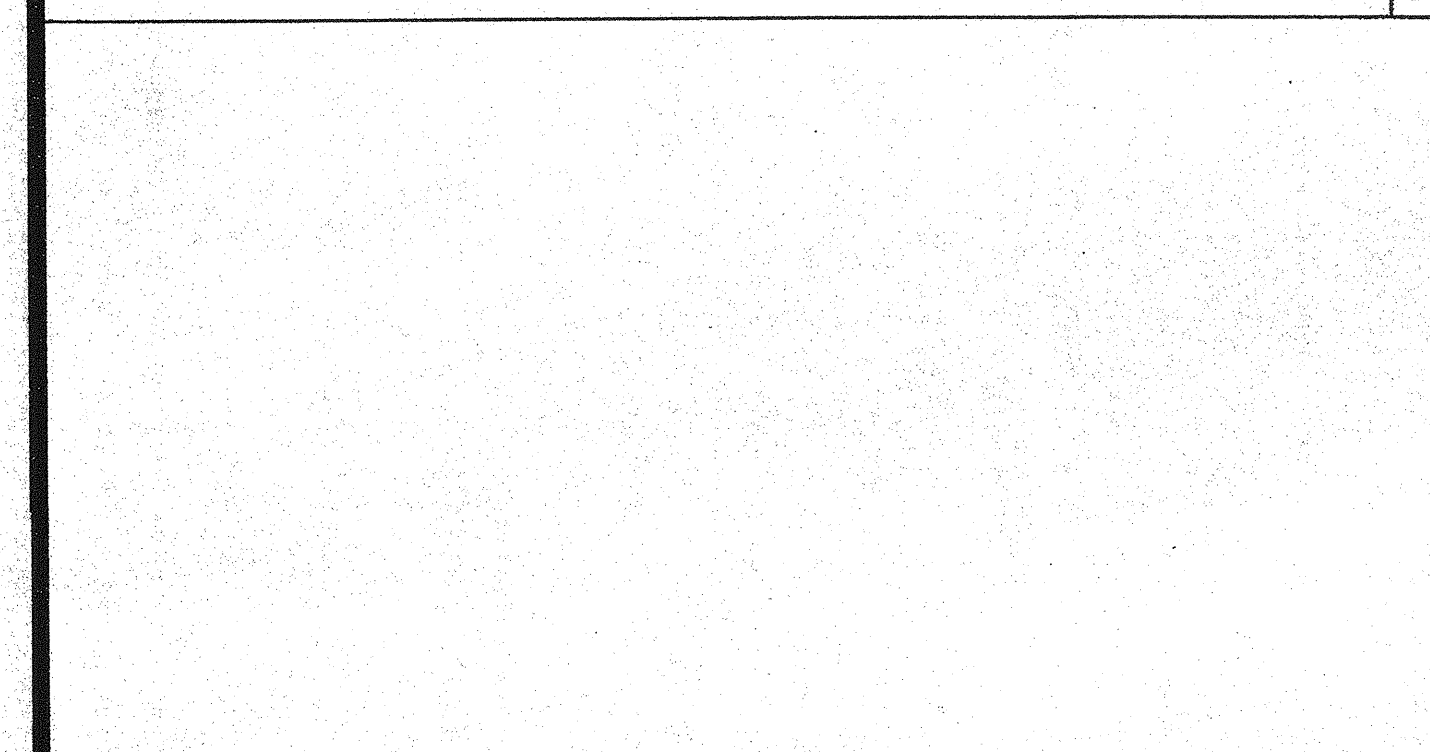
SECTION AT PLATE SCALE: 6" = 1'-0" 17



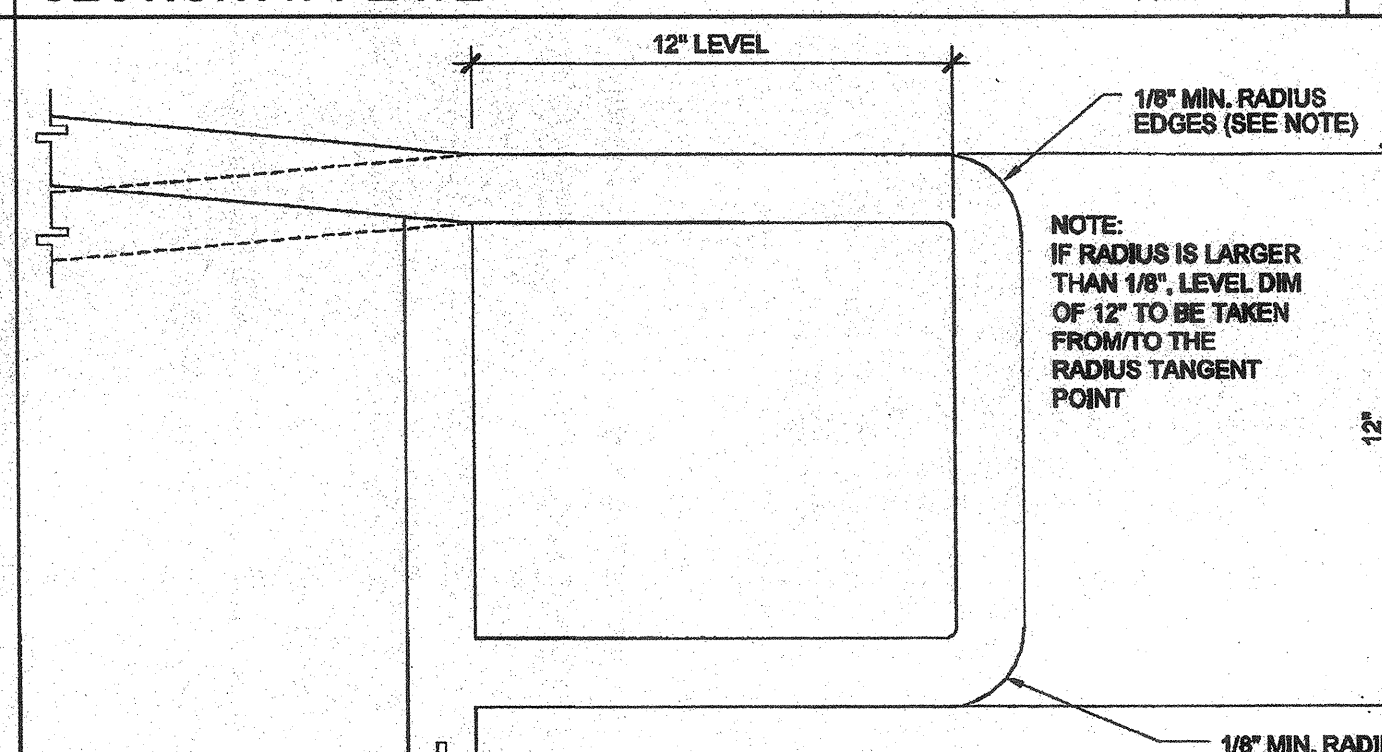
RAMP AT LANDING SCALE: 6" = 1'-0" 7



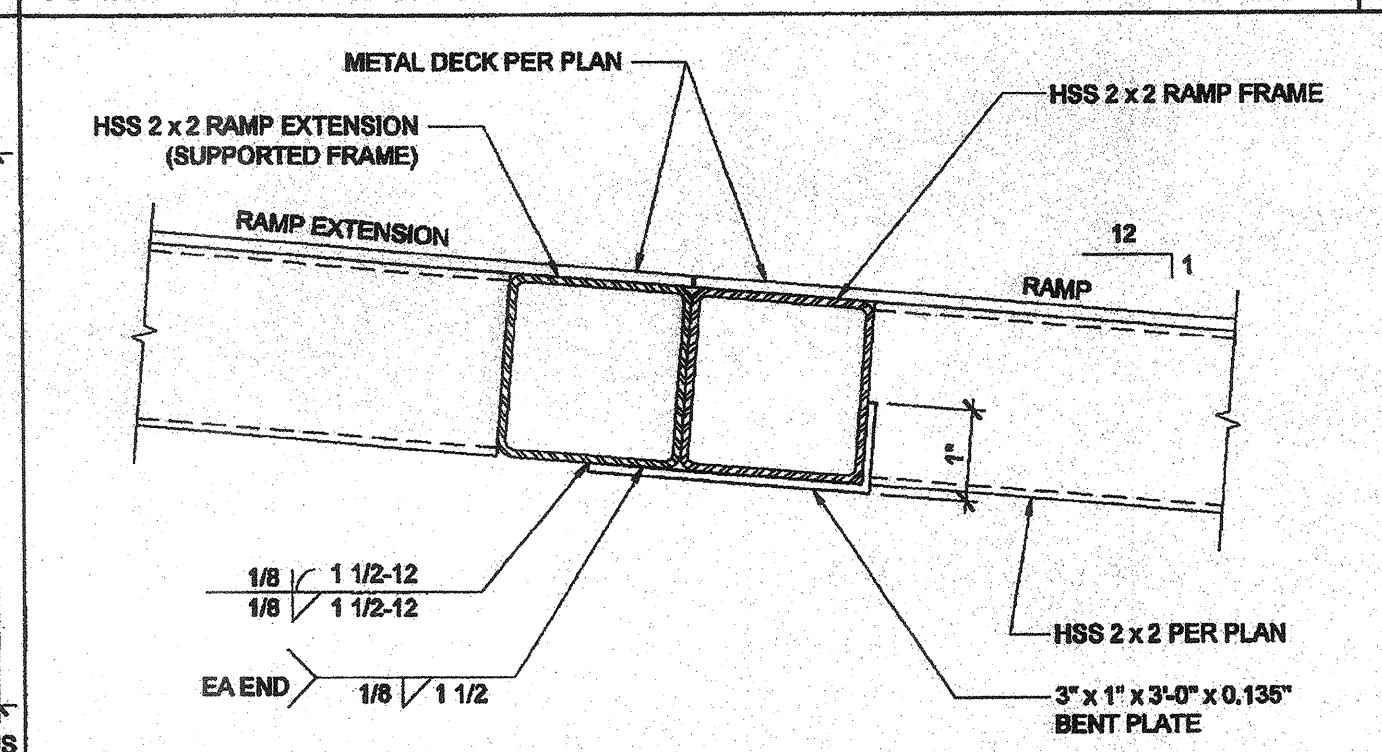
ADJUSTABLE LEG BASE PLATE SCALE: 3" = 1'-0" 3



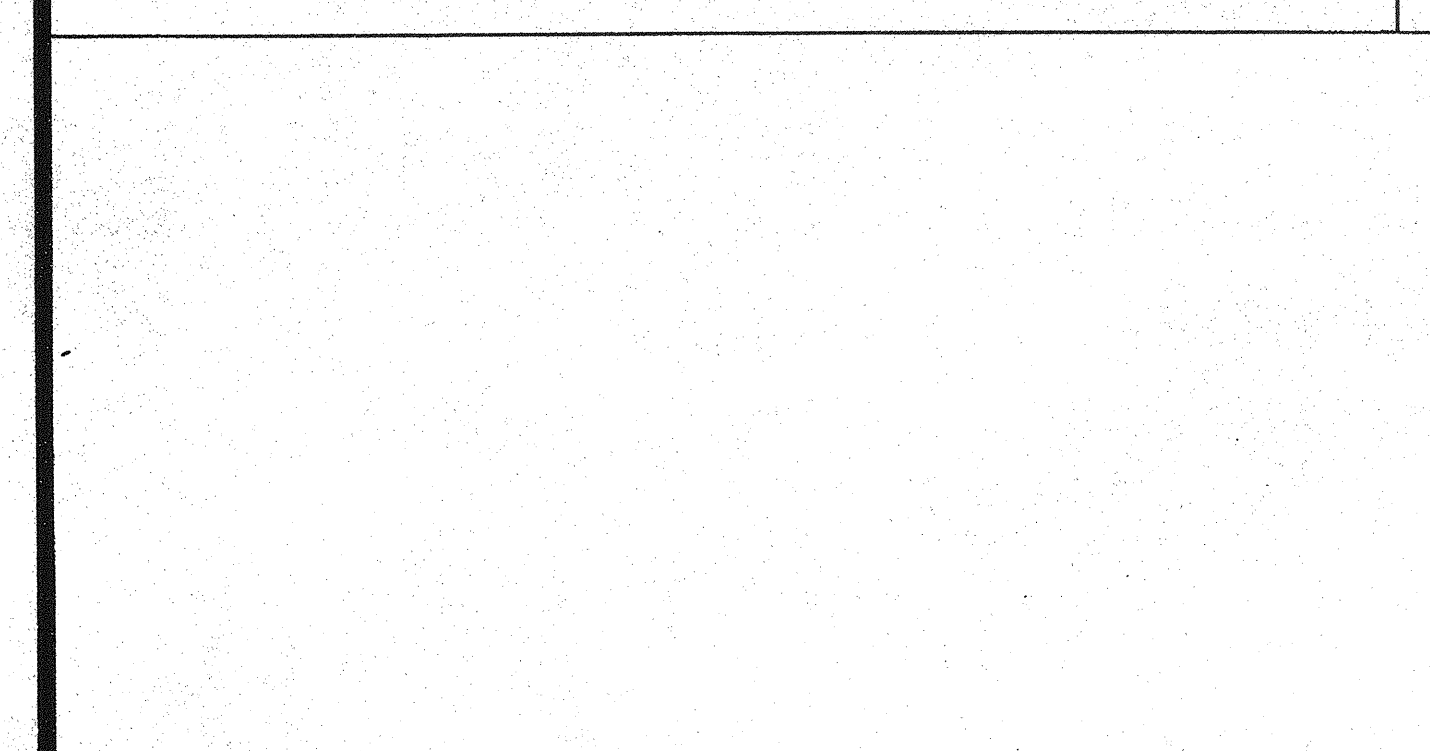
EXTEND HANDRAIL @ TOP OR BOTT. ENDS SCALE: 3" = 1'-0" 13



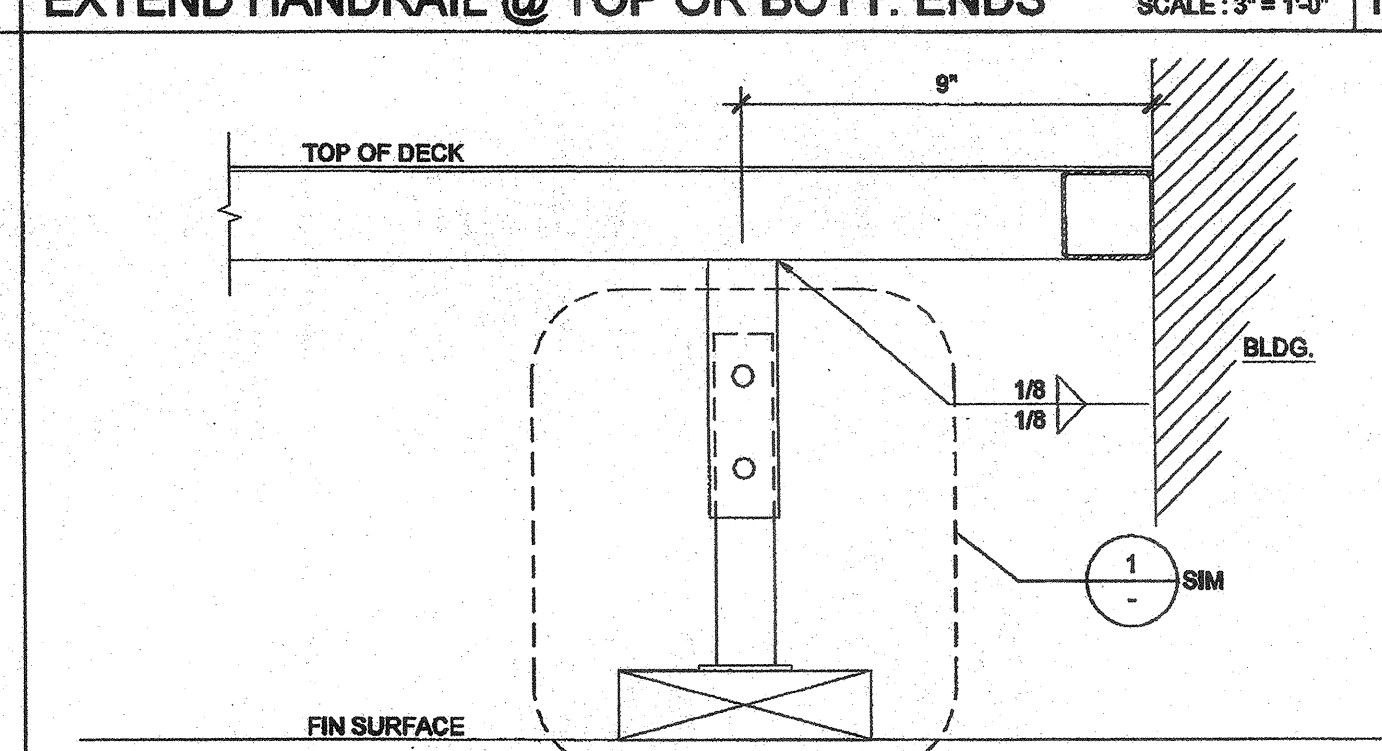
RAMP EXTENSION SCALE: 6" = 1'-0" 8



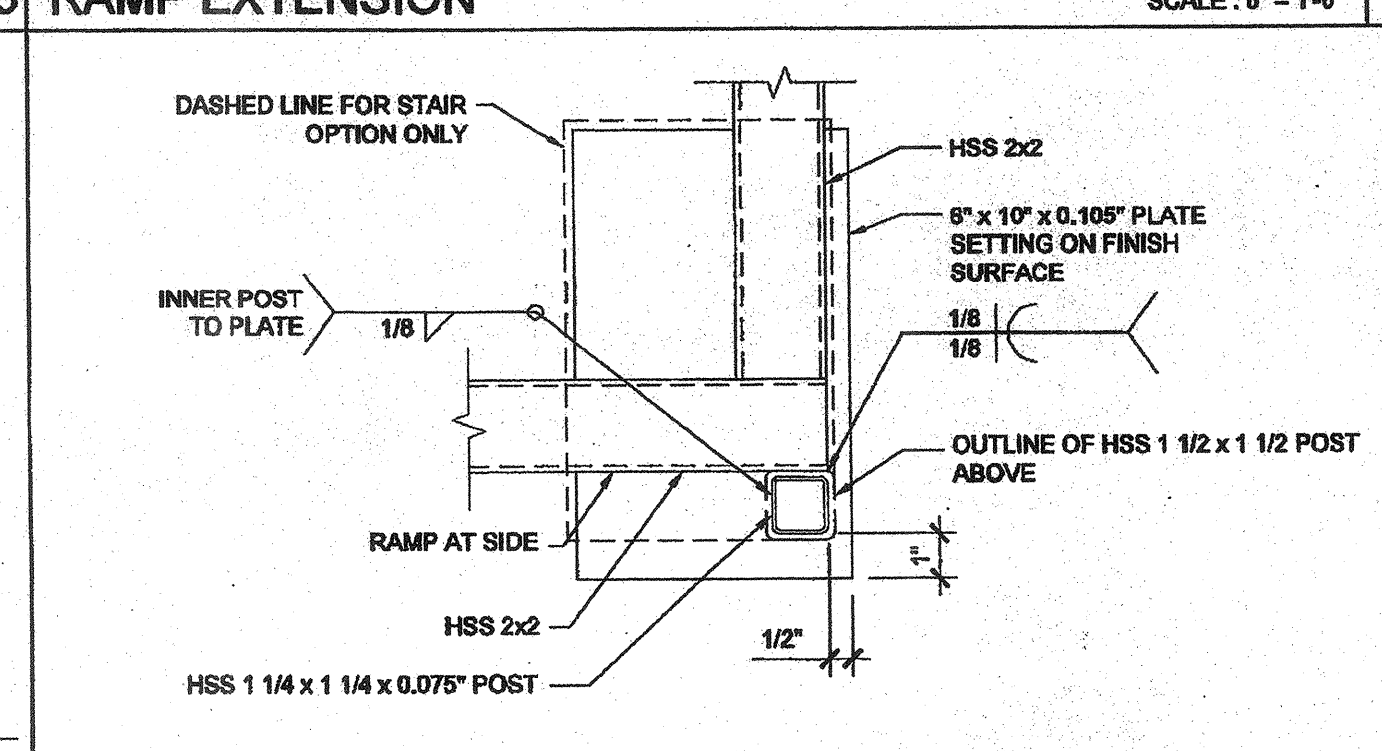
ADJUSTABLE LEG BASE PLATE SCALE: 3" = 1'-0" 3



INTERIOR LANDING LEG SECTION SCALE: 3" = 1'-0" 14



BASE PLATE AT RAMP TOE SCALE: 3" = 1'-0" 9



GUARDRAIL POST ATTACHMENT SCALE: 6" = 1'-0" 4

IDENTIFICATION STAMP  
DIV. OF THE STATE ARCHITECT  
APP03 117549  
AC WFLS SS TN  
DATE OCT 11 2010

IDENTIFICATION STAMP  
DIV. OF THE STATE ARCHITECT  
OFFICE OF REGULATION SERVICES  
04 113850  
AC WFLS SS TN  
DATE AUG 28 2014

IDENTIFICATION STAMP  
DIV. OF THE STATE ARCHITECT  
OFFICE OF REGULATION SERVICES  
PC 04-112070  
AC WFLS SS TN  
DATE DEC 8 2010

IDENTIFICATION STAMP  
DIV. OF THE STATE ARCHITECT  
OFFICE OF REGULATION SERVICES  
APP03 116979  
AC WFLS SS TN  
DATE 4-13-16

THESE DRAWINGS AND ALL MATERIAL CONTAINED HEREIN ARE THE PROPERTY OF SILVERCREEK INDUSTRIES, INC. (SCI INC) AND SHALL NOT BE REPRODUCED, COPIED OR OTHERWISE DISPOSED OF DIRECTLY OR INDIRECTLY AND SHALL NOT BE USED IN WHOLE OR IN PART TO ASSIST IN THE MAKING OF OR FOR THE PURPOSE OF FURNISHING ANY INFORMATION FOR THE MAKING OF DRAWINGS, PRINTS, APPARATUS OR PARTS THEREOF WITHOUT THE FULL KNOWLEDGE AND WRITTEN CONSENT OF SCI INC. ALL PATENTABLE MATERIAL CONTAINED HEREIN AND ORIGINATING WITH SCI INC SHALL BE THE PROPERTY OF SCI INC.

**SILVER CREEK INDUSTRIES, INC.**  
"BUILDING FOR THE NEXT GENERATION"  
**SILVER CREEK**  
195 EAST MORGAN PERRIS, CALIFORNIA 92571  
PHONE: 951-943-5393 FAX: 951-943-2211

PROJECT NAME:  
**CLASS LEASING CLASSROOMS BLDG'S**

SHEET TITLE:  
**RAMP DETAILS**

**STAVARES ASSOCIATES**  
ARCHITECTS  
195 EAST MORGAN PERRIS, CALIFORNIA 92571  
PHONE: 951-943-5393 FAX: 951-943-2211  
www.stavares.com

ARCHITECT OF RECORD  
SUBMITTER  
**STAVARES ASSOCIATES**  
12/23/2011

IDENTIFICATION STAMP  
DIV. OF THE STATE ARCHITECT  
OFFICE OF REGULATION SERVICES  
04 113850  
AC WFLS SS TN  
DATE AUG 28 2014

PROJECT SPECIFIC STATE AGENCY APPROVAL  
IDENTIFICATION STAMP  
DIV. OF THE STATE ARCHITECT  
OFFICE OF REGULATION SERVICES  
04 113850  
AC WFLS SS TN  
DATE AUG 28 2014

ORIGINAL PC STATE AGENCY APPROVAL  
IDENTIFICATION STAMP  
DIV. OF THE STATE ARCHITECT  
OFFICE OF REGULATION SERVICES  
PC 04-112070  
AC WFLS SS TN  
DATE DEC 8 2010

REVISIONS


SILVER CREEK INDUSTRIES  
30' x 32' PC

PROJECT NO:  
DRAWN BY:  
SCALE: AS NOTED  
DATE: 6-17-11  
P.C. SHEET NUMBER  
**R-2.01**