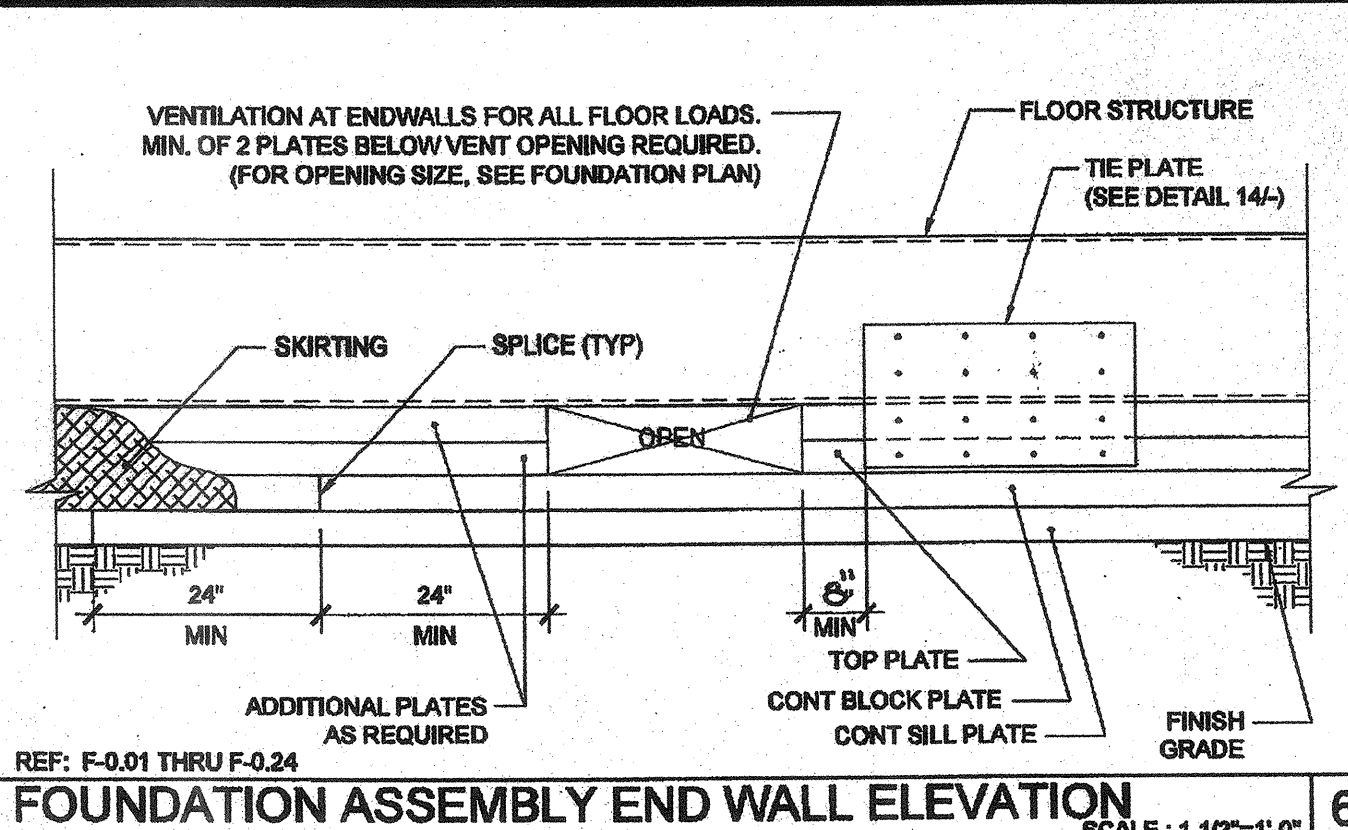
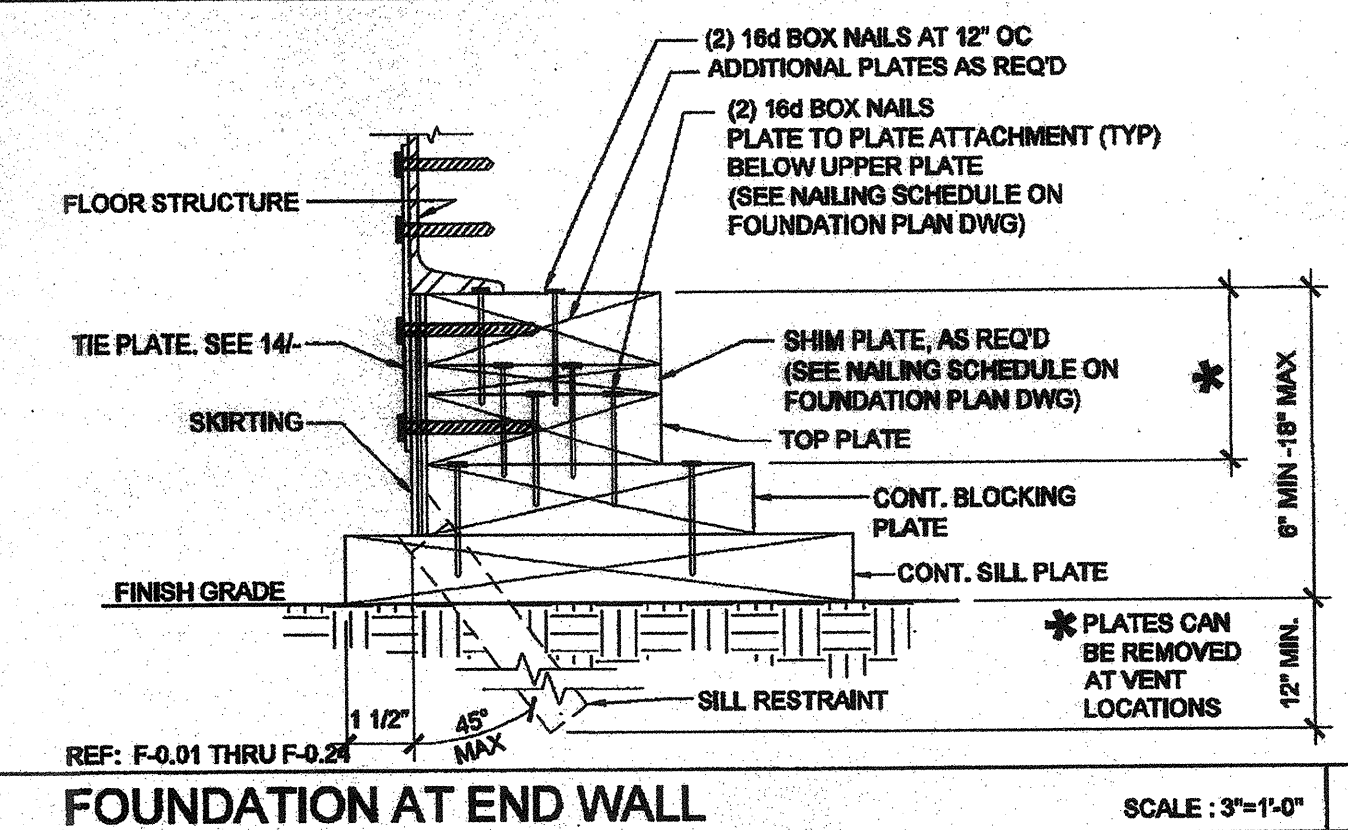


16 FOUNDATION AT ADJACENT BUILDING SCALE: 3/4"=1'-0"

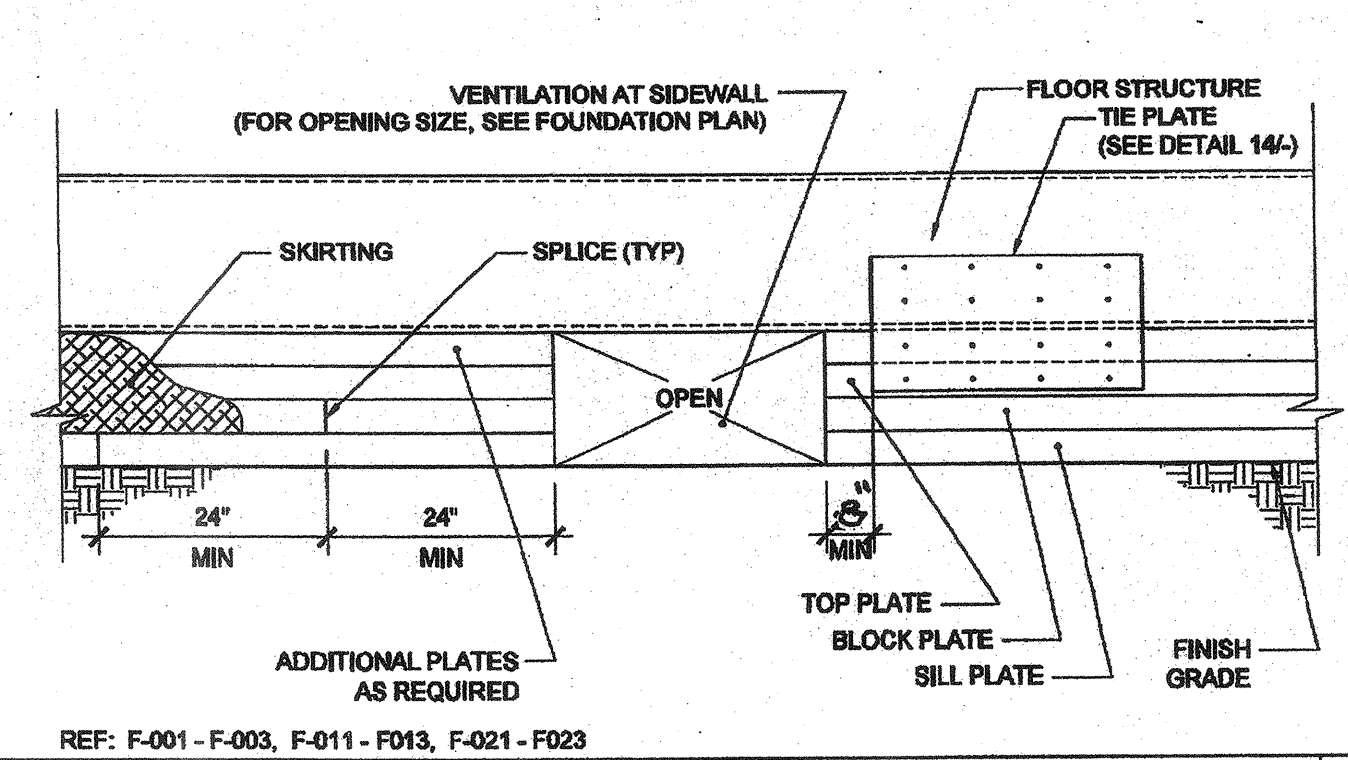


14 FOUNDATION ASSEMBLY END WALL ELEVATION SCALE: 1 1/2"=1'-0"

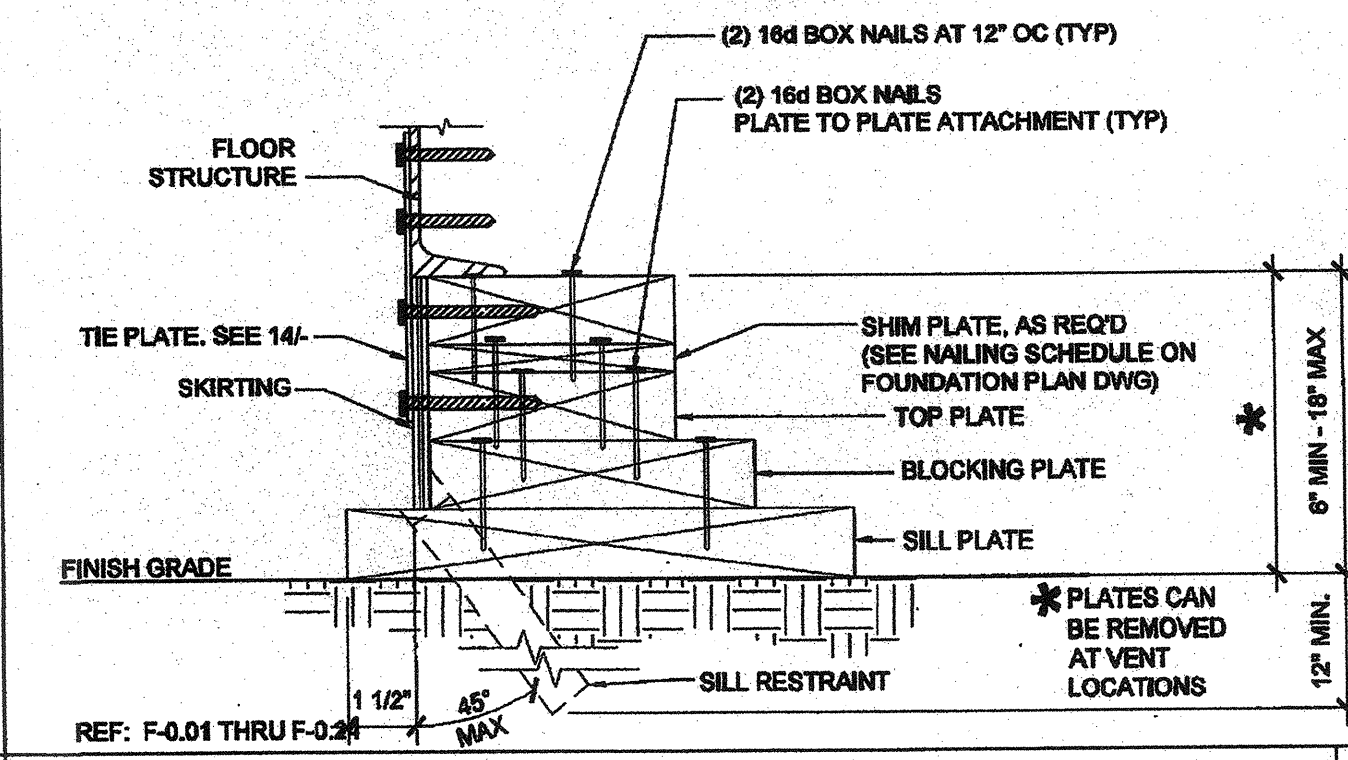


6 FOUNDATION AT END WALL SCALE: 3/4"=1'-0"

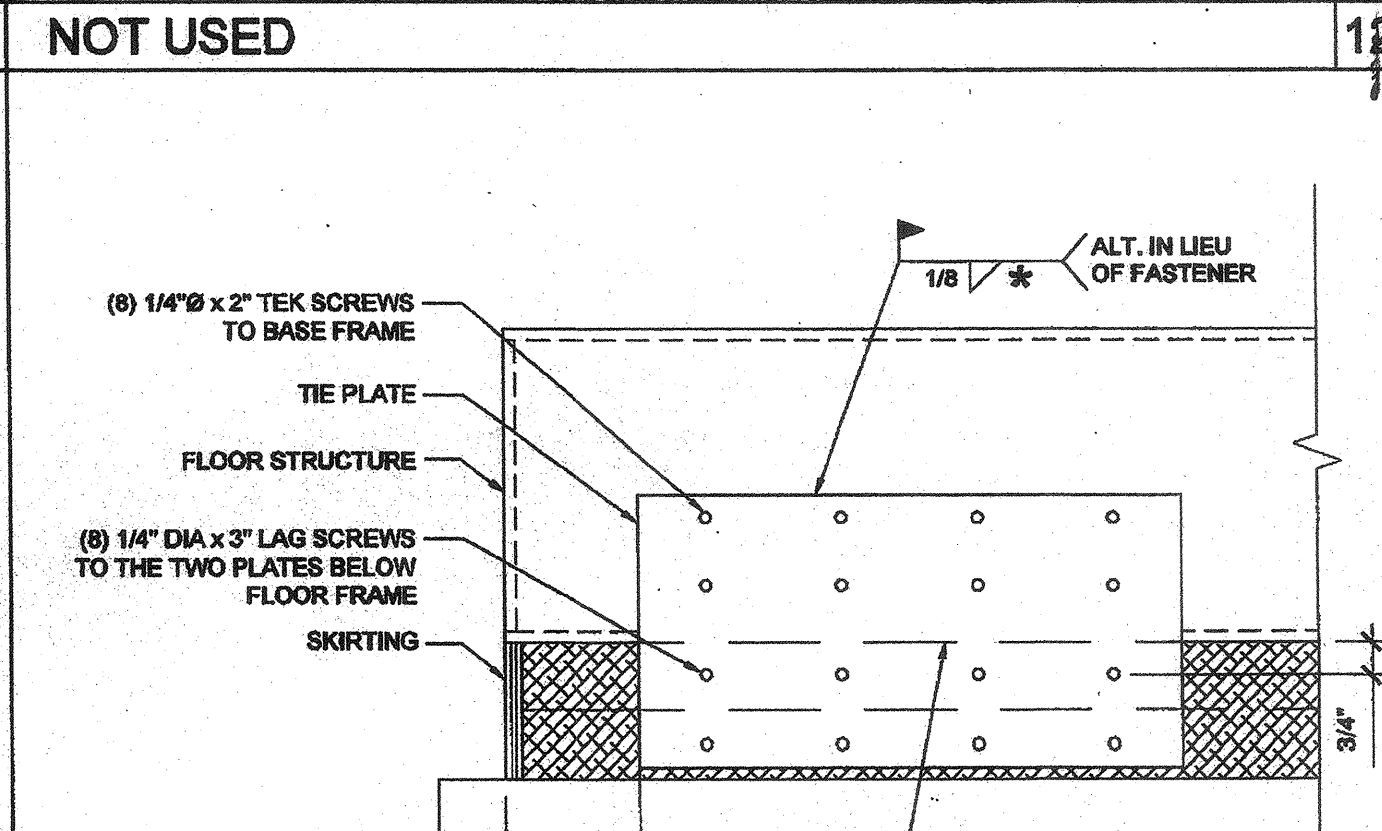
IDENTIFICATION STAMP  
DIV. OF THE STATE ARCHITECT  
APP03 117549  
AC FLS SS TH  
Date OCT 11 2016



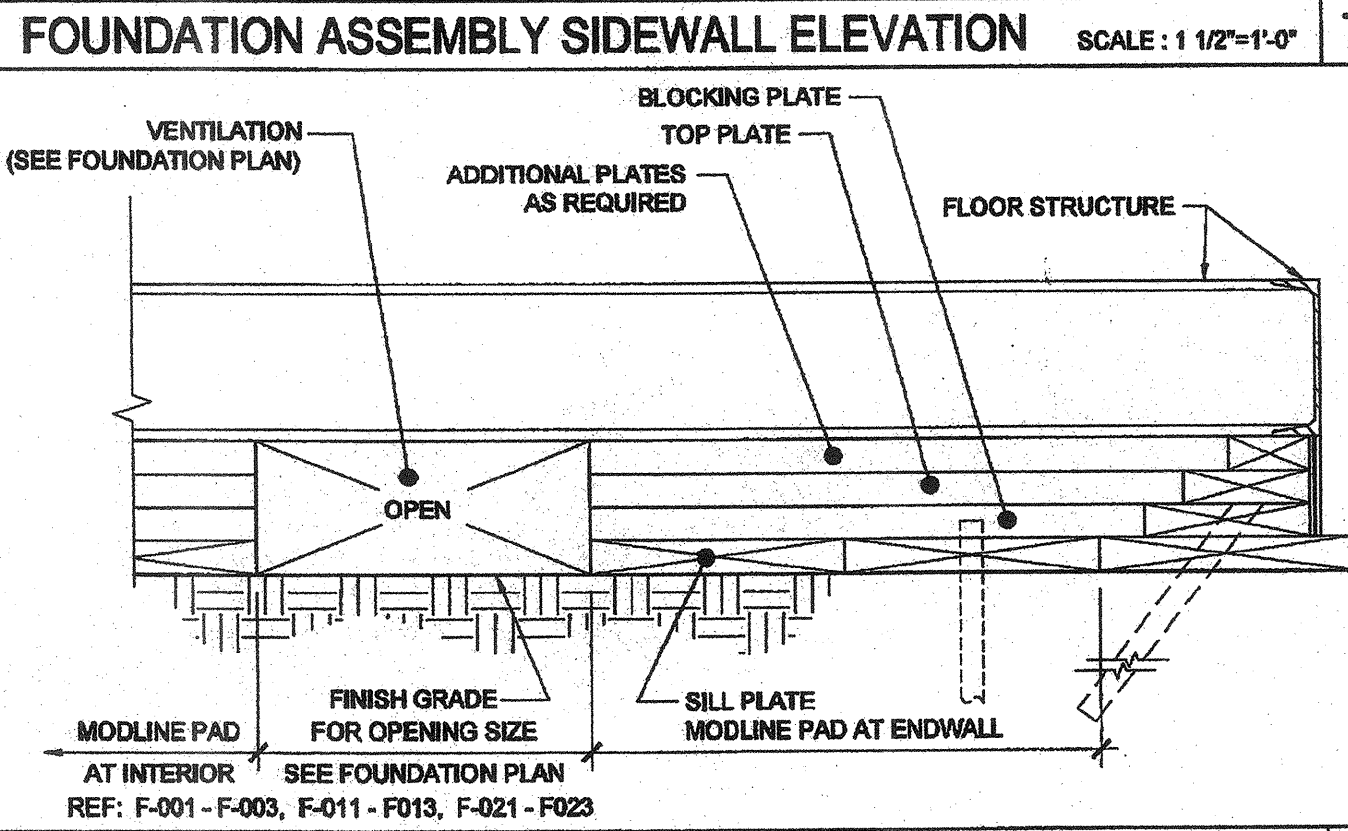
12 FOUNDATION ASSEMBLY SIDEWALL ELEVATION SCALE: 1 1/2"=1'-0"



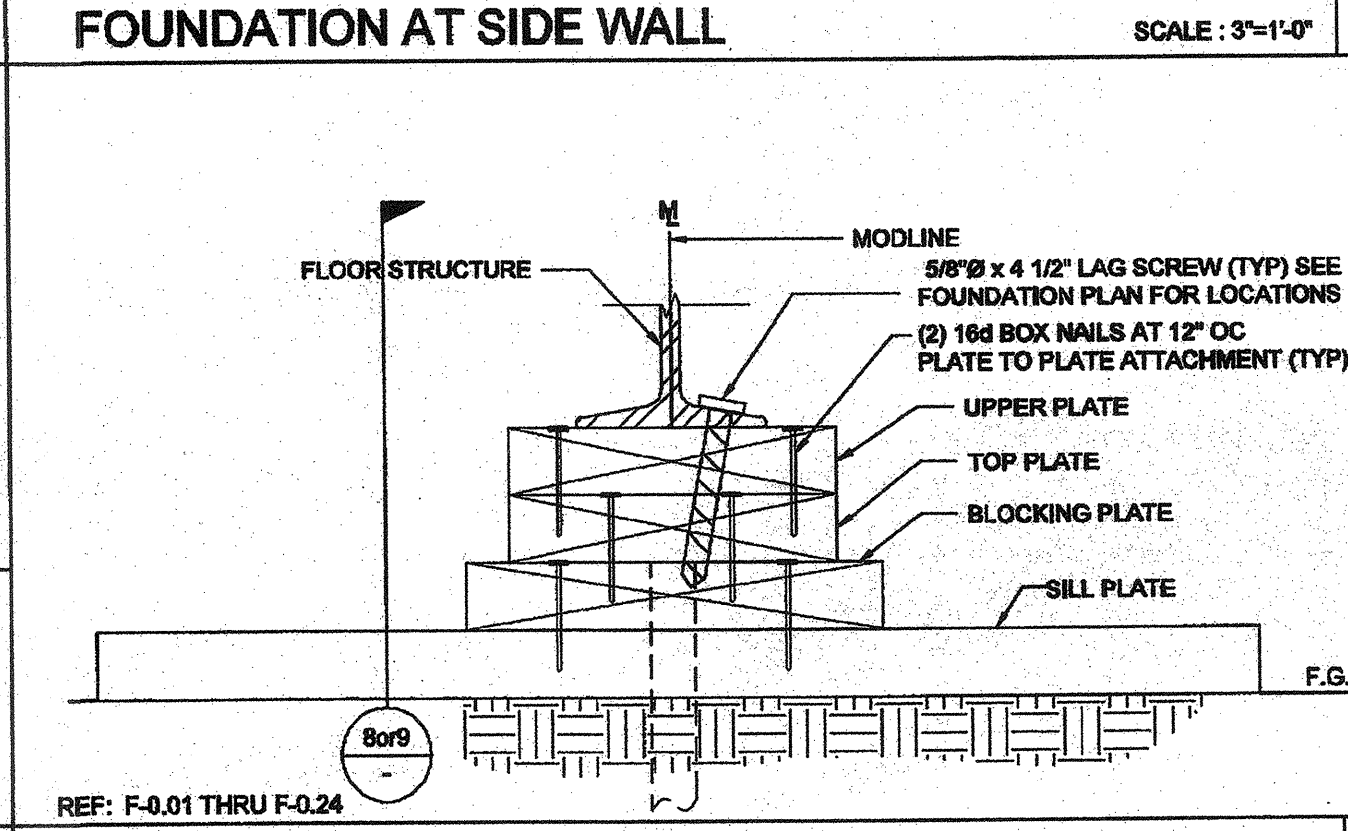
7 FOUNDATION AT SIDE WALL SCALE: 3/4"=1'-0"



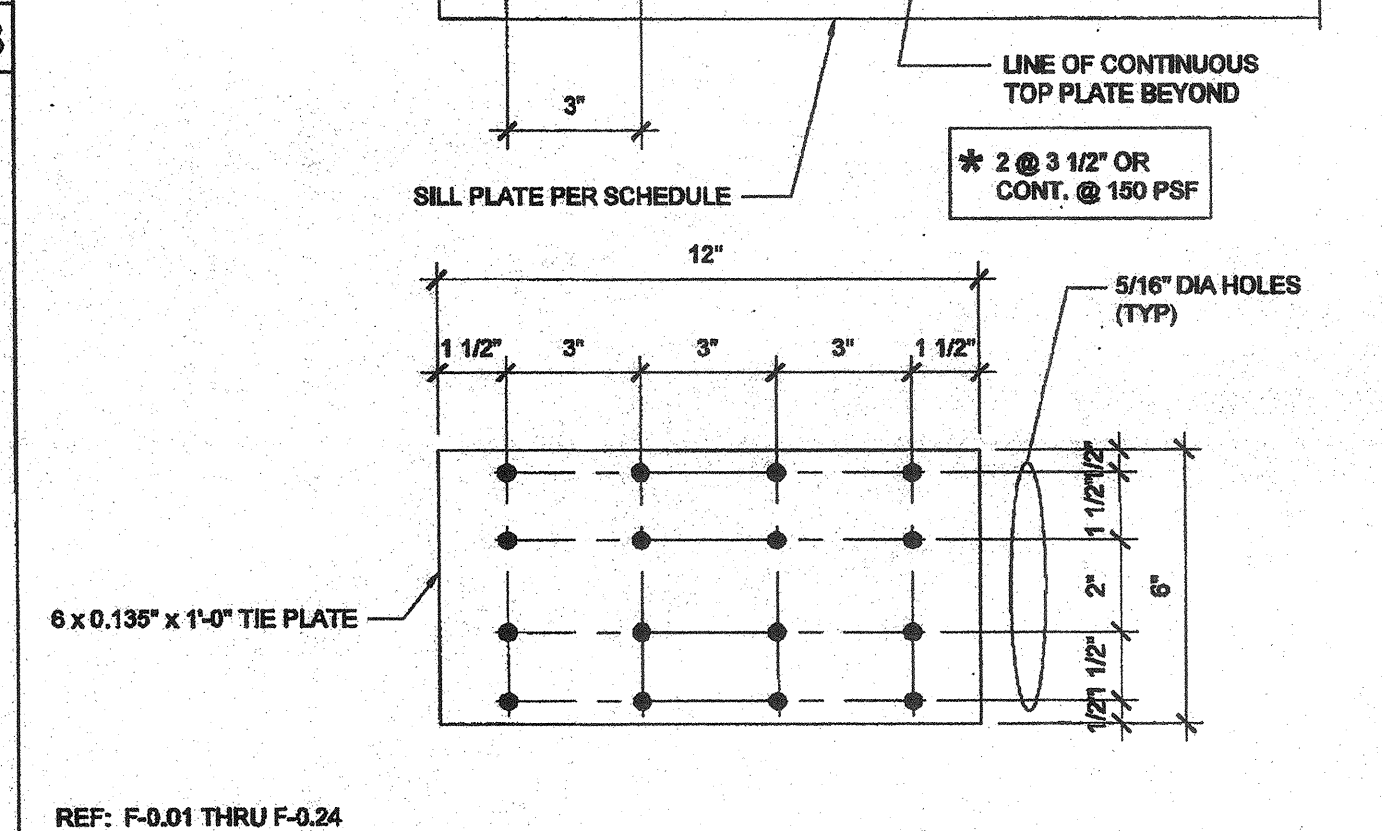
18 FOUNDATION AT MODLINE & SEPARATION SCALE: 3/4"=1'-0"



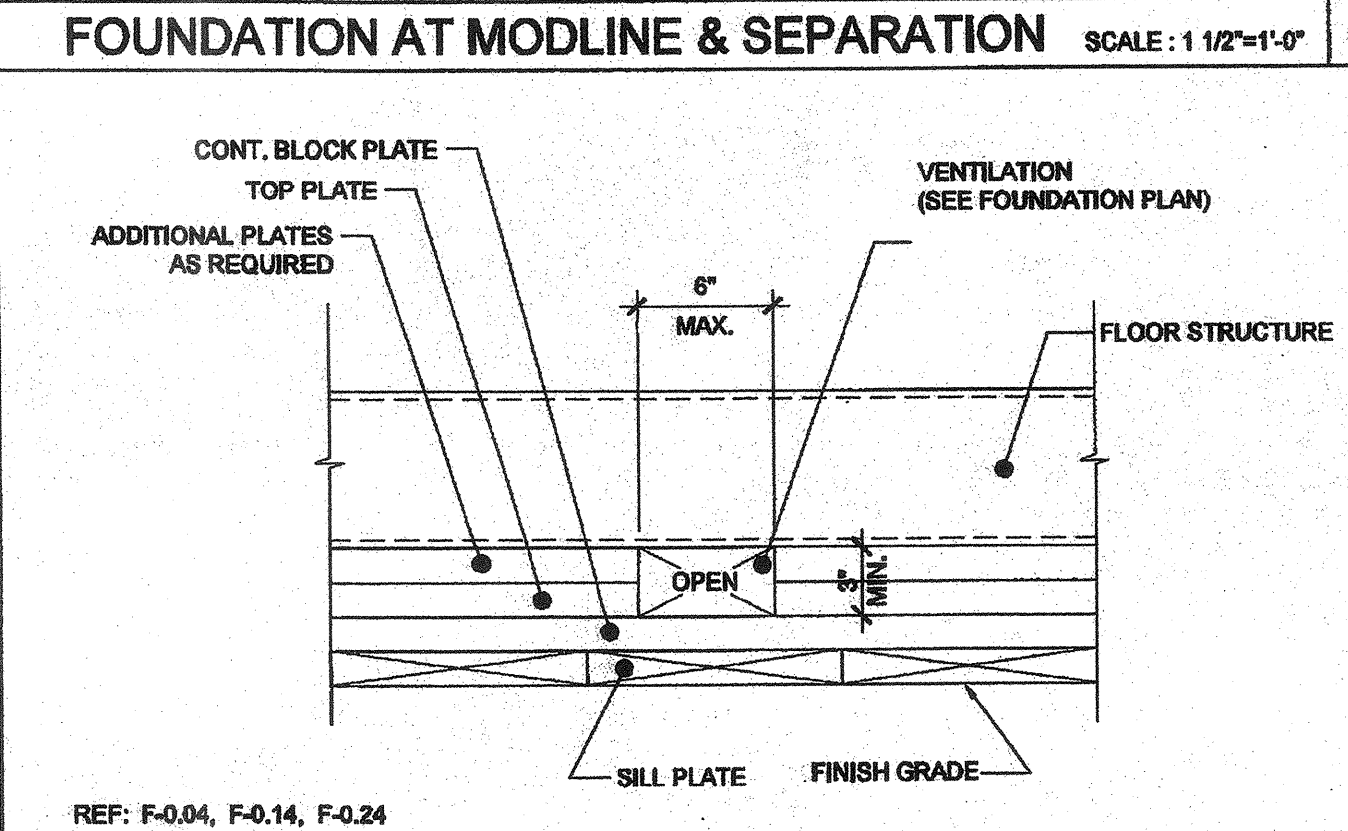
8 FOUNDATION AT MODLINE & SEPARATION SCALE: 1 1/2"=1'-0"



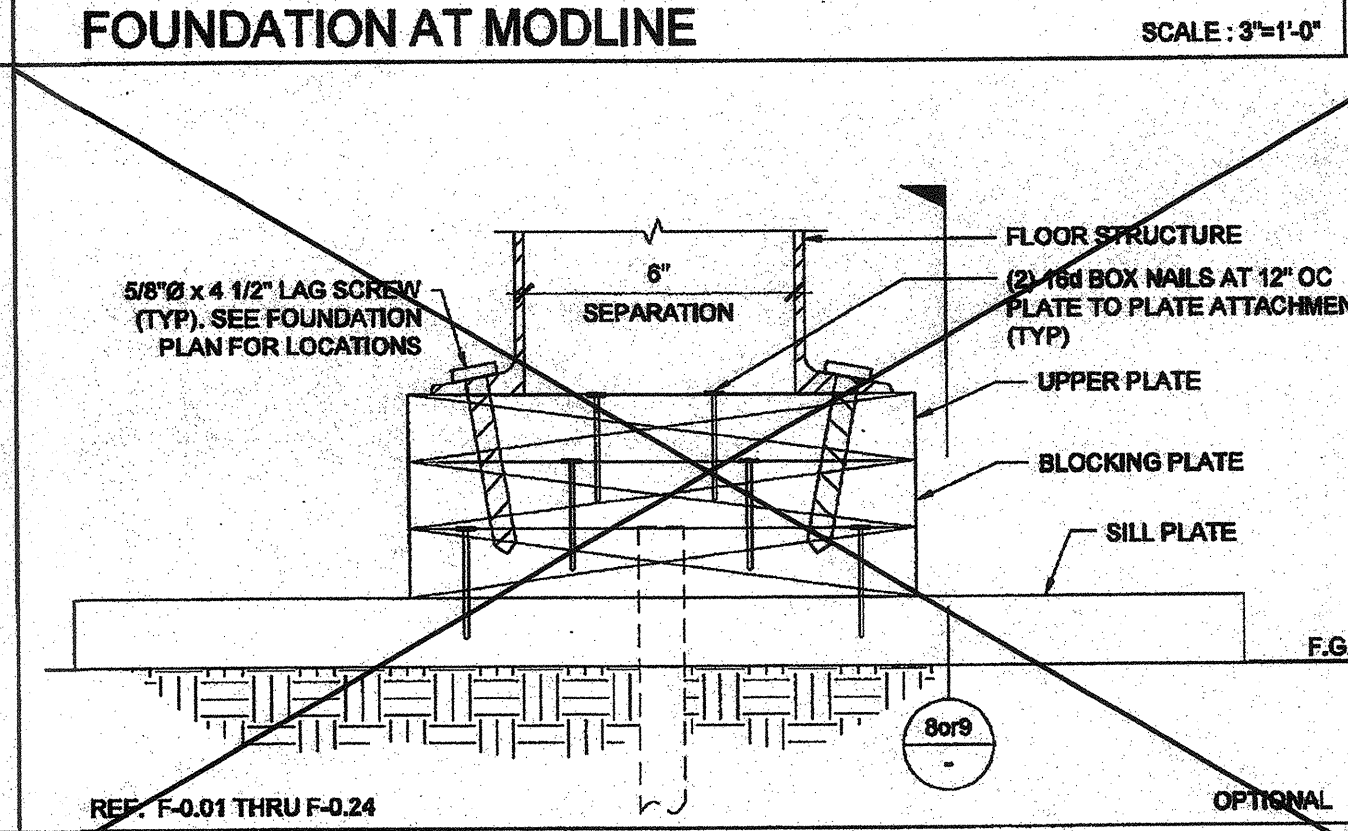
2 FOUNDATION AT MODLINE SCALE: 3/4"=1'-0"



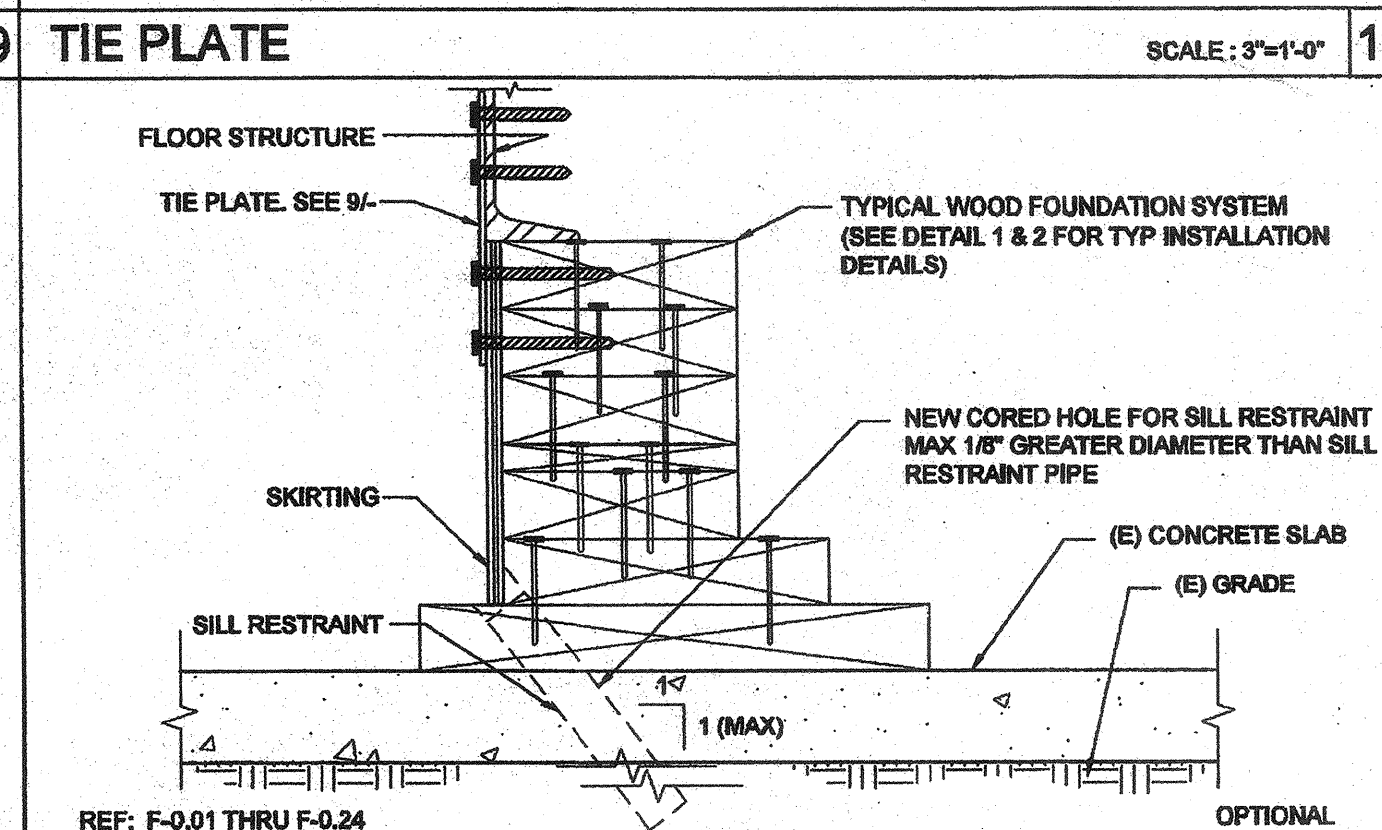
19 TIE PLATE SCALE: 3/4"=1'-0"



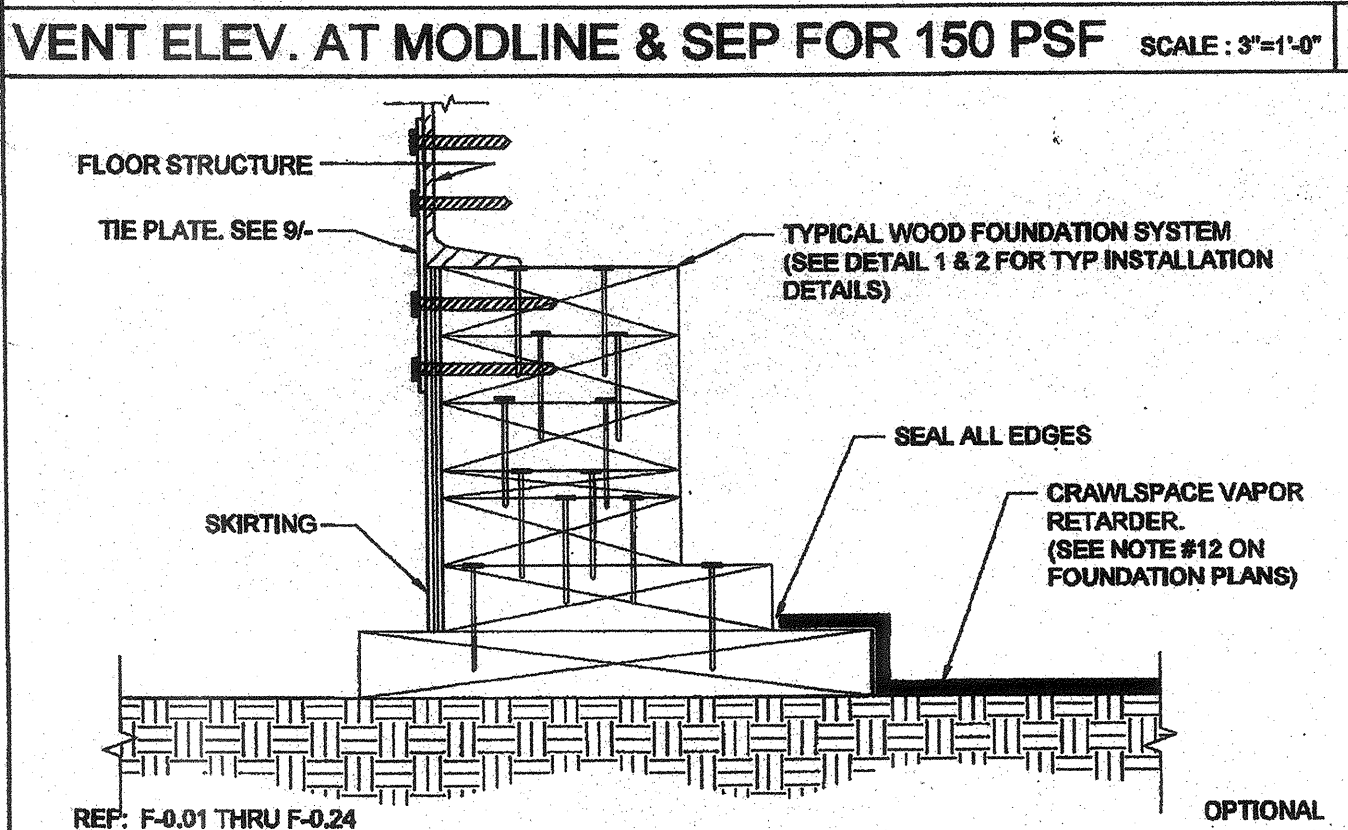
14 VENT ELEV. AT MODLINE & SEP FOR 150 PSF SCALE: 3/4"=1'-0"



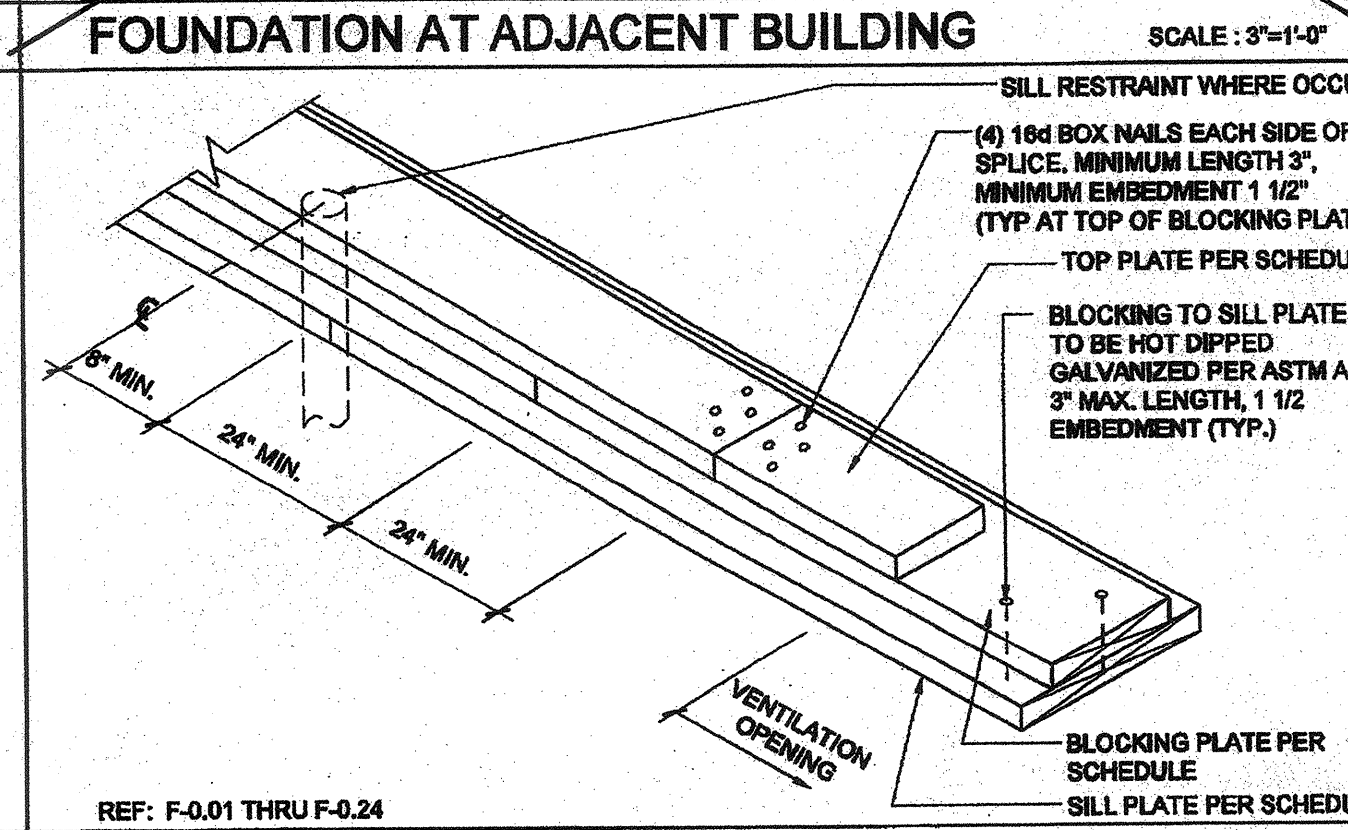
4 FOUNDATION AT ADJACENT BUILDING SCALE: 3/4"=1'-0"



20 FOUNDATION ANCHORAGE AT CONCRETE PAD SCALE: 3/4"=1'-0"



15 CRAWLSPACE VAPOR RETARDER SCALE: 3/4"=1'-0"



5 FOUNDATION SPLICE SCALE: NTS

THESE DRAWINGS AND ALL MATERIAL CONTAINED HEREIN ARE THE PROPERTY OF SILVERCREEK INDUSTRIES, INC (SCI Inc) AND SHALL NOT BE REPRODUCED, COPIED OR OTHERWISE DISPOSED OF DIRECTLY OR INDIRECTLY AND SHALL NOT BE USED IN WHOLE OR IN PART TO ASSIST IN THE MAKING OF OR FOR THE PURPOSE OF FURNISHING ANY INFORMATION FOR THE MAKING OF DRAWINGS, PRINTS, APPARATUS OR PARTS THEREOF WITHOUT THE FULL KNOWLEDGE AND WRITTEN CONSENT OF SCI Inc. ALL PATENTABLE MATERIAL CONTAINED HEREIN AND ORIGINATING WITH SCI Inc SHALL BE THE PROPERTY OF SCI Inc.

**SILVER CREEK INDUSTRIES, INC.**

BUILDING FOR THE NEXT GENERATION

195 EAST MORGAN FERRIS, CALIFORNIA 92571  
PHONE: 951-943-5393 FAX: 951-943-2211

PROJECT NAME:  
**CLASS LEASING CLASSROOMS BLDG'S**

SHEET TITLE:  
**FOUNDATION DETAILS WOOD FOUNDATION**

**TAVARES ASSOCIATES**

ARCHITECT OF RECORD

12/23/2011

ARCHITECT OF RECORD SUBMISSION DATE

REGISTERED ARCHITECT  
TAVARES ASSOCIATES  
STATE OF CALIFORNIA

PROJECT SPECIFIC STATE AGENCY APPROVAL

IDENTIFICATION STAMP  
DIV. OF THE STATE ARCHITECT  
OFFICE OF REGULATION SERVICES

04 112850  
AC FLS SS TH  
DATE AUG 28 2014

ORIGINAL PC STATE AGENCY APPROVAL

IDENTIFICATION STAMP  
DIV. OF THE STATE ARCHITECT  
OFFICE OF REGULATION SERVICES

PC 04-112070  
AC FLS SS TH  
DATE DEC 29 2011

REVISIONS

SILVER CREEK INDUSTRIES  
30' x 32' PC

PROJECT NO:  
DRAWN BY:  
SCALE: AS NOTED  
DATE: 6-17-11

P.C. SHEET NUMBER  
**F-0.50**

**STKP-123**

FOR REFERENCE