

THESE DRAWINGS AND ALL MATERIAL CONTAINED HEREIN ARE THE PROPERTY OF SILVERCREEK INDUSTRIES, INC. (SCI Inc) AND SHALL NOT BE REPRODUCED, COPIED OR OTHERWISE DISPOSED OF DIRECTLY OR INDIRECTLY AND SHALL NOT BE USED IN WHOLE OR IN PART TO ASSIST IN THE MAKING OF OR FOR THE PURPOSE OF FURNISHING ANY INFORMATION FOR THE MAKING OF DRAWINGS, PRINTS, APPARATUS OR PARTS THEREOF WITHOUT THE FULL KNOWLEDGE AND WRITTEN CONSENT OF SCI Inc. ALL PATENTABLE MATERIAL CONTAINED HEREIN AND ORIGINATING WITH SCI Inc SHALL BE THE PROPERTY OF SCI Inc.

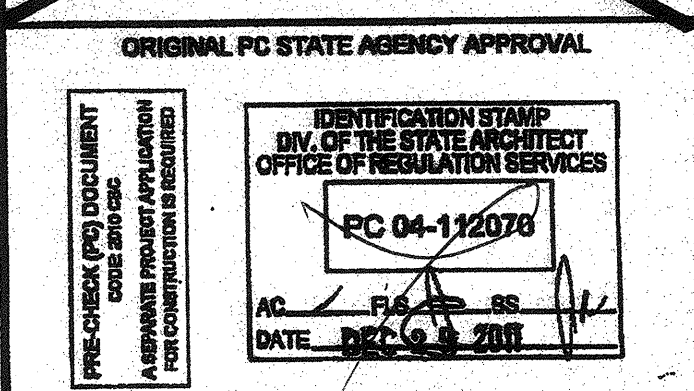
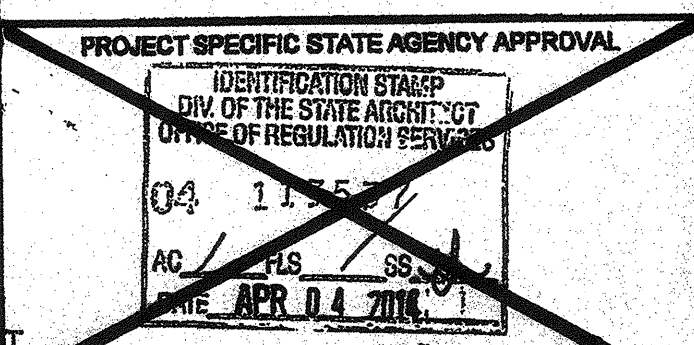
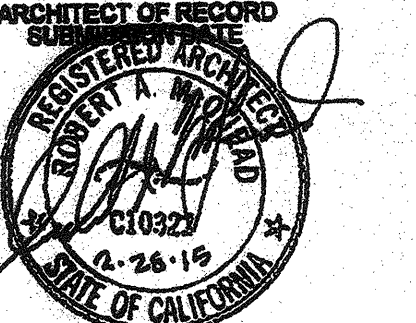
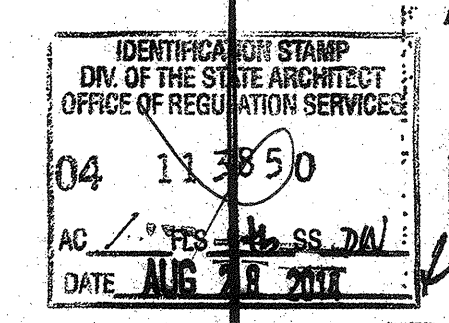
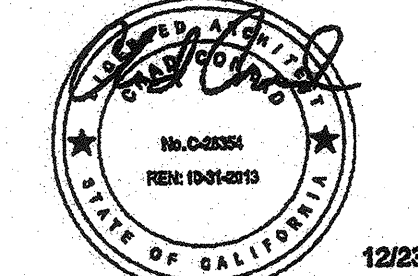
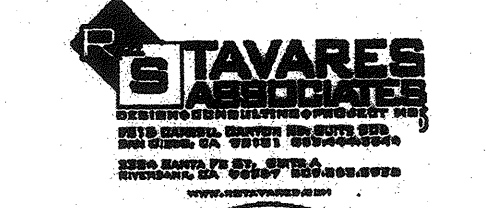
SILVER CREEK INDUSTRIES, INC.



195 EAST MORGAN PARKS, CALIFORNIA 92571  
PHONE: 951-943-5379 FAX: 951-943-2211

PROJECT NAME:  
**CLASS LEASING CLASSROOMS BLDG'S**

SHEET TITLE:  
**ARCHITECTURAL DETAILS  
WOOD STUD - WOOD SIDING**



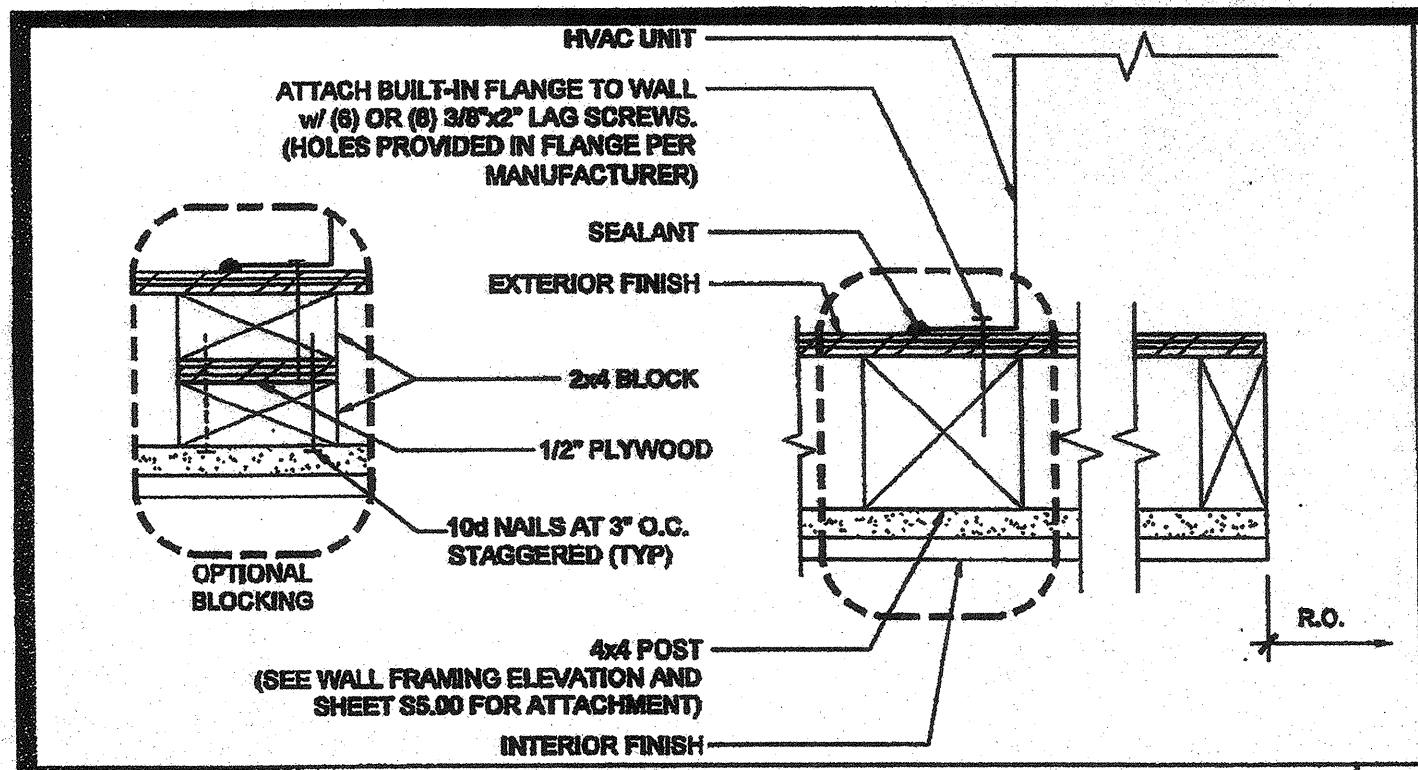
REVISIONS

1	(2-10) REVISIONS TO THE PC
2	ADDED OPTIONAL DETAILS
3	
4	
5	

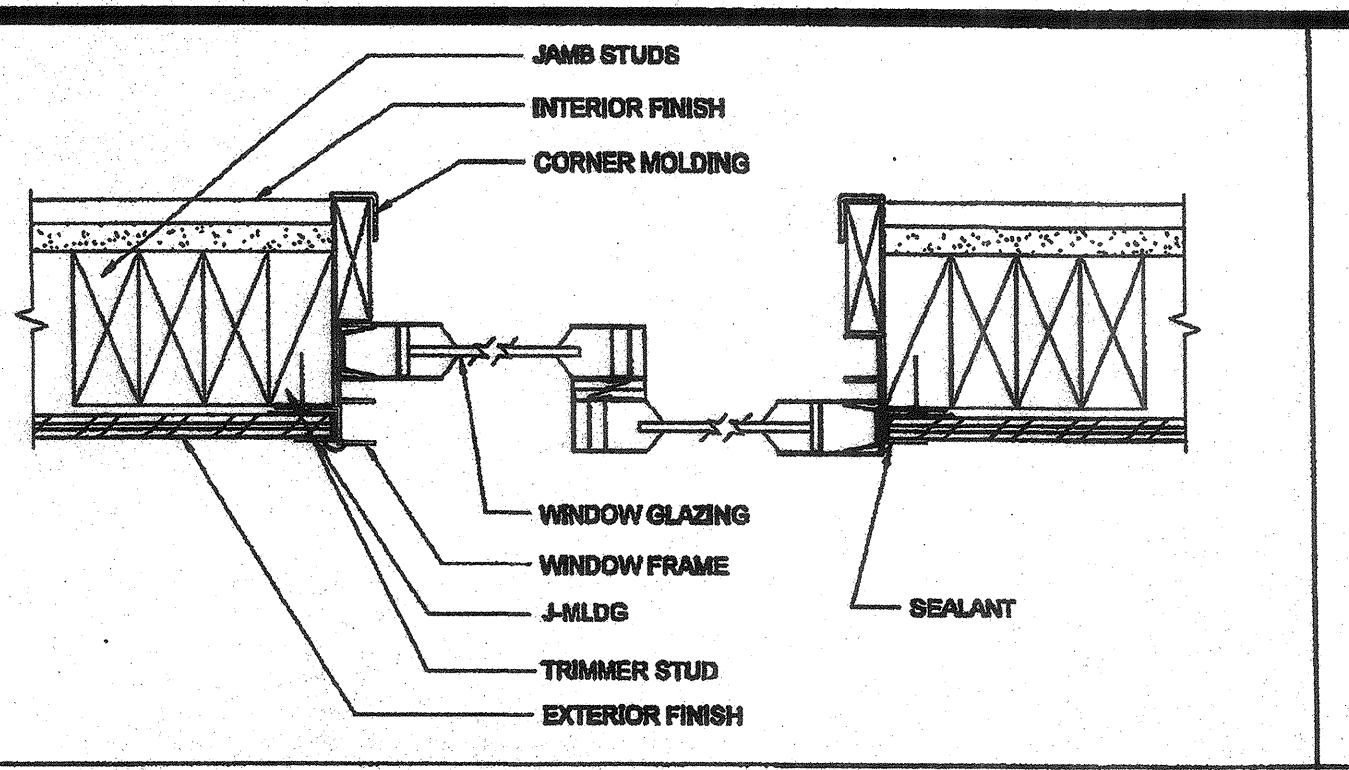
SILVER CREEK INDUSTRIES  
30' x 32' PC

PROJECT NO:  
DRAWN BY:  
SCALE: AS NOTED  
DATE: 8-17-11  
P.C. SHEET NUMBER

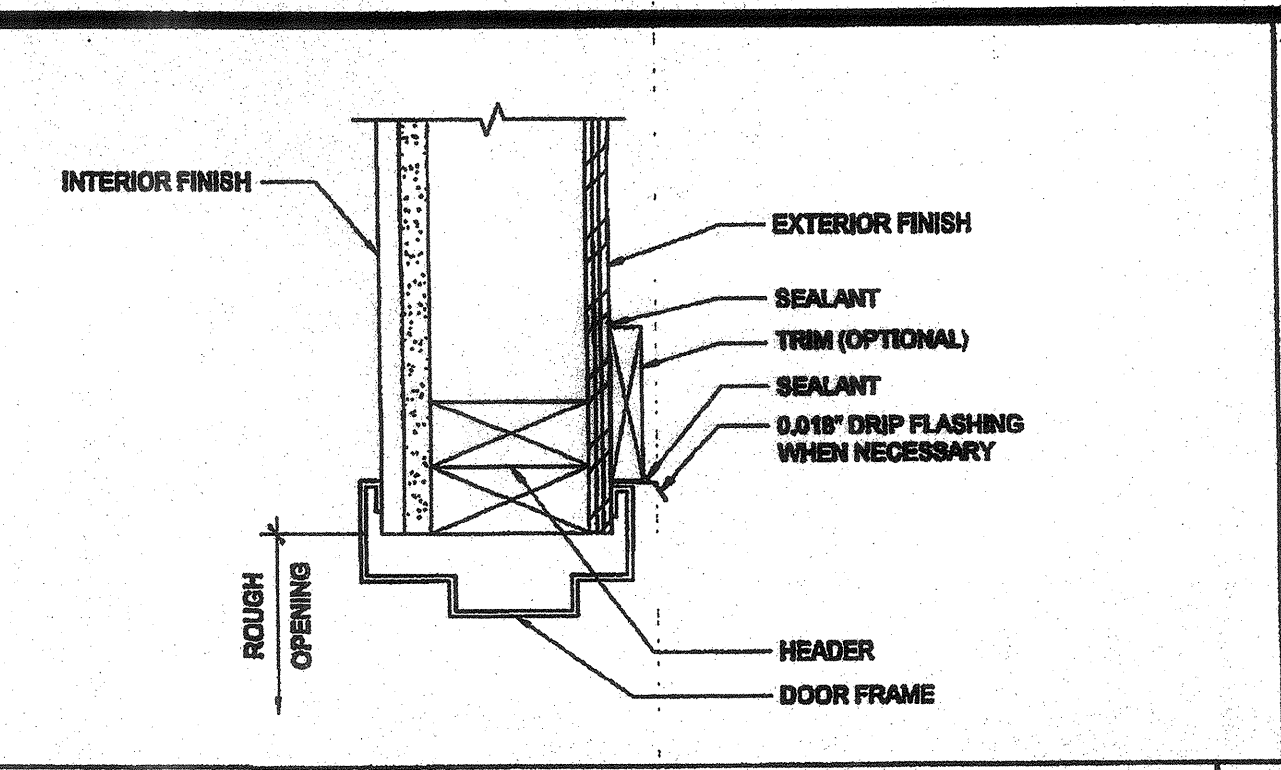
**A-5.50**



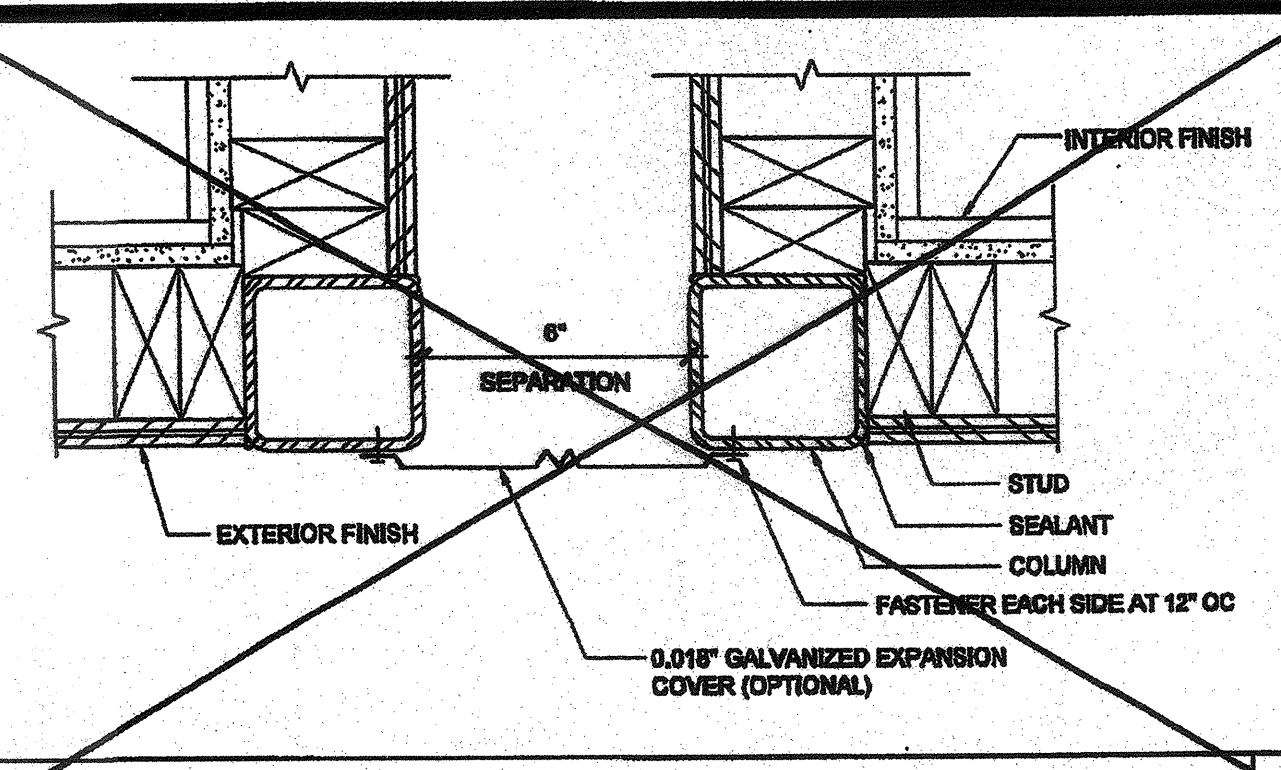
**HVAC MOUNT AT JAMBS** SCALE: 3/4\"/>



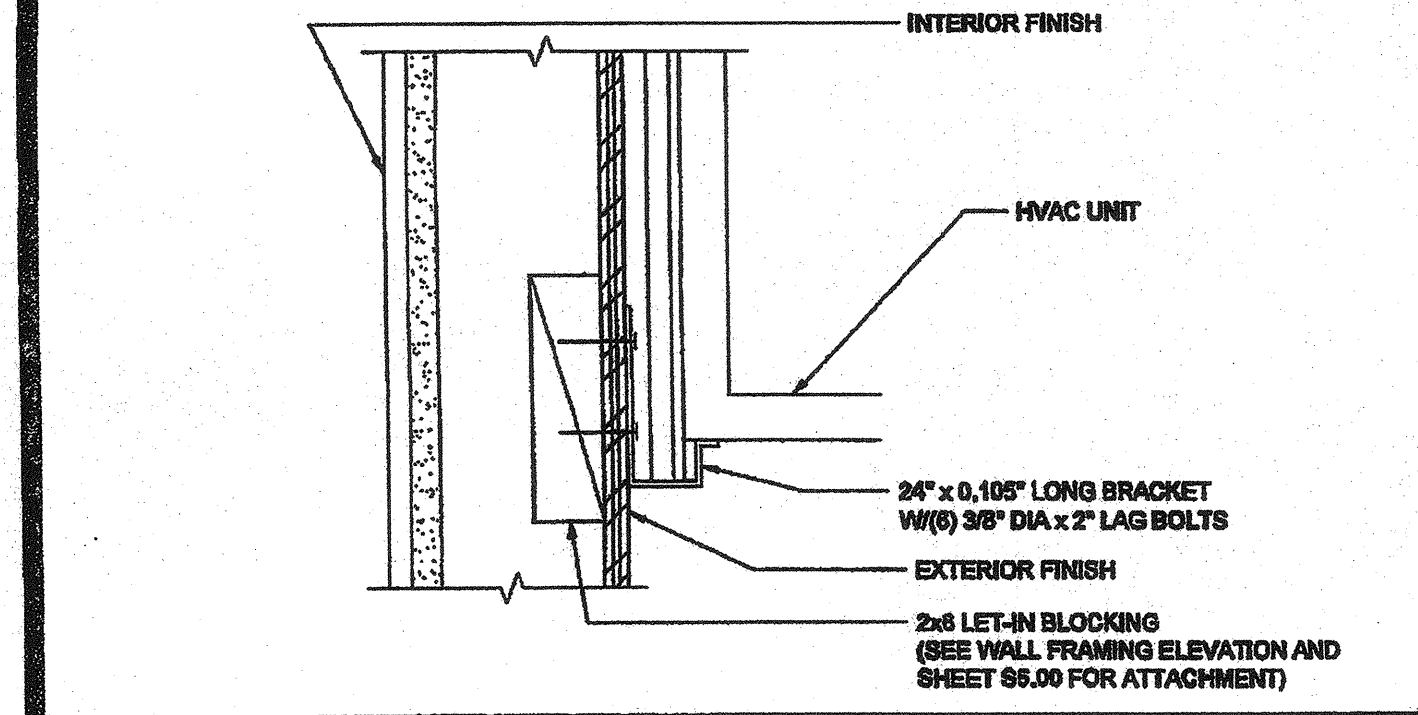
**WINDOW SECTION AT JAMBS** SCALE: 3/4\"/>



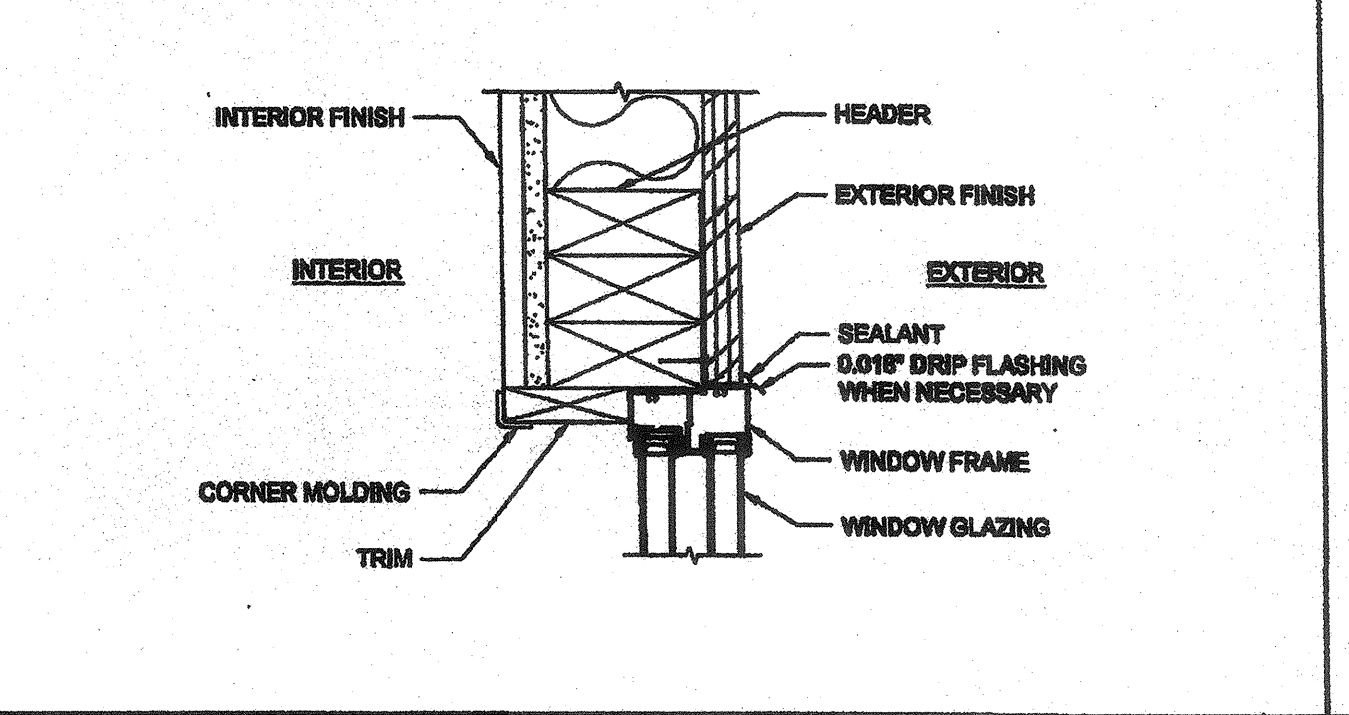
**EXTERIOR DOOR HEADER** SCALE: 3/4\"/>



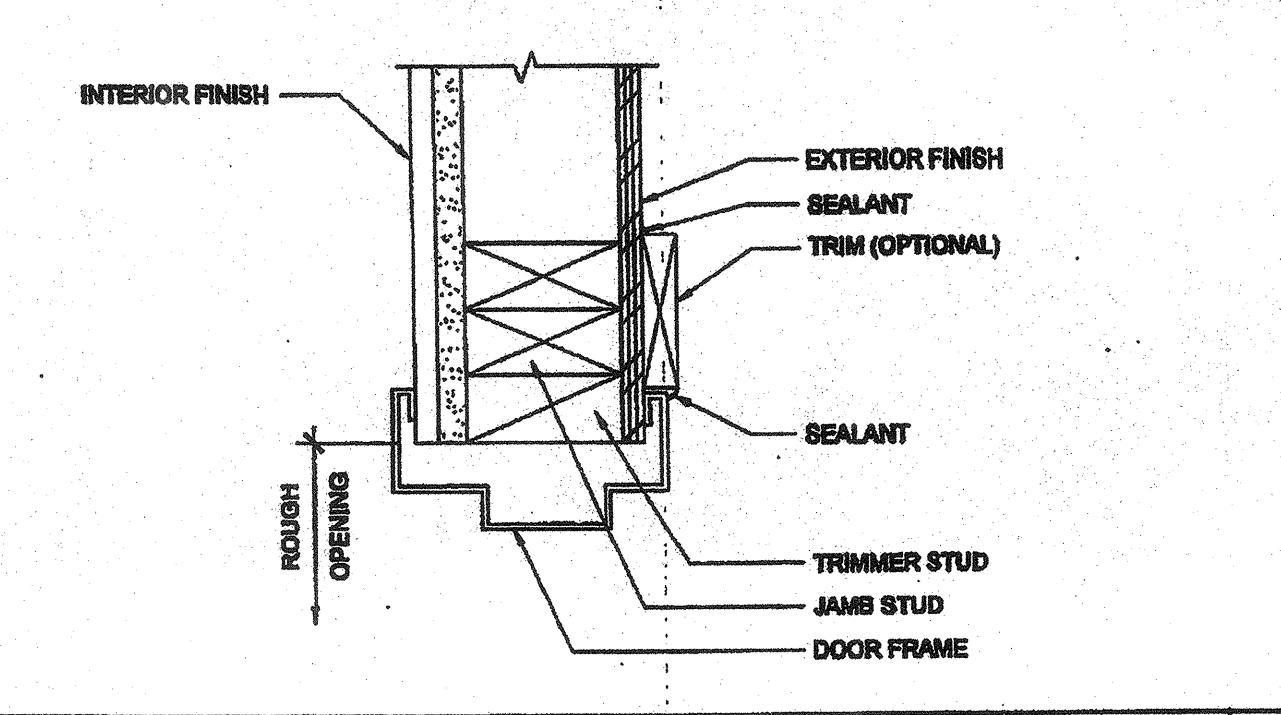
**CLOSURE BETWEEN BUILDINGS** SCALE: 3/4\"/>



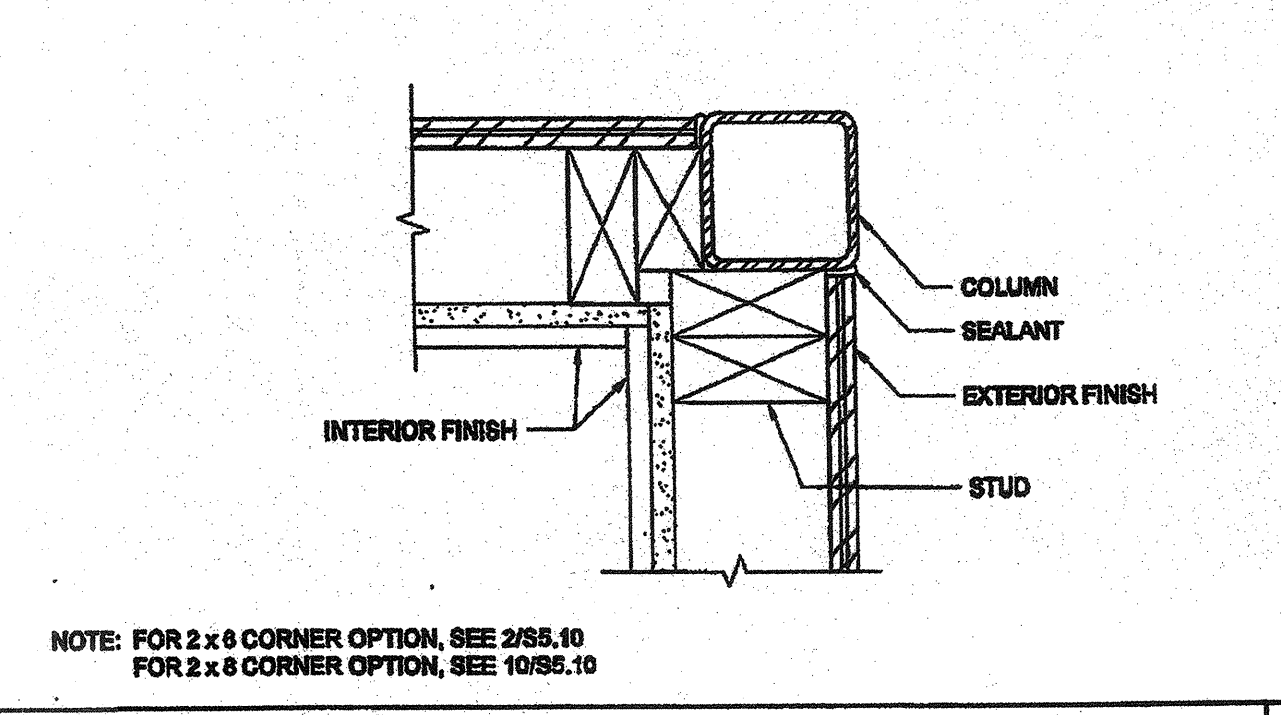
**HVAC UNIT AT BOTTOM** SCALE: 3/4\"/>



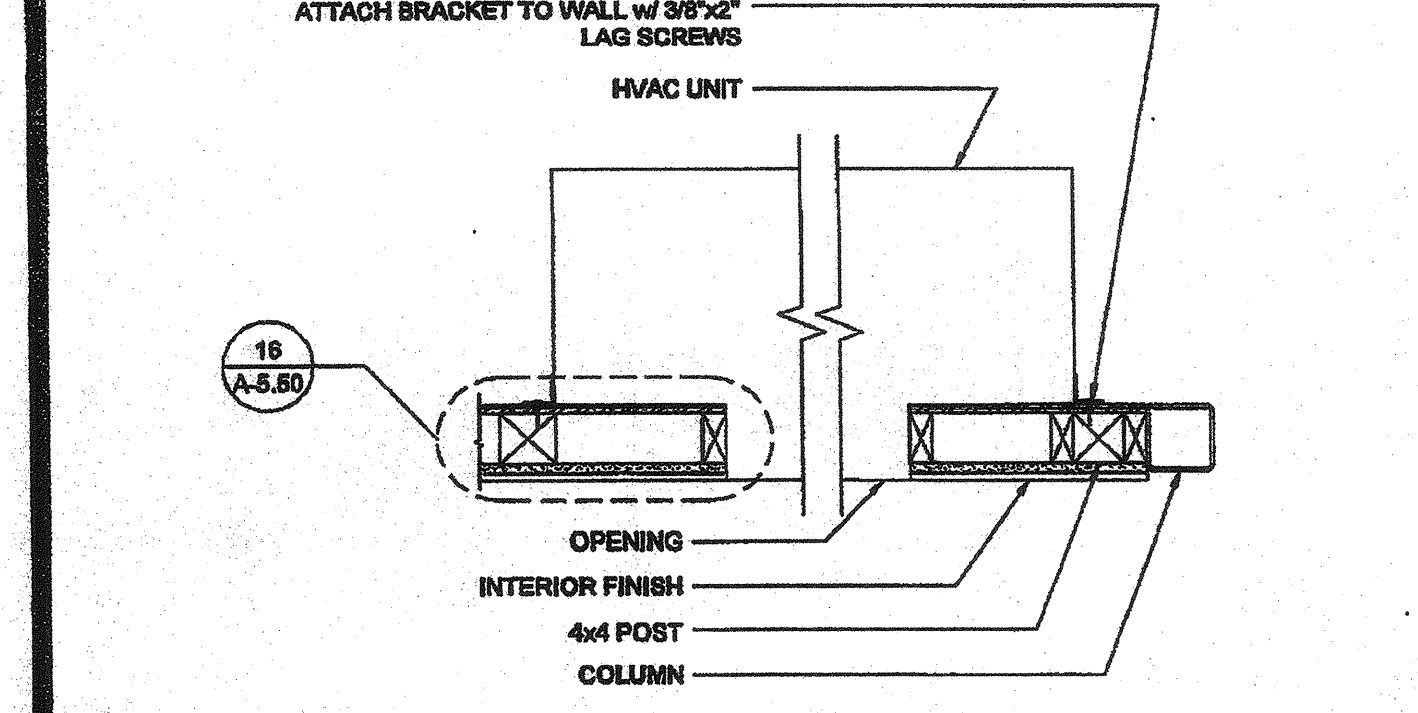
**WINDOW HEADER** SCALE: 3/4\"/>



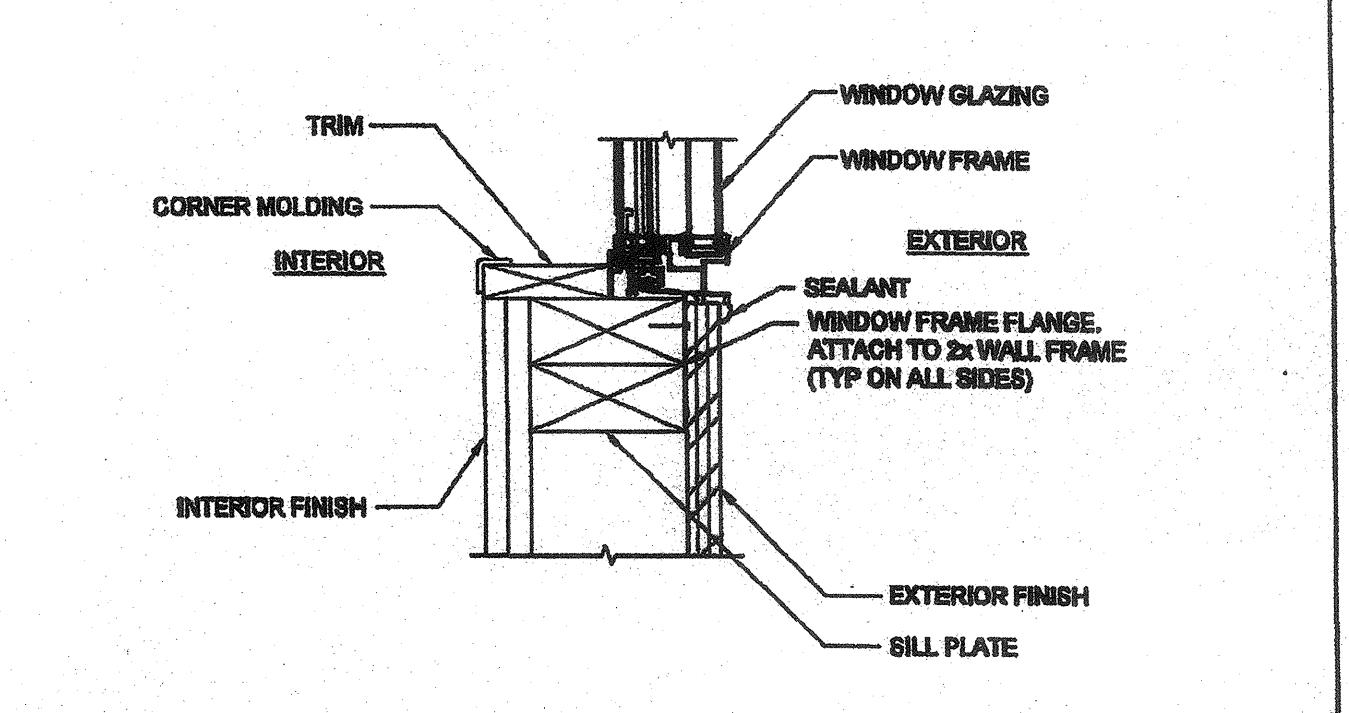
**EXTERIOR DOOR JAMB** SCALE: 3/4\"/>



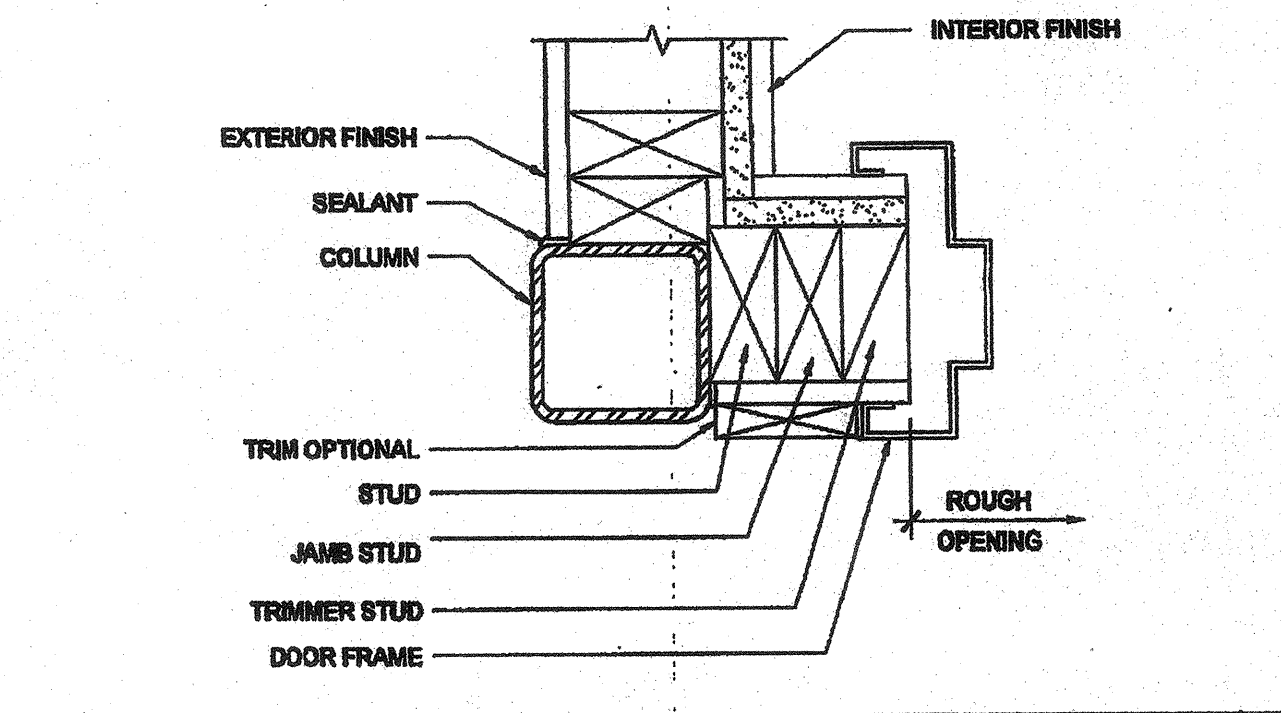
**COLUMN AT CORNER** SCALE: 3/4\"/>



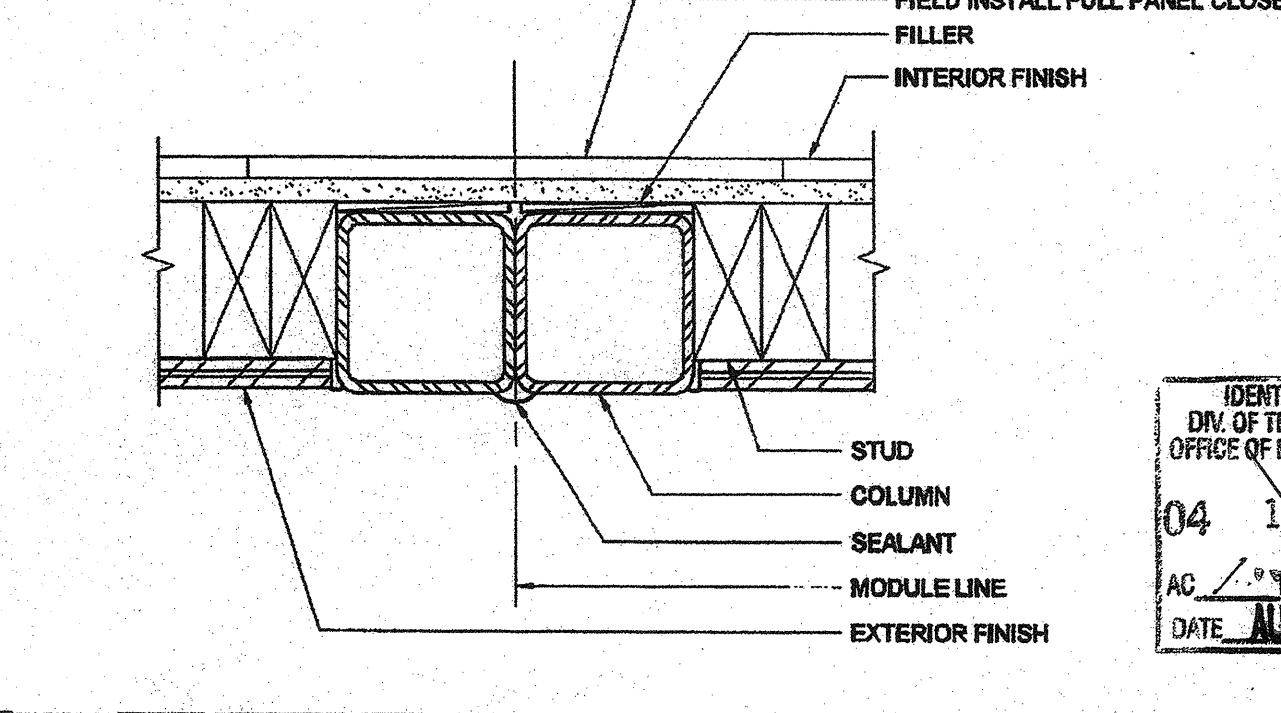
**HVAC UNIT (PLAN)** SCALE: 1\"/>



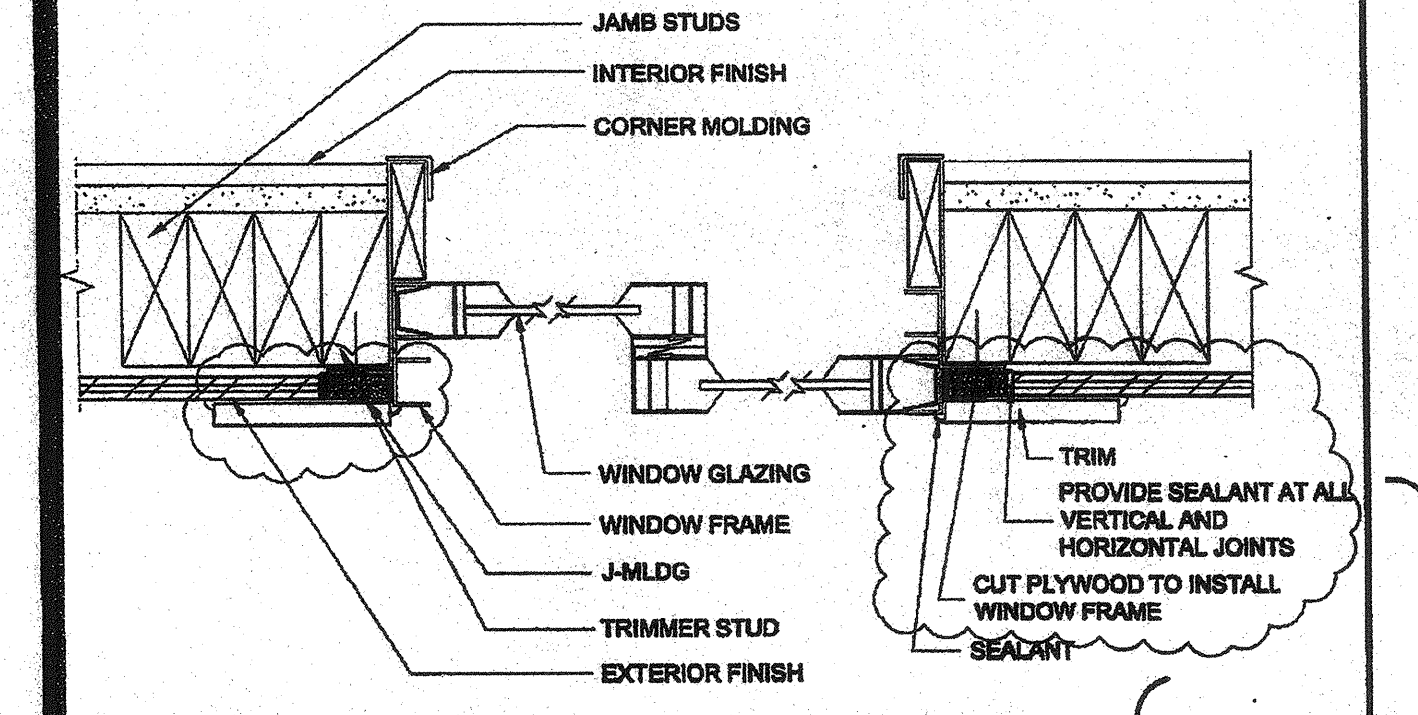
**WINDOW SILL** SCALE: 3/4\"/>



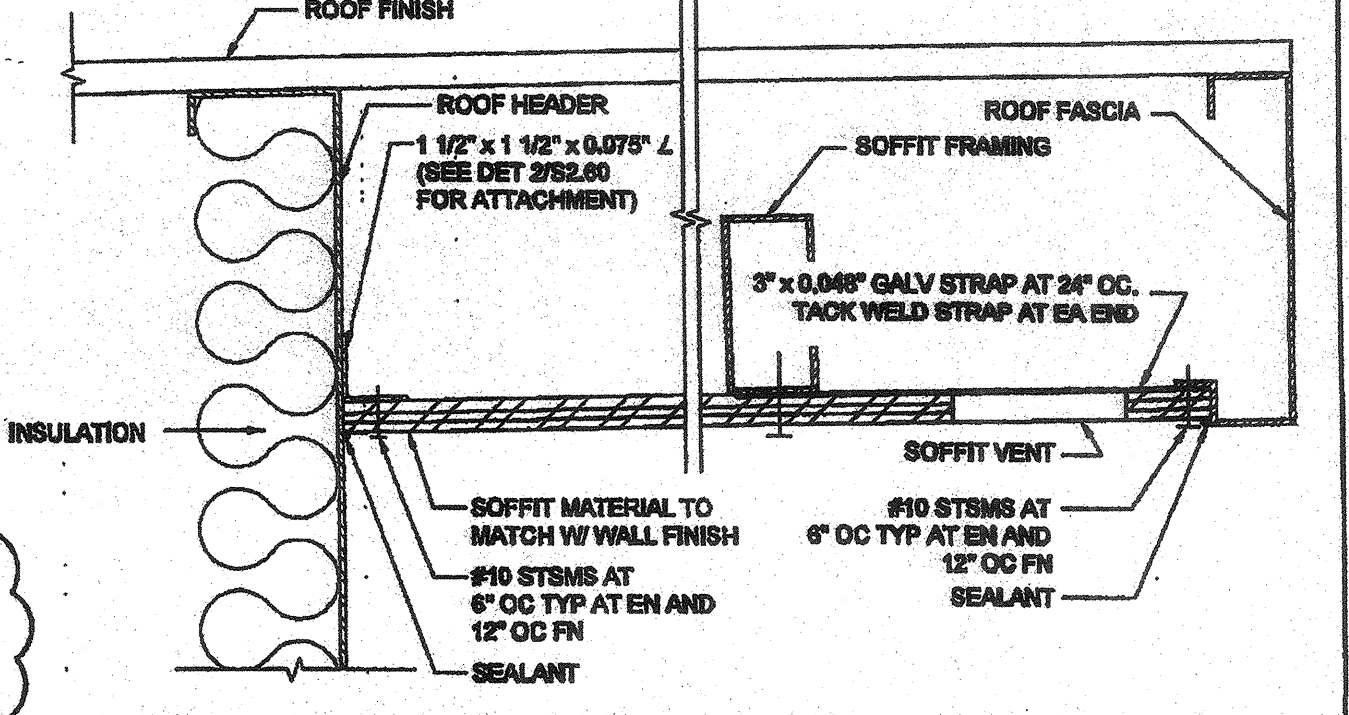
**EXTERIOR DOOR JAMB** SCALE: 3/4\"/>



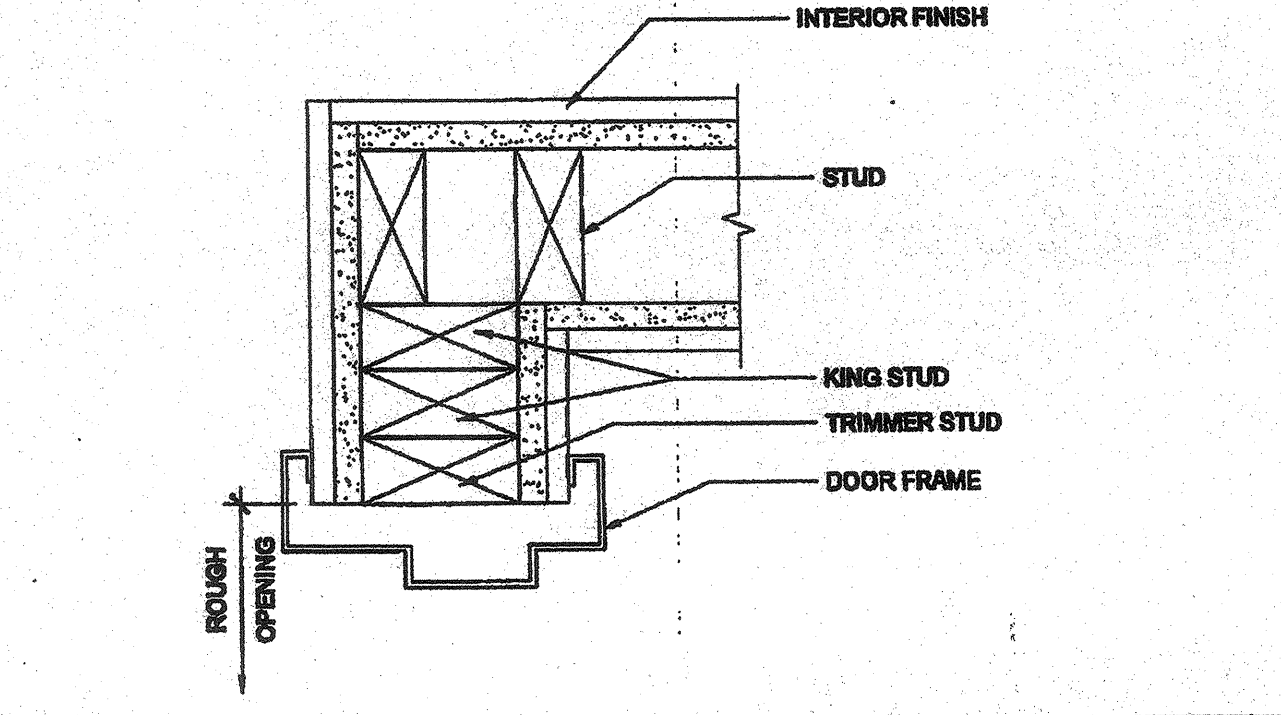
**COLUMN AT MODULE LINE (FULL PANEL CLOSE-UP)** SCALE: 3/4\"/>



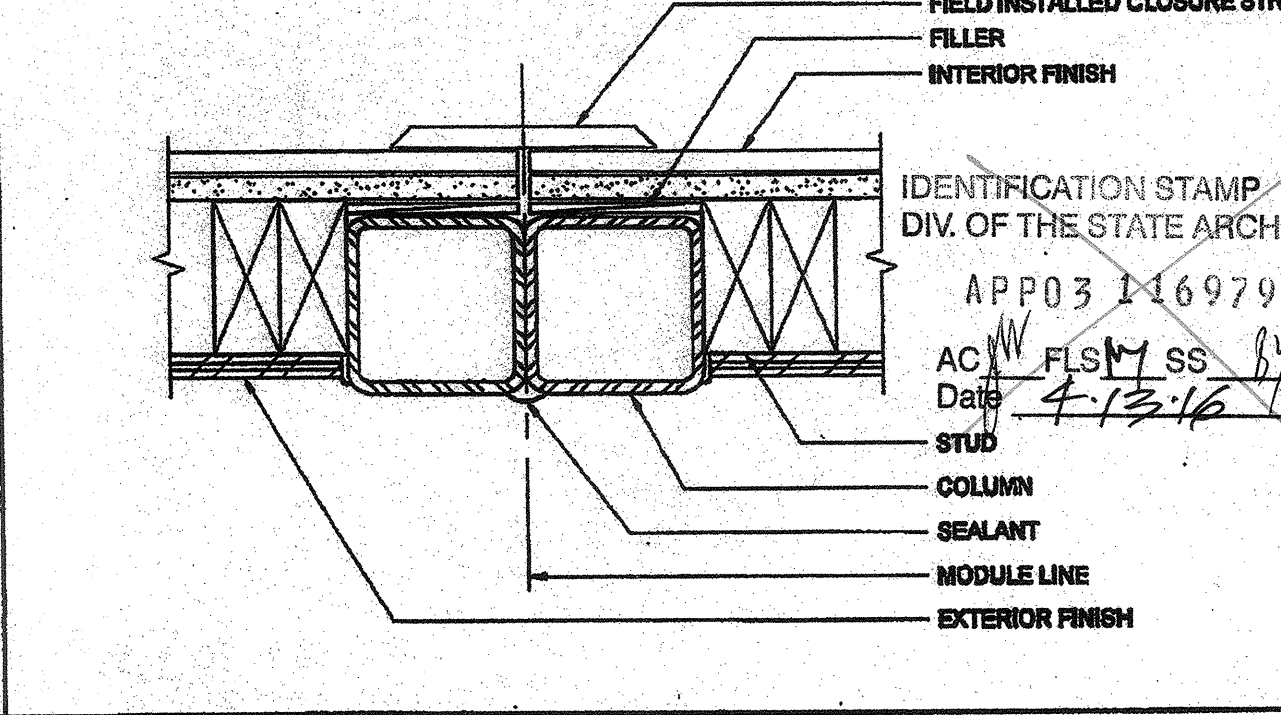
**WINDOW SECTION AT JAMS OPTION** SCALE: 3/4\"/>



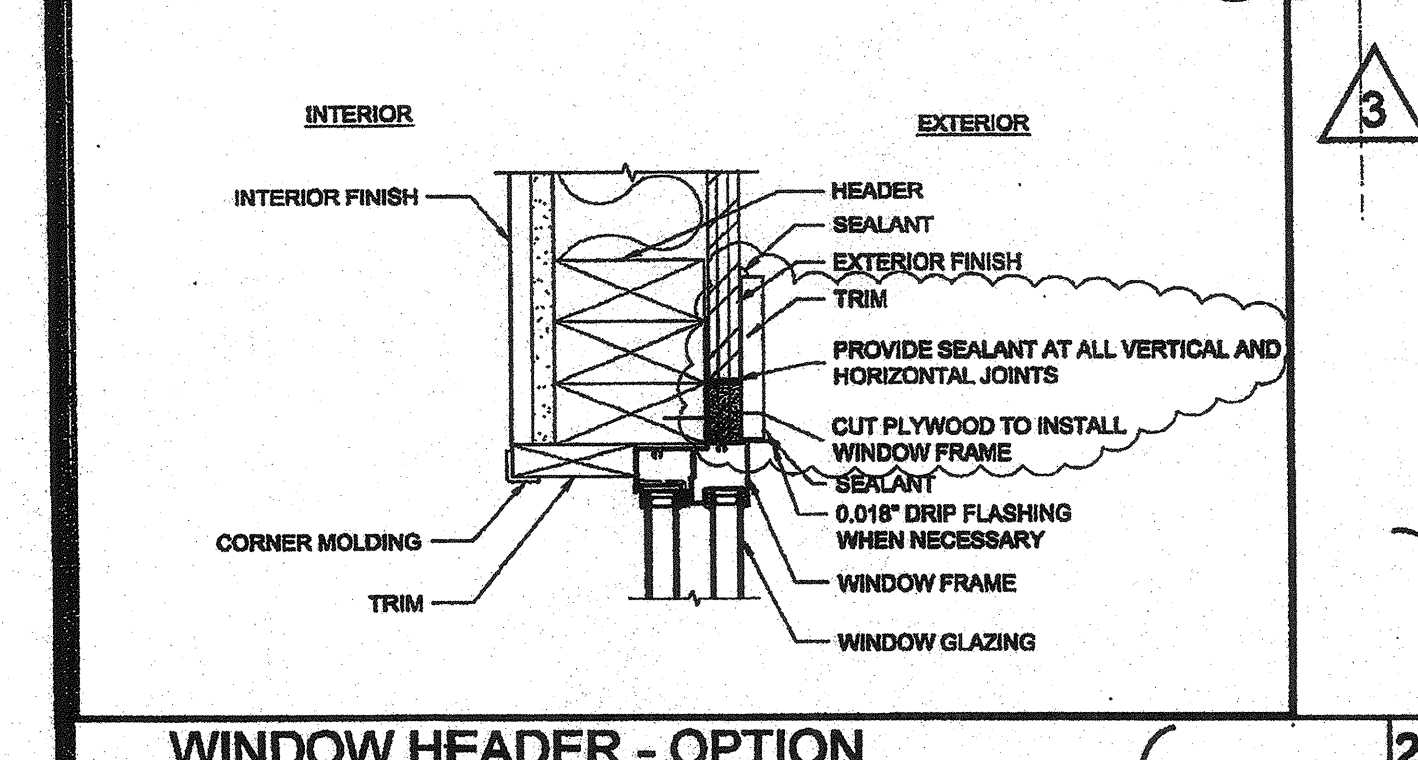
**SOFFIT AT ROOF HEADER WITH VENT** SCALE: 3/4\"/>



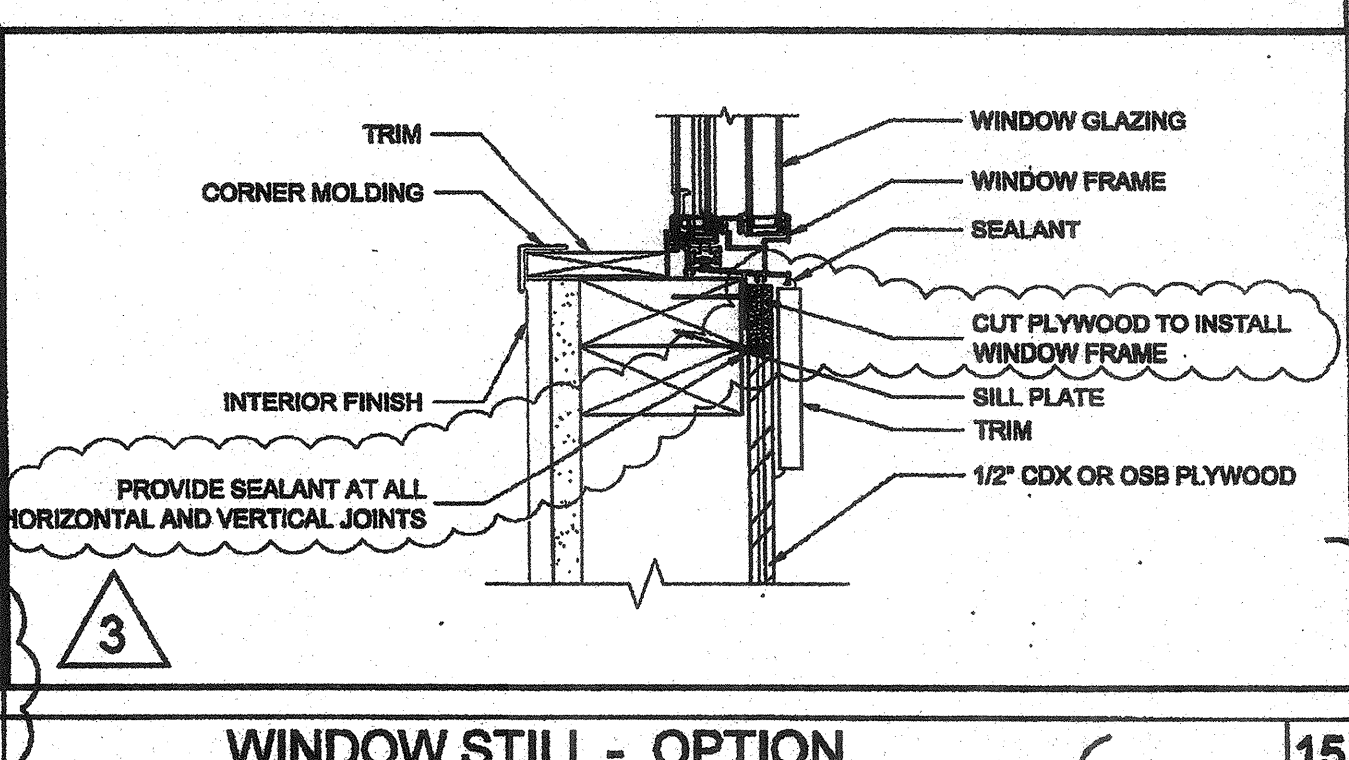
**INTERIOR DOOR JAMB** SCALE: 3/4\"/>



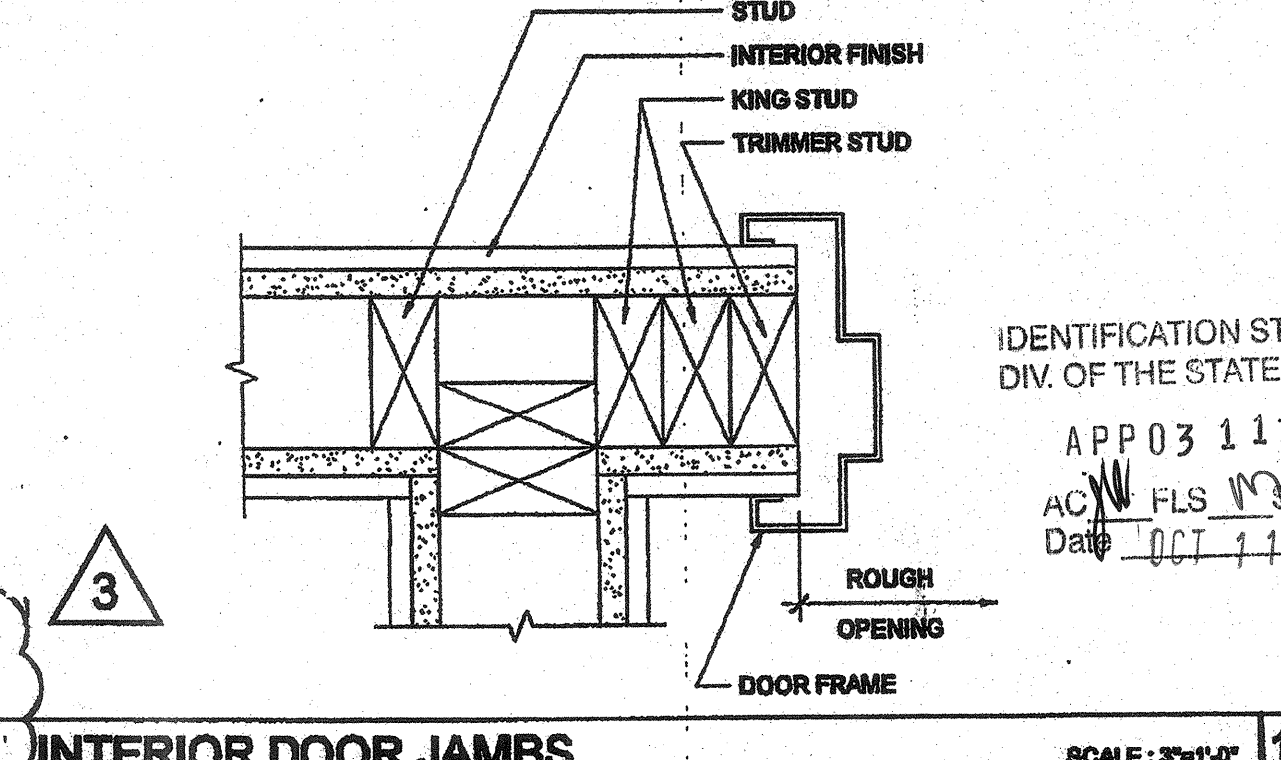
**COLUMN AT MODULE LINE (CLOSURE STRIP)** SCALE: 3/4\"/>



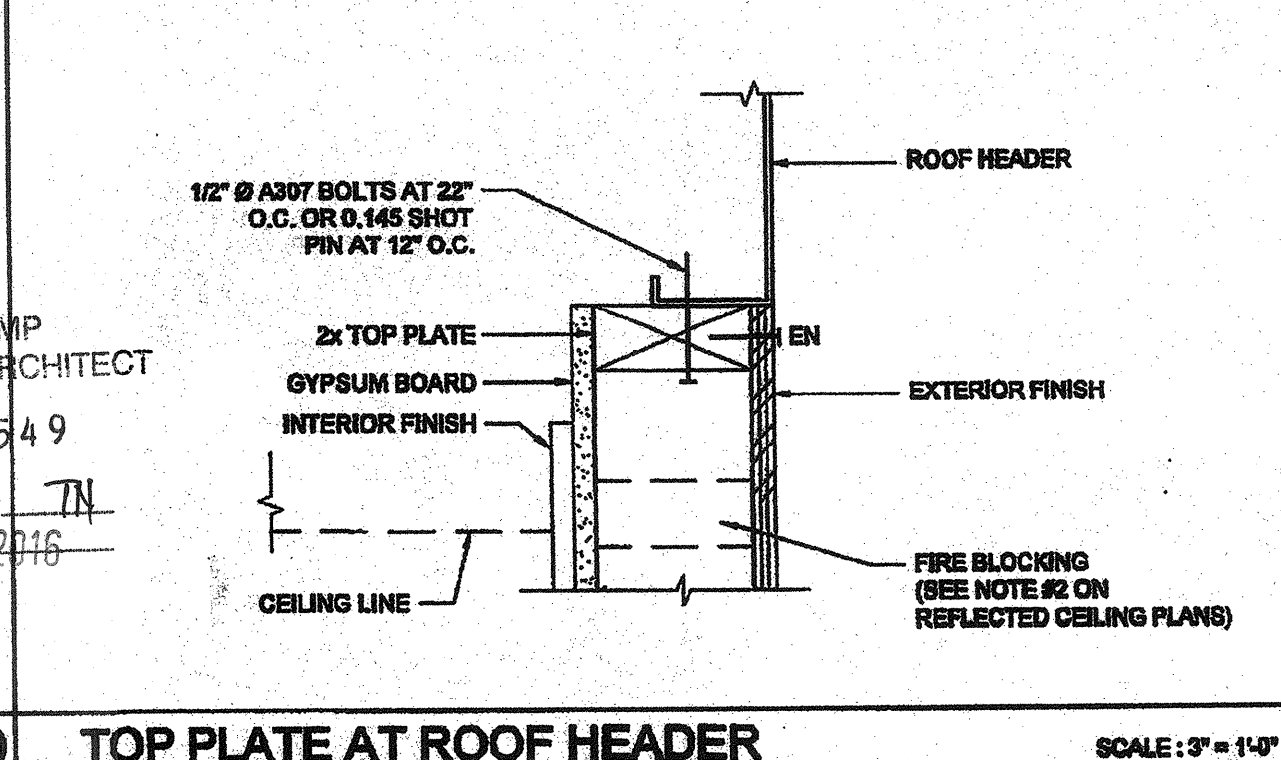
**WINDOW HEADER - OPTION** SCALE: 3/4\"/>



**WINDOW STILL - OPTION** SCALE: 3/4\"/>



**INTERIOR DOOR JAMBS** SCALE: 3/4\"/>



**TOP PLATE AT ROOF HEADER** SCALE: 3/4\"/>