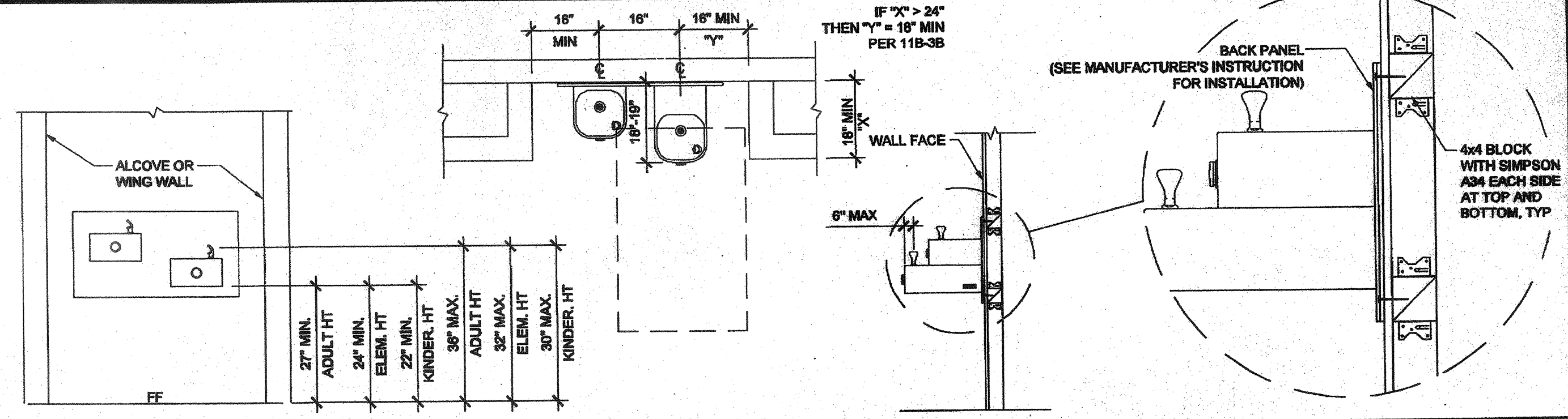
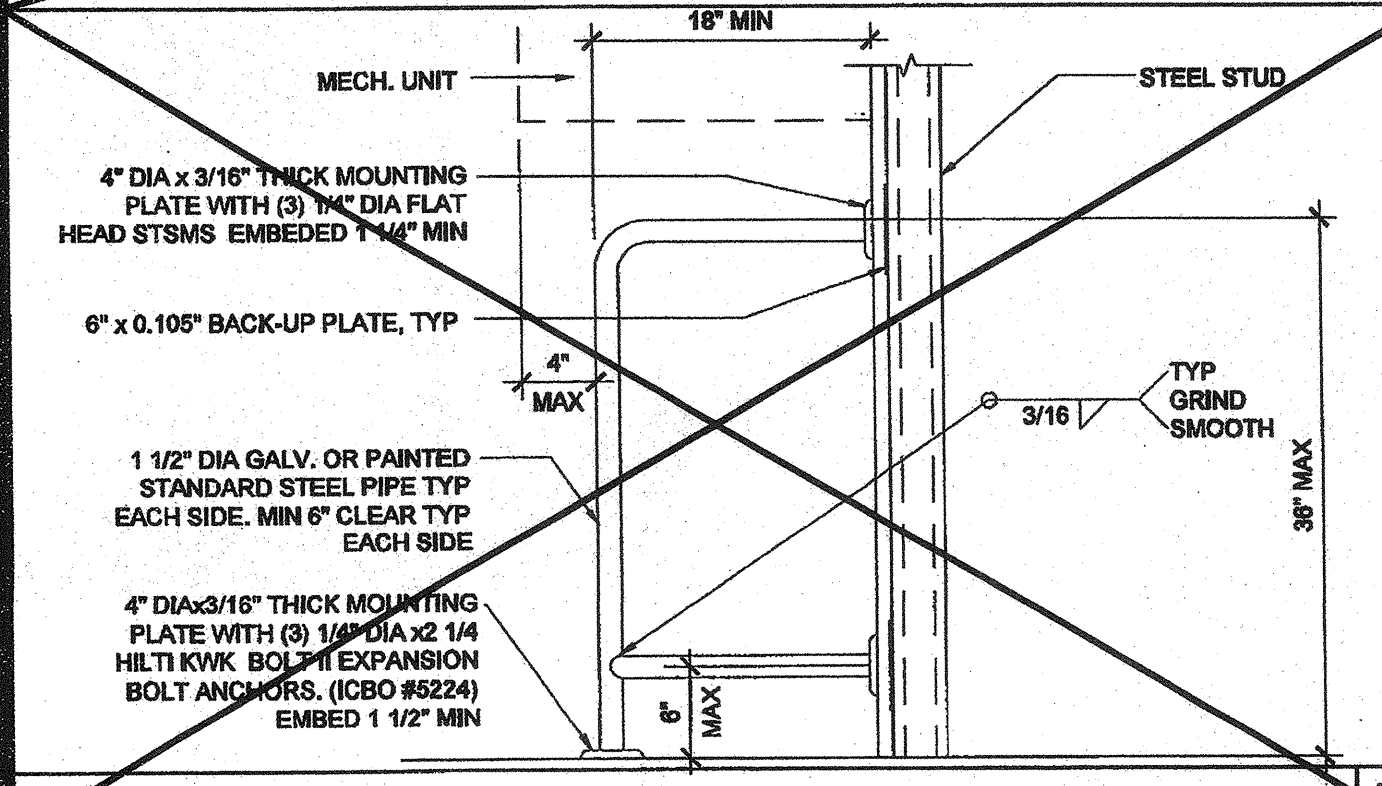


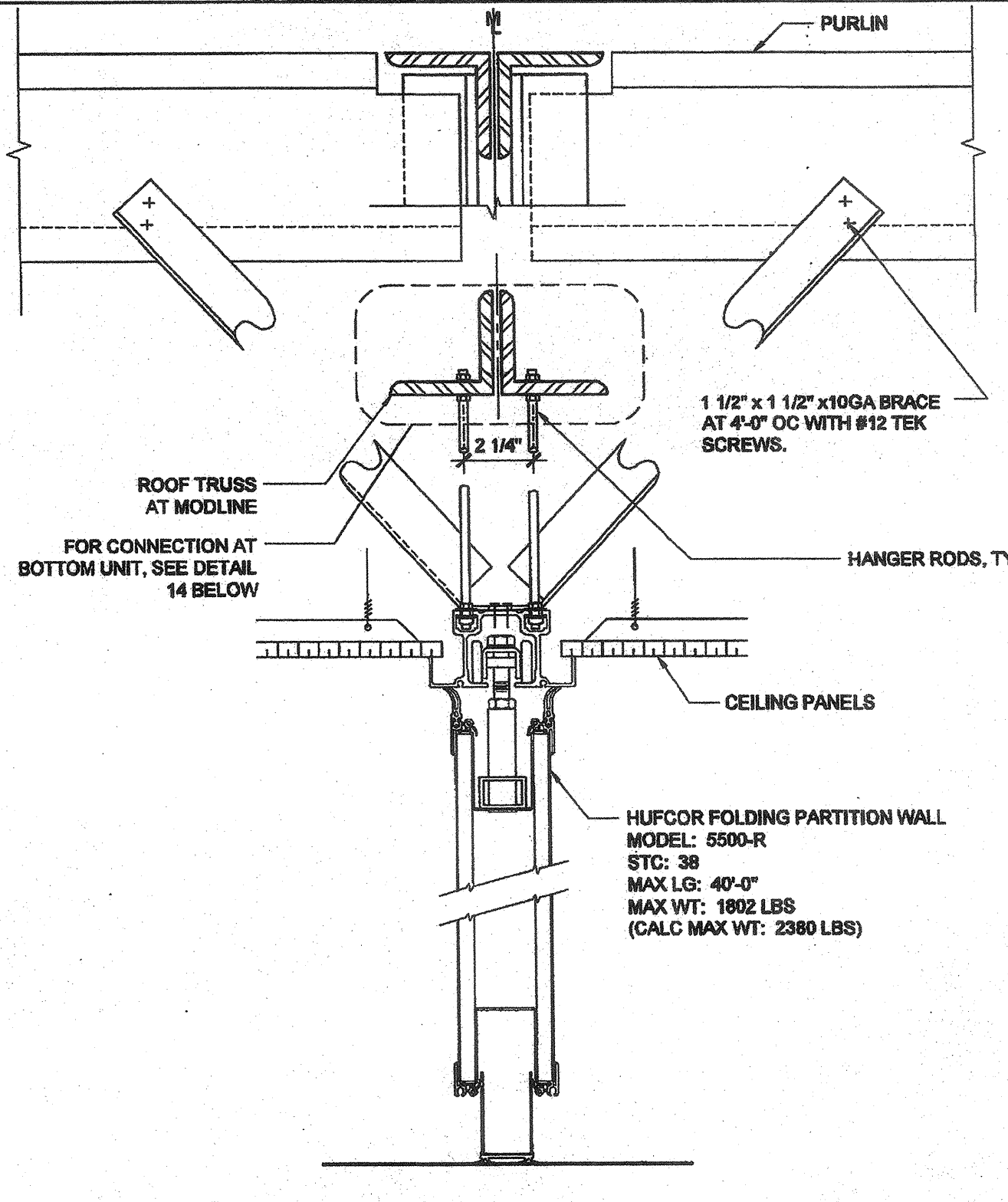
DRINKING FOUNTAIN BLOCKING DETAIL AT STEEL STUD SCALE: 1/2" = 1'-0" 11



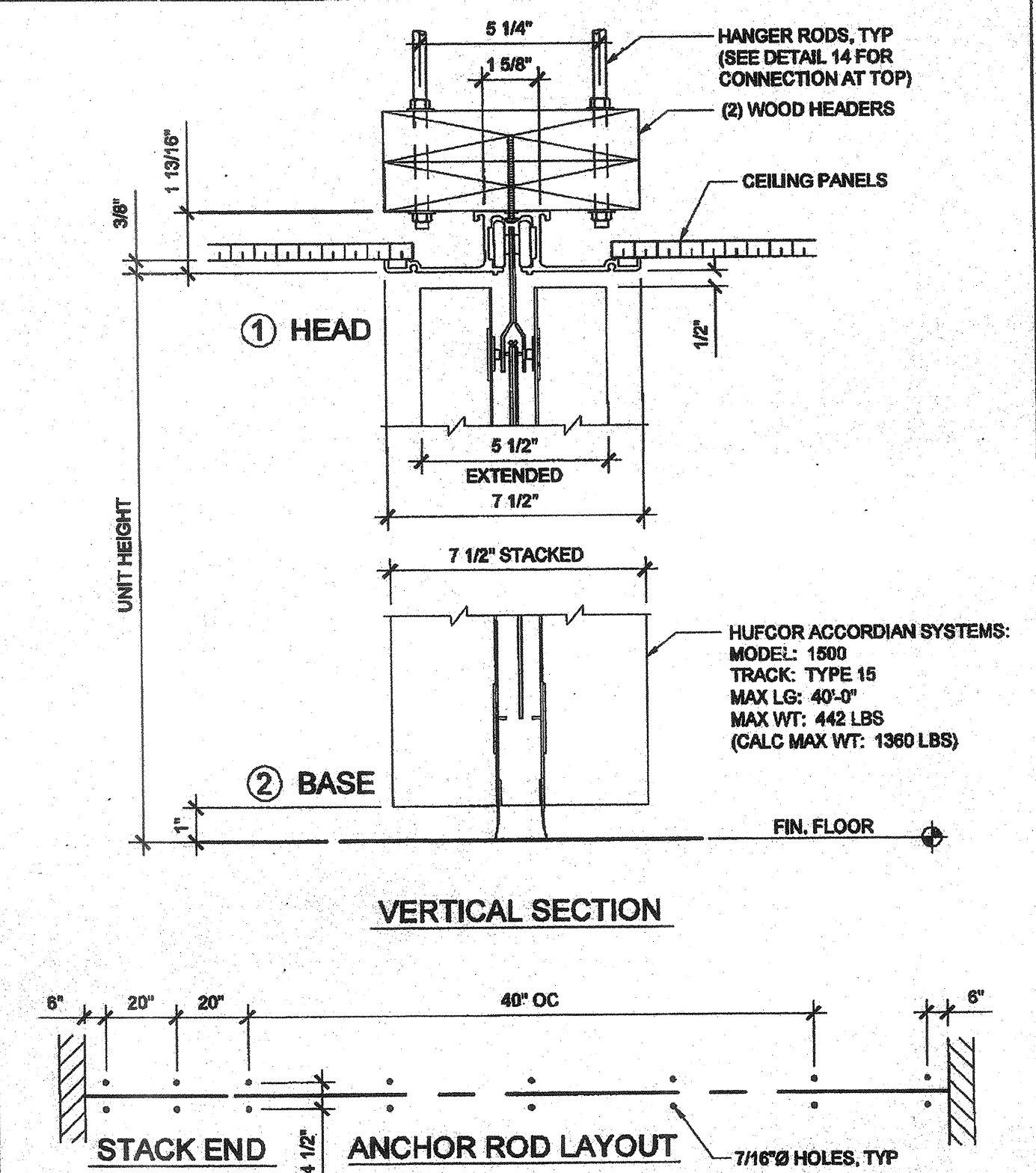
DRINKING FOUNTAIN BLOCKING DETAIL AT WOOD STUD SCALE: 1/2" = 1'-0" 1



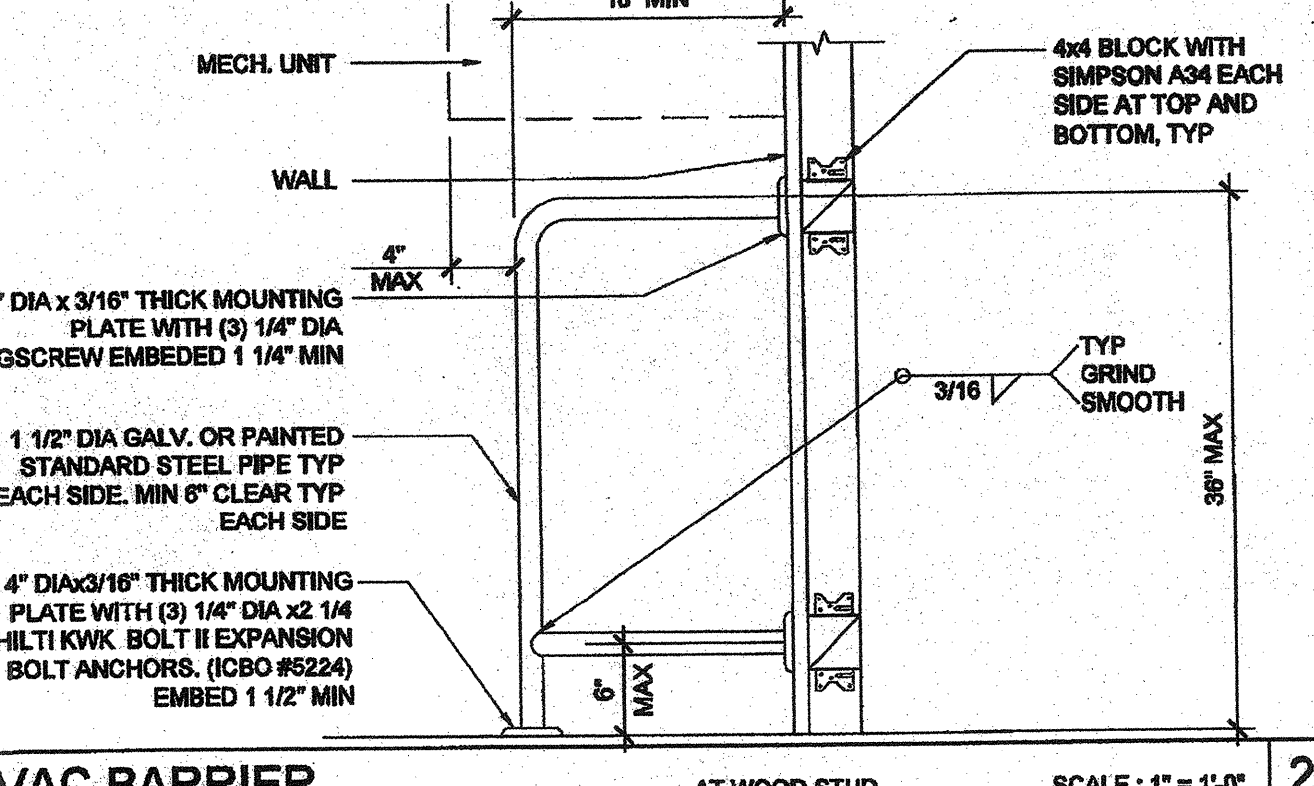
HVAC BARRIER AT STEEL STUD SCALE: 1" = 1'-0" 17



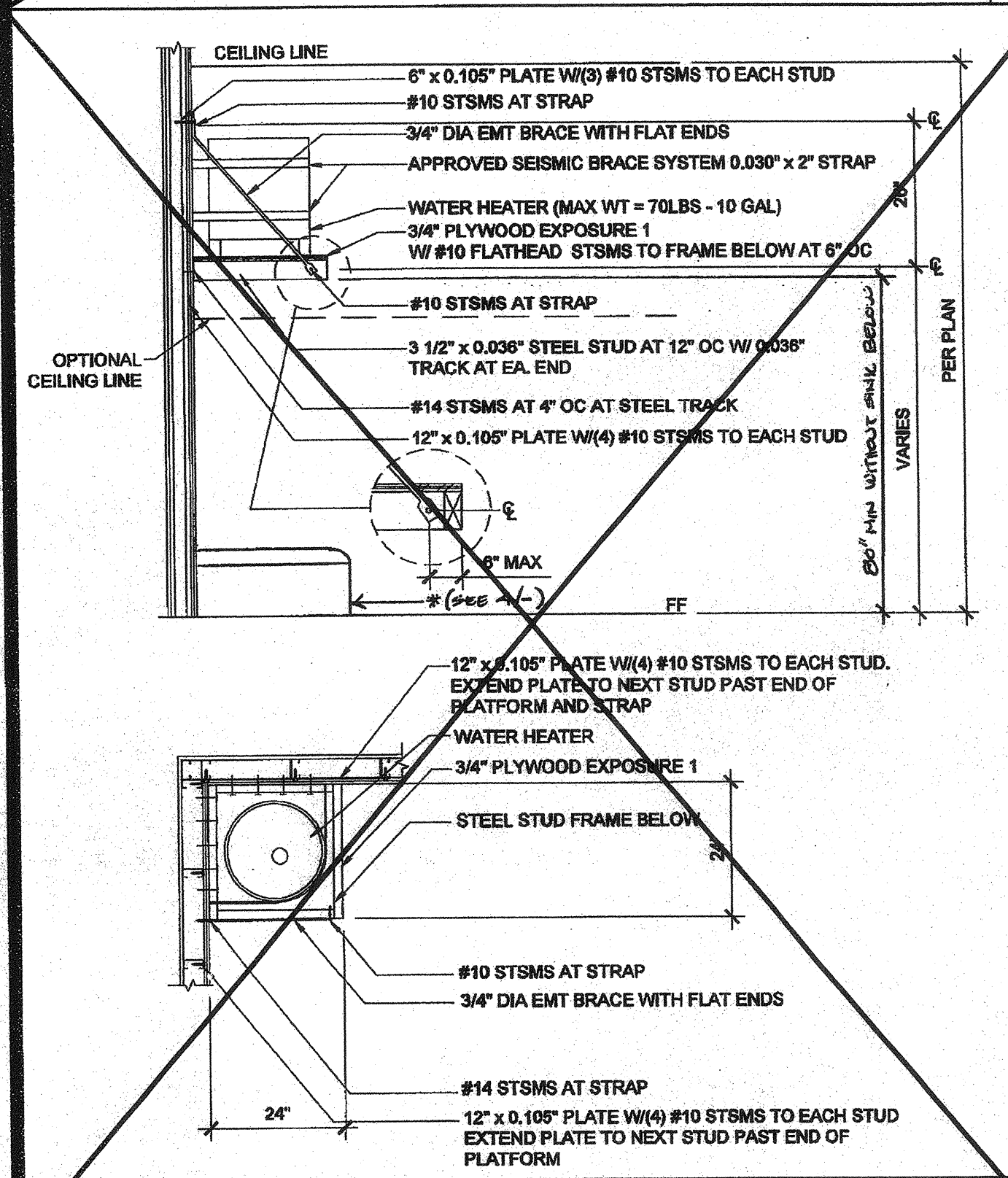
FOLDING WALL PARTITION ATTACH @ TOP UNIT SCALE: 3" = 1'-0" 13



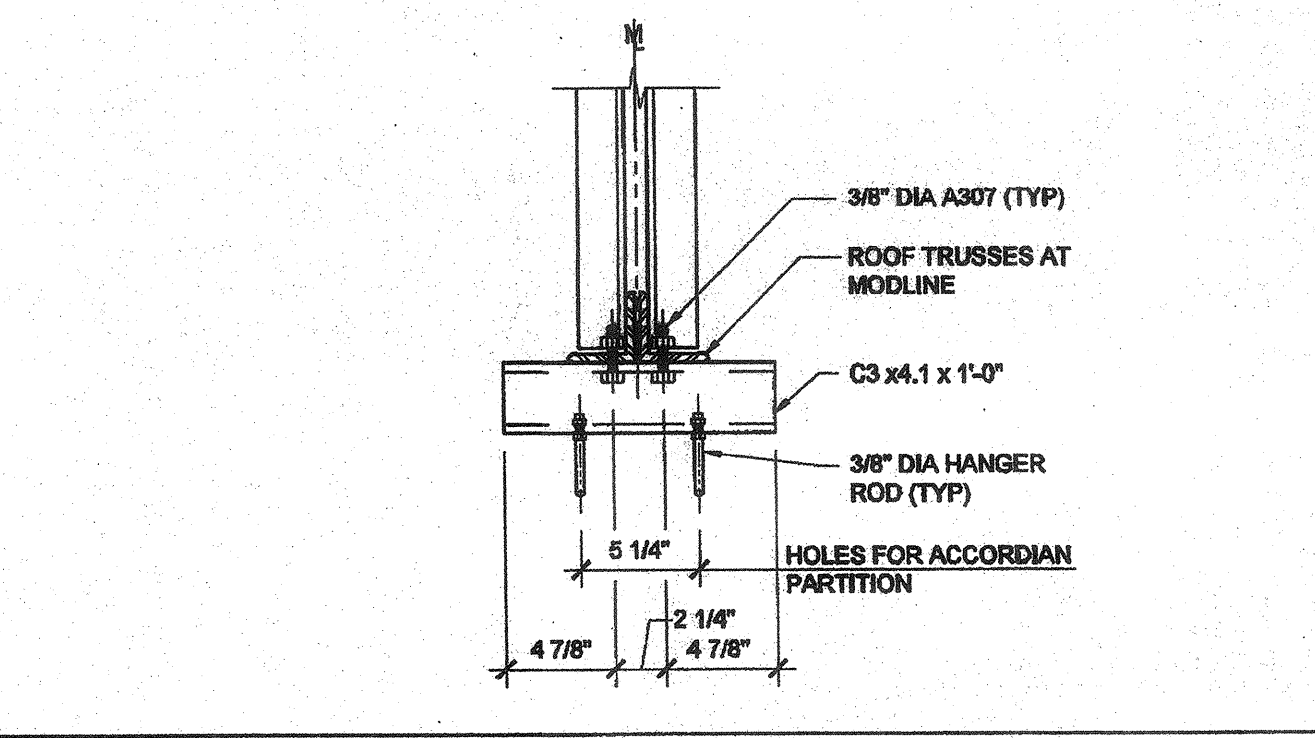
ACCORDIAN PARTITION ATTACHMENT SCALE: 3" = 1'-0" 8



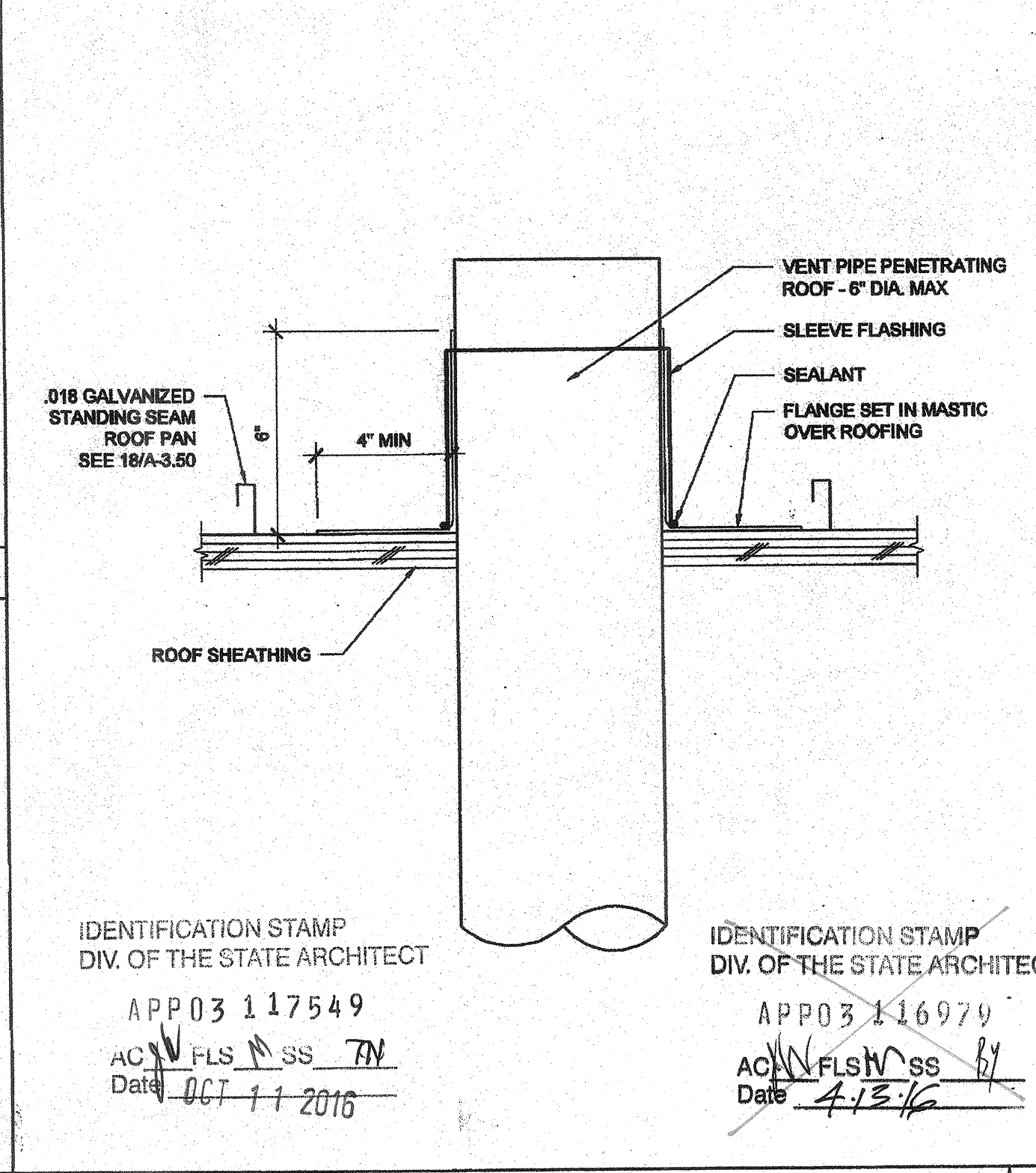
HVAC BARRIER AT WOOD STUD SCALE: 1" = 1'-0" 2



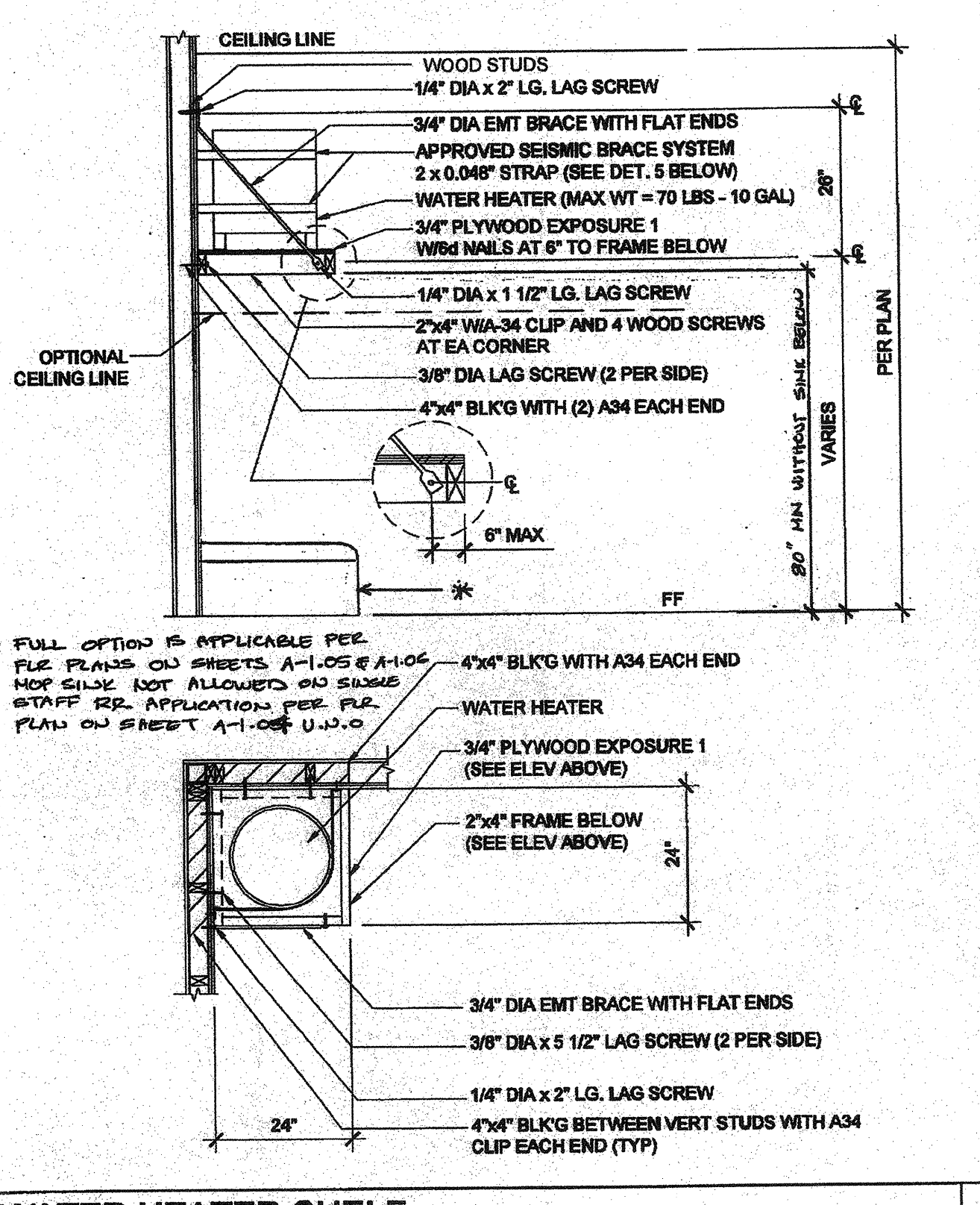
WATER HEATER SHELF AT STEEL STUD SCALE: 1/2" = 1'-0" 19



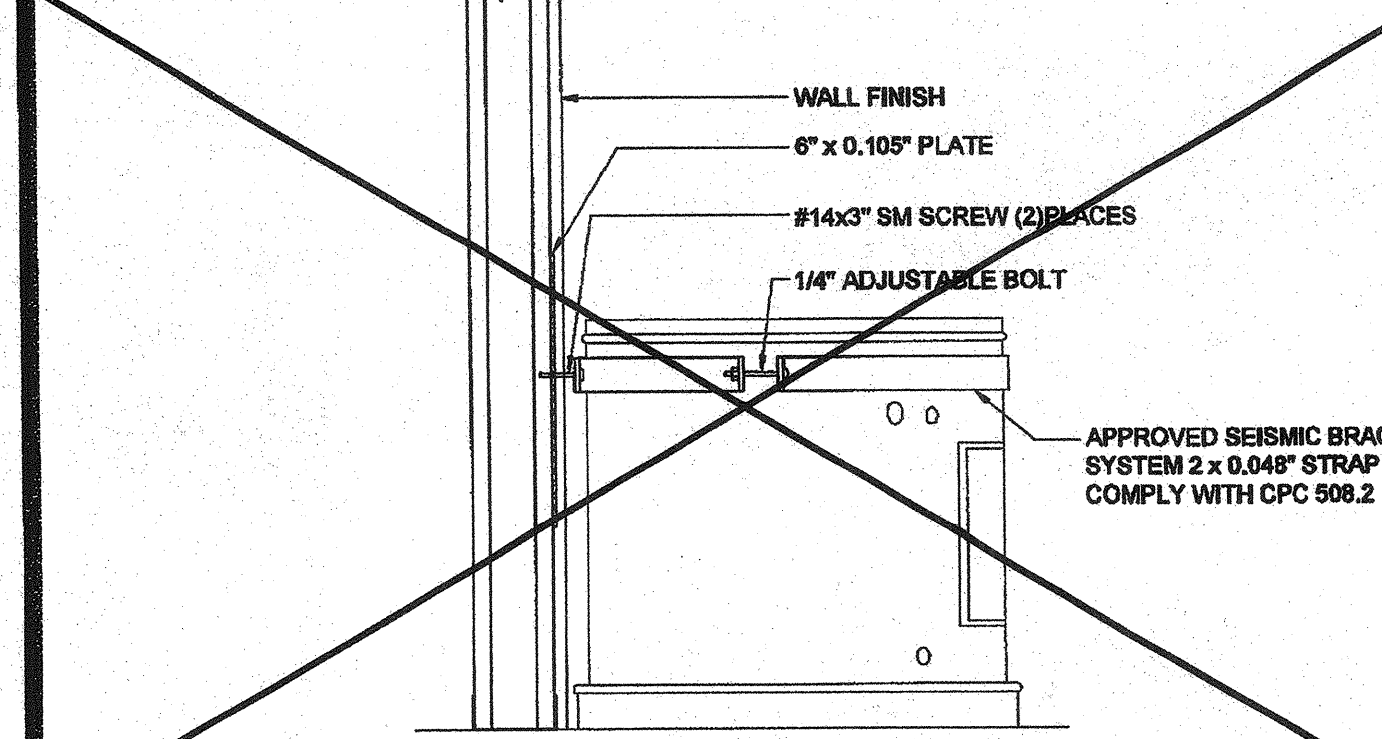
ACCORDIAN DOOR - TOP CONN AT TRUSS SCALE: 1 1/2" = 1'-0" 14



PIPE PENETRATION THROUGH ROOF SCALE: 3" = 1'-0" 10



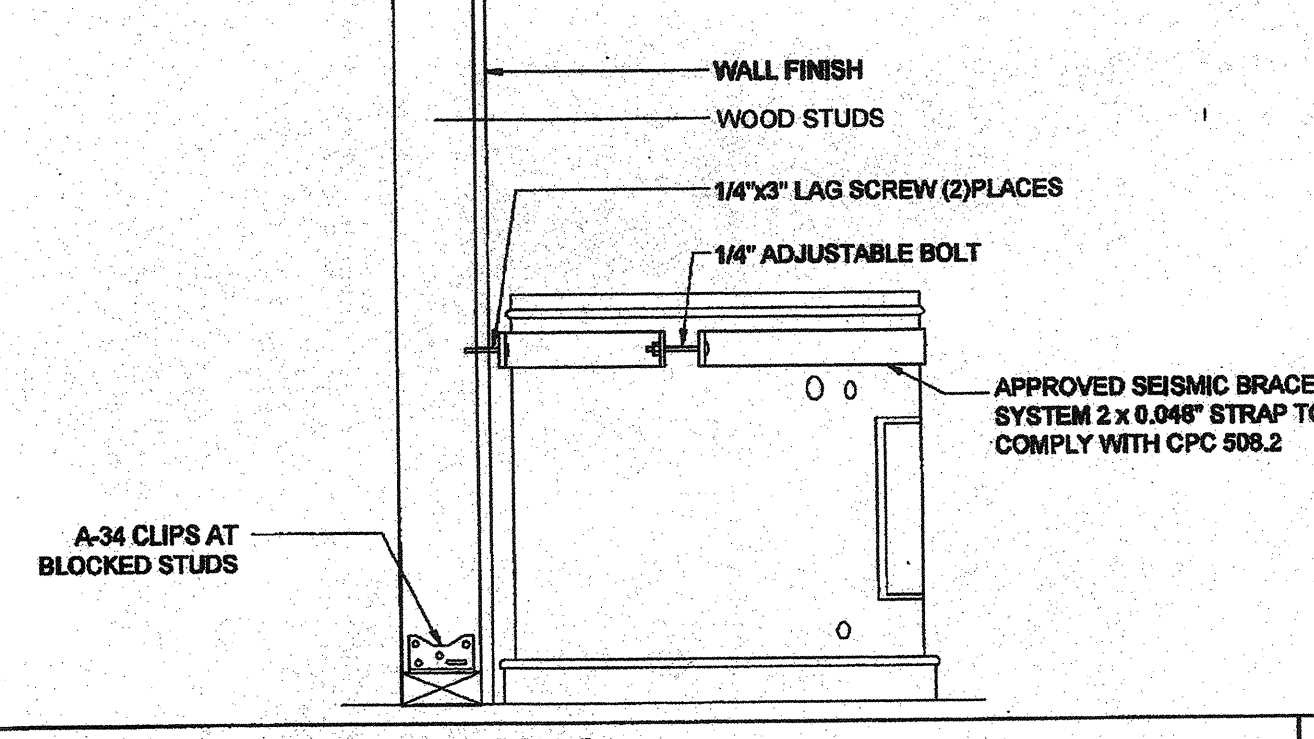
WATER HEATER SHELF AT WOOD STUD SCALE: 1/2" = 1'-0" 4



WATER HEATER BRACING AT STEEL STUD SCALE: 1 1/2" = 1'-0" 20

NOT USED

NOT USED



WATER HEATER BRACING AT WOOD STUD SCALE: 1 1/2" = 1'-0" 5

THESE DRAWINGS AND ALL MATERIAL CONTAINED HEREIN ARE THE PROPERTY OF SILVERCREEK INDUSTRIES, INC. (SCI Inc) AND SHALL NOT BE REPRODUCED, COPIED OR OTHERWISE DISPOSED OF DIRECTLY OR INDIRECTLY AND SHALL NOT BE USED IN WHOLE OR IN PART TO ASSIST IN THE MAKING OF OR FOR THE PURPOSE OF FURNISHING ANY INFORMATION FOR THE MAKING OF DRAWINGS, PRINTS, APPARATUS OR PARTS THEREOF WITHOUT THE FULL KNOWLEDGE AND WRITTEN CONSENT OF SCI Inc. ALL PATENTABLE MATERIAL CONTAINED HEREIN AND ORIGINATING WITH SCI Inc SHALL BE THE PROPERTY OF SCI Inc.

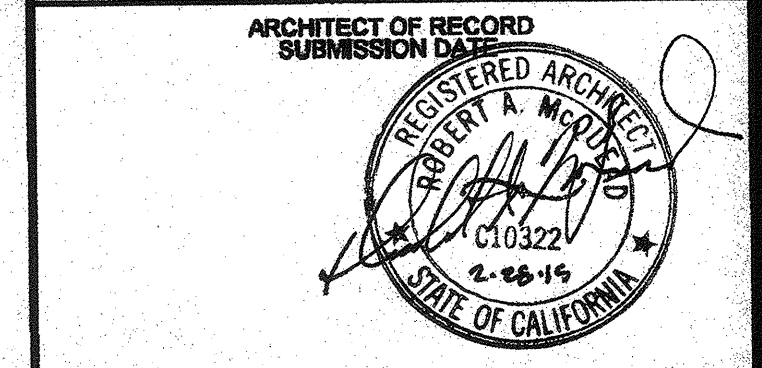
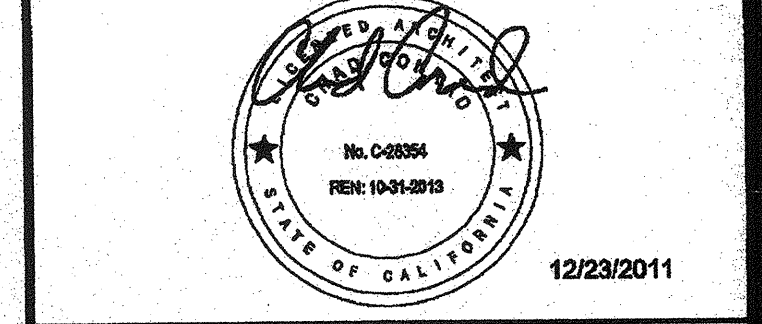
SILVER CREEK INDUSTRIES, INC.



195 EAST MORGAN FERRIS, CALIFORNIA 92571
PHONE: 951-943-5393 FAX: 951-943-2211

PROJECT NAME:
CLASS LEASING CLASSROOMS BLDG'S

SHEET TITLE:
ARCHITECTURAL DETAILS MISCELLANEOUS/OPTIONS



PROJECT SPECIFIC STATE AGENCY APPROVAL
IDENTIFICATION STAMP
DIV. OF THE STATE ARCHITECT
OFFICE OF REGULATION SERVICES
04 113850
AC 2-28-15 SS 701
DATE 08/27/2012

ORIGINAL PC STATE AGENCY APPROVAL
IDENTIFICATION STAMP
DIV. OF THE STATE ARCHITECT
OFFICE OF REGULATION SERVICES
PC 04112070
AC 2-28-15 SS 701
DATE 08/27/2012

REVISIONS

SILVER CREEK INDUSTRIES
90' x 32' PC
PROJECT NO:
DRAWN BY:
SCALE: AS NOTED
DATE: 8-17-11
P.C. SHEET NUMBER
A-5.81

IDENTIFICATION STAMP
DIV. OF THE STATE ARCHITECT
APP03 117549
AC 11-15-16 SS 701
DATE OCT 11 2016

IDENTIFICATION STAMP
DIV. OF THE STATE ARCHITECT
APP03 116979
AC 11-15-16 SS 701
DATE 11-15-16