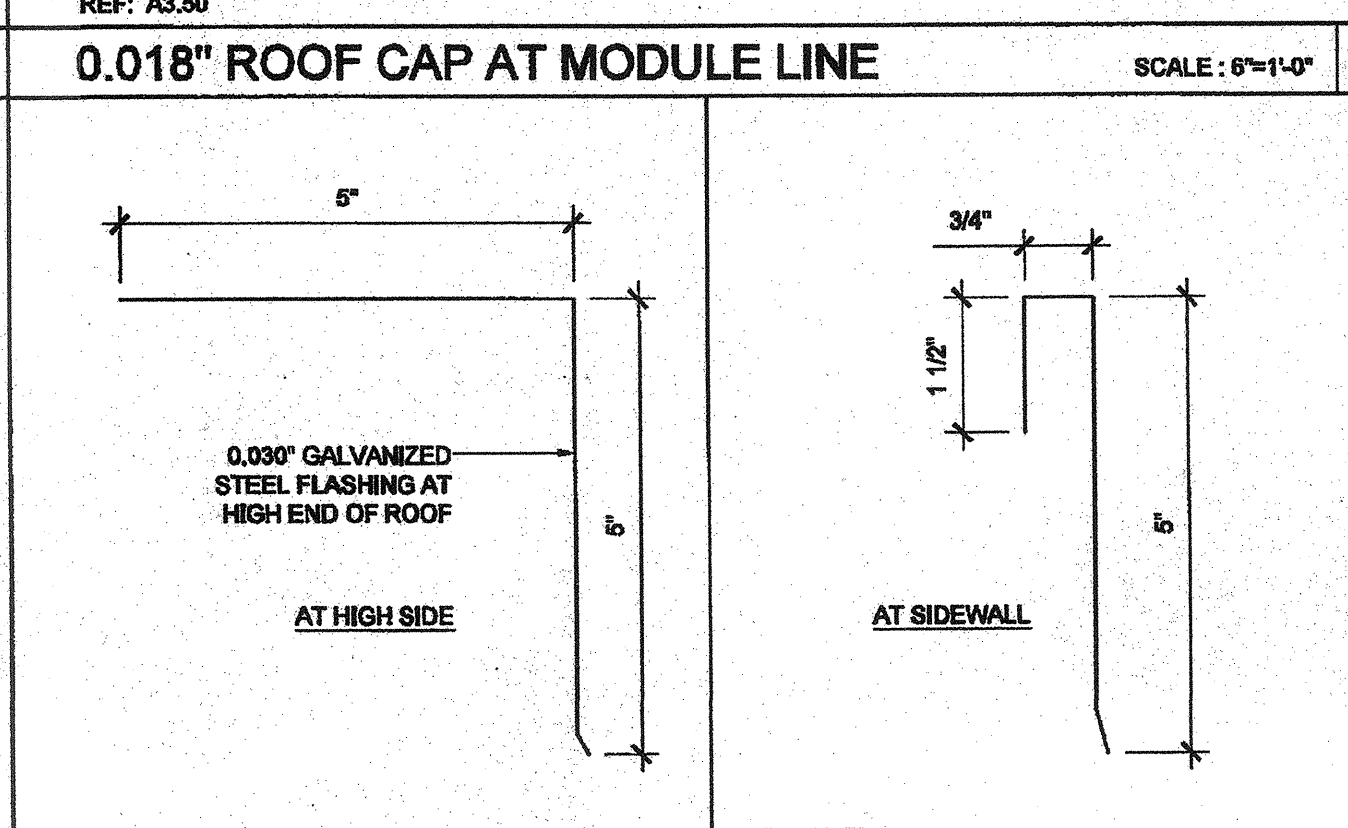
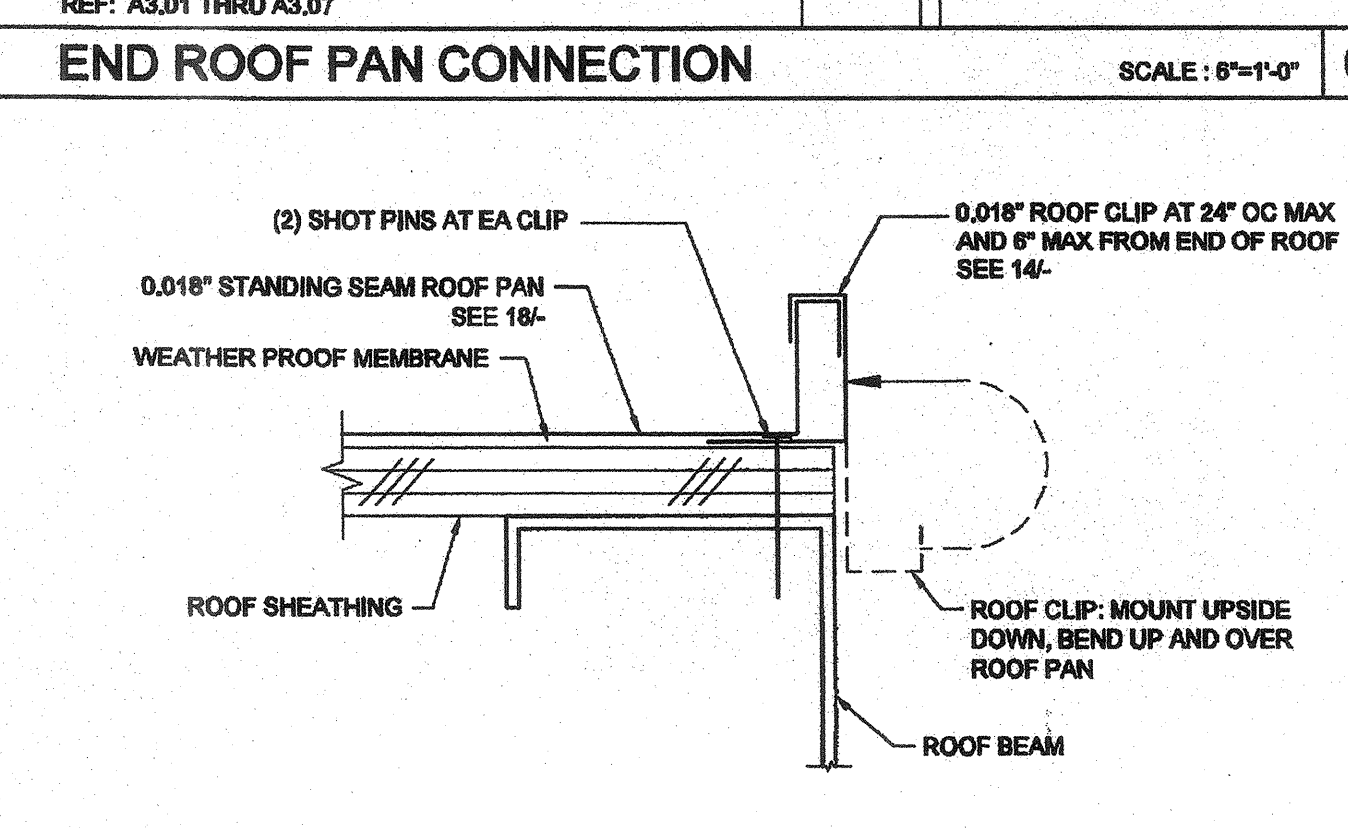
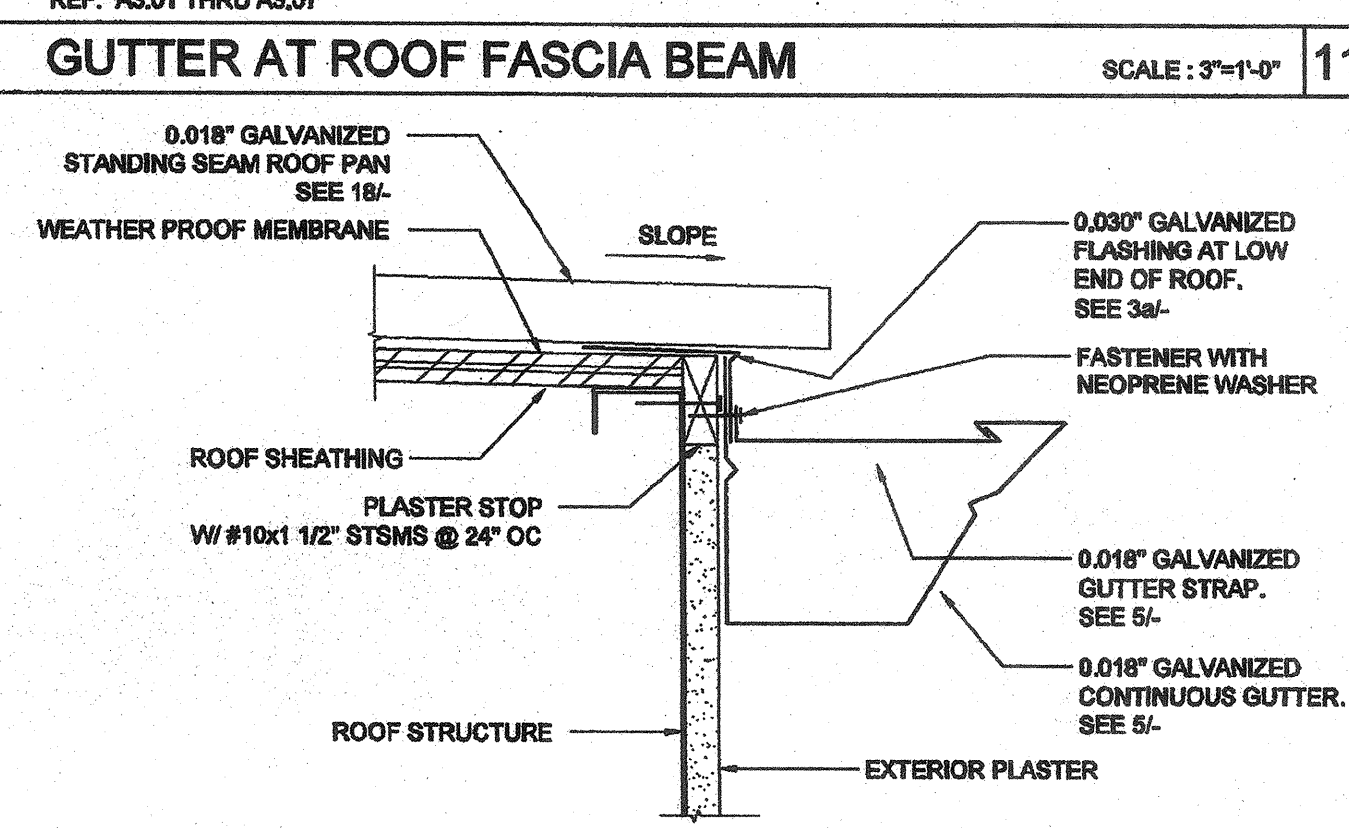
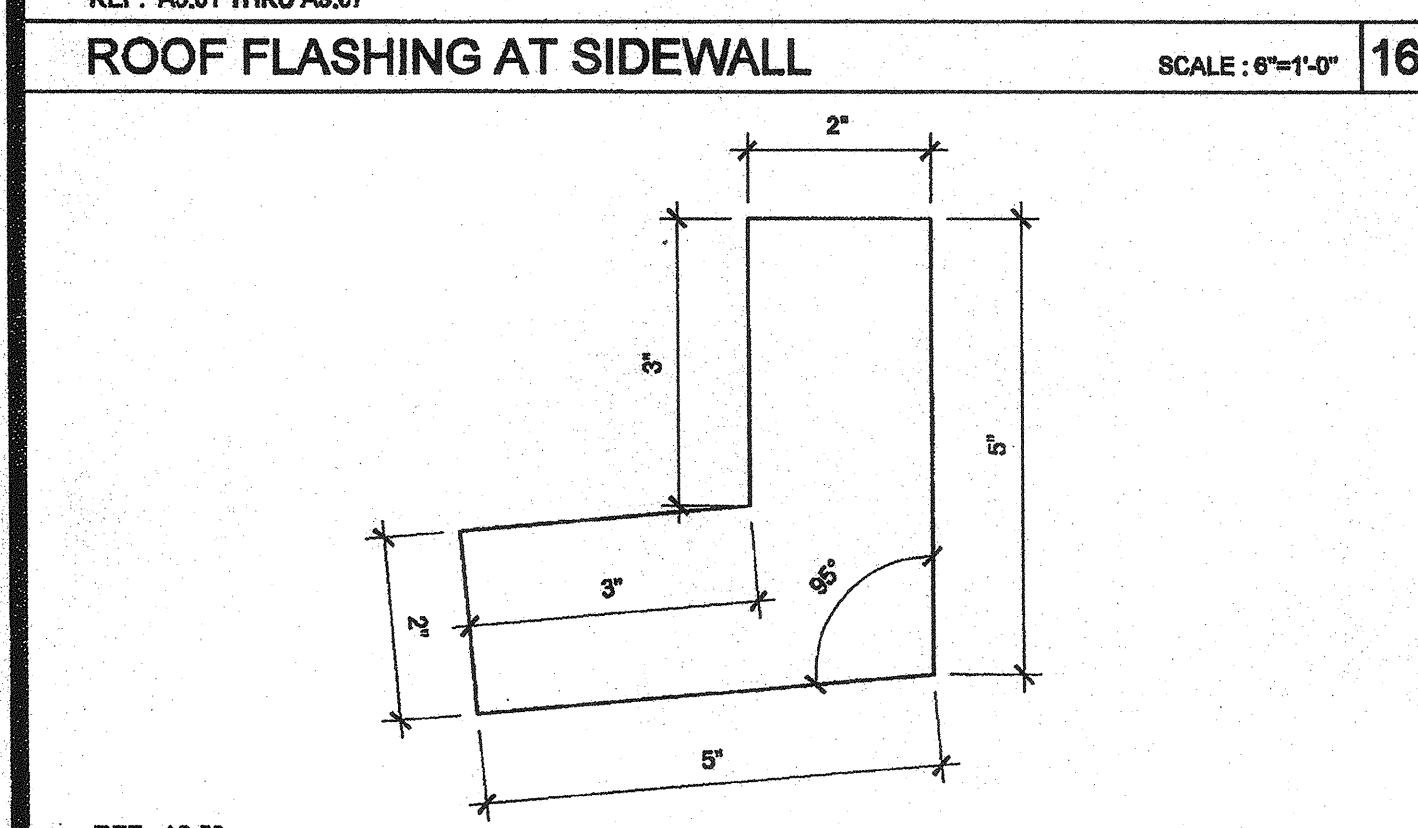


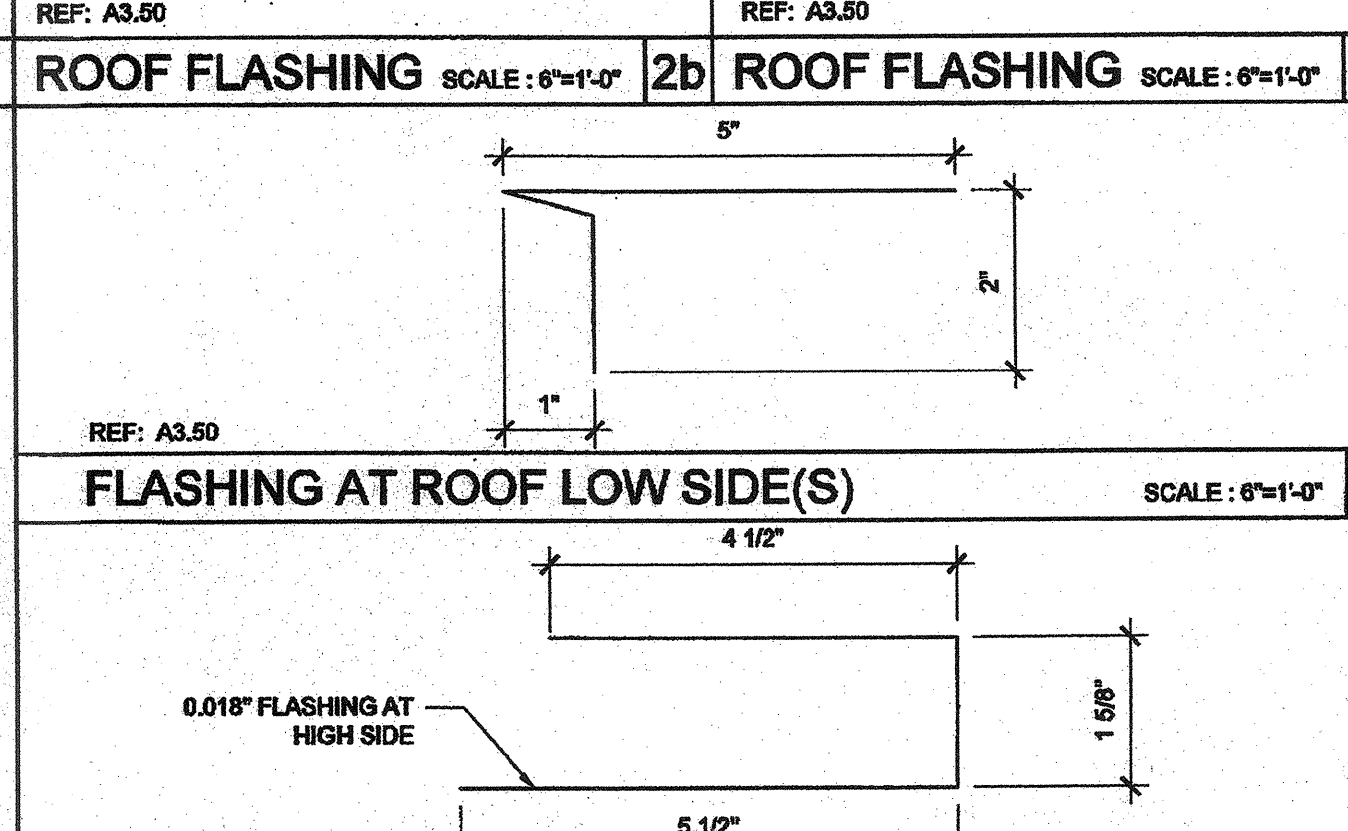
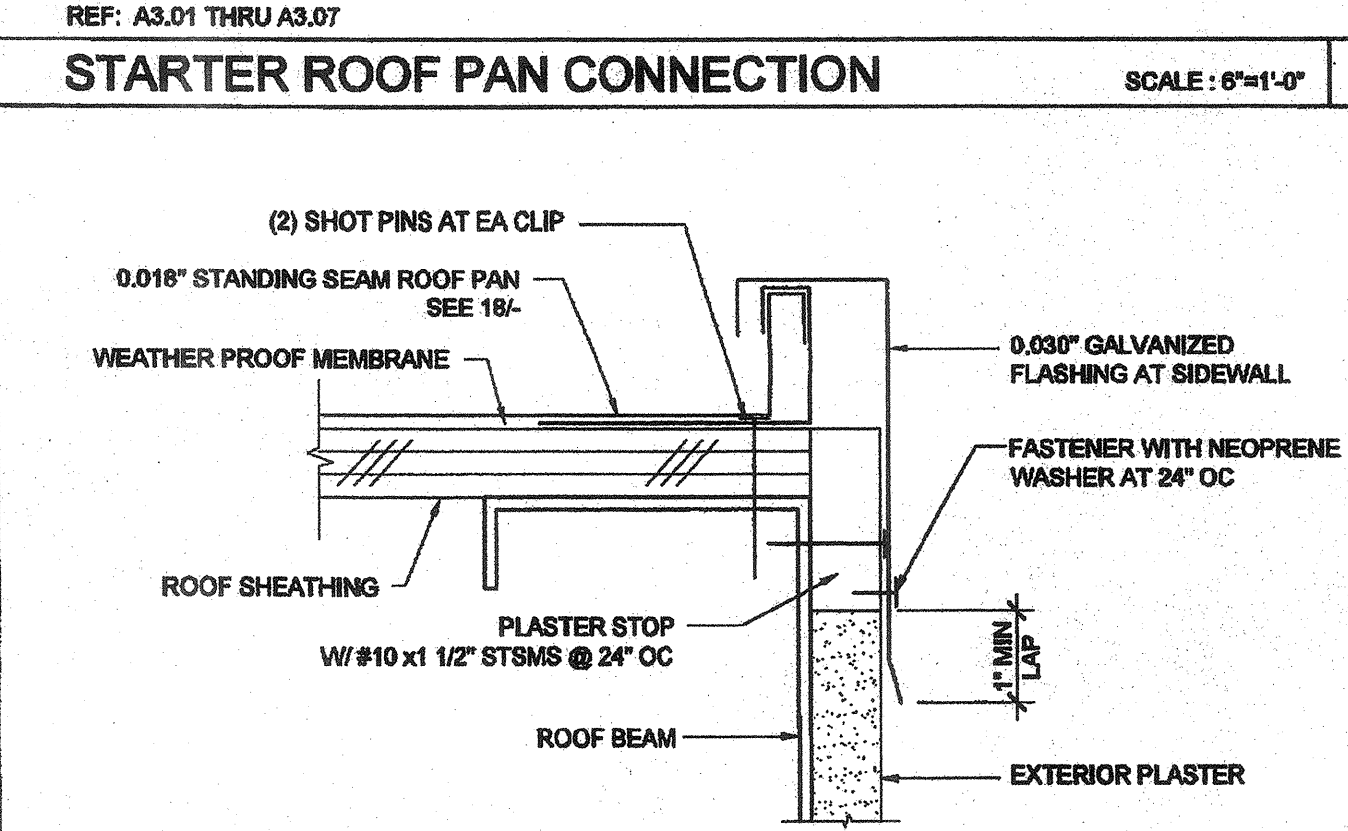
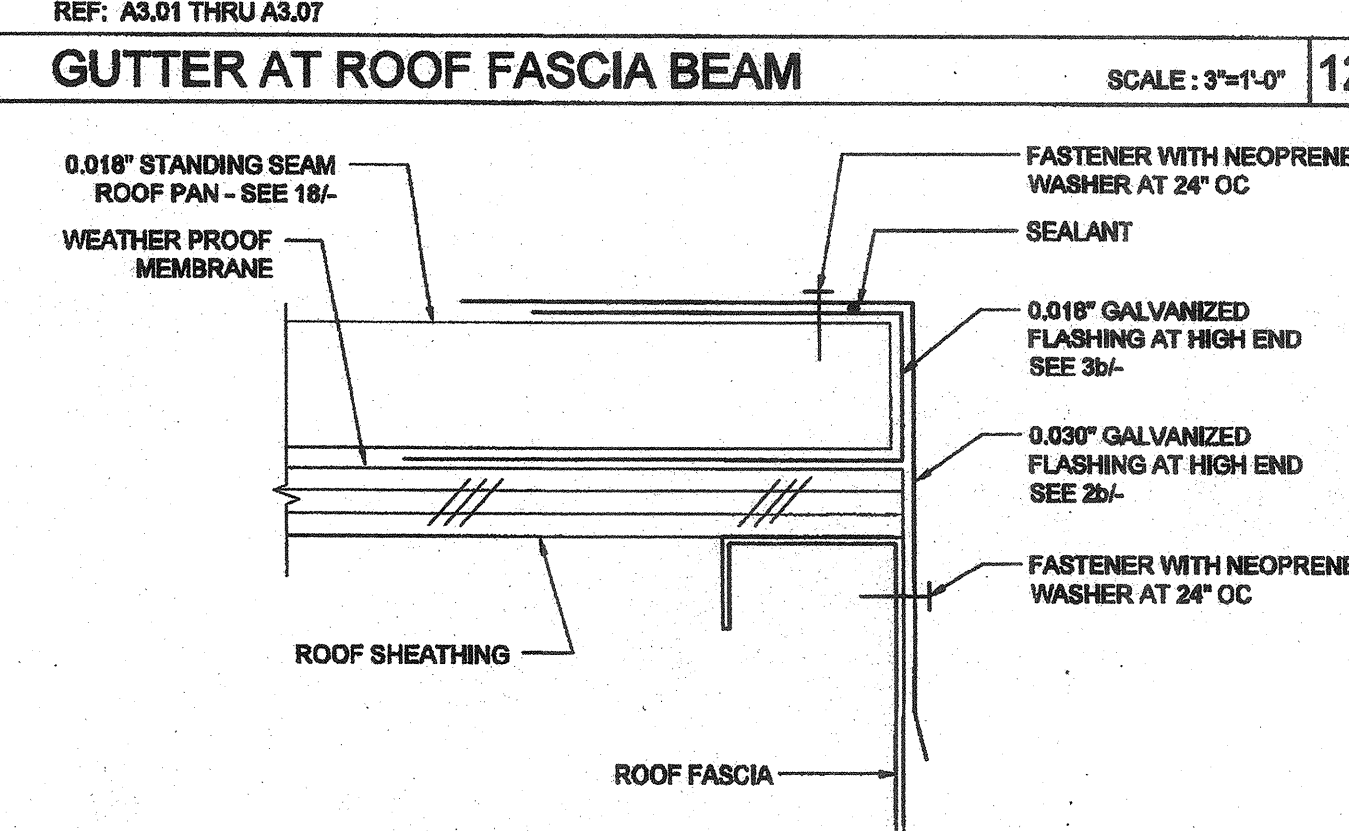
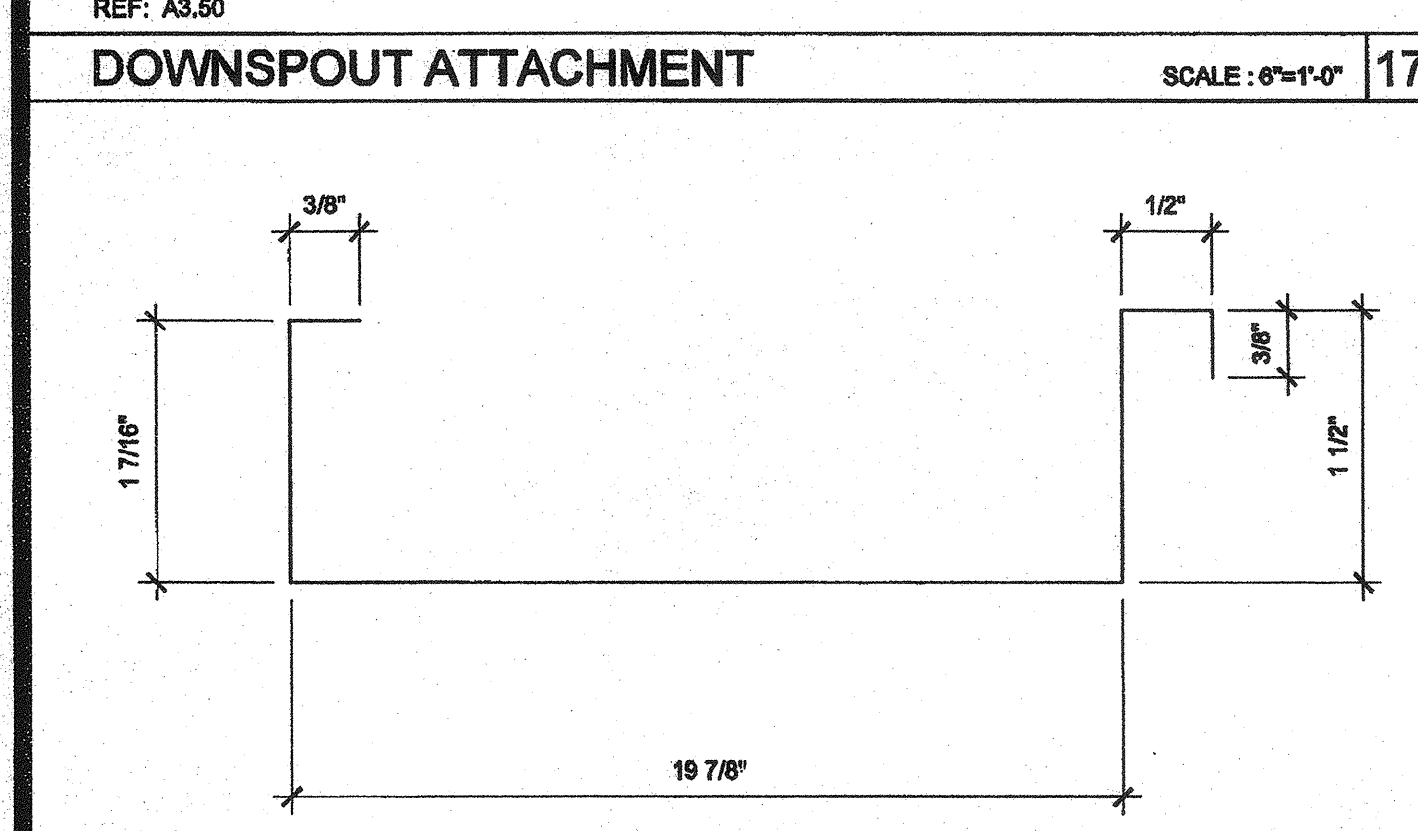
THESE DRAWINGS AND ALL MATERIAL CONTAINED HEREIN ARE THE PROPERTY OF SILVERCREEK INDUSTRIES, INC (SCI Inc) AND SHALL NOT BE REPRODUCED, COPIED OR OTHERWISE DISPOSED OF DIRECTLY OR INDIRECTLY AND SHALL NOT BE USED IN WHOLE OR IN PART TO ASSIST IN THE MAKING OF OR FOR THE PURPOSE OF FURNISHING ANY INFORMATION FOR THE MAKING OF DRAWINGS, PRINTS, APPARATUS OR PARTS THEREOF WITHOUT THE FULL KNOWLEDGE AND WRITTEN CONSENT OF SCI Inc. ALL PATENTABLE MATERIAL CONTAINED HEREIN AND ORIGINATING WITH SCI Inc SHALL BE THE PROPERTY OF SCI Inc

SILVER CREEK INDUSTRIES, INC.
 "BUILDING FOR THE NEXT GENERATION"
SILVER CREEK
 195 EAST MORGAN PERRIS, CALIFORNIA 92571
 PHONE: 951-943-5393 FAX: 951-943-2211

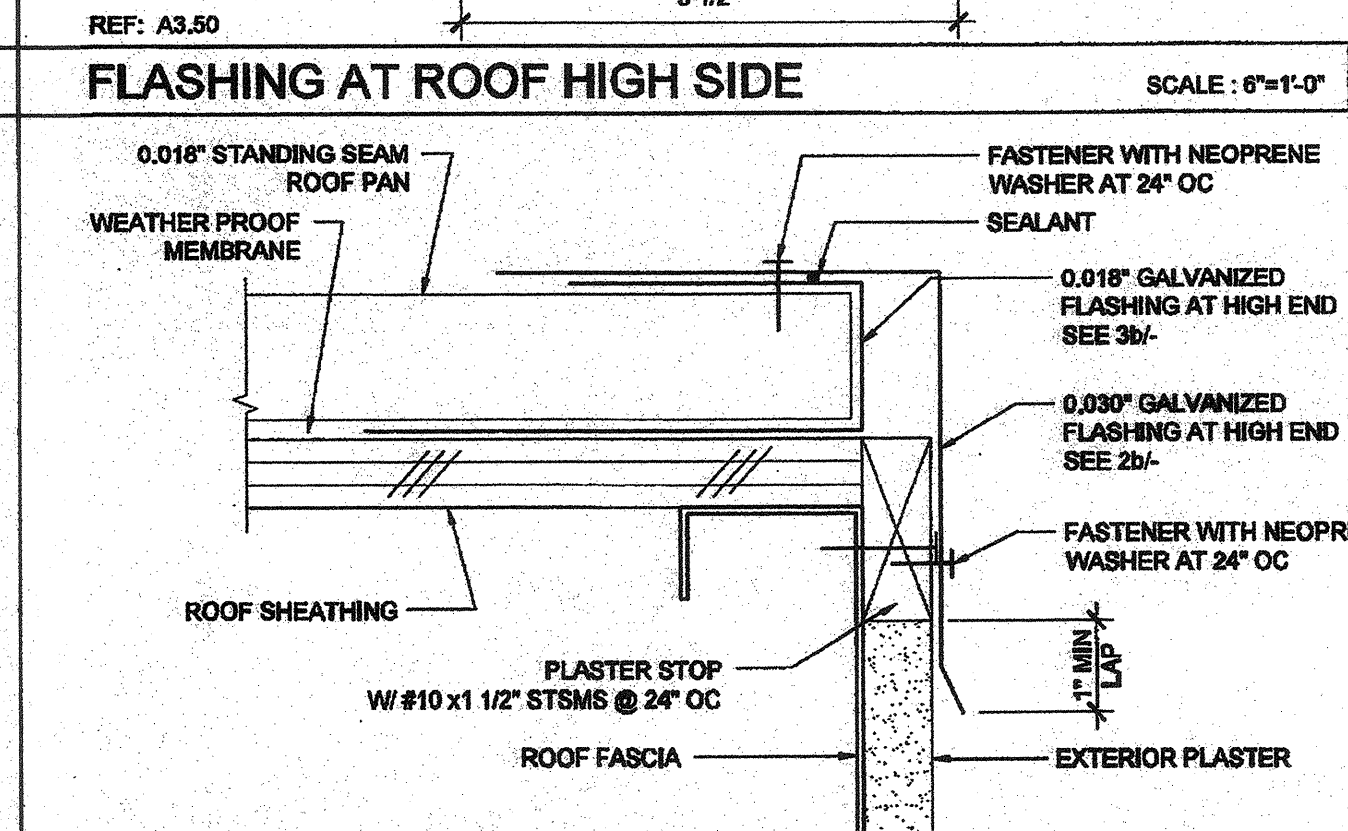
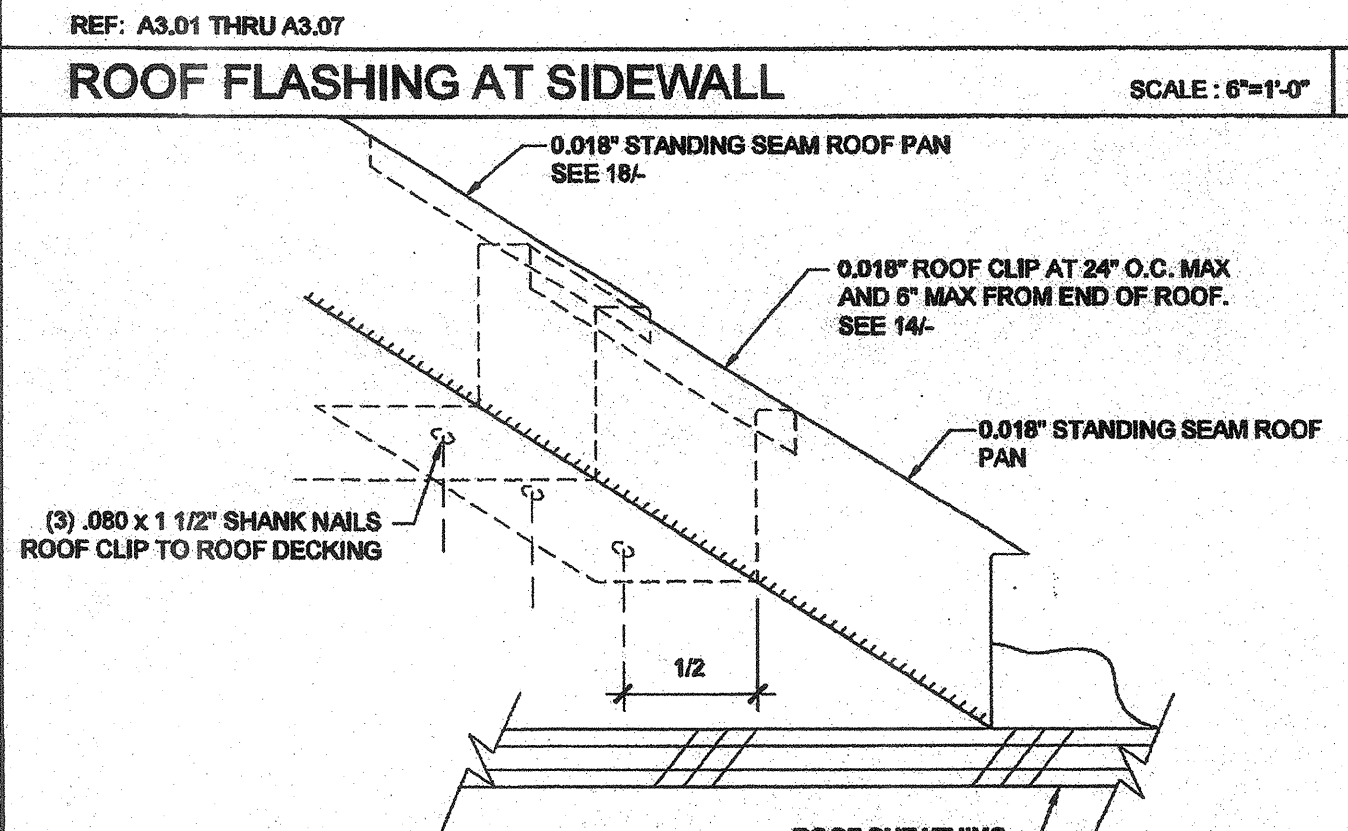
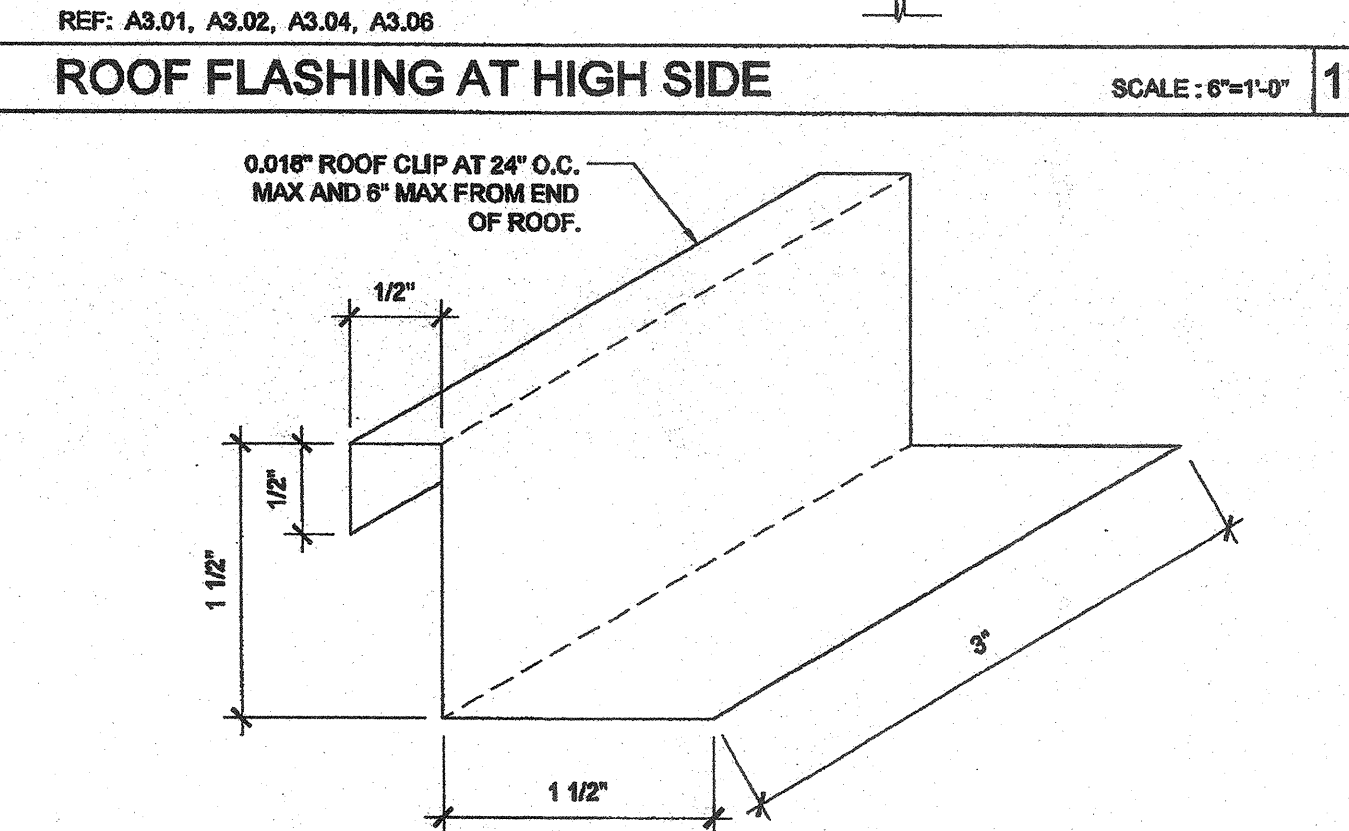
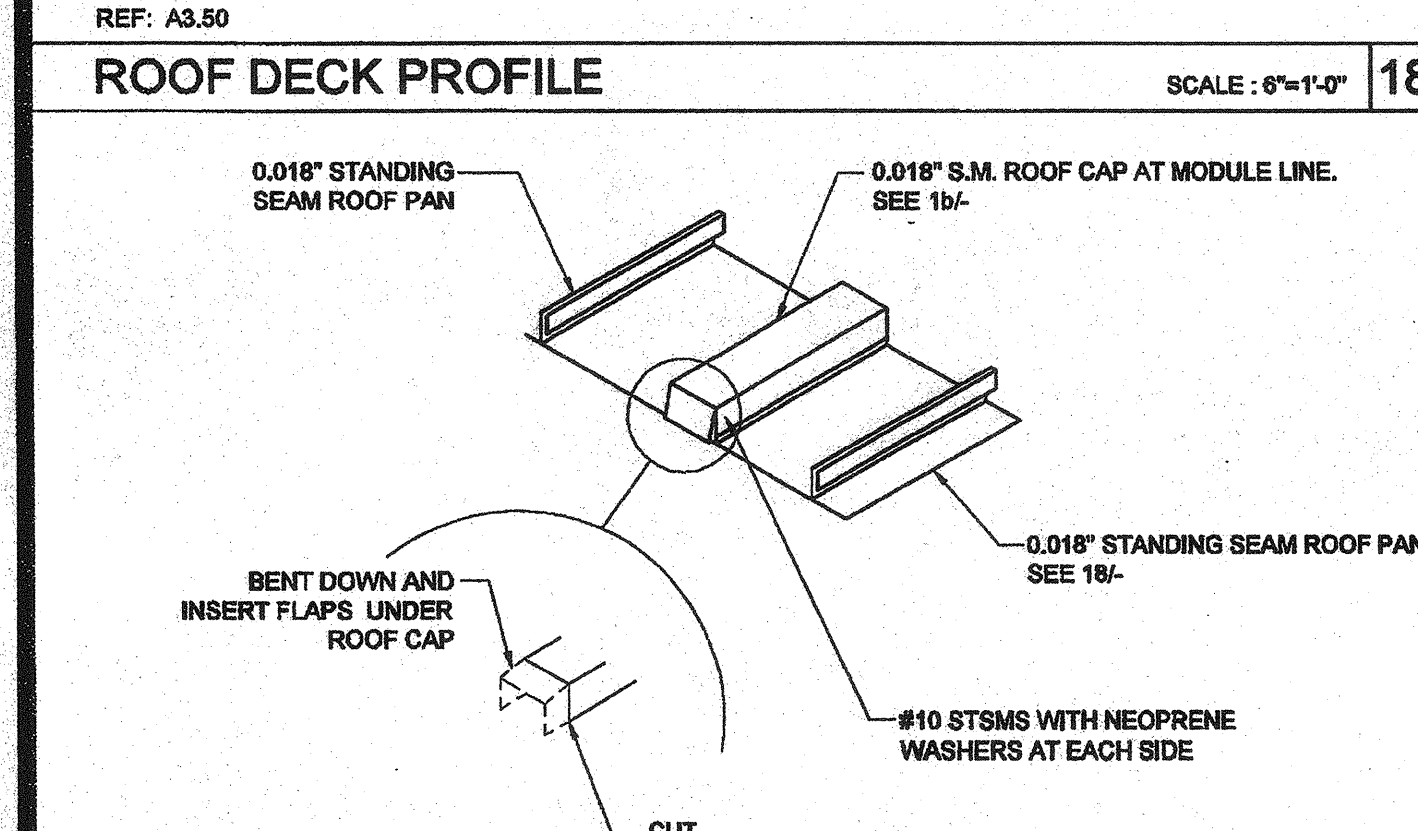


PROJECT NAME:
CLASS LEASING CLASSROOMS BLDG'S
 SHEET TITLE:
ROOF DETAILS 0.018" STANDING SEAM ROOF DECK

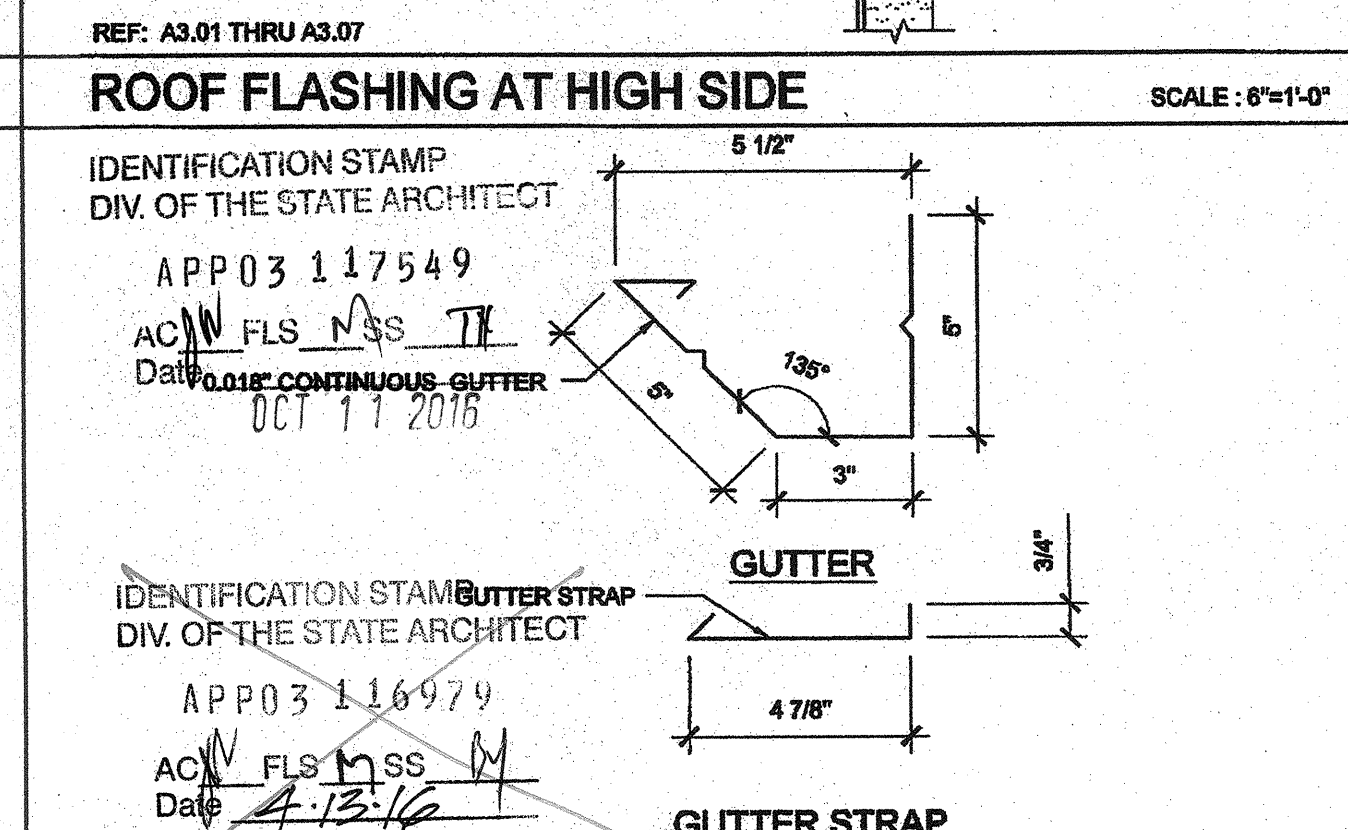
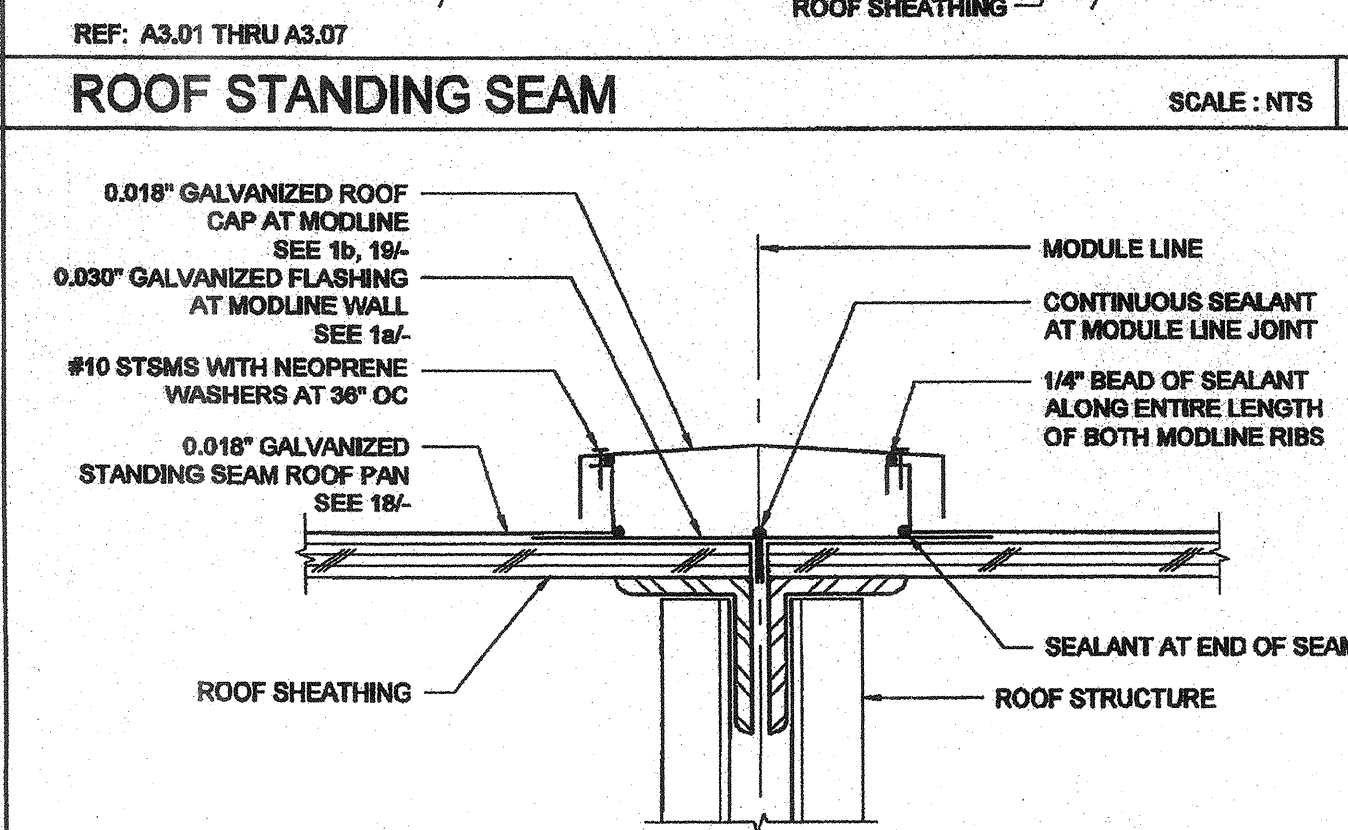
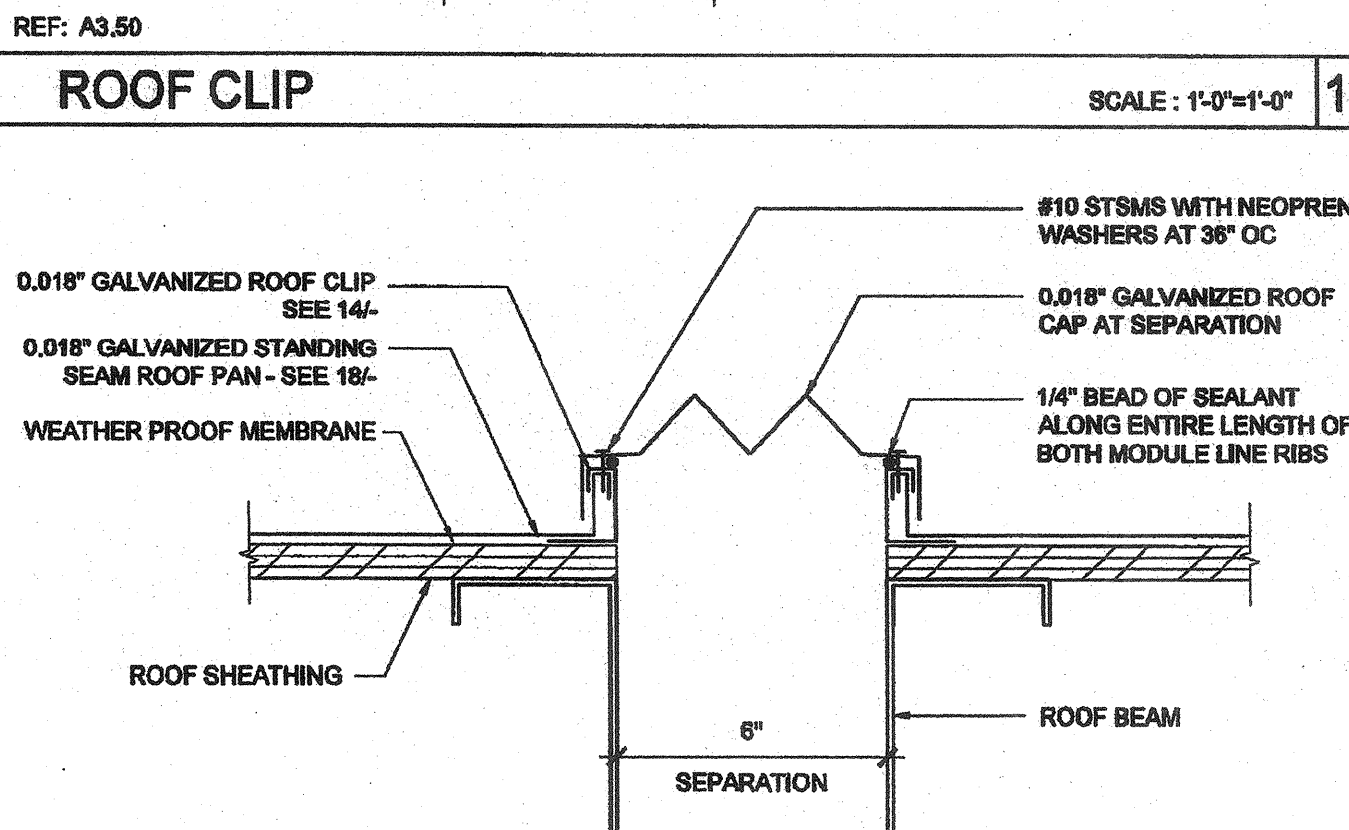
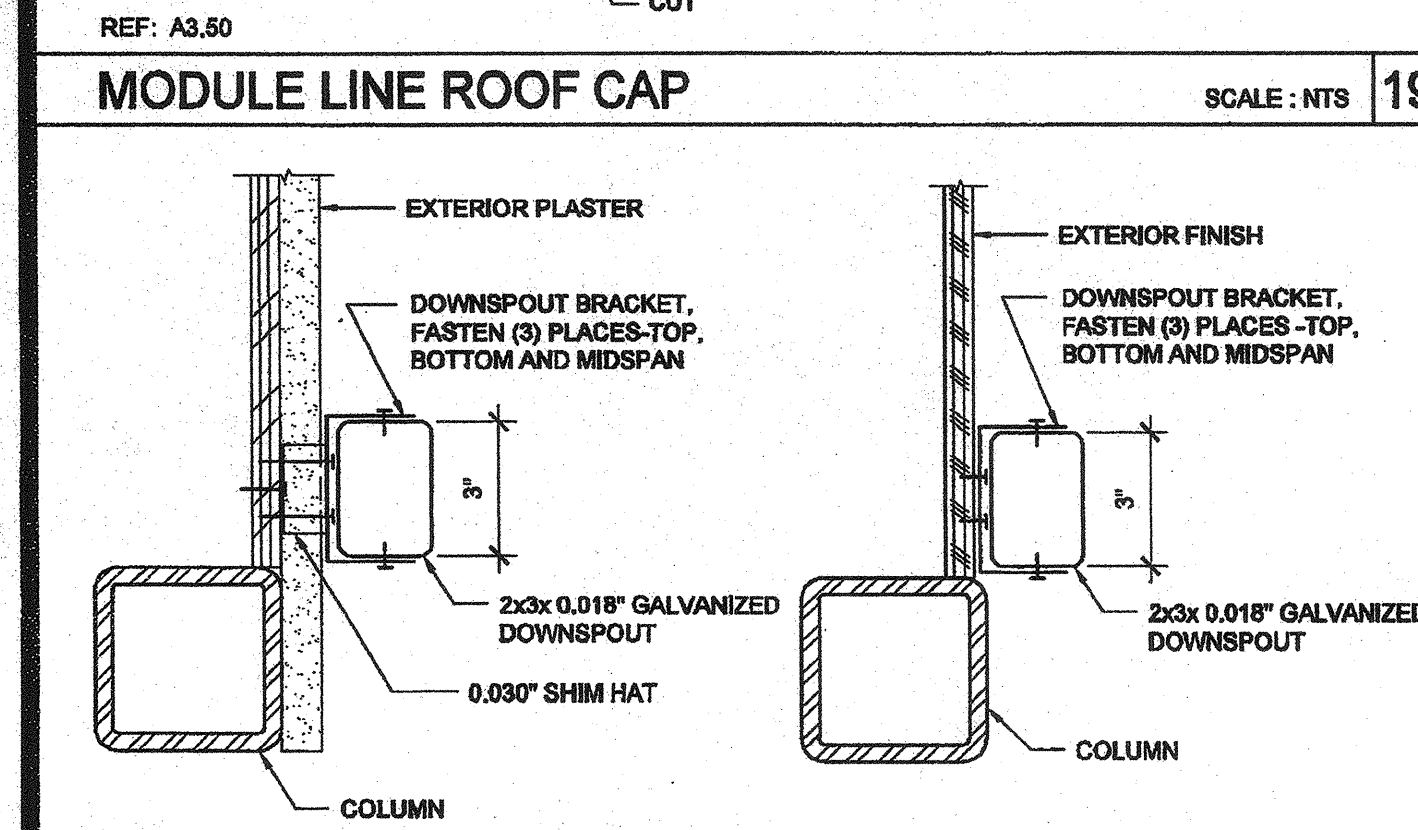
TAVARES ASSOCIATES
 ARCHITECTS
 122/23/2011



ARCHITECT OF RECORD SUBMISSION
 REGISTERED ARCHITECT
 C10329
 2-28-16
 STATE OF CALIFORNIA



PROJECT SPECIFIC STATE AGENCY APPROVAL
 IDENTIFICATION STAMP
 DIV. OF THE STATE ARCHITECT
 OFFICE OF REGULATION SERVICES
 04 113850
 AC FLS MSS TH
 DATE AUG 7 8 2011



ORIGINAL PC STATE AGENCY APPROVAL
 IDENTIFICATION STAMP
 DIV. OF THE STATE ARCHITECT
 OFFICE OF REGULATION SERVICES
 PC 04 112070
 AC FLS MSS TH
 DATE DEC 2 8 2011

REVISIONS

SILVER CREEK INDUSTRIES
 30' x 32' PC

PROJECT NO:
 DRAWN BY:
 SCALE: AS NOTED
 DATE: 6-17-11
 P.C. SHEET NUMBER
A-3.50

