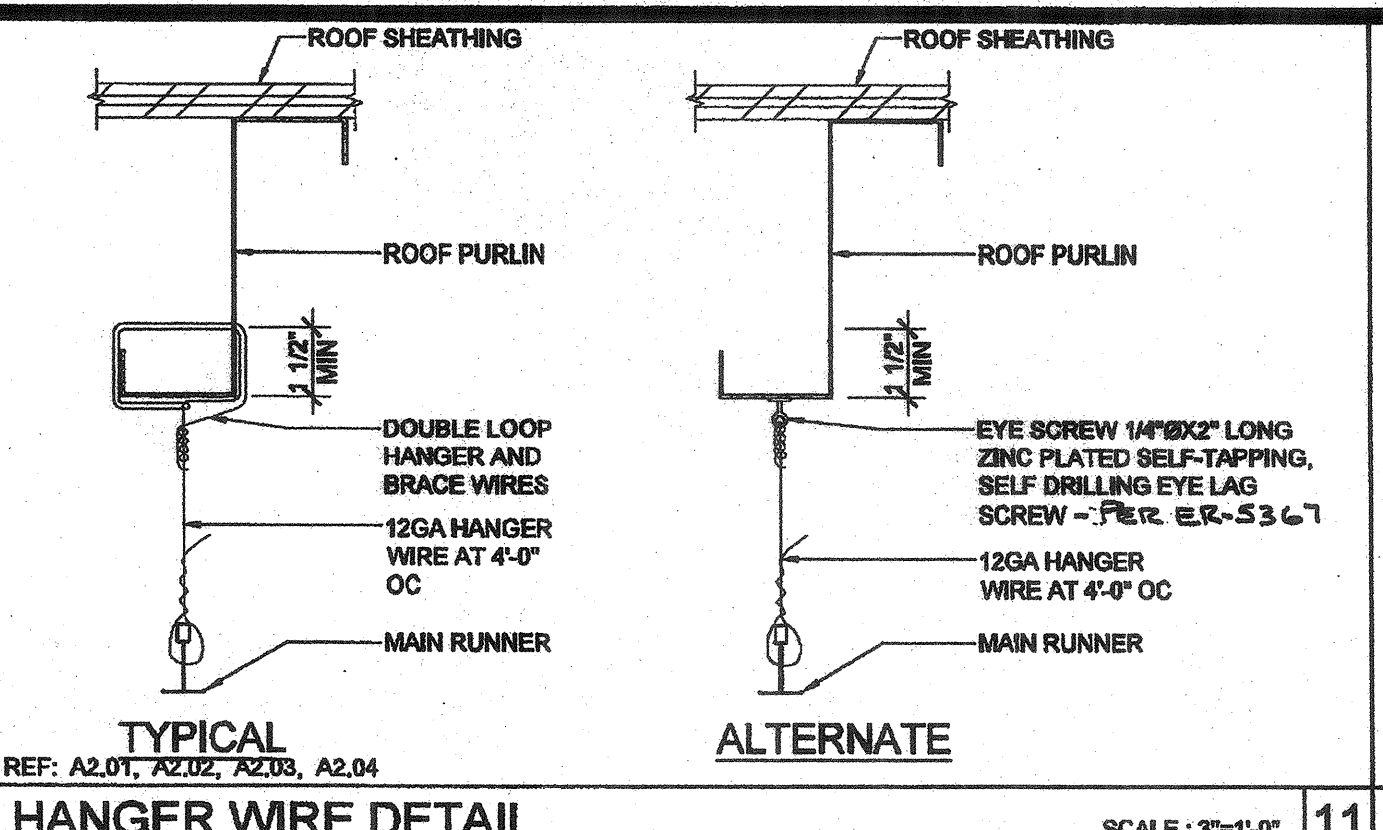
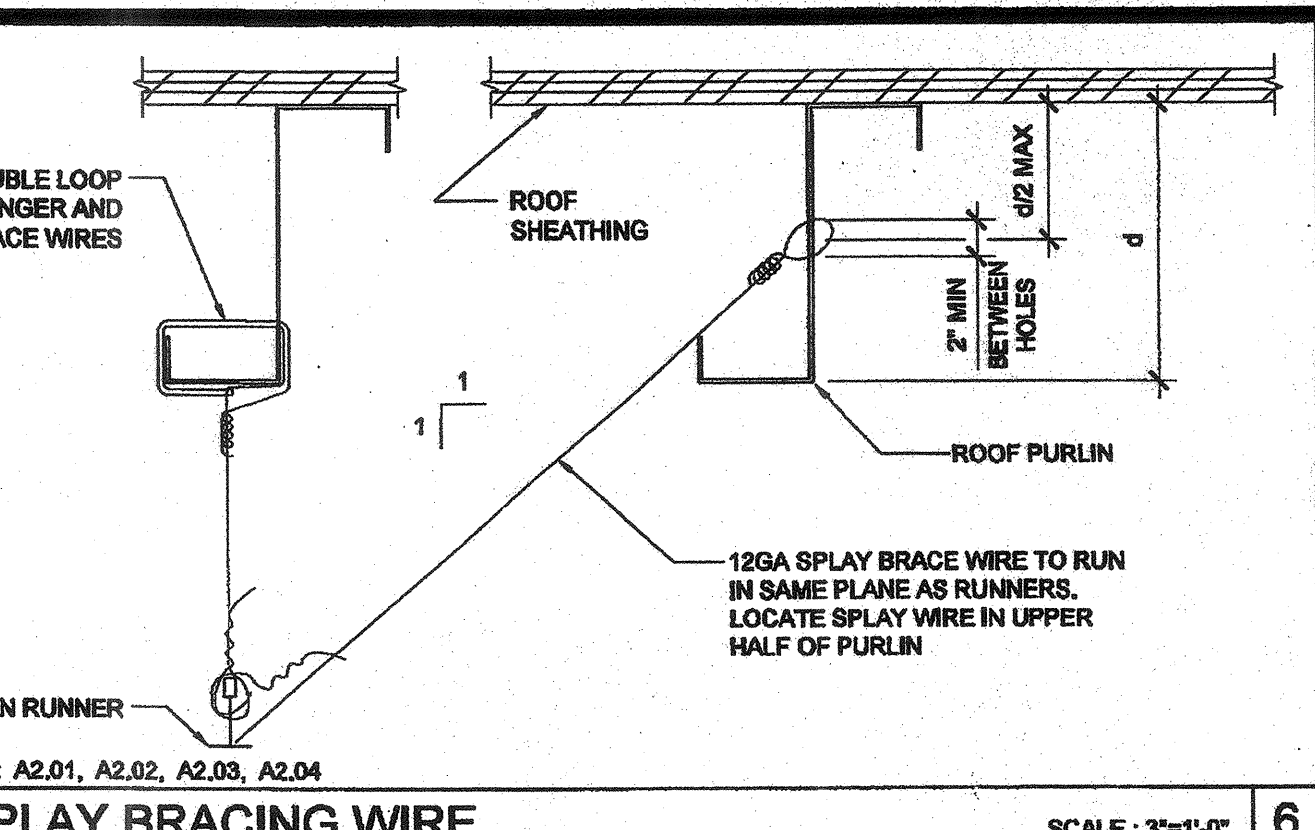


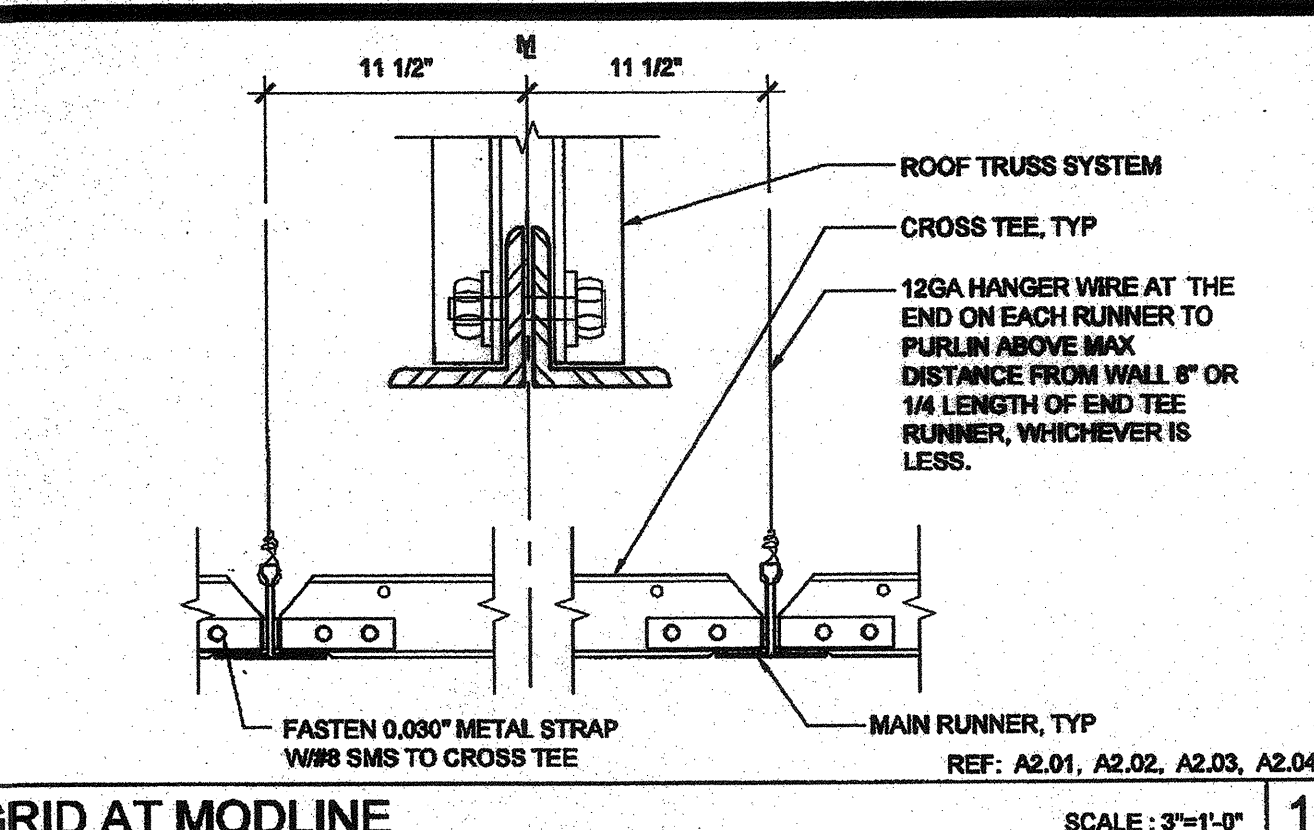
**TRAPEZE DETAIL** 17 REF: A2.01, A2.02, A2.03, A2.04 SCALE: NTS



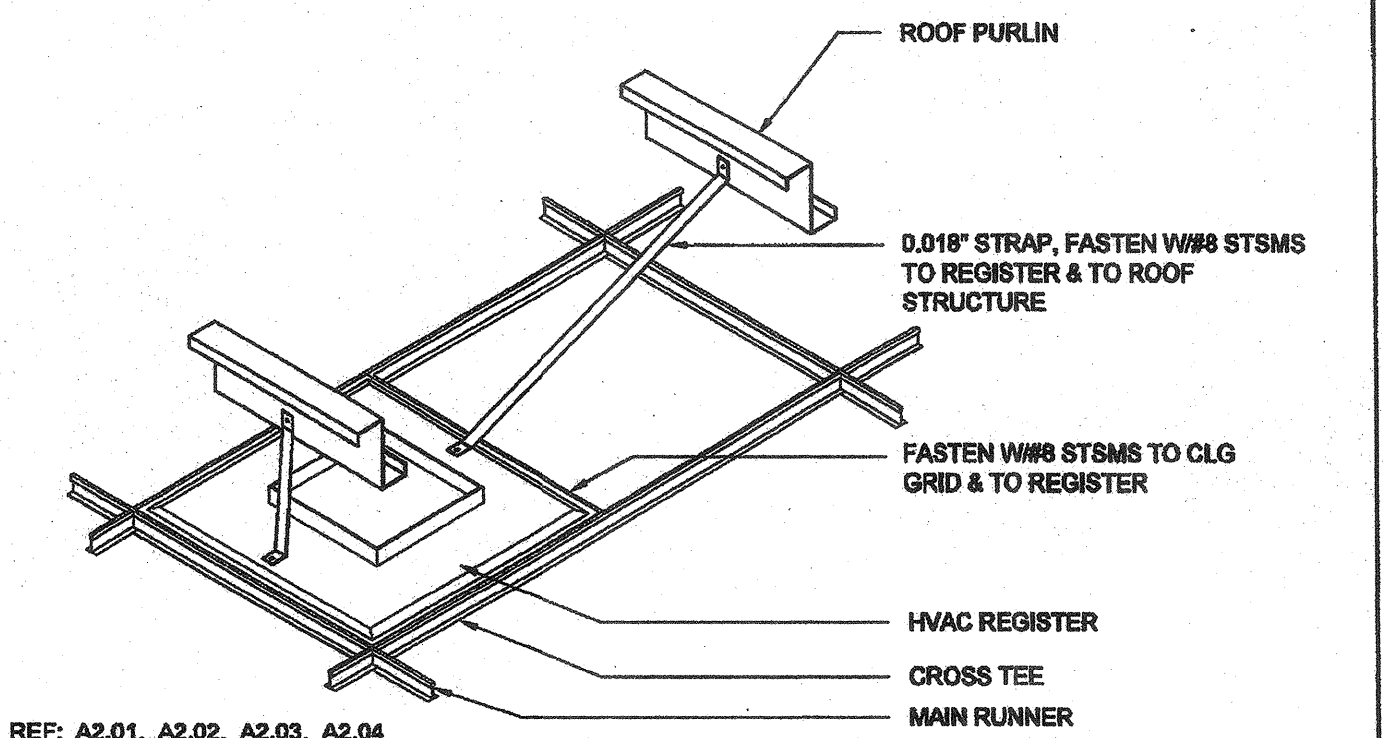
**HANGER WIRE DETAIL** 11 REF: A2.01, A2.02, A2.03, A2.04 SCALE: 3/8"=1'-0"



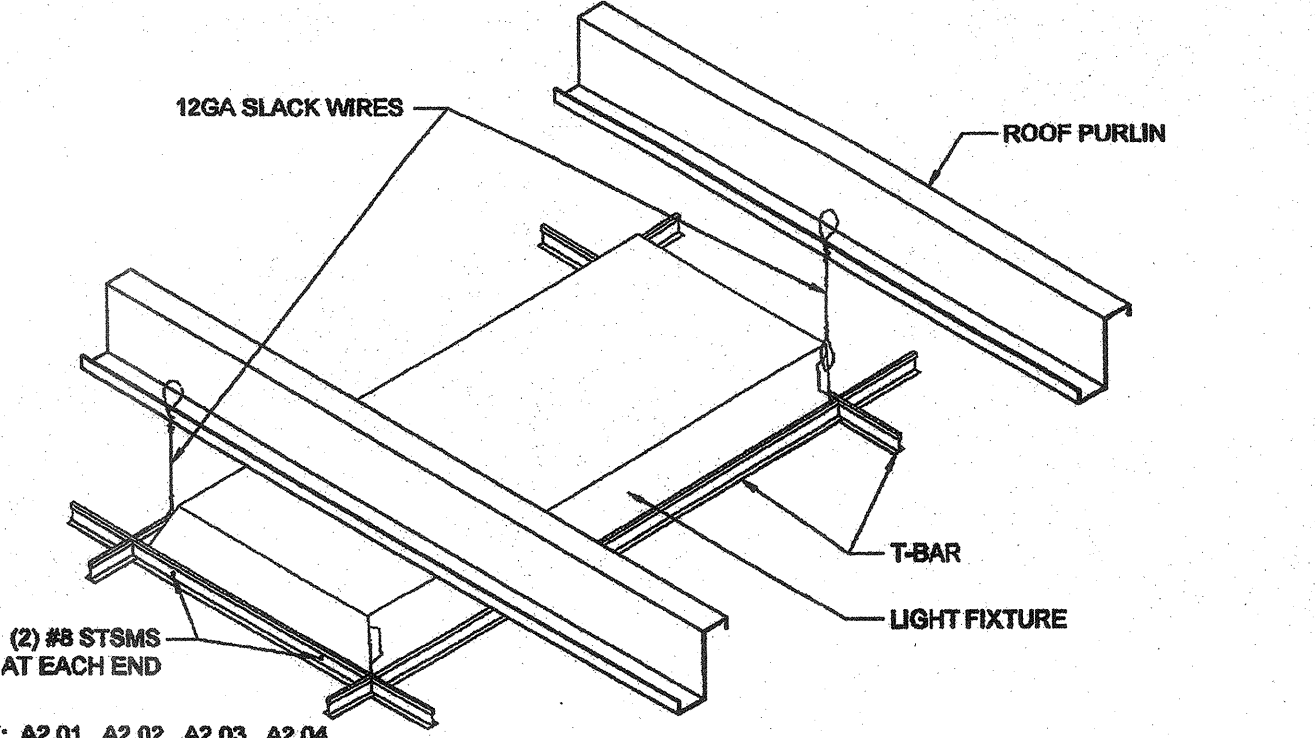
**SPRAY BRACING WIRE** 6 REF: A2.01, A2.02, A2.03, A2.04 SCALE: 3/8"=1'-0"



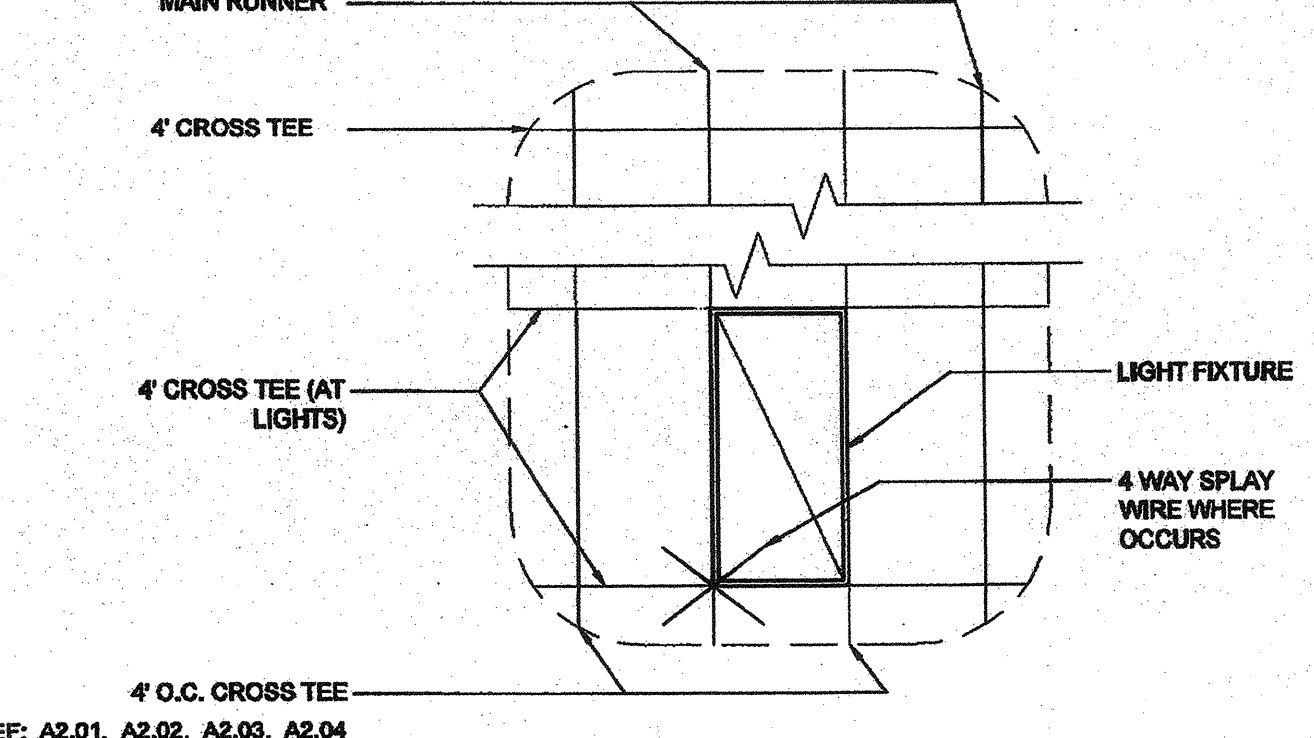
**GRID AT MODLINE** 1 REF: A2.01, A2.02, A2.03, A2.04 SCALE: 3/8"=1'-0"



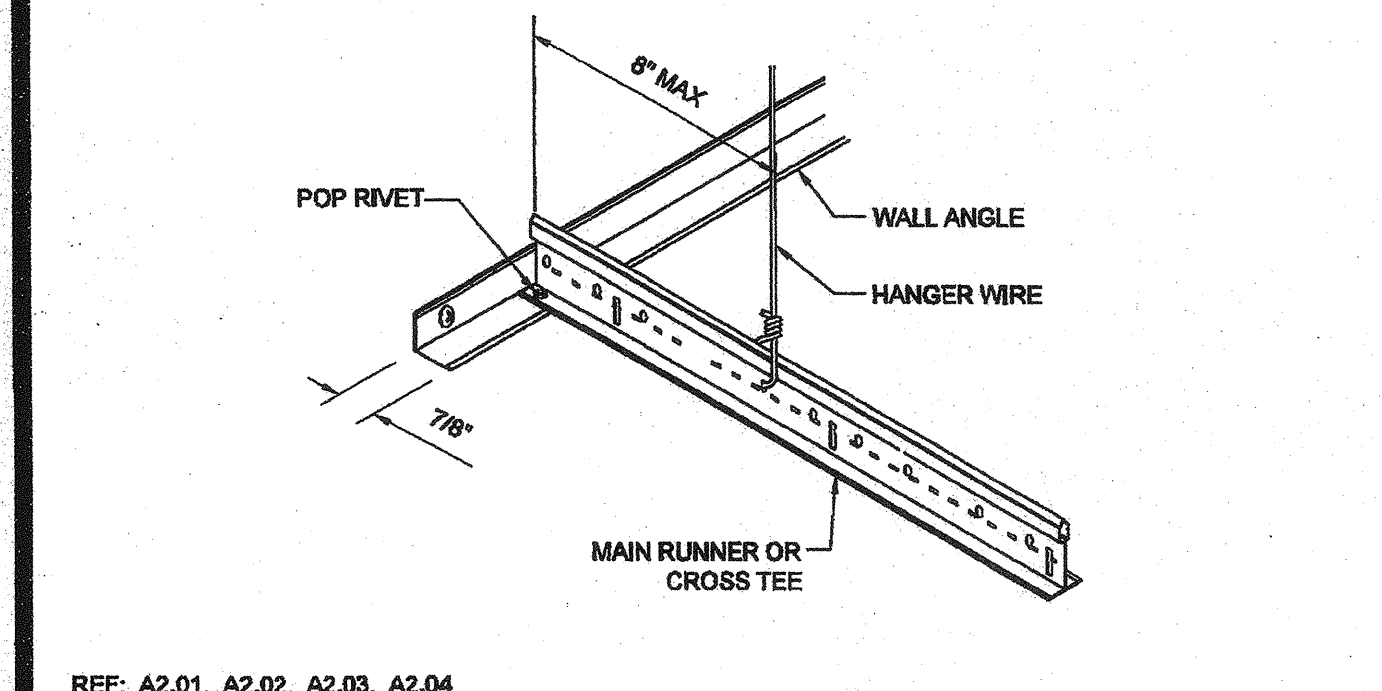
**HVAC REGISTER MOUNTING** 12 REF: A2.01, A2.02, A2.03, A2.04 SCALE: NTS



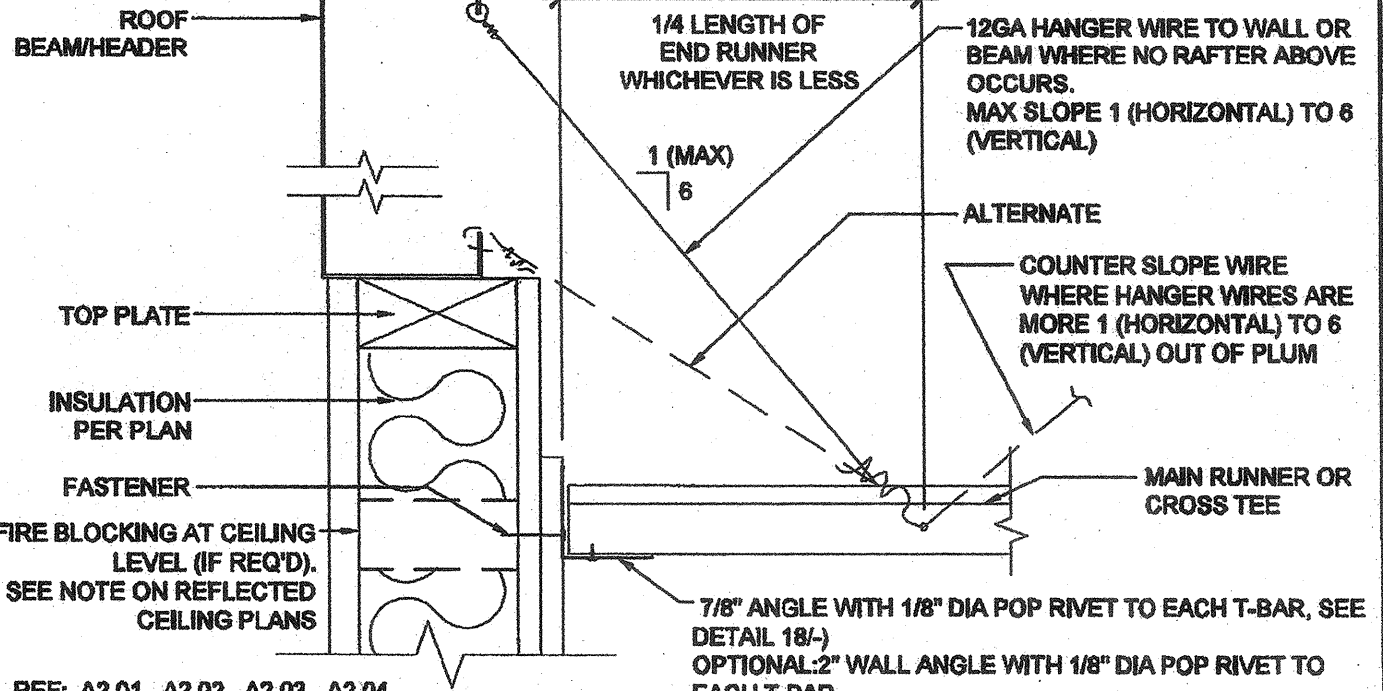
**LIGHT FIXTURE MOUNTING** 7 REF: A2.01, A2.02, A2.03, A2.04 SCALE: NTS



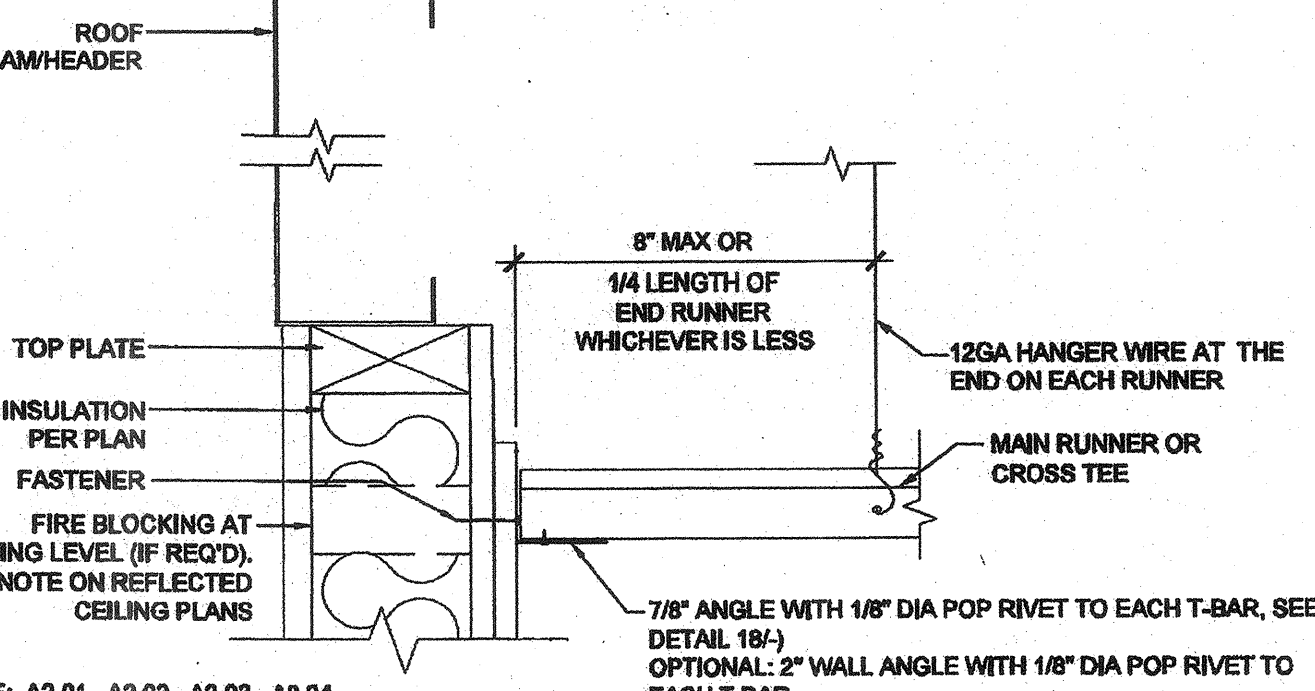
**4' CROSS TEE AT LIGHTS** 2 REF: A2.01, A2.02, A2.03, A2.04 SCALE: 3/8"=1'-0"



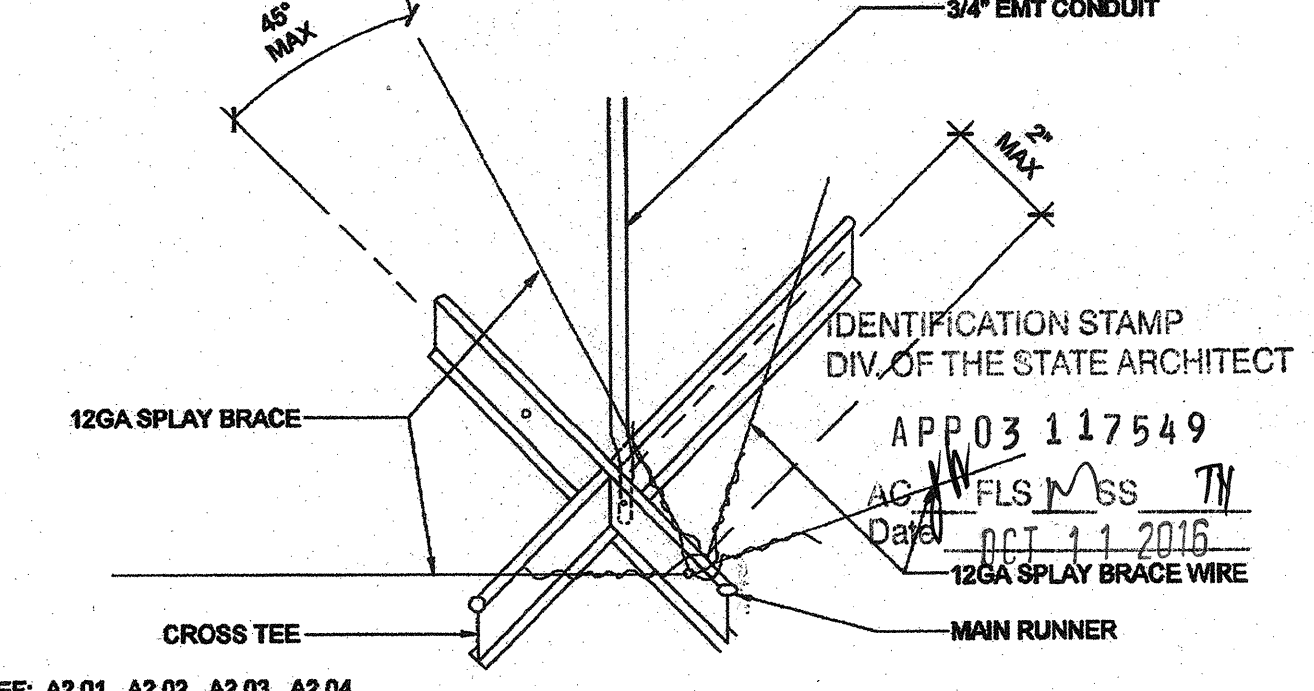
**FIXED SIDE WITH 7/8" ANGLE** 18 REF: A2.01, A2.02, A2.03, A2.04 SCALE: NTS



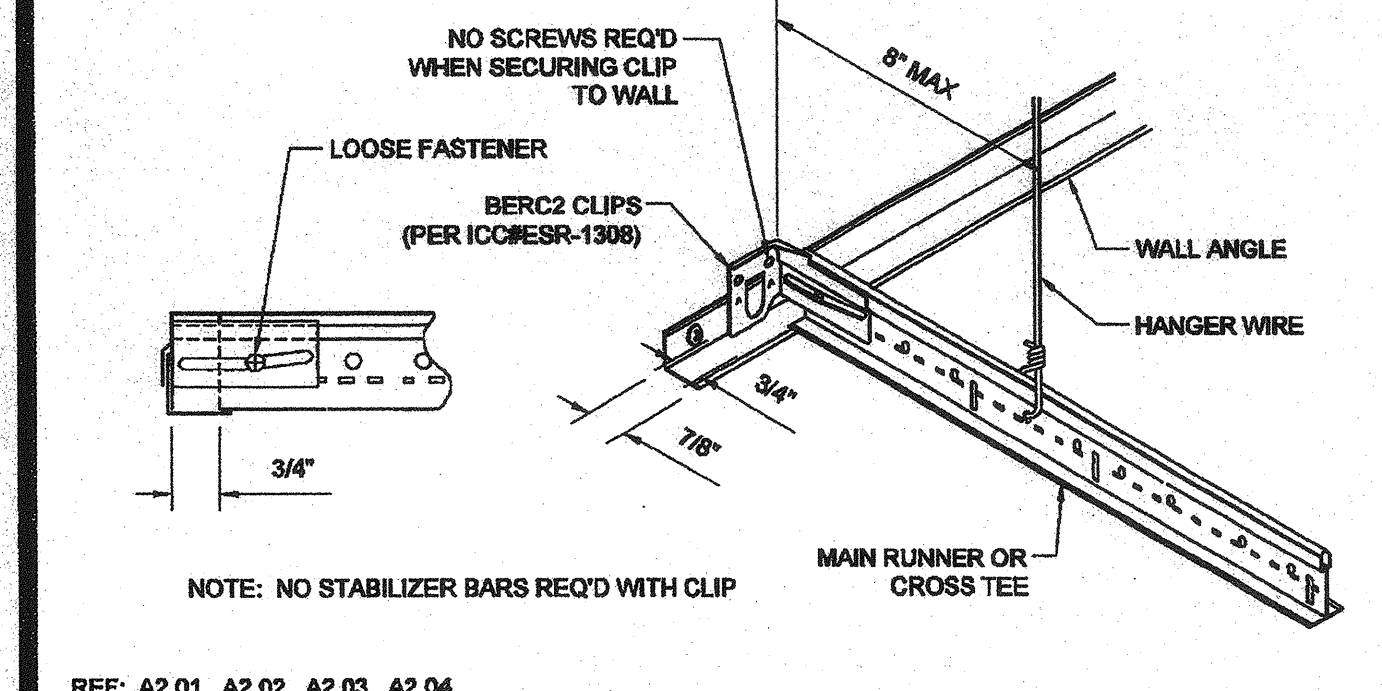
**FIXED SIDE (ENDWALL)** 13 REF: A2.01, A2.02, A2.03, A2.04 SCALE: 3/8"=1'-0"



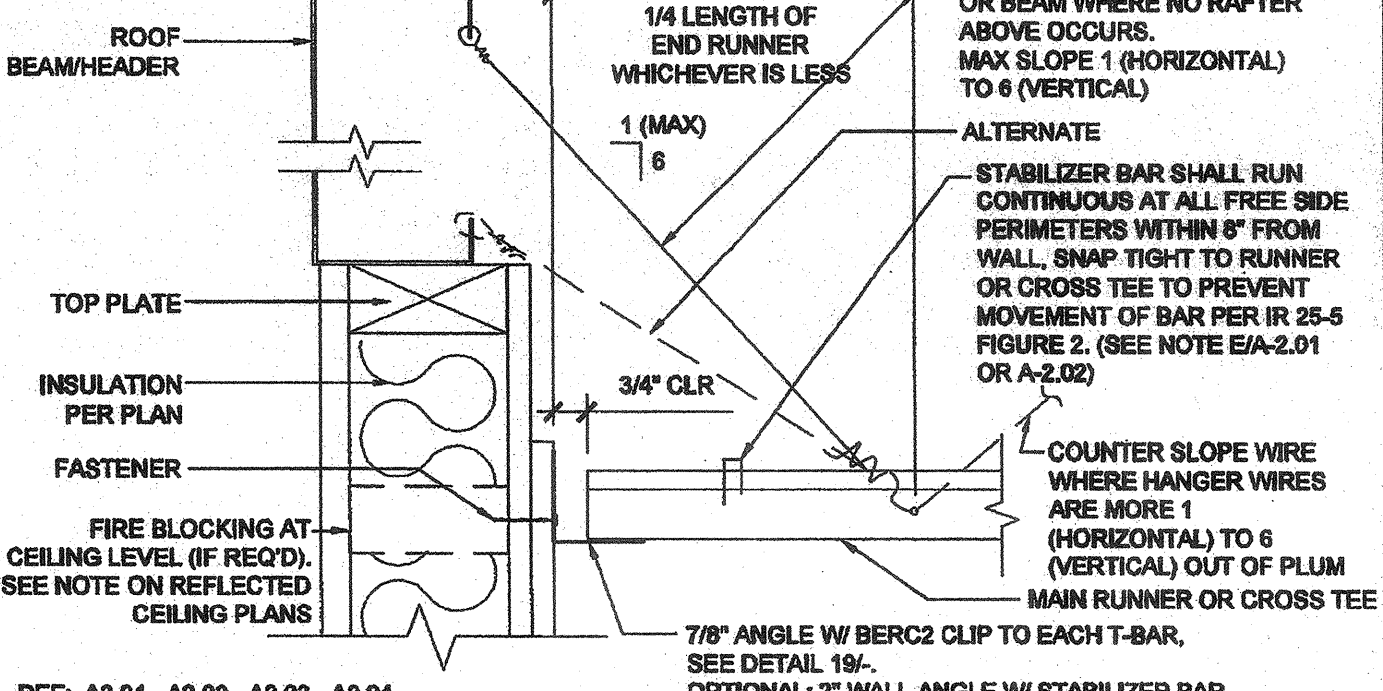
**FIXED SIDE (SIDEWALL)** 8 REF: A2.01, A2.02, A2.03, A2.04 SCALE: 3/8"=1'-0"



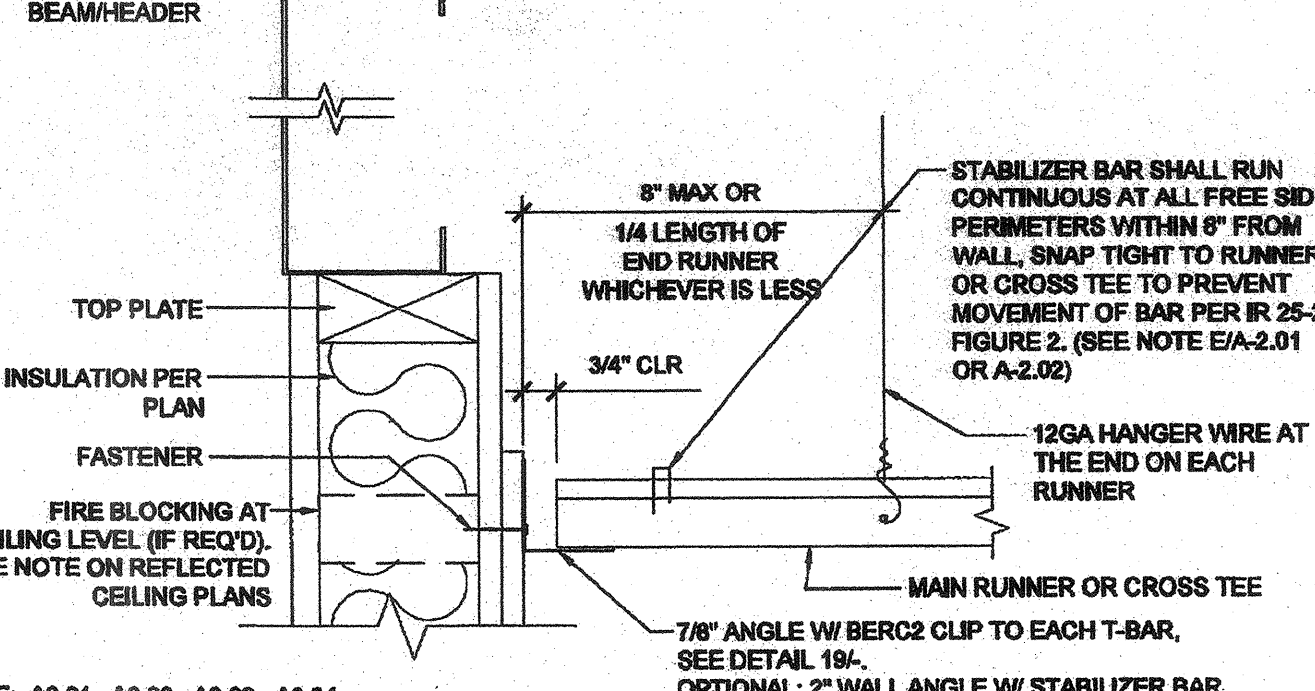
**SEISMIC SPLAY - 4 WAY** 3 REF: A2.01, A2.02, A2.03, A2.04 SCALE: NTS



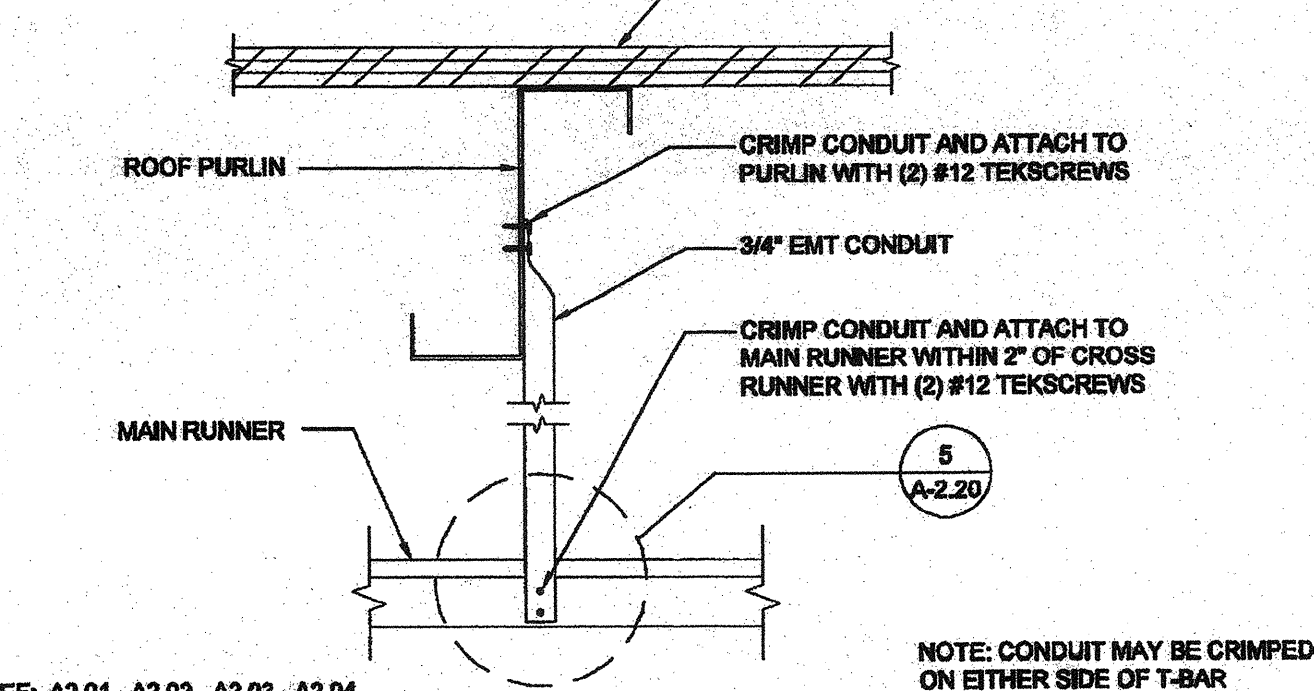
**FREE SIDE WITH 7/8" ANGLE** 19 REF: A2.01, A2.02, A2.03, A2.04 SCALE: NTS



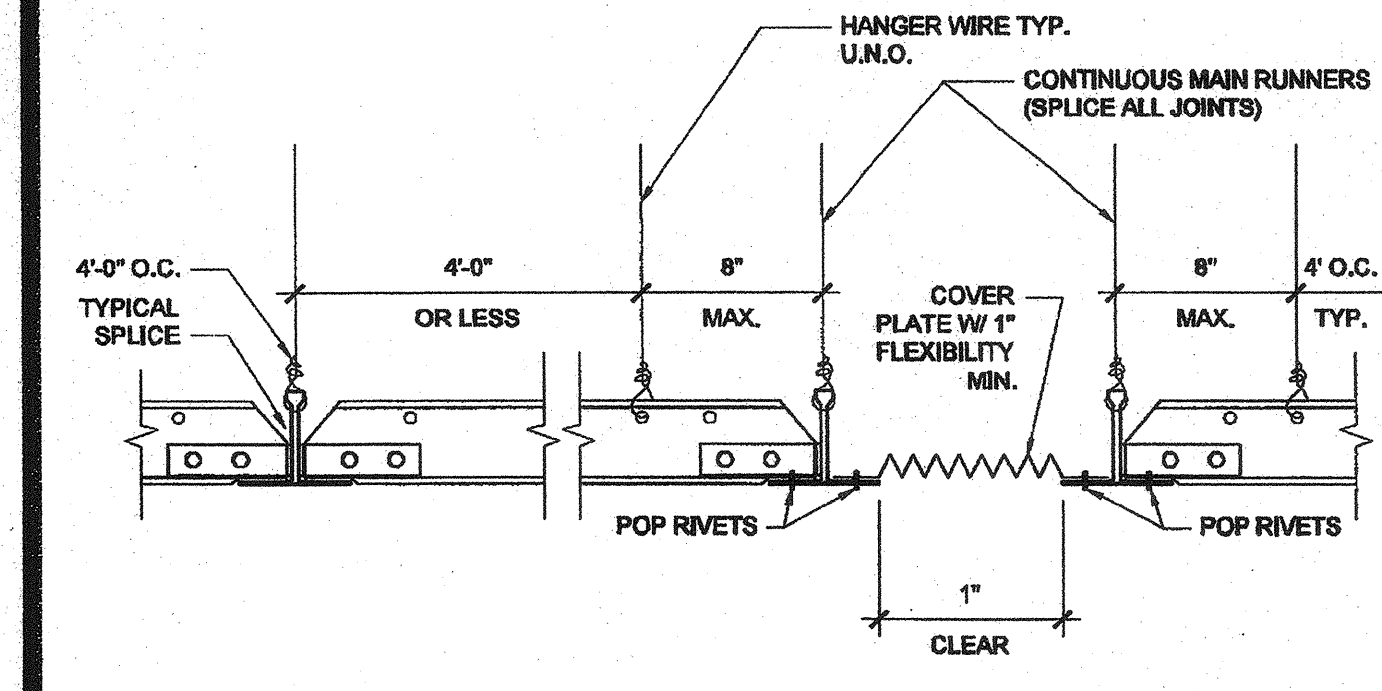
**FREE SIDE (ENDWALL)** 14 REF: A2.01, A2.02, A2.03, A2.04 SCALE: 3/8"=1'-0"



**FREE SIDE (SIDEWALL)** 9 REF: A2.01, A2.02, A2.03, A2.04 SCALE: 3/8"=1'-0"



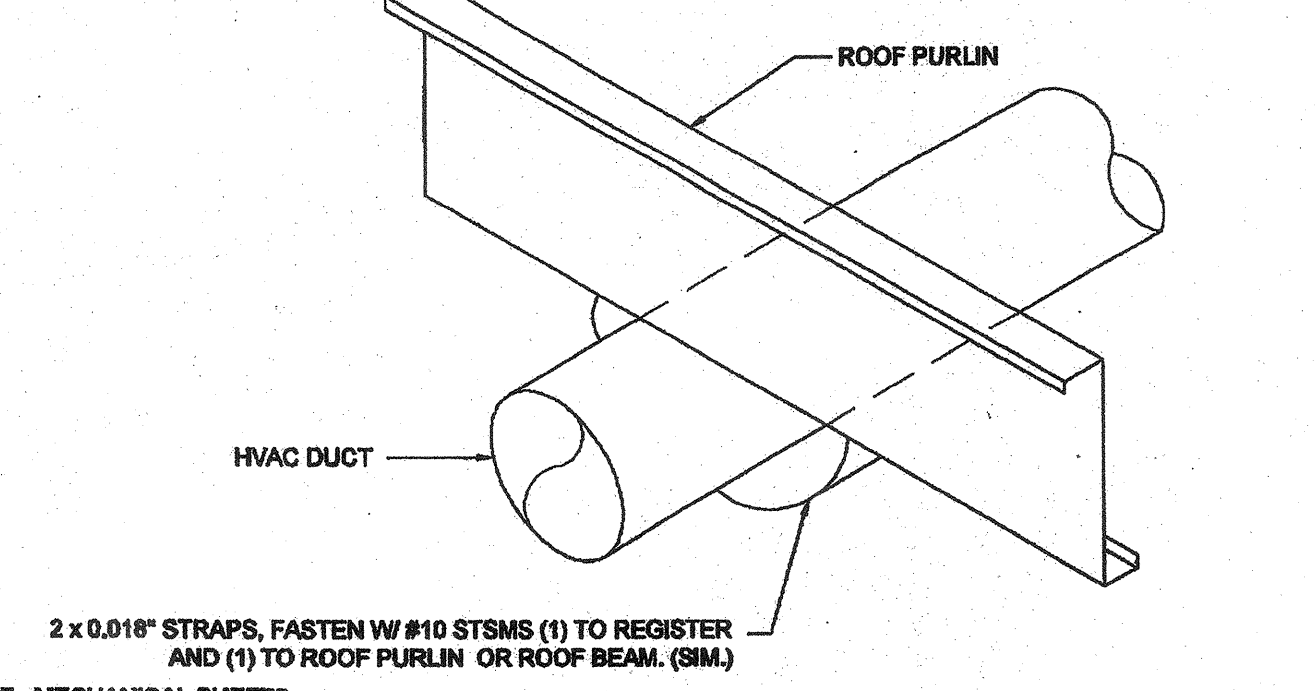
**COMPRESSION STRUT** 4 REF: A2.01, A2.02, A2.03, A2.04 SCALE: 3/8"=1'-0"



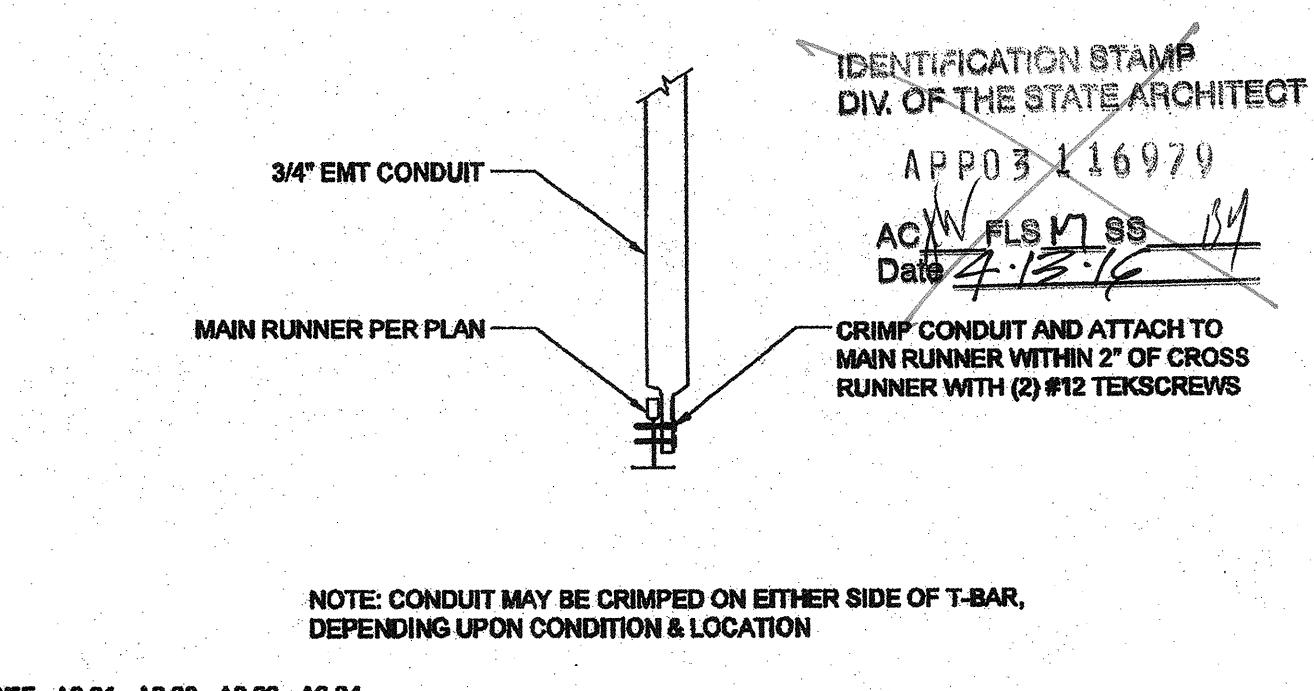
**GRID SEISMIC SEPARATION JOINT** 20 REF: A2.01, A2.02, A2.03, A2.04 SCALE: 3/8"=1'-0"



**NOT USED** 15



**HVAC DUCTWORK MOUNTING** 10 REF: MECHANICAL SHEETS SCALE: NTS



**COMPRESSION STRUT** 5 REF: A2.01, A2.02, A2.03, A2.04 SCALE: 3/8"=1'-0"

THESE DRAWINGS AND ALL MATERIAL CONTAINED HEREIN ARE THE PROPERTY OF SILVERCREEK INDUSTRIES, INC (SCI Inc) AND SHALL NOT BE REPRODUCED, COPIED OR OTHERWISE DISPOSED OF DIRECTLY OR INDIRECTLY AND SHALL NOT BE USED IN WHOLE OR IN PART TO ASSIST IN THE MAKING OF OR FOR THE PURPOSE OF FURNISHING ANY INFORMATION FOR THE MAKING OF DRAWINGS, PRINTS, APPARATUS OR PARTS THEREOF WITHOUT THE FULL KNOWLEDGE AND WRITTEN CONSENT OF SCI Inc. ALL PATENTABLE MATERIAL CONTAINED HEREIN AND ORIGINATING WITH SCI Inc SHALL BE THE PROPERTY OF SCI Inc.

**SILVER CREEK INDUSTRIES, INC.**  
 "BUILDING FOR THE NEXT GENERATION"  
**SILVER CREEK**  
 195 EAST MORGAN FERRIS, CALIFORNIA 92571  
 PHONE: 951-943-5393 FAX: 951-943-2211

PROJECT NAME:  
**CLASS LEASING CLASSROOMS BLDG'S**  
 SHEET TITLE:  
**CEILING DETAILS T-GRID**

**STAVARES ASSOCIATES**  
 ARCHITECT OF RECORD  
 12/23/2011

ARCHITECT OF RECORD ARCHITECT SUBMISSION  
 IDENTIFICATION STAMP  
 DIV. OF THE STATE ARCHITECT  
 APP03 117549  
 AC N FLS M SS TH  
 Date OCT 11 2016  
 12GA SPLAY BRACE WIRE

PROJECT SPECIFIC STATE AGENCY APPROVAL  
 IDENTIFICATION STAMP  
 DIV. OF THE STATE ARCHITECT  
 OFFICE OF REGULATION SERVICES  
 04 11 3850  
 AC N FLS M SS TH  
 DATE AUG 27 2014

ORIGINAL PC STATE AGENCY APPROVAL  
 IDENTIFICATION STAMP  
 DIV. OF THE STATE ARCHITECT  
 OFFICE OF REGULATION SERVICES  
 PC 04-112070  
 AC N FLS M SS TH  
 DATE SEP 04 2011

REVISIONS

SILVER CREEK INDUSTRIES  
 30' x 32' PC

PROJECT NO:  
 DRAWN BY:  
 SCALE: AS NOTED  
 DATE: 6-17-11  
 P.C. SHEET NUMBER  
**A-2.20**