

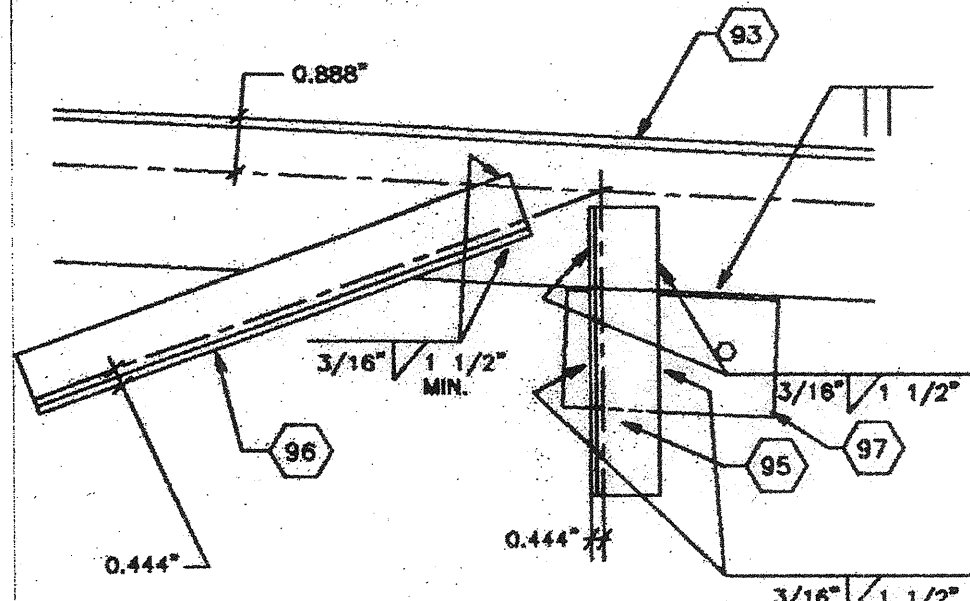
TRUSS ELEVATION

CAMBER TRUSS 1/2" @ MIDSPAN

A

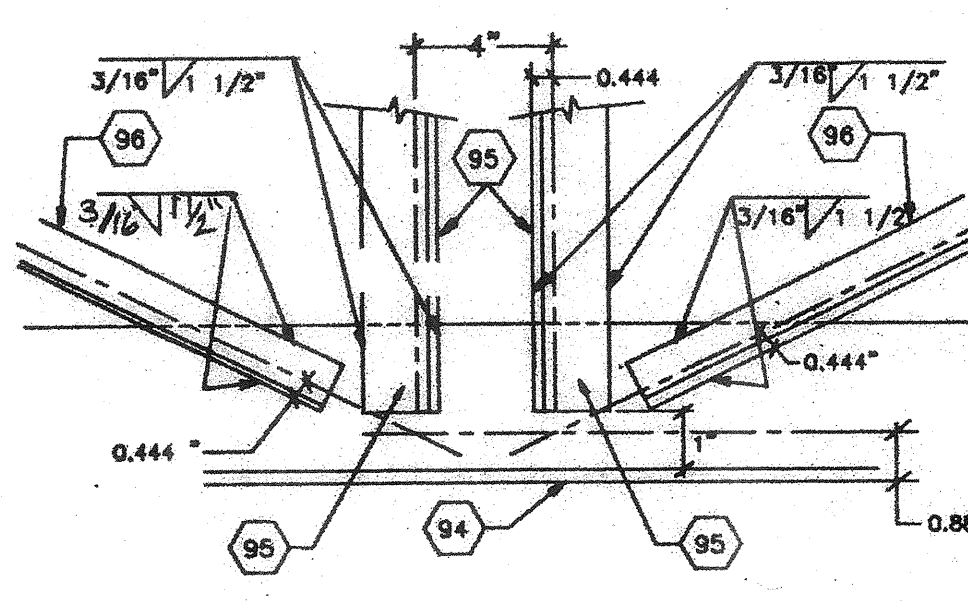
KEYNOTES

- 4. 3/16"x3/16"x3/16" STEEL TUBE
- 6. 5/8" MACHINE BOLT FOR MODULE CONNECTION
- 7. 1/4" CAP PLATE
- 71. ROOF JOIST
- 93. \angle 3"x3"x3/8" TOP CHORD.
- 94. \angle 3"x3"x3/8" 1/2" CHAMBER AT MIDPOINT
- 95. \angle 1 1/2"x1 1/2"x3/16" VERTICAL MEMBER
- 96. \angle 1 1/2"x1 1/2"x3/16" DIAGONAL MEMBER TYP.
- 97. 3/8"x3/8" 1/2" PLATE WITH 11/16" HOLE FOR 5/8" MACHINE BOLT. LOCATE PLATES @ 8'-0" O.C. FOR MODULE CONNECTION. SEE DETAIL 8.
- 98. 1 1/2"x1 1/2"x3/16" BRACE @ EVERY OTHER JOIST
- 99. 1 1/2"x1 1/2"x3/16" END DIAGONAL (WITH 4" OF 3/16" FILLET WELD EACH END)



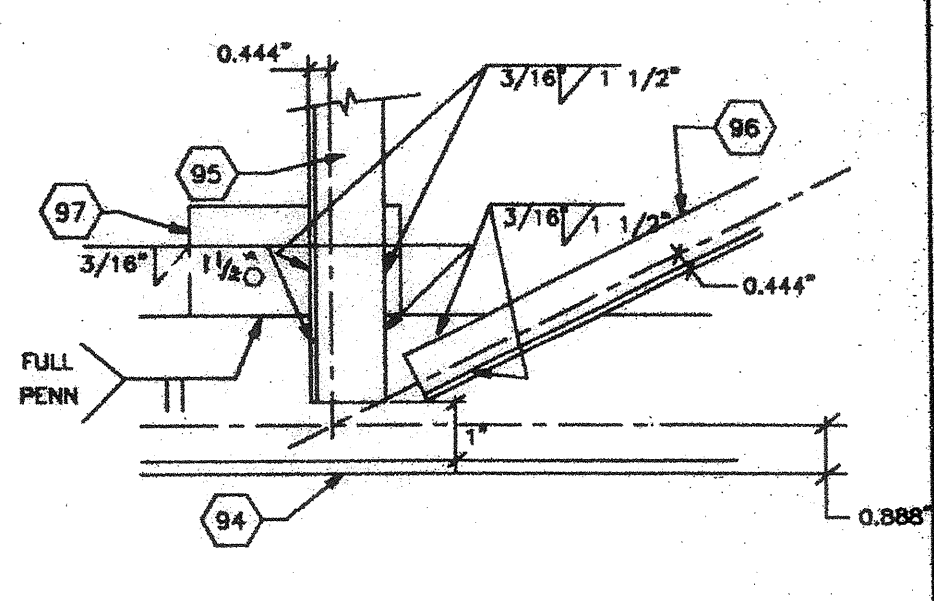
VERT. & DIAG. TOP CHORD

1



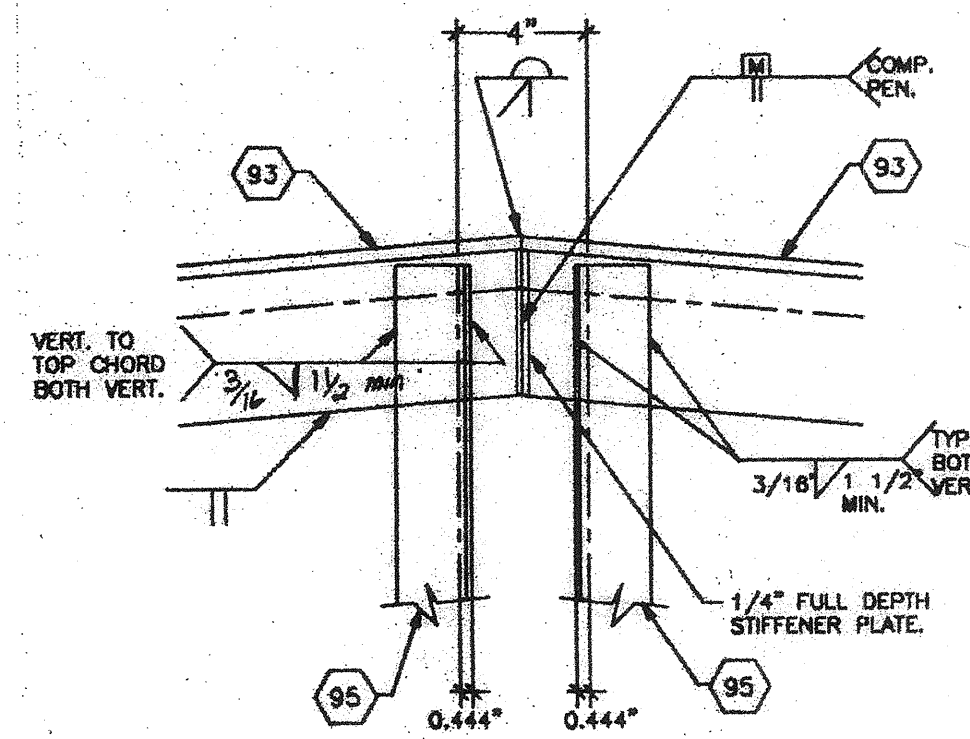
BOTTOM CHORD AT MIDSPAN

2



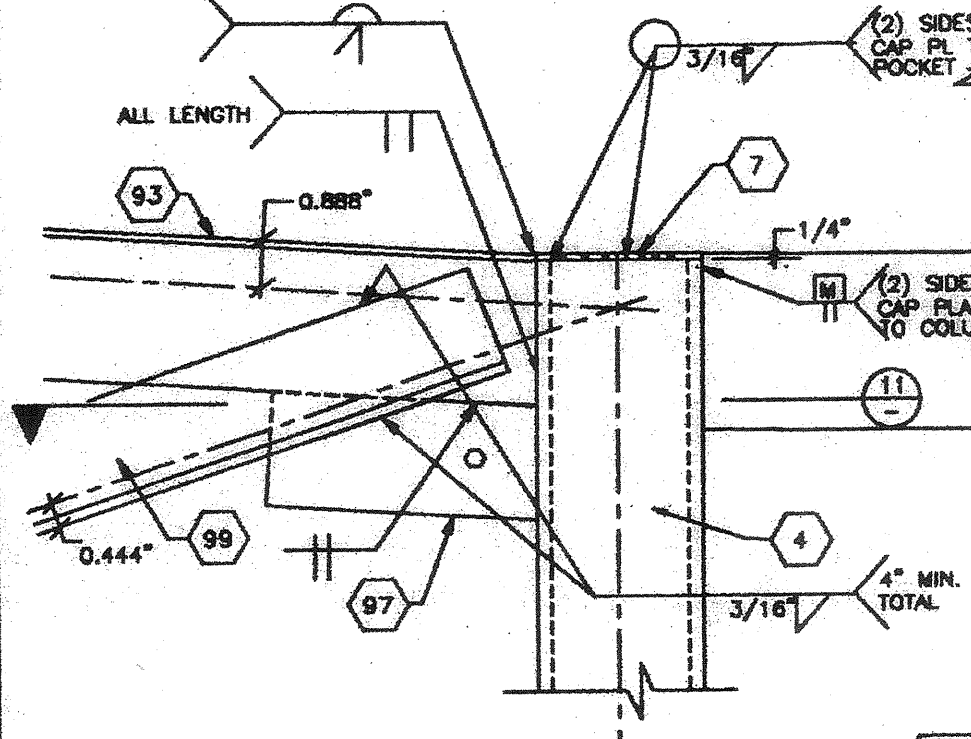
VERT & DIAG TO BOTTOM CHORD

3



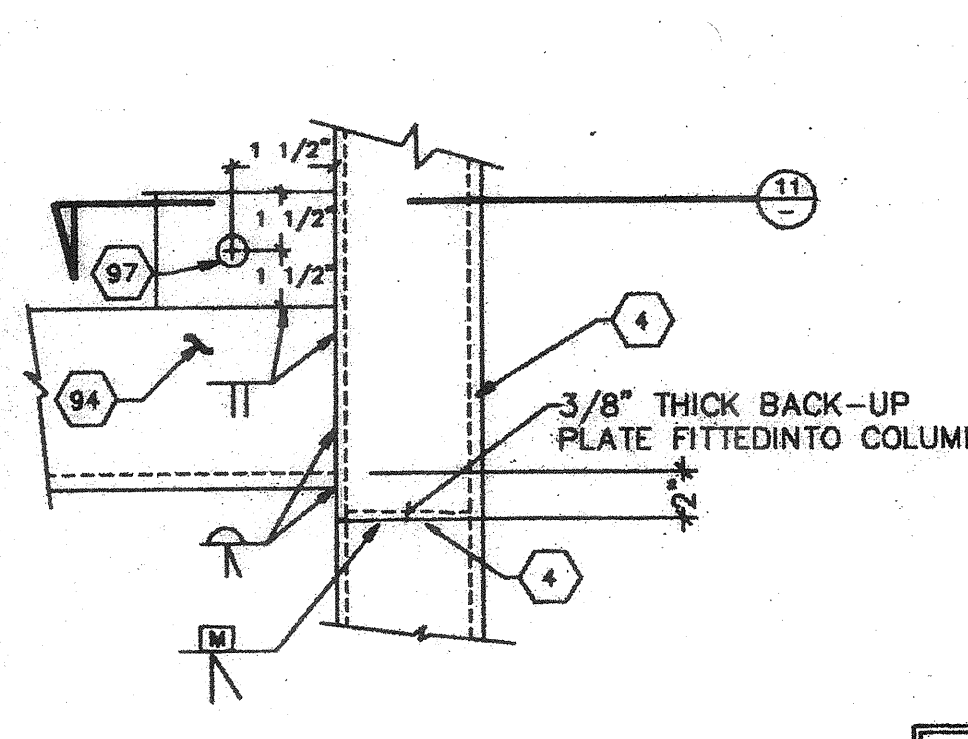
TOP CHORD AT MIDPOINT

4



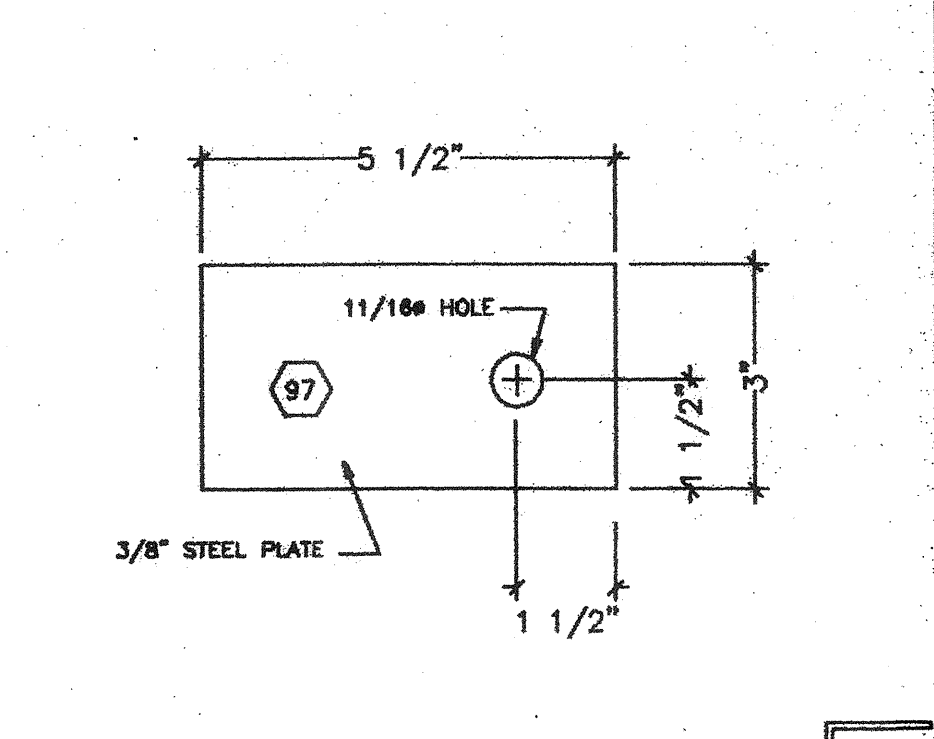
POST CONN TO TRUSS

5



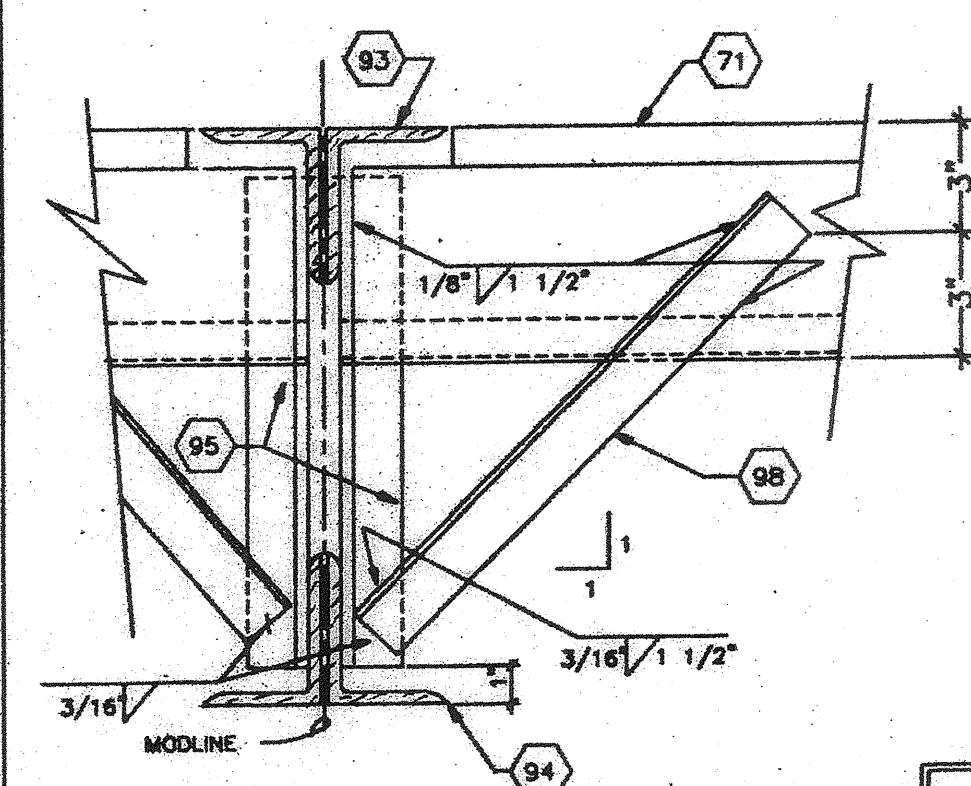
POST CONN TO TRUSS

6



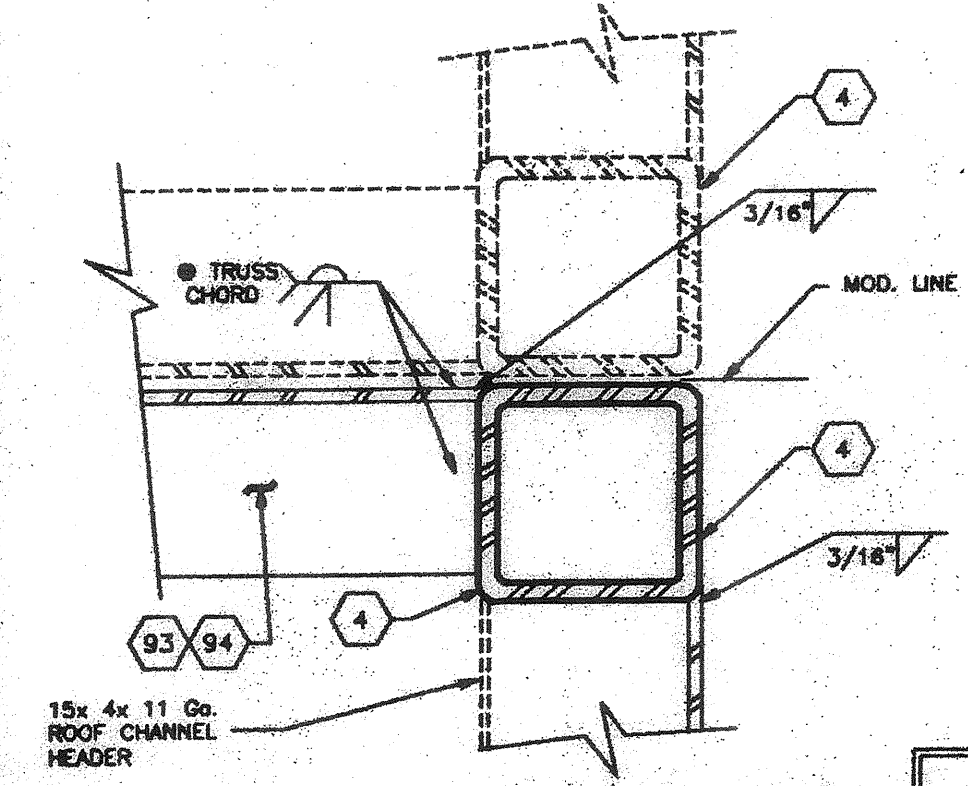
TIE PLATES

7



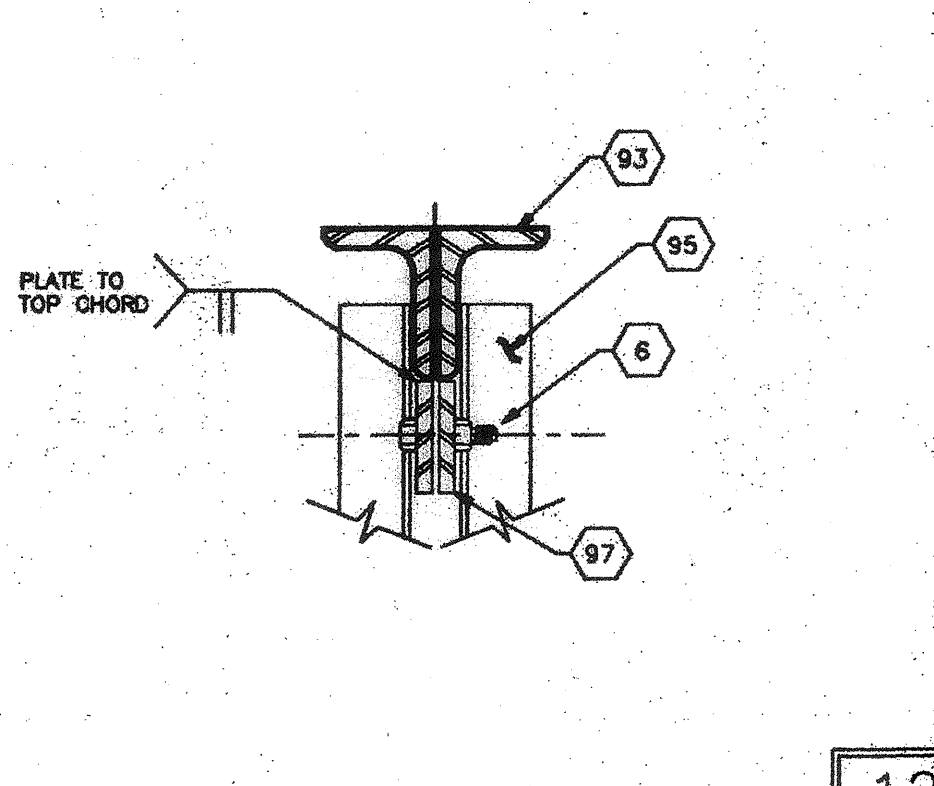
TRUSS TO ROOF JOIST BRACING

8



MODULE CONN AT TOP/BOT. CORD

9

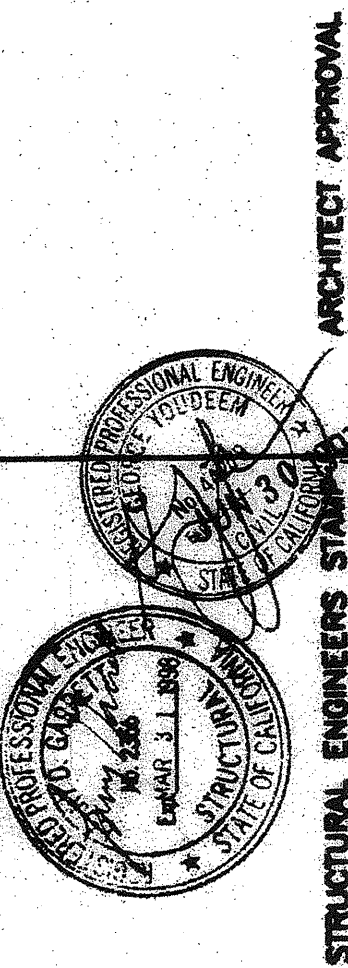


MODULE CONNECTION

10

IDENTIFICATION STAMP
DIV. OF THE STATE ARCHITECT
APP03 117549
AC / FLS - SS TH
Date OCT 11 2010

THIS DRAWING AND THE MATERIAL CONTAINED THEREIN ARE THE PROPERTY OF MSI, INC. AND SHALL BE THE PROPERTY OF MSI, INC. IF NOT RETURNED TO MSI, INC. WITHIN 30 DAYS OF THE DATE OF ISSUANCE OF THIS DRAWING. NO PART OF THIS DRAWING IS TO BE REPRODUCED OR TRANSMITTED IN ANY FORM OR BY ANY MEANS, ELECTRONIC OR MECHANICAL, INCLUDING PHOTOCOPYING, RECORDING, OR BY ANY INFORMATION STORAGE AND RETRIEVAL SYSTEM, WITHOUT THE WRITTEN PERMISSION OF MSI, INC.



MSI
MODULAR STRUCTURES INTERNATIONAL, INC.
17185 VON KARMAN, SUITE # 108
IRVINE, CALIFORNIA 92614
PHONE: (949) 750-3333 FAX: (949) 750-1823

REGENCY ENGINEERING & CONSULTING GROUP
17185 VON KARMAN, SUITE # 108
IRVINE, CALIFORNIA 92614
PHONE: (949) 268-9799 FAX: (949) 268-9795
A SUBSIDIARY OF REGENCY COMPANY, INC.

PROJECT
24'x40', 36'x40', & 48'x40'
MODULAR CLASSROOM BUILDING

TITLE
STEEL TRUSS SECTION DETAILS,
FOR DOUBLE PITCH ROOF

JOB # 96-1310
DATE 12/9/96
DRAWN BY B.N.
SCALE NONE
APPROVED

REVISIONS
A 2/4/97
B 4/25/97 MSI REV.

PLOT DATE: 04/28/97
SHEET NO:
S-70