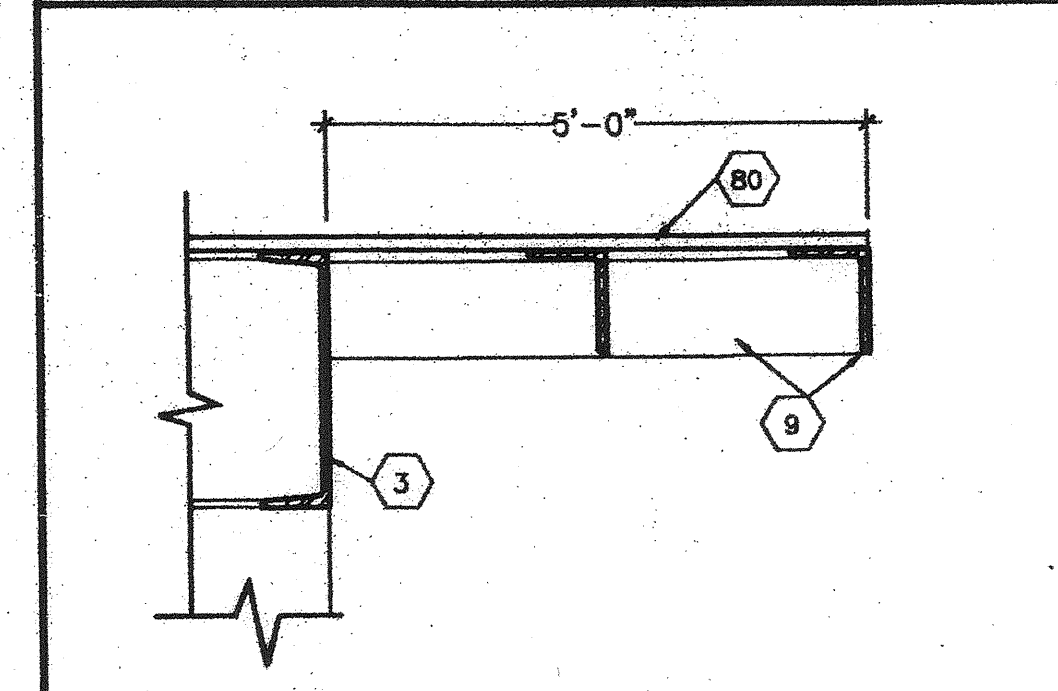
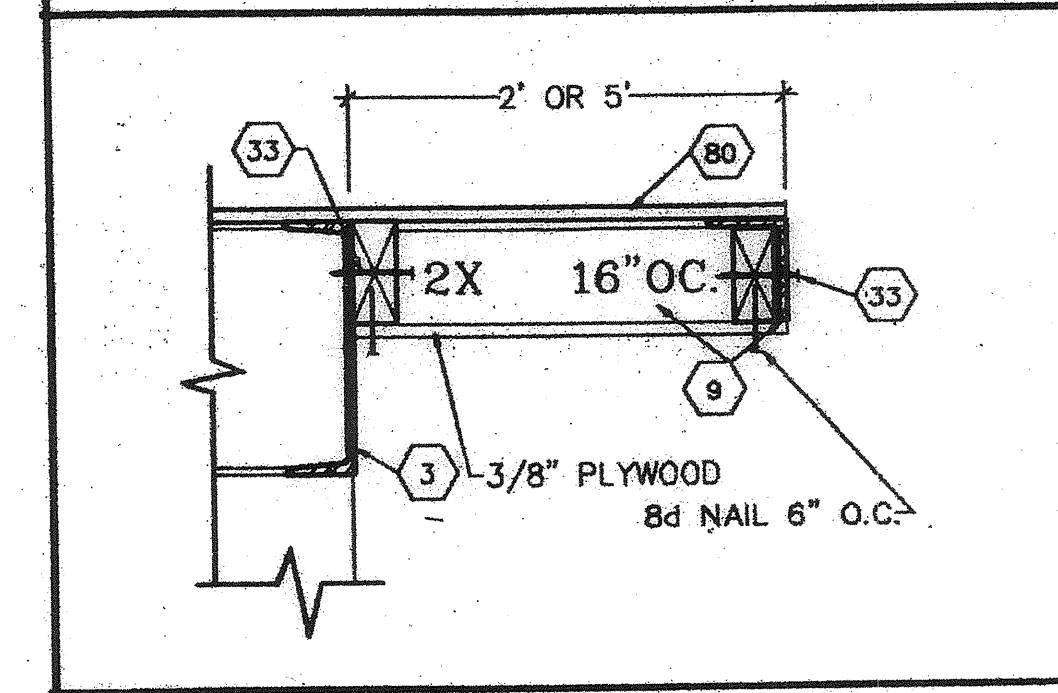


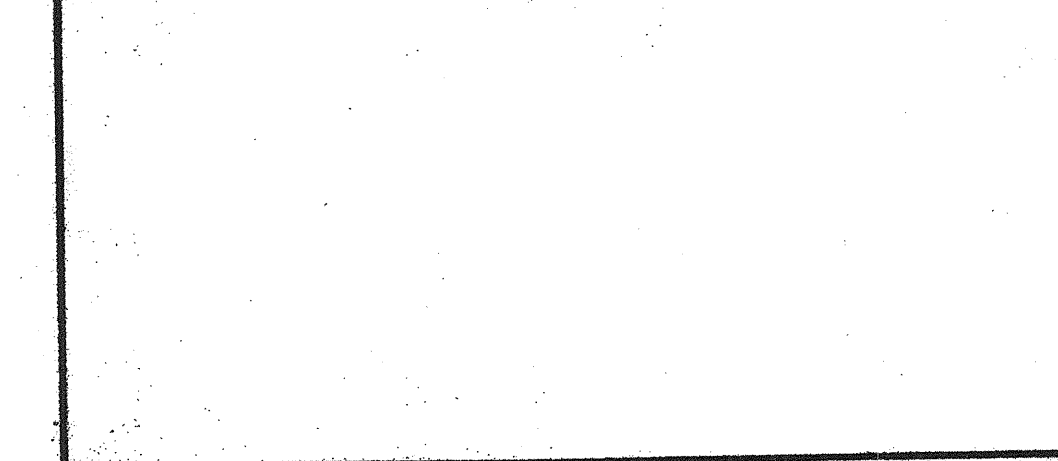
16 2' OVERHANG



17 5' OVERHANG



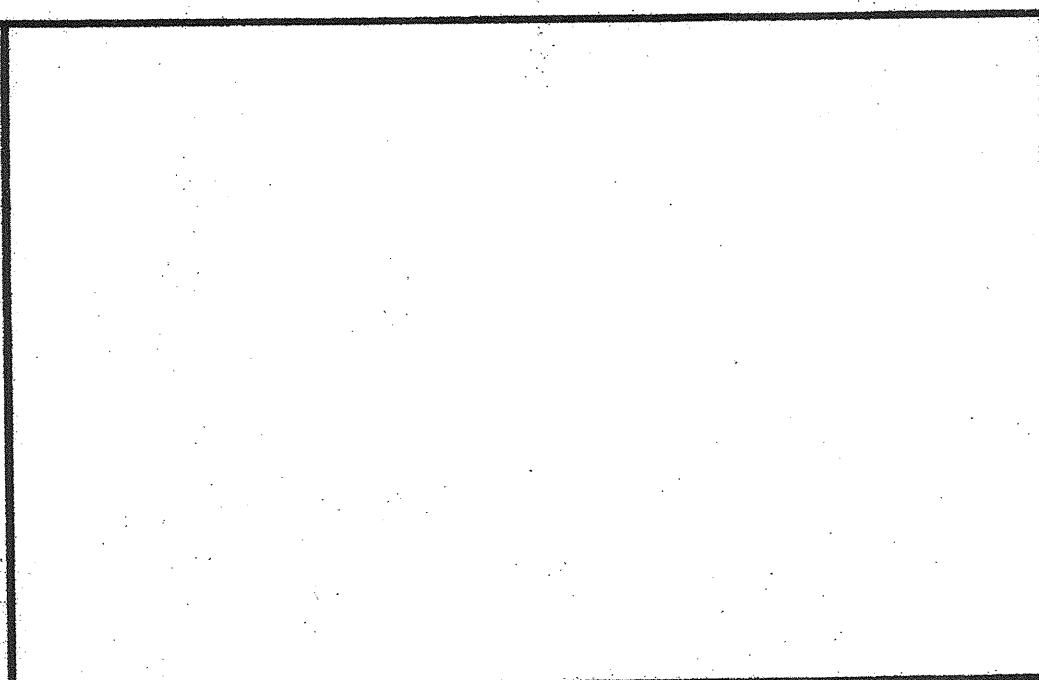
18 2' OR 5' OVERHANG OPTIONAL



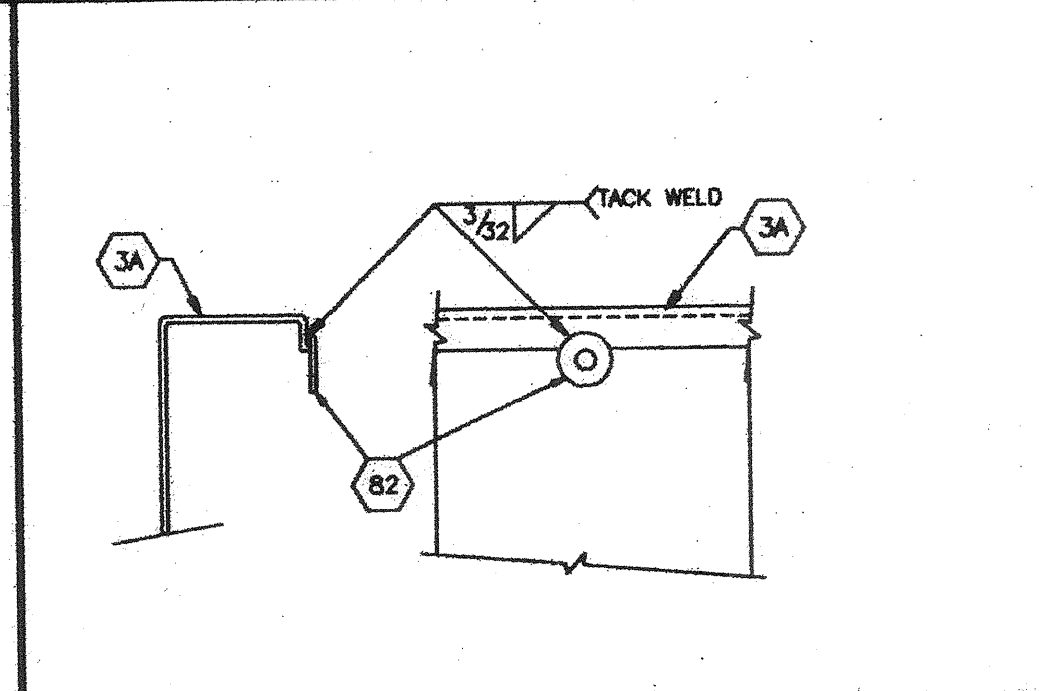
19 TYPICAL ROOF FASTENING



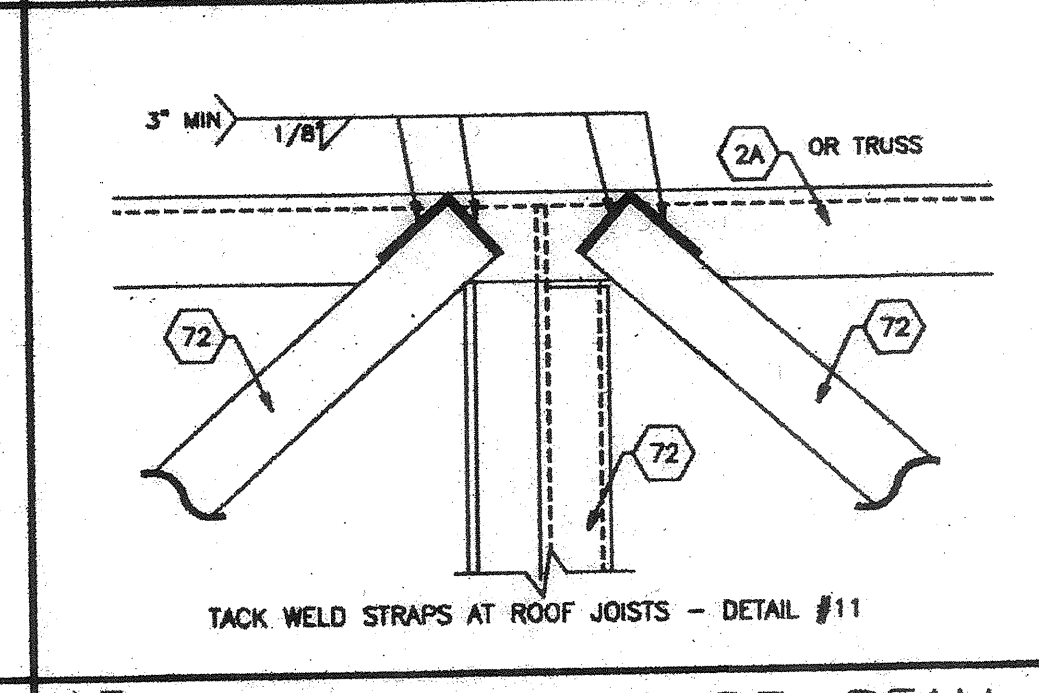
20 ANGLE TO ANGLE



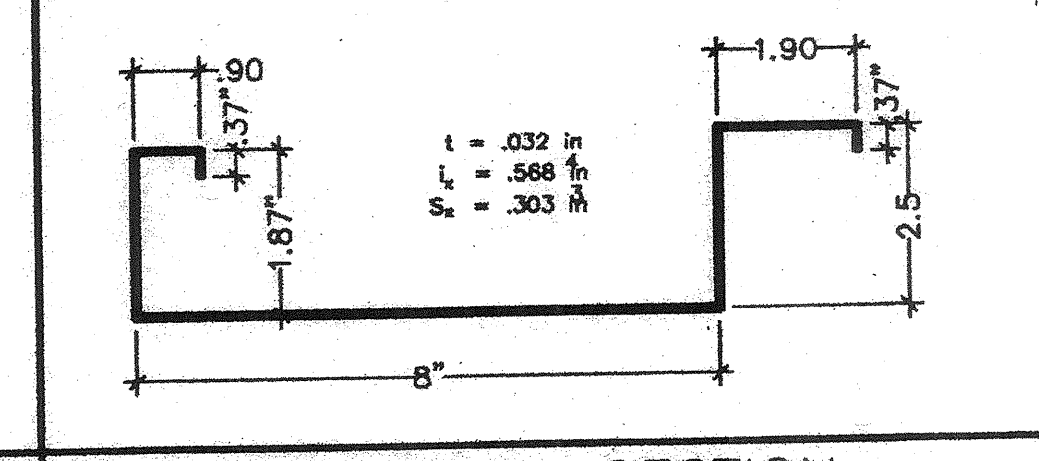
11 WELD WASHER



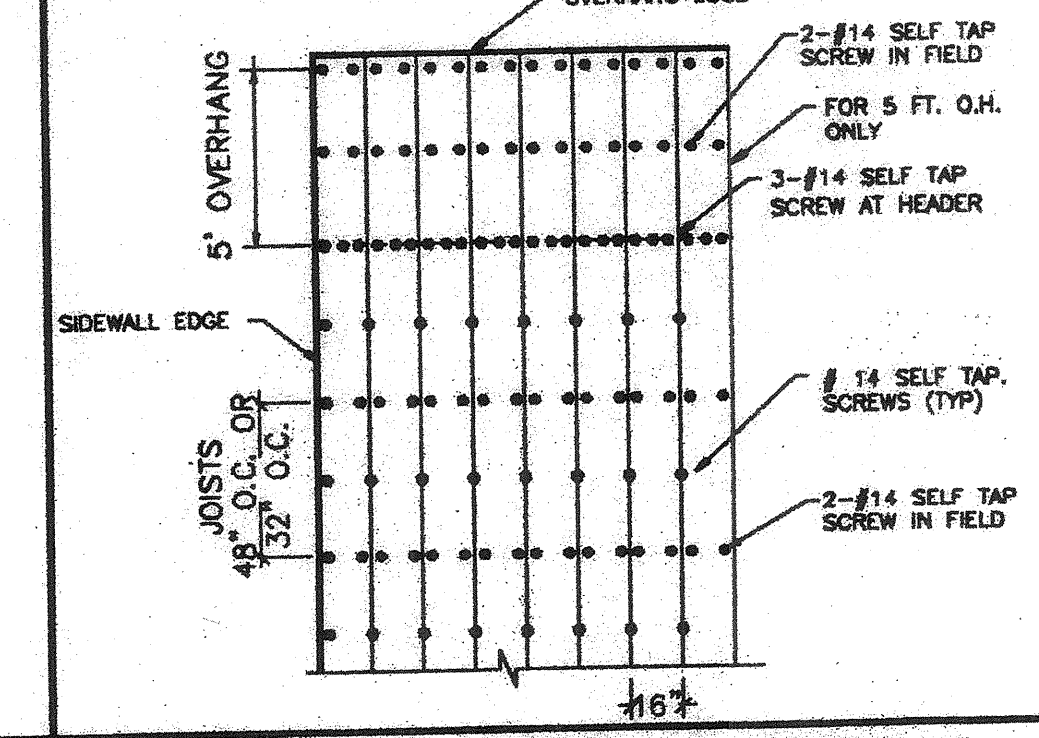
12 METAL ROOF AT BEAM



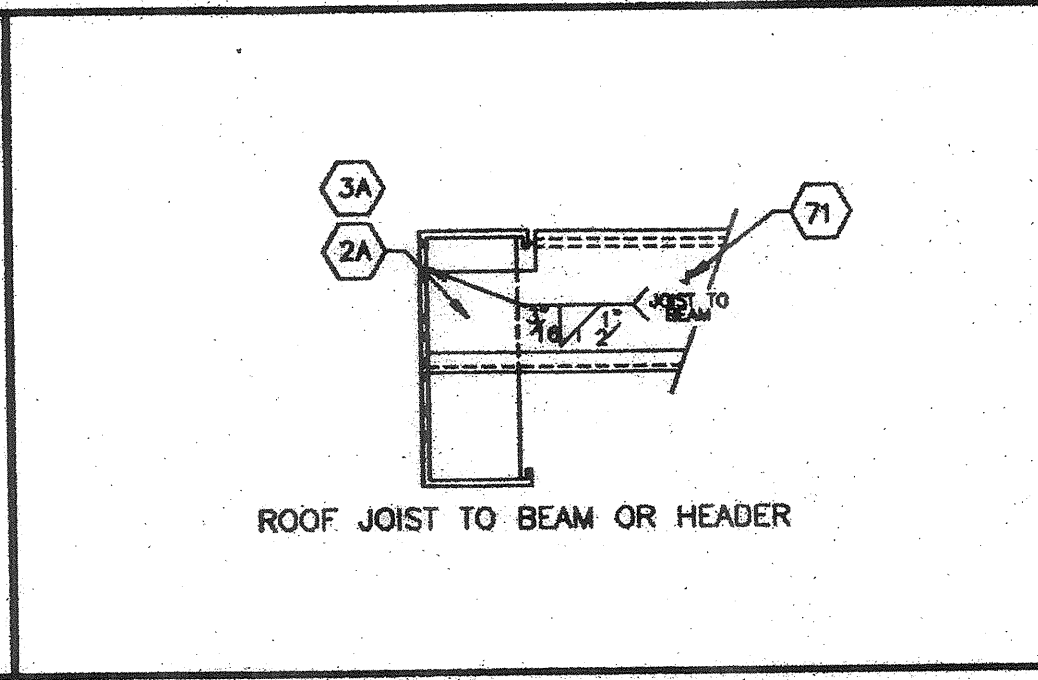
13 20 Ga. STRAP @ RF. BEAM



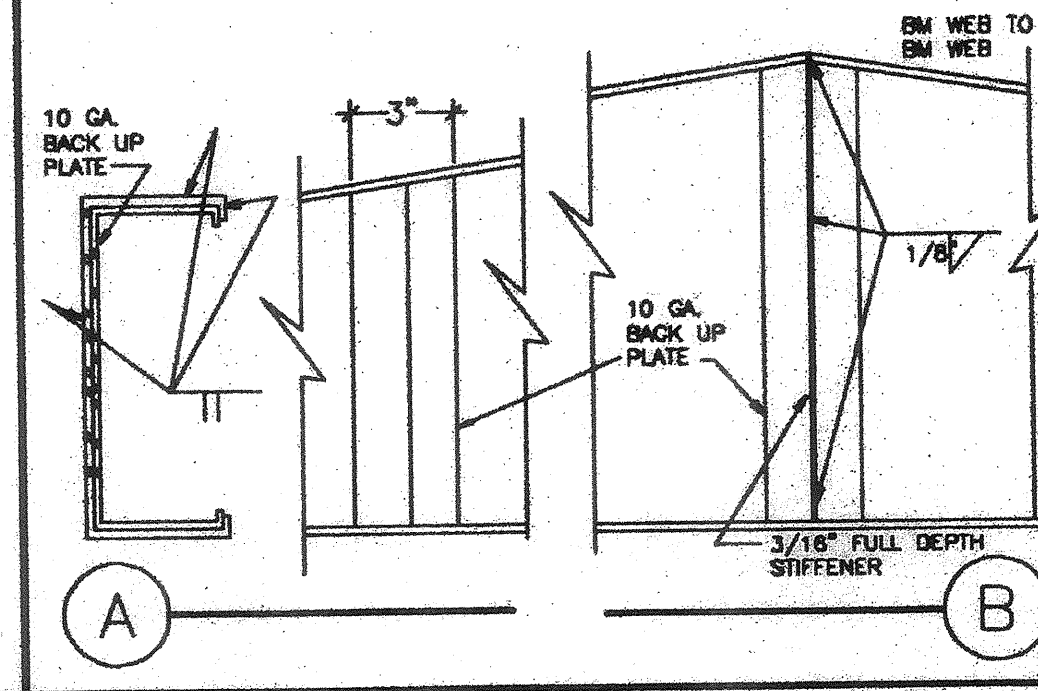
14 ROOF PANEL SECTION



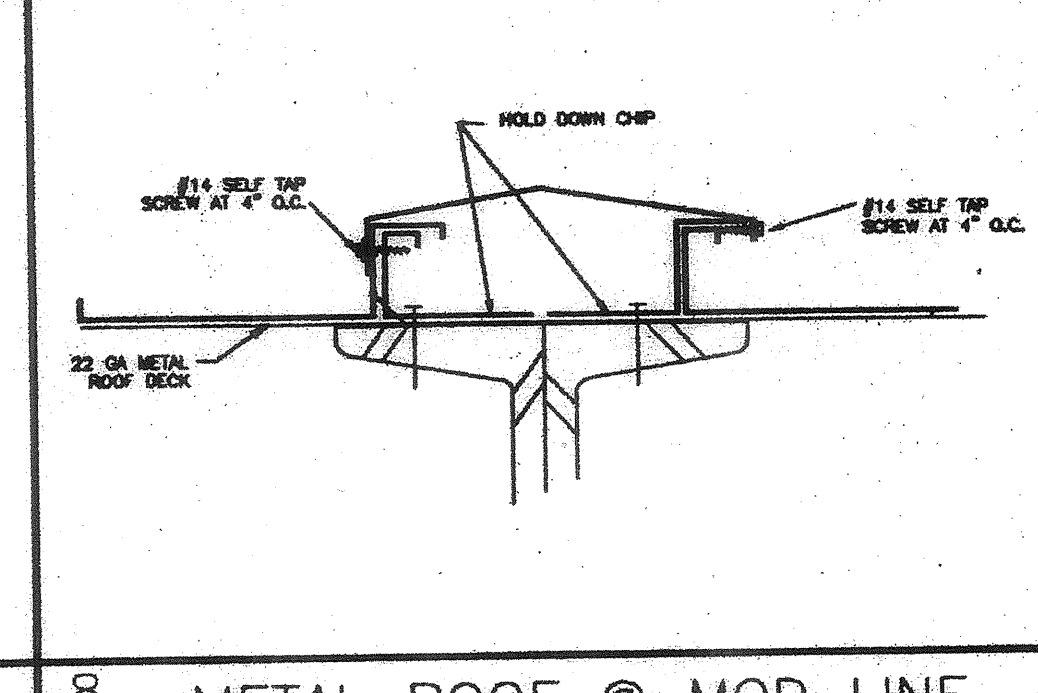
15 ROOF JOIST DETAILS



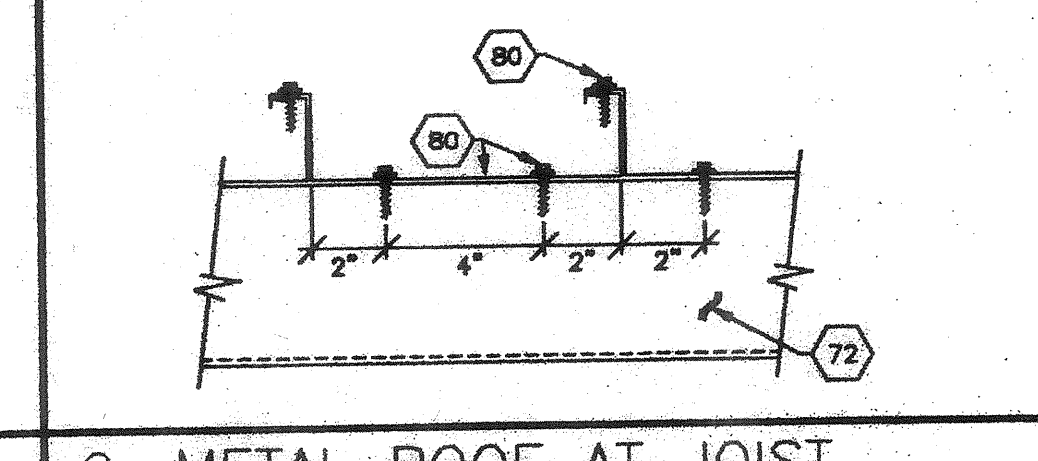
6 ROOF JOIST DETAILS



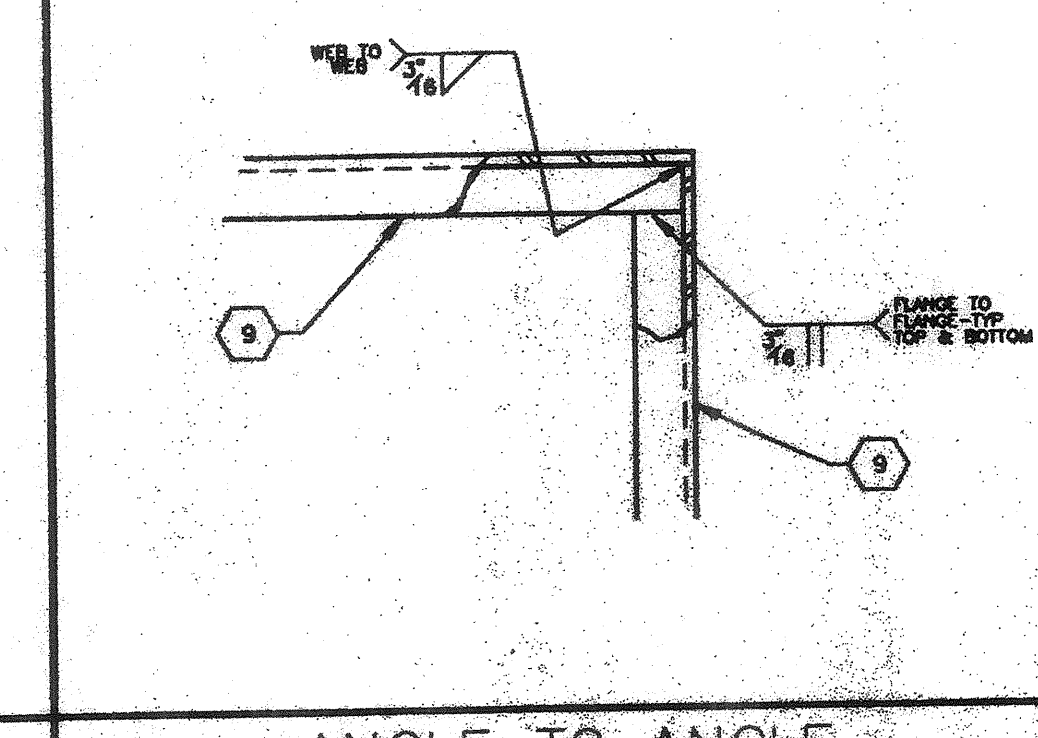
7 METAL ROOF AT BEAM



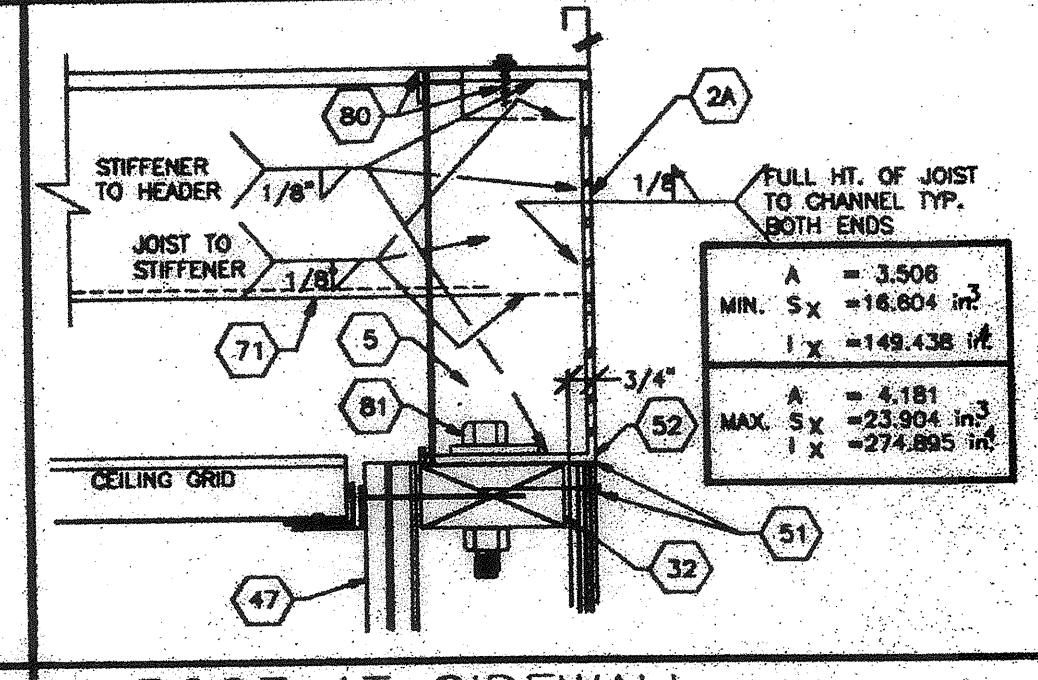
8 METAL ROOF @ MOD LINE



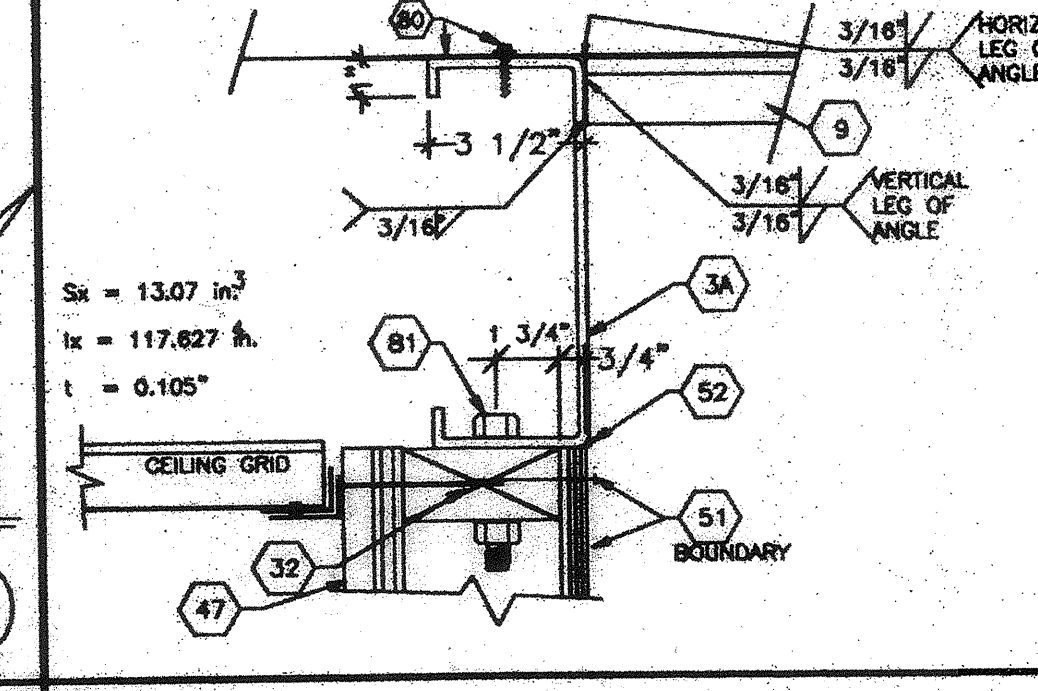
9 METAL ROOF AT JOIST



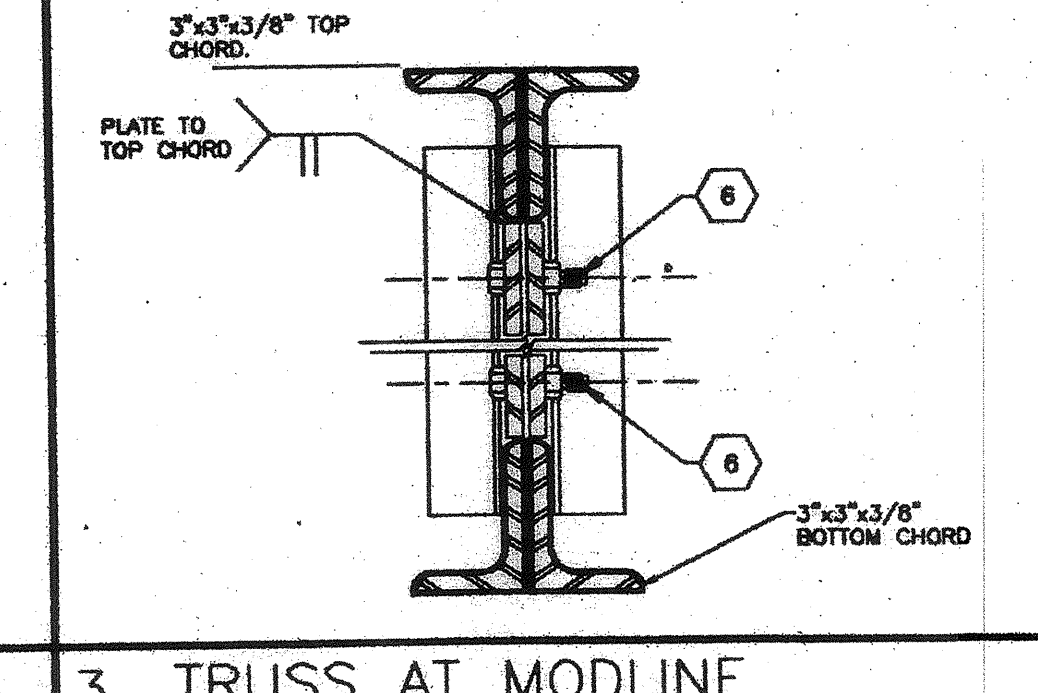
10 ANGLE TO ANGLE



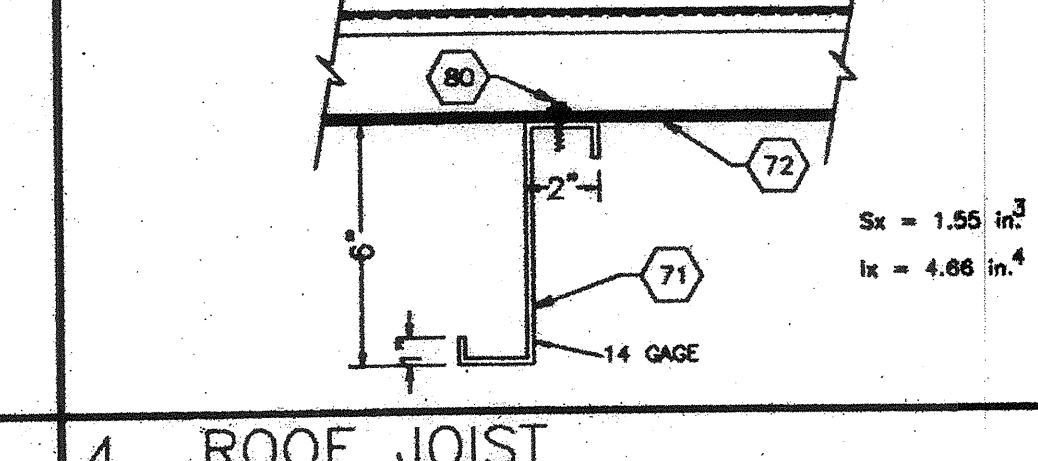
1 ROOF AT SIDEWALL



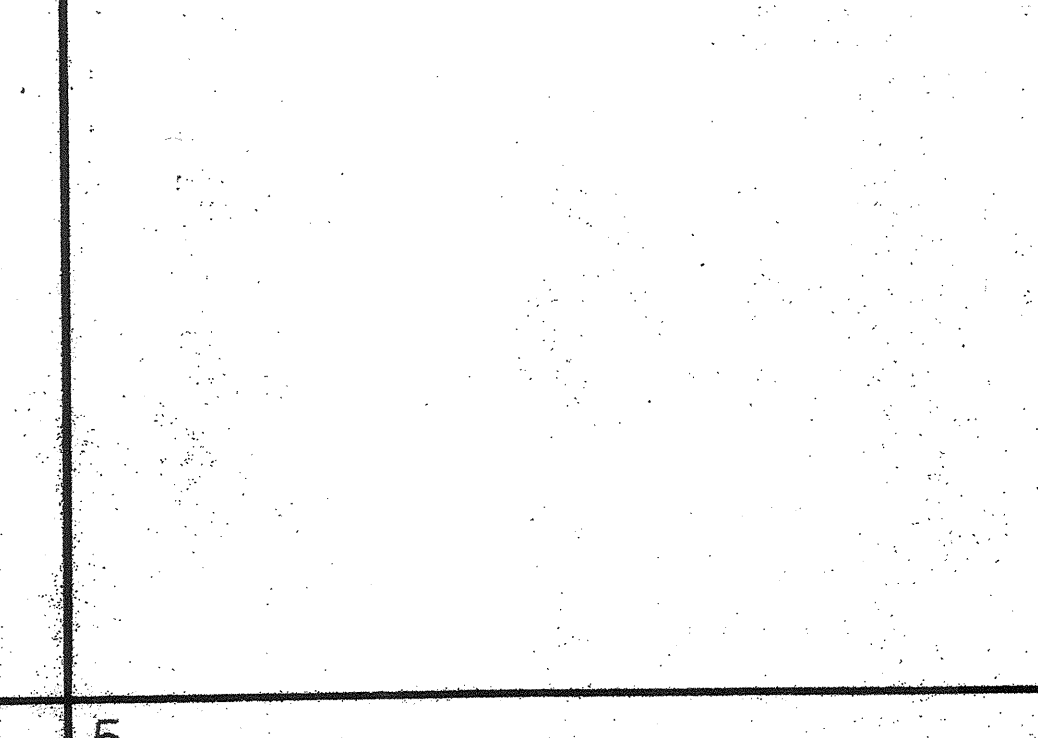
2 ROOF AT ENDWALL



3 TRUSS AT MODLINE



4 ROOF JOIST



5 TYPICAL INTERIOR FINISH

2A. [18 X 23-18 x 3 1/2 x 10 ga. CHANNEL  
 3A. 18x3 1/2"x12 Ga. CHANNEL ROOF HEADER  
 5. 3/16" FULL HEIGHT STIFFENER @ 4'-0" O.C. OR AT ROOF JOIST  
 6. 5/8" MACHINE BOLT @ MODULE CONNECTION  
 9. 4" x 3" x 3/8" @ PERM. OF ROOF OVERHANG.  
 32. 2 x 4 TOP PLATE OR BOTTOM PLATE  
 47. TYPICAL INTERIOR FINISH - SEE SHEET G-1  
 51. TYP. EXTERIOR FINISH - SEE SHEET G-1.  
 52. SEALANT  
 71. ROOF JOIST  
 72. 2" x 20 GAGE STRAP WITH 3" MIN. OF 1/8" WELD TO EACH END TO ROOF BEAM  
 80. STEEL ROOF DECK - 22 Ga. ROLL FORMED 2 1/2" STANDING SEAM ROOF DECK. USE #14 SELF TAP SCREWS @ 12" O.C. AT ROOF JOIST (2) PER PANEL, AND #14 SELF TAP SCREWS @ 4" O.C. AT HEADERS (3) PER PANEL AND 24" O.C. @ OUTSIDE EDGE. (1) #14 STS @ 4'-0" O.C. AT STANDING SEAM BETWEEN JOISTS.  
 81. WELD WASHER & 1/2" MACHINE BOLT @ 24" O.C. MIN. OR .170 PIN AT 18" O.C.  
 82. WELD WASHER - 1-3/8" x 3/32" WITH 9/16" HOLE. WELD TO UPPER CHANNEL FLANGE.  
 83. TYPICAL EXTERIOR FINISH - SEE SHEET G-1

IDENTIFICATION STAMP  
 DIV. OF THE STATE ARCHITECT  
 APP03 117549  
 AC / FLS - SS TH  
 Date OCT 11 2016

THIS DRAWING AND THE MATERIAL CONTAINED HEREIN ARE THE PROPERTY OF M.S.I. INC. AND SHALL NOT BE REPRODUCED, COPIED, EITHER WHOLLY OR IN PART, OR IN ANY MANNER, WITHOUT THE WRITTEN CONSENT OF M.S.I. INC. ALL PATENTABLE AND WRITABLE INVENTIONS ARE RESERVED AND WILL BE THE PROPERTY OF M.S.I. INC. MATERIAL CONTAINED HEREIN IS THE PROPERTY OF M.S.I. INC. M.S.I. INC. SHALL BE THE PROJECT OF M.S.I. INC.

ARCHITECT APPROVAL  
 STRUCTURAL ENGINEERS STAMP  
 STATE AGENCY APPROVAL  
 PROJECT  
 24'x40', 36'x40', & 48'x40'  
 MODULAR CLASSROOM BUILDING  
 TITLE  
 ROOF CONSTRUCTION DETAILS FOR  
 COLD ROLLED AND METAL ROOFING

MSI  
 MODULAR STRUCTURES INTERNATIONAL, INC.  
 480 GUNN AVE. WESTLAND, CALIFORNIA 94398  
 PHONE (925) 790-3030 FAX (925) 790-1858

REGENCY ENGINEERING & CONSULTING GROUP  
 10000 BURNING TREE DRIVE, SUITE F 108  
 IRVINE, CA 92714  
 TELEPHONE: (714) 995-9799  
 FAX: (714) 995-5760 A SUBSIDIARY OF REGENCY COMPANY, INC.

STATE AGENCY APPROVAL  
 JOB # 96-1310  
 DATE 12/9/96  
 DRAWN BY B.N.  
 SCALE NONE  
 APPROVED  
 REVISIONS  
 2/4/97  
 4/25/97 MSI REV.

STATE AGENCY APPROVAL  
 PLOT DATE: 04/28/97  
 SHEET NO.  
 S-60