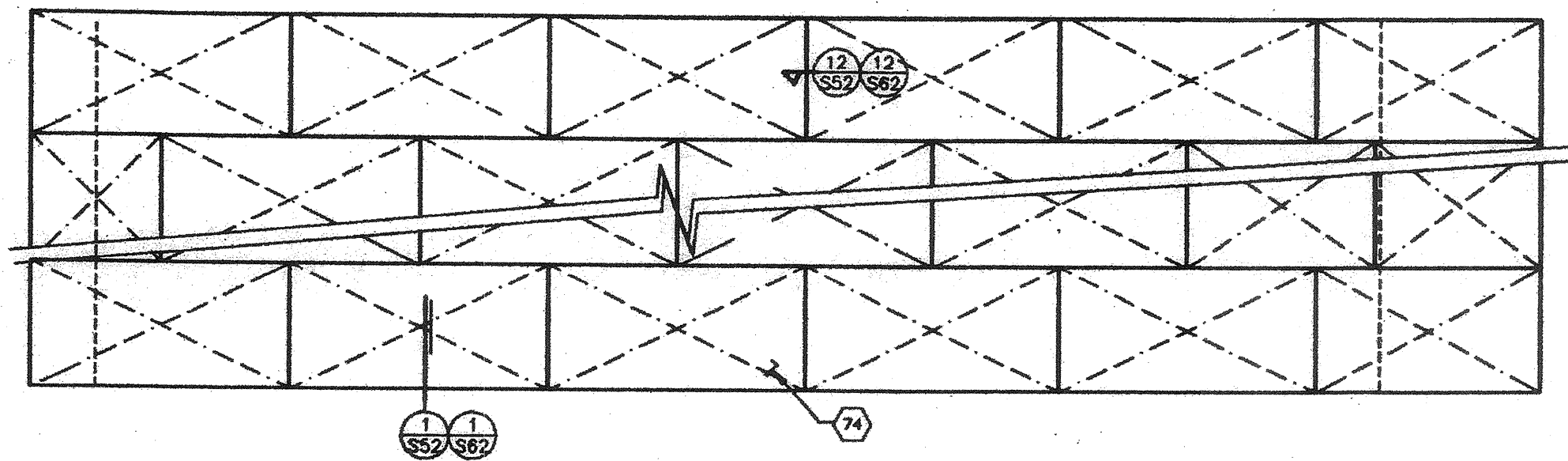
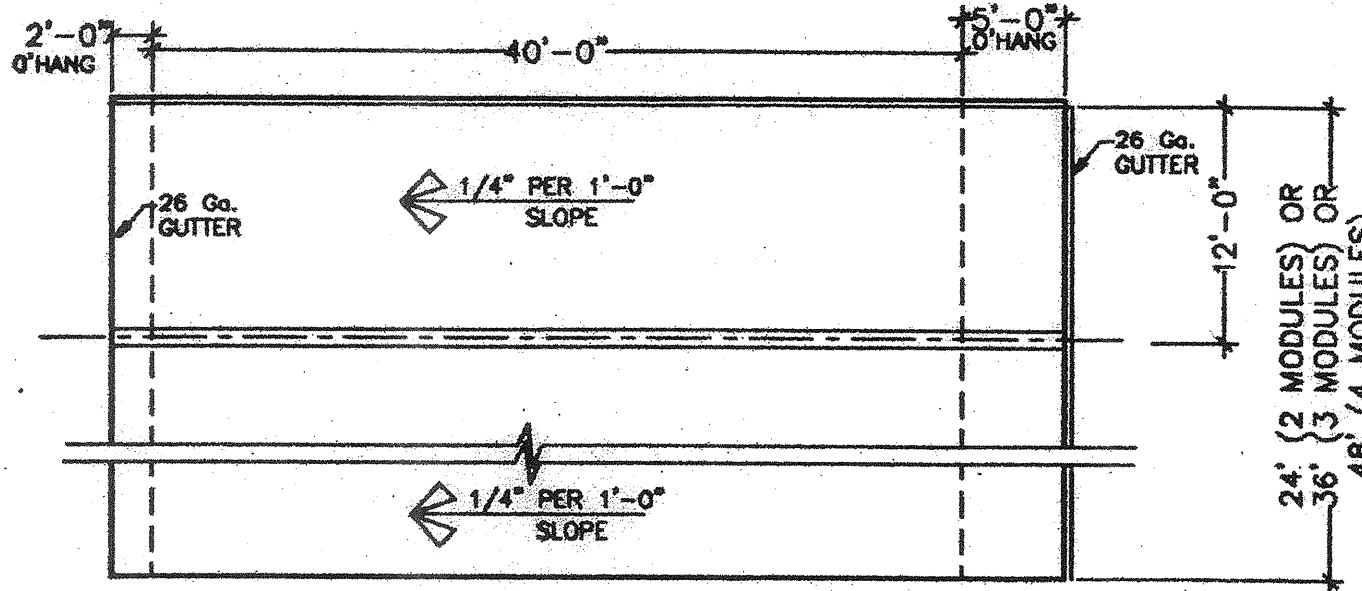


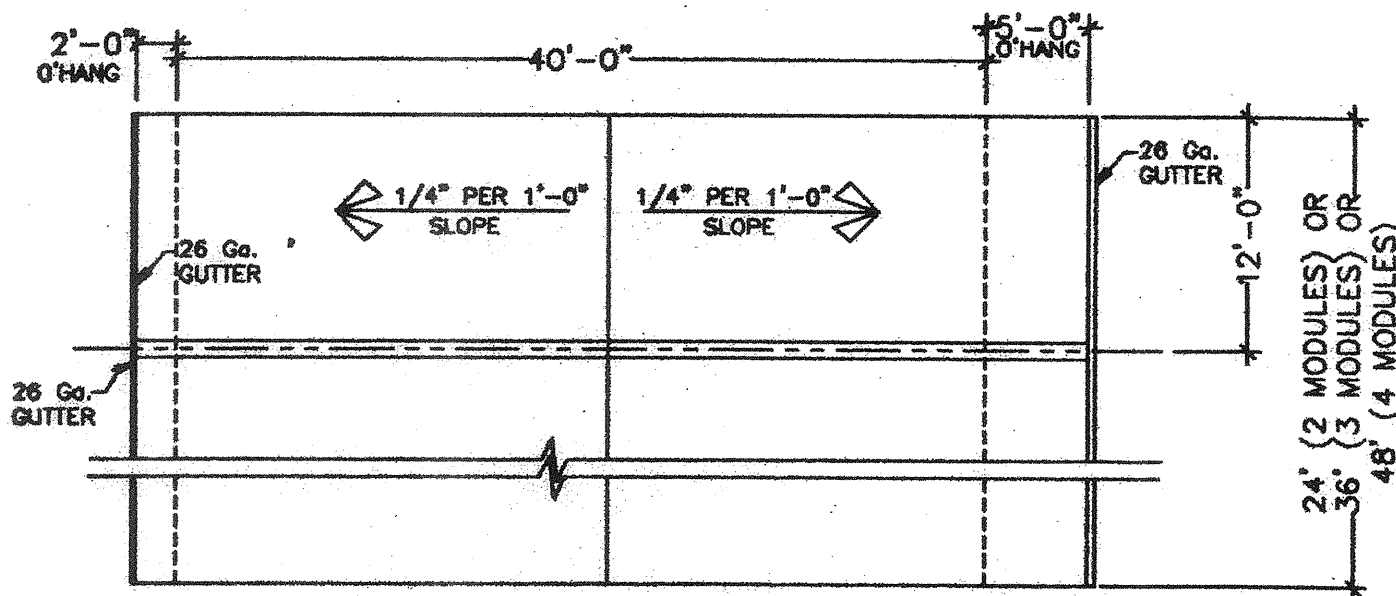
INSULATION @ ROOF



PLYWOOD DECKING LAYOUT
SINGLE SLOPE SHOWN



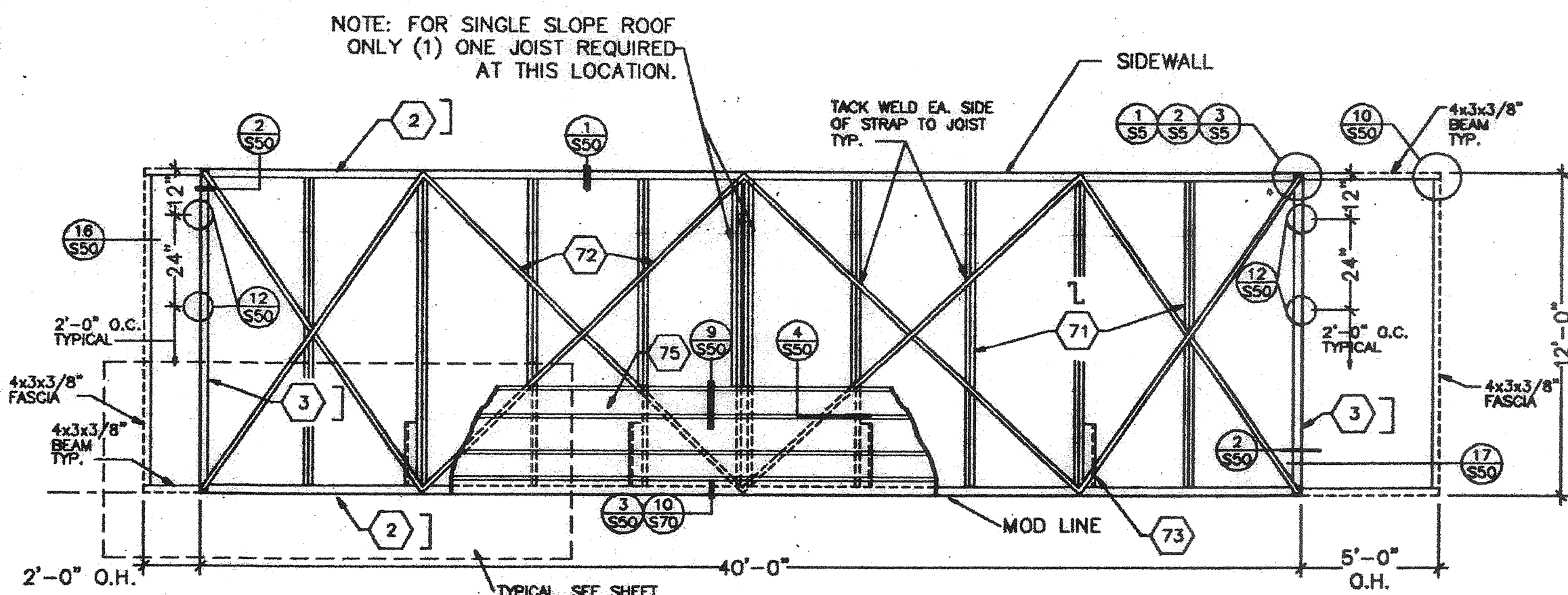
SINGLE SLOPE ROOF PLAN



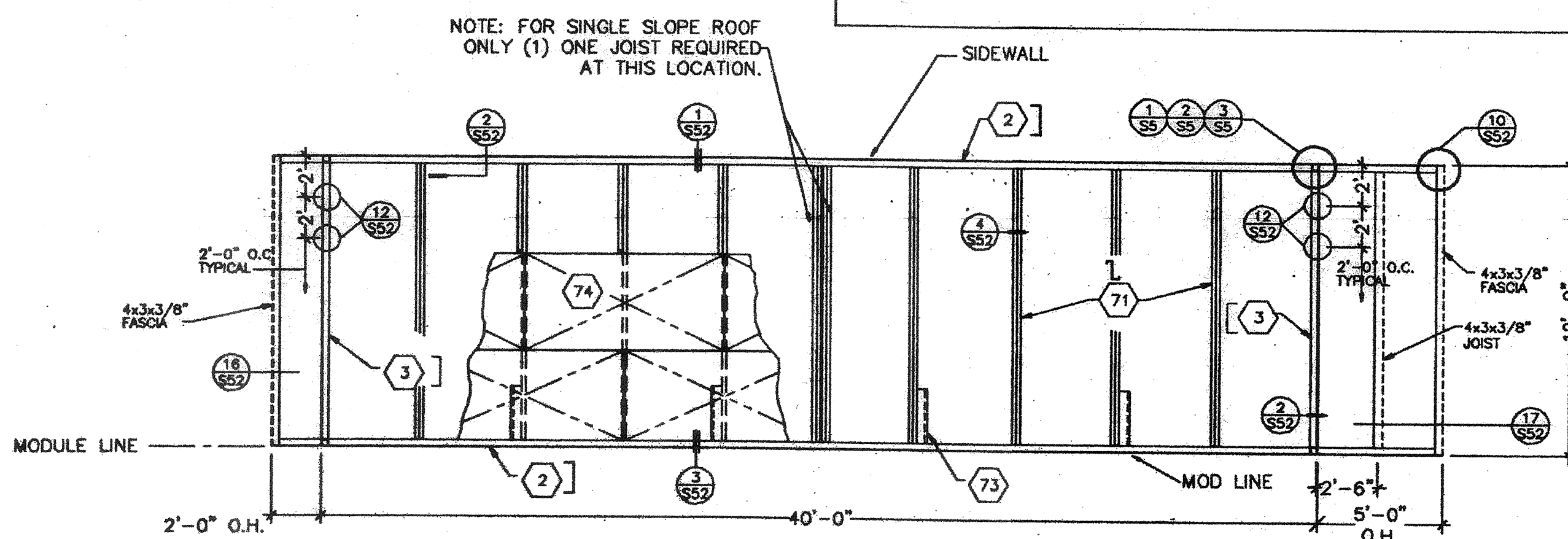
DOUBLE SLOPE ROOF PLAN

KEYNOTES

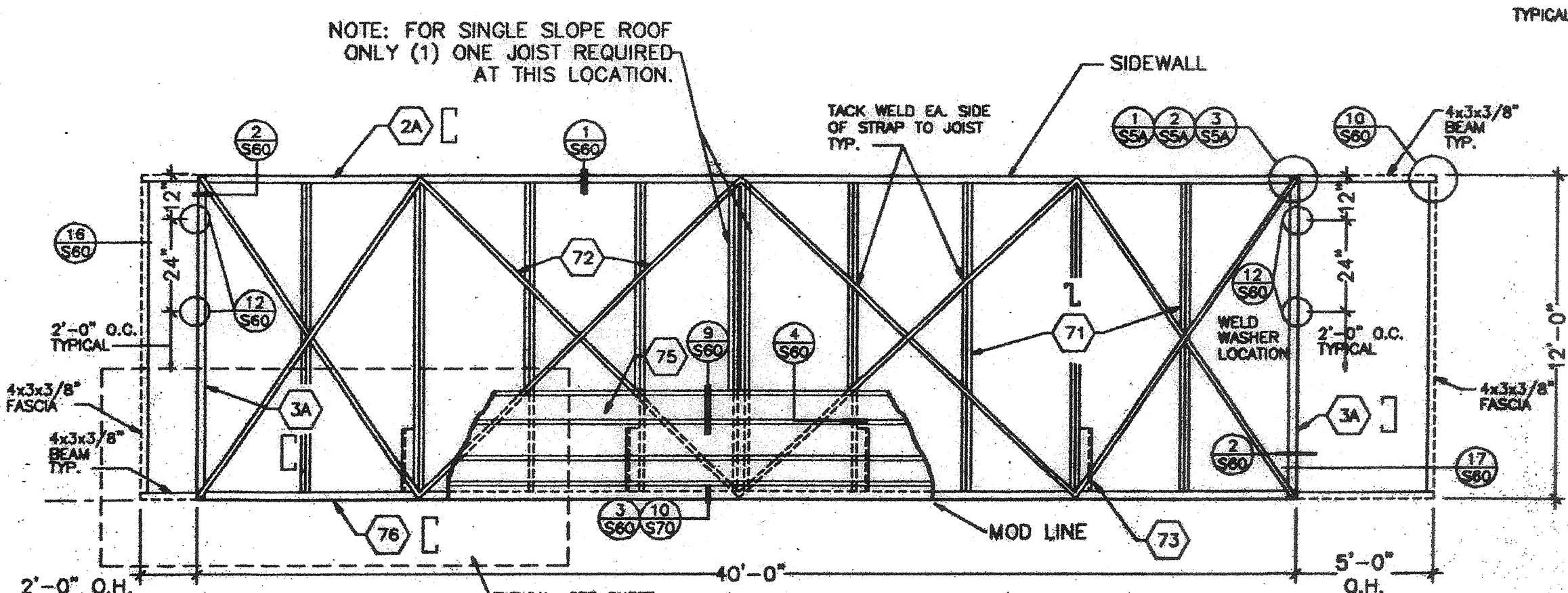
- 2 [12"x 20.7 lb STEEL ROOF BEAM FOR 20 PSF, [15 X 33.9 FOR 30 PSF R.L.L.
- 2A [18"x 18-23 X 3 1/2" X 10 Ga.
- 3 [12"x 20.7 lb STEEL ROOF HEADER
- 3A [18"x 3 1/2"x 12 Ga. RFC STEEL ROOF HEADER.
- 71 1 8"x 14 Ga. STEEL ROOF JOIST @ 48" O.C. FOR 20 PSF ROOF LL AND 32 O.C. FOR 30 PSF ROOF LL.
- 72 2"x 20 Ga. STRAPS W/ 3" MIN. 1/8" FILLET WELD EACH END TO ROOF BEAM/HEADER TYP.
- 73 1 1/2"x 1 1/2"x 3/16" BRACE
- 74 ROOF SHEATHING- 3/4" C-D EXPOSURE 1, 48/24 SPAN RATING, PS 1-83, APA RATED OR EQUAL, SQUARE EDGE W/ PLYWOOD CLIPS @ 18" O.C. LONG EDGES ON UNSUPPORTED EDGES; ATTACH TO STEEL FRAMING WITH #10-24 X 1 3/4" SELF TAP SCREWS @ 6" O.C. BOUNDARY & EDGES AND 12" O.C. FIELD.
- 75 22 GAGE GALVANIZED METAL ROOFING. SEE SHEET S-50 & S-60
- 76 16/21/16 STEEL TRUSS. SEE SHEET S-70
- 77 NYLON NETTING FOR INSULATION SUPPORT.



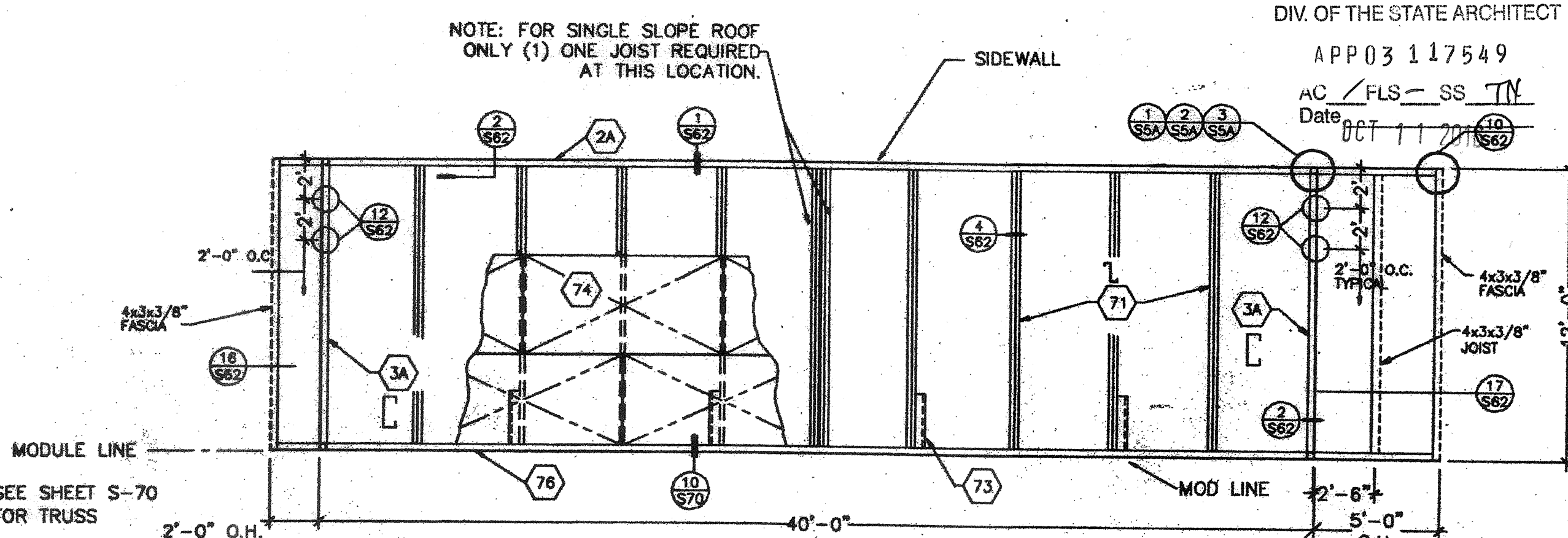
HOT ROLLED 'C' CHANNEL WITH 22 GA. METAL ROOF FRAMING PLAN (S-50)
METAL ROOF TO BE APPLIED PER APPROVED & LISTED MANUFACTURER'S INSTALLATION INSTRUCTIONS



HOT ROLLED 'C' CHANNEL WITH PLYWOOD ROOF FRAMING PLAN (S-52)
26 OR 30 GAGE BUILT UP ROOF TO BE APPLIED & LISTED PER MANUFACTURER'S INSTALLATION INSTRUCTIONS

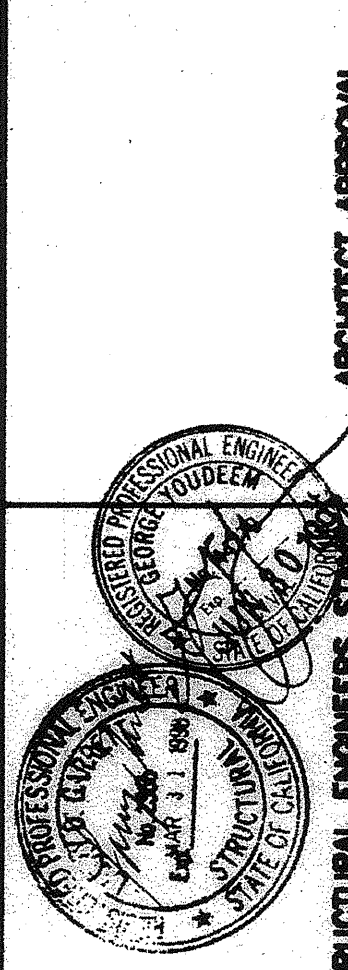


COLD ROLLED WITH 22 GA. METAL ROOF FRAMING PLAN (S-60)
METAL ROOF TO BE APPLIED PER APPROVED & LISTED MANUFACTURER'S INSTALLATION INSTRUCTIONS



COLD ROLLED WITH PLYWOOD ROOF FRAMING PLAN (S-62)
26 OR 30 GAGE BUILT UP ROOF TO BE APPLIED & LISTED PER MANUFACTURER'S INSTALLATION INSTRUCTIONS

THIS DRAWING AND THE MATERIAL CONTAINED THEREIN ARE THE PROPERTY OF MSI, INC. AND SHALL NOT BE REPRODUCED, COPIED, OR TRANSMITTED IN ANY MANNER OR BY ANY MEANS, ELECTRONIC OR MECHANICAL, INCLUDING PHOTOCOPYING, RECORDING, OR BY ANY INFORMATION STORAGE AND RETRIEVAL SYSTEM, WITHOUT THE WRITTEN CONSENT OF MSI, INC. ALL RIGHTS ARE RESERVED. MATERIAL CONTAINED HEREIN AND ORIGINATING WITH MSI, INC. SHALL BE THE PROPERTY OF MSI, INC.



MSI
MODULAR STRUCTURES INTERNATIONAL, INC.
17155 VON KARMAN SUITE # 108
IRVINE, CA 92614
TELEPHONE: (714) 263-5799
FAX: (714) 263-5795
A SUBSIDIARY OF REGENCY COMPANY, INC.

REGENCY ENGINEERING & CONSULTING GROUP
17155 VON KARMAN SUITE # 108
IRVINE, CA 92614
TELEPHONE: (714) 263-5799
FAX: (714) 263-5795
A SUBSIDIARY OF REGENCY COMPANY, INC.

STATE AGENCY APPROVAL
PROJECT
24'x40', 36'x40', & 48'x40'
MODULAR CLASSROOM BUILDING

STATE AGENCY APPROVAL
JOB # 96-1310
DATE 12/9/96
DRAWN BY B.N.
SCALE NONE
APPROVED

STATE AGENCY APPROVAL
REVISIONS
2/4/97
4/25/97
PLOT DATE 04/28/97
SHEET NO. S-40

ARCHITECT APPROVAL

STRUCTURAL ENGINEERS SEAL

STATE AGENCY APPROVAL
TITLE
GENERAL ROOF CONSTRUCTION LAYOUT

IDENTIFICATION STAMP
DIV. OF THE STATE ARCHITECT
APPO3 117549
AC / FLS - SS TN
Date OCT 11 1996

PC-323