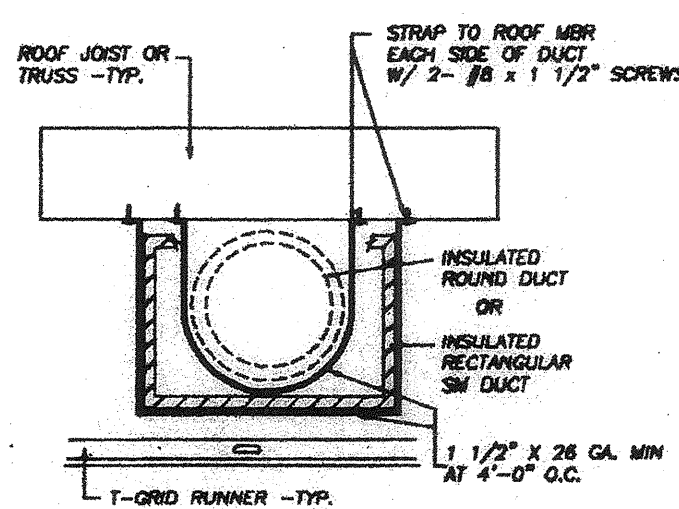
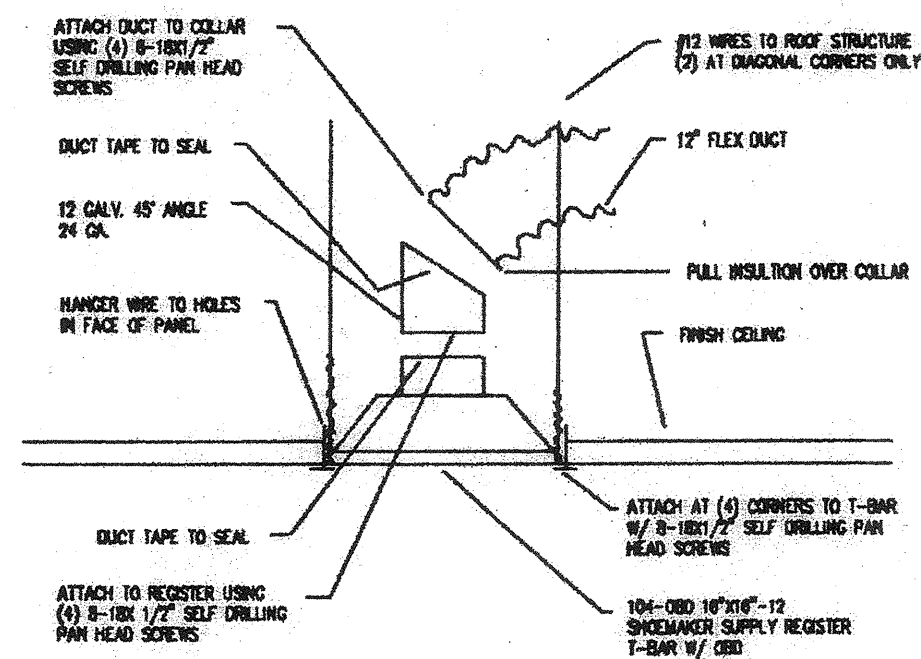


HVAC MOUNTING
SCALE: 3/4" = 1'-0"



DUCT MOUNTING
SCALE: 1" = 1'-0"



REGISTER BOX DETAIL
SCALE: 1/2" = 1'-0"

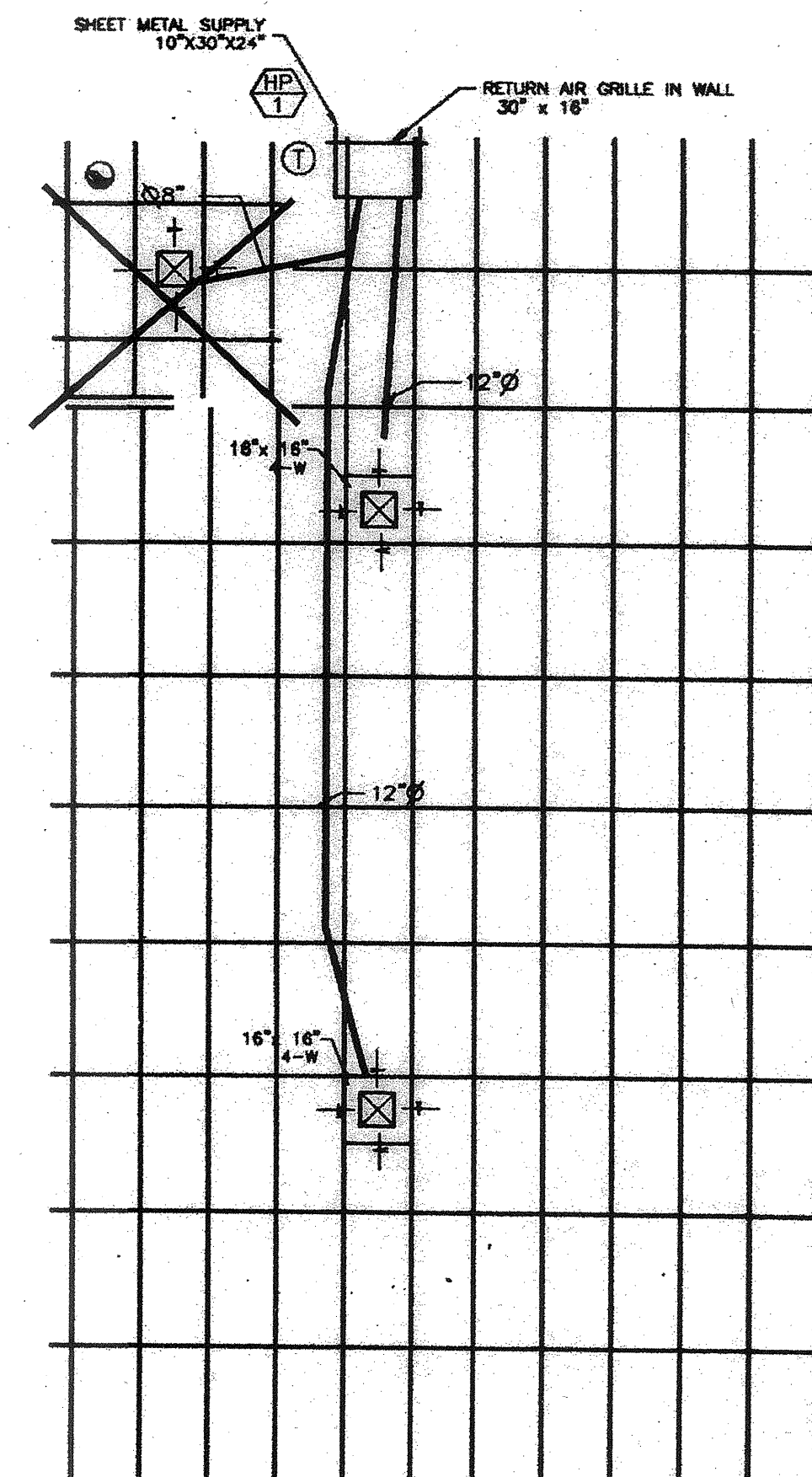
EQUIPMENT & MATERIAL SCHEDULE

HP T HEAT PUMP "BARD" WALLMOUNT, WH421-LA0BVX4, OR EQUIV.
41,500 NOM. BTUH COOLING CAPACITY
41,000 NOM. BTUH HEATING CAPACITY FROM COMPRESSOR
OR 27,300 NOM. BTUH HEATING CAPACITY FROM HEAT STRIP
BUT NOT BOTH
MCA 46, MOCOP 50, 1500 CFM @ .3 ESP, UNIT WEIGHT 510 LB.
230 VOLT, 60 CYCLE, SINGLE PHASE

INTERIOR DUCTWORK- FLEX DUCT W/ 1" INSULATION- CLASS 1 U.L.-181

LEGEND

- Ⓢ THERMOSTAT - WHITE ROGERS 1F92-71 MOUNT AT +48" A.F.F.
- ⊠ 16"x16" LAY-IN, 4-WAY OPPOSED BLADE SUPPLY AIR DIFFUSER (750 CFM)



MECHANICAL NOTES

ROUND FLEX DUCT SHALL BE "GLASS FLEX" ABL-181 OR EQUAL U.L. LISTED CLASS 1 FLEXIBLE DUCT WITH 13/16" THICK FIBERGLASS INSULATION, NON-PERFORATED LINER AND ADJUSTABLE SHEET METAL COLLARS.

THERMOSTAT PROGRAMMING TO BE PERFORMED AND BATTERY PROVIDED BY OTHERS ON SITE.
TEST AND BALANCE OF HVAC SYSTEM TO BE PROVIDED AND PERFORMED BY OTHERS ON SITE.

ALL HVAC EQUIPMENT LEAVES FACTORY WIRED FOR 240V. OPERATION. THE ACCEPTABLE OPERATING RANGE FOR THE 240 & 208 TAPS ARE:

TAP	RANGE
240	253-216
208	220-187

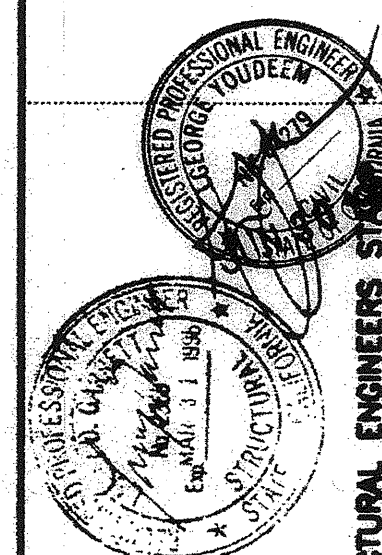
MECHANICAL PLAN

IDENTIFICATION STAMP
DIV. OF THE STATE ARCHITECT

APP03 117549
AC WLS MSS TN
Date OCT 11 2016

THIS DRAWING AND THE MATERIAL CONTAINED THEREIN ARE THE PROPERTY OF M.S.I. INC. AND SHALL NOT BE REPRODUCED, COPIED, OR OTHERWISE DISPOSED OF DIRECTLY OR INDIRECTLY AND SHALL NOT BE USED FOR ANY OTHER PROJECT WITHOUT THE WRITTEN CONSENT OF M.S.I. INC. ALL PATENTABLE AND WRITTEN CONSENT OF M.S.I. INC. ALL PATENTABLE MATERIAL CONTAINED HEREIN AND ORIGINATING WITH M.S.I. INC. SHALL BE THE PROPERTY OF M.S.I. INC.

ARCHITECT APPROVAL



STRUCTURAL ENGINEERS STATE OF MISSISSIPPI

MECHANICAL ENGINEERS STATE OF MISSISSIPPI

STATE AGENCY APPROVAL

PROJECT
24'X40' MODULAR CLASSROOM BUILDING

JOB # 96-1310

DATE 11/21/96

DRAWN BY

SCALE

APPROVED

REVISIONS

2/4/97

3/17/97 DSA REV

3/24/97 MSI REV

3/31/97 MSI REV

4/25/97 MSI REV

PLOT DATE: 04/28/97
SHEET NO.
M-1-24

MSI
MODULAR STRUCTURES INTERNATIONAL, INC.
1715 VON KARMAN, SUITE # 108
DALLAS, TEXAS 75243-1799
PHONE: (972) 748-3328 FAX: (972) 748-1828

REGENCY ENGINEERING & CONSULTING GROUP
1715 VON KARMAN, SUITE # 108
DALLAS, TEXAS 75243-1799
TELEPHONE: (714) 263-3799
FAX: (714) 263-3795
A SUBSIDIARY OF REGENCY COMPANY, INC.

MECHANICAL PLAN

TITLE

MECHANICAL PLAN

MECHANICAL PLAN

MECHANICAL PLAN

MECHANICAL PLAN

MECHANICAL PLAN

MECHANICAL PLAN

MECHANICAL PLAN

MECHANICAL PLAN

MECHANICAL PLAN

MECHANICAL PLAN

MECHANICAL PLAN

MECHANICAL PLAN