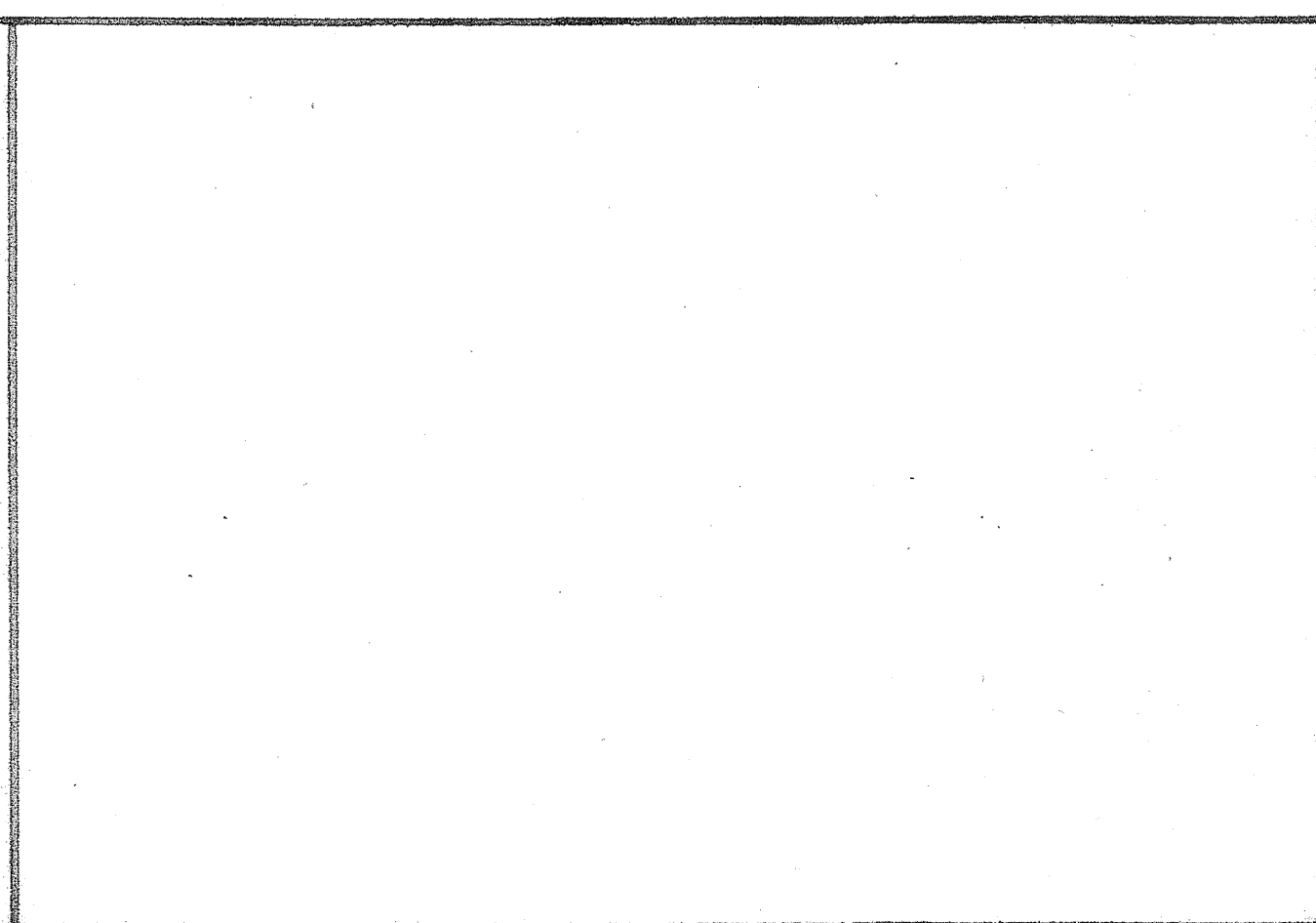
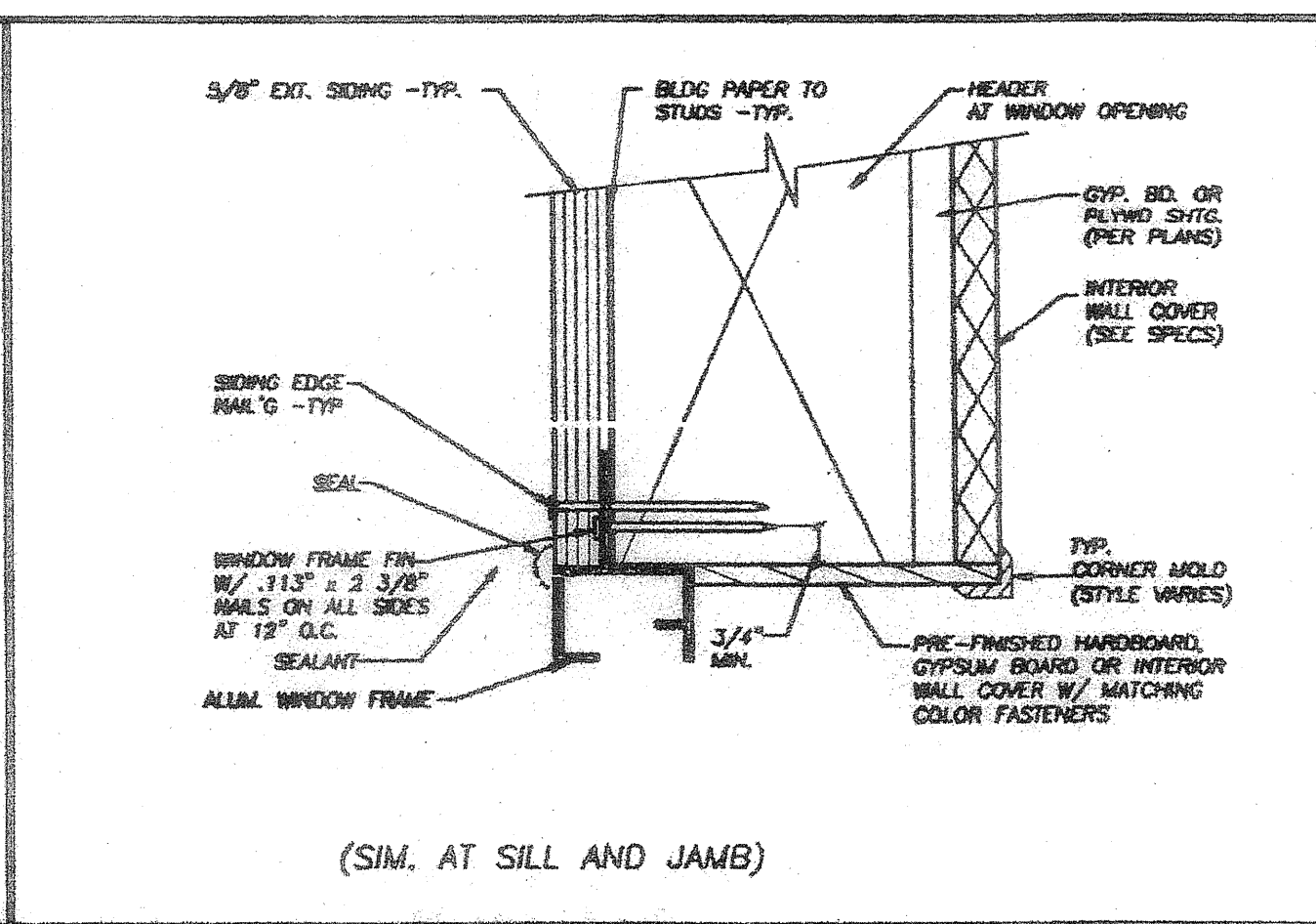


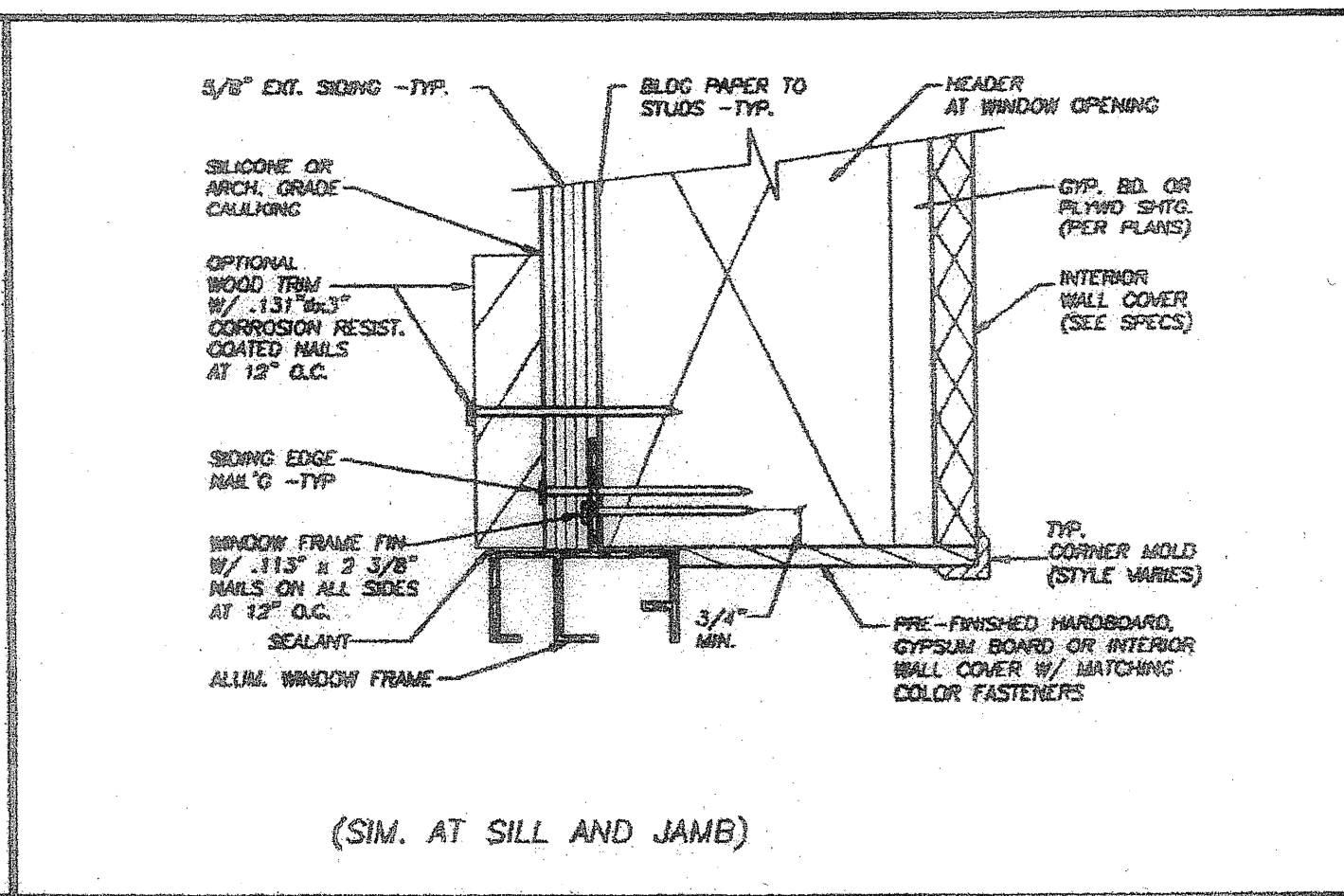
12



8



5 EXTERIOR WINDOW HEAD - TYP. SCALE: 6"=1'-0"



1 EXTERIOR WINDOW HEAD WITH TRIM - TYP. SCALE: 6"=1'-0"

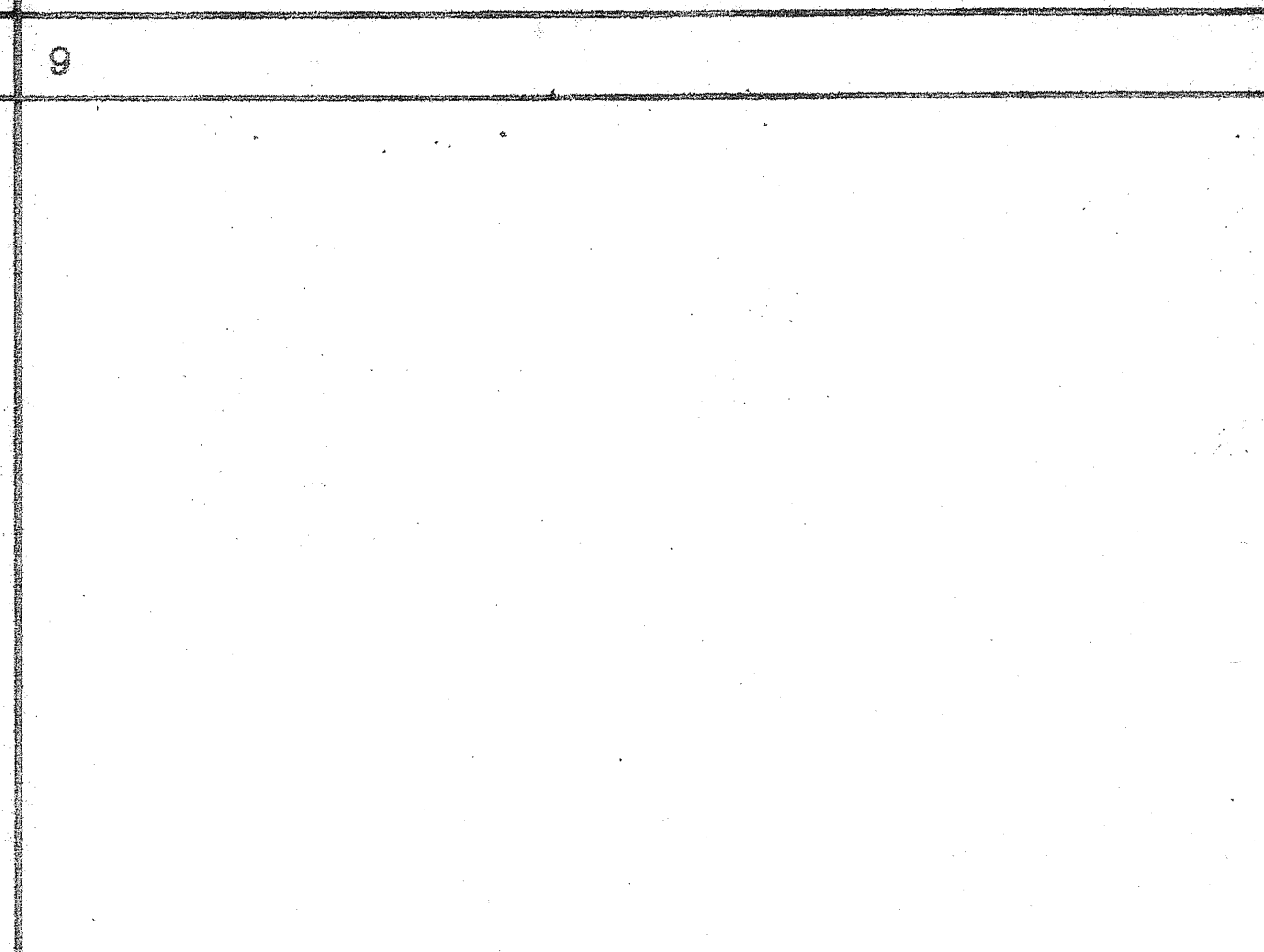
13

THIS DIAGRAM ILLUSTRATES THE SPECIFIC REQUIREMENTS OF THESE REGULATIONS AND IS INTENDED ONLY AS AN AID FOR BUILDING DESIGN AND CONSTRUCTION, NOT AS AN ILLUSTRATION OF A SPECIFIC THRESHOLD MODEL OR TYPE.

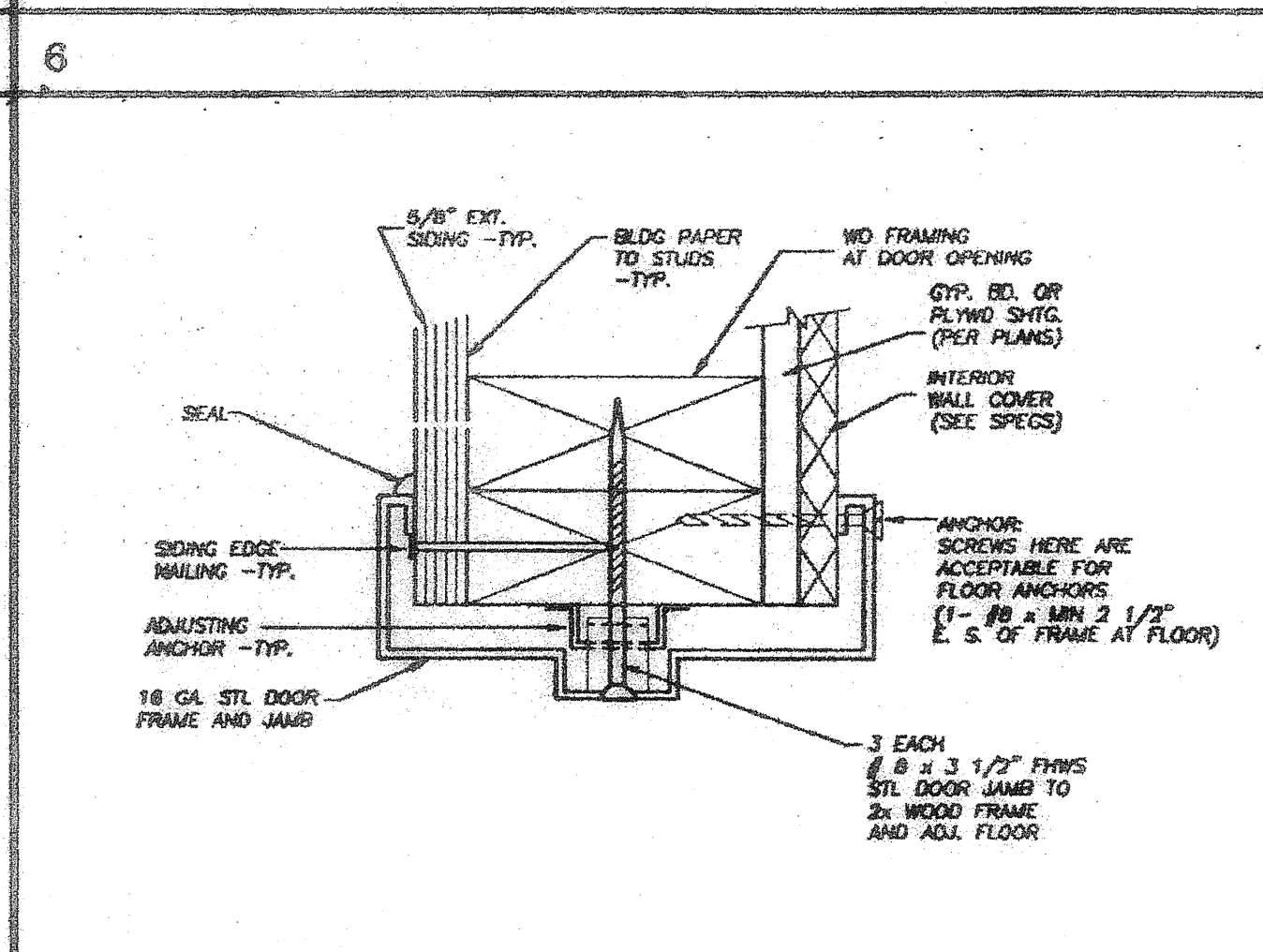
THRESHOLD - TYPICAL
 *ALL THRESHOLDS TO CONFORM TO DIMENSIONS IN FIGURE 33-5B

DOOR HARDWARE: EXIT DOORS SHALL BE OPERABLE FROM THE INSIDE WITHOUT THE USE OF A KEY OR ANY OTHER SPECIAL KNOWLEDGE OR EFFORT. LATCHING AND LOCKING DEVICES THAT ARE HAND-ACTIVATED AND WHICH ARE IN A PATH OF TRAVEL, SHALL BE OPERABLE WITH A SINGLE-EFFORT BY LEVER HARDWARE (NOT TO EXCEED 8.5 LBS. FOR EXTERIOR DOORS; 5 LBS. FOR INTERIOR DOORS). PAMIC BARS, PUSH-PULL ACTIVATING BARS, OR OTHER HARDWARE DESIGNED TO PROVIDE PASSAGE WITHOUT REQUIRING THE ABILITY TO GRASP THE OPENING HARDWARE.

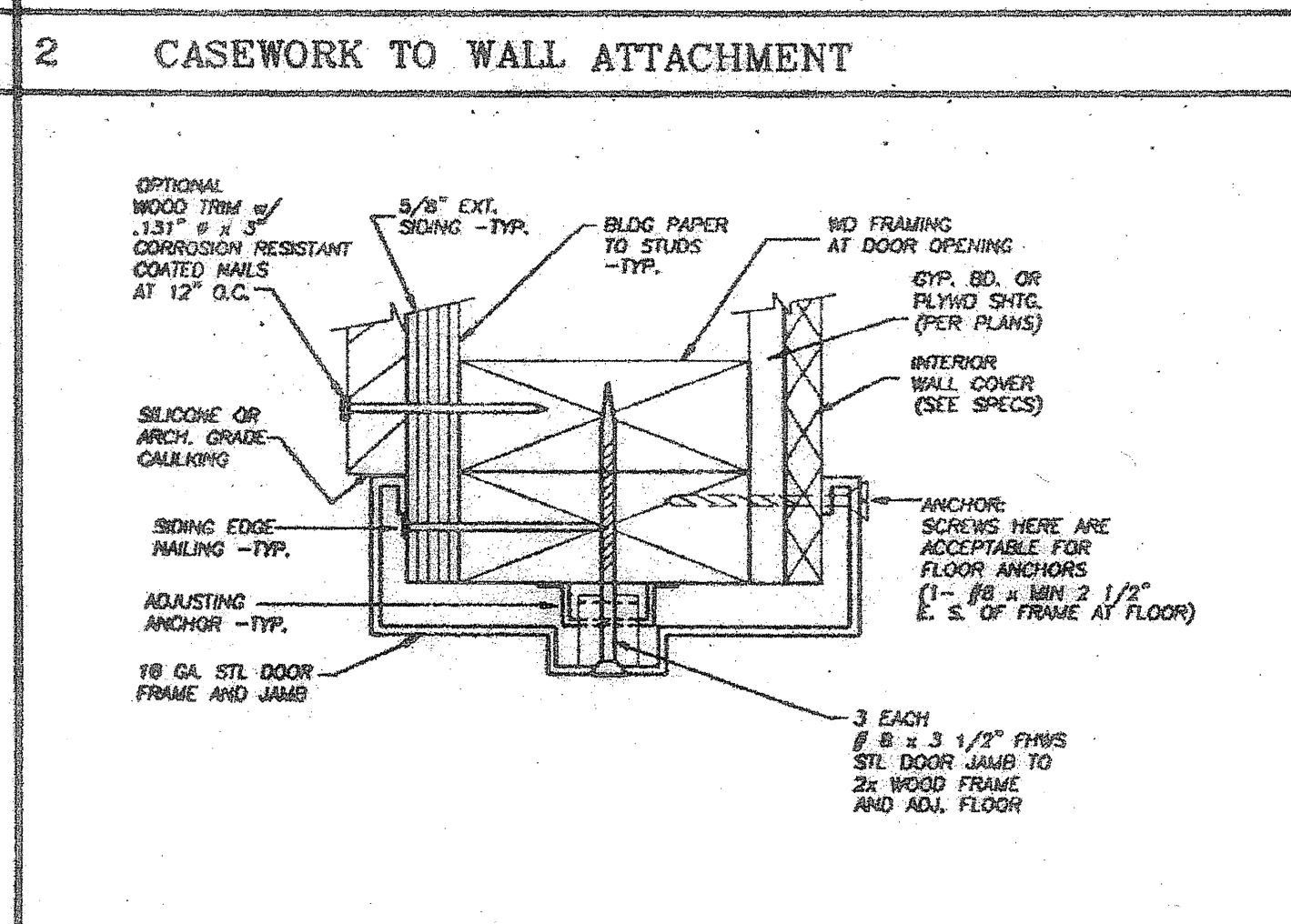
CALIFORNIA BUILDING CODE, SECTION 1004.3, 1004.4
 FOR HARDWARE, SEE SPECIFICATION SHEET.



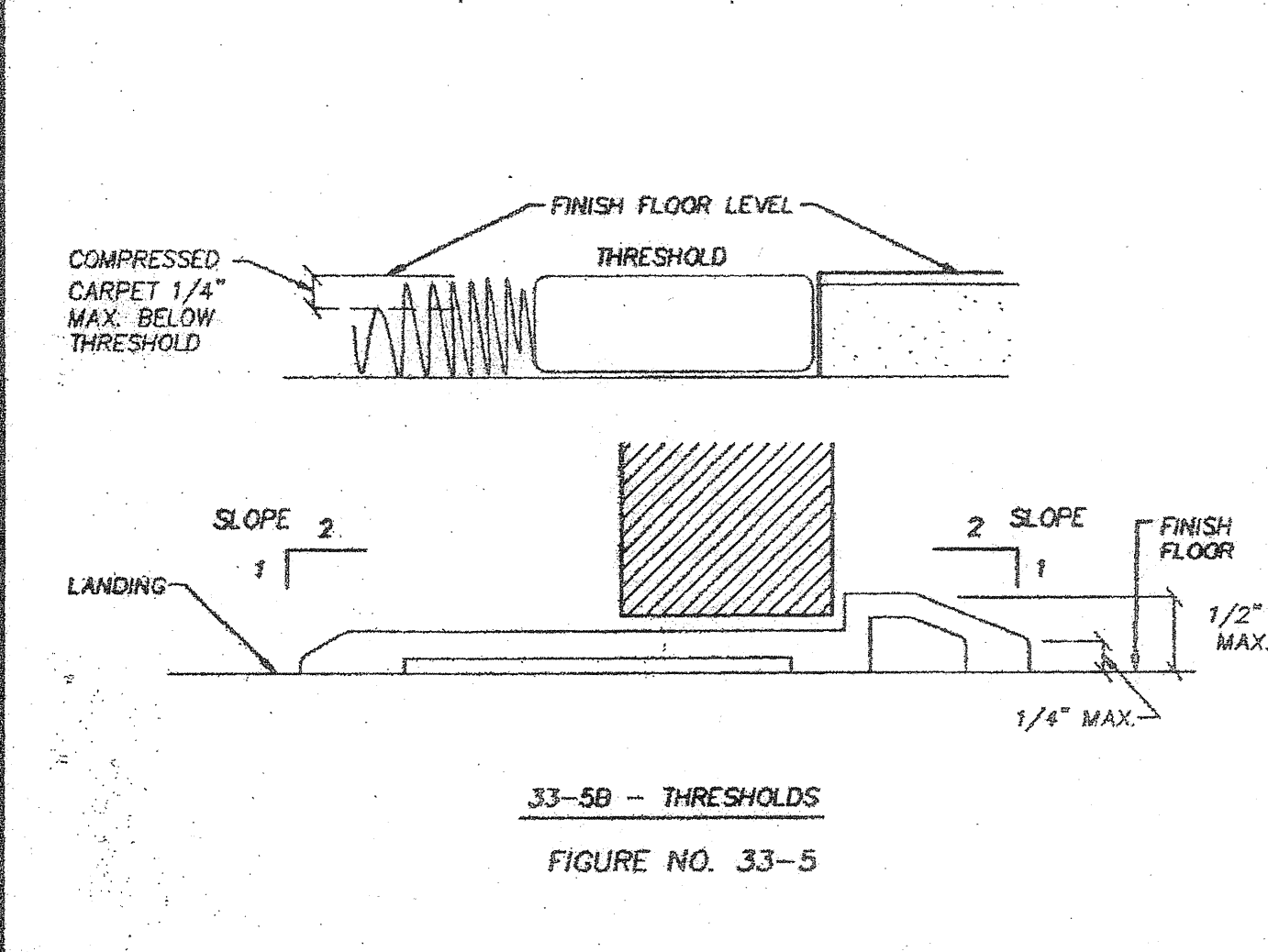
9



6 EXTERIOR DOOR JAMB METAL FRAME SCALE: 6"=1'-0"

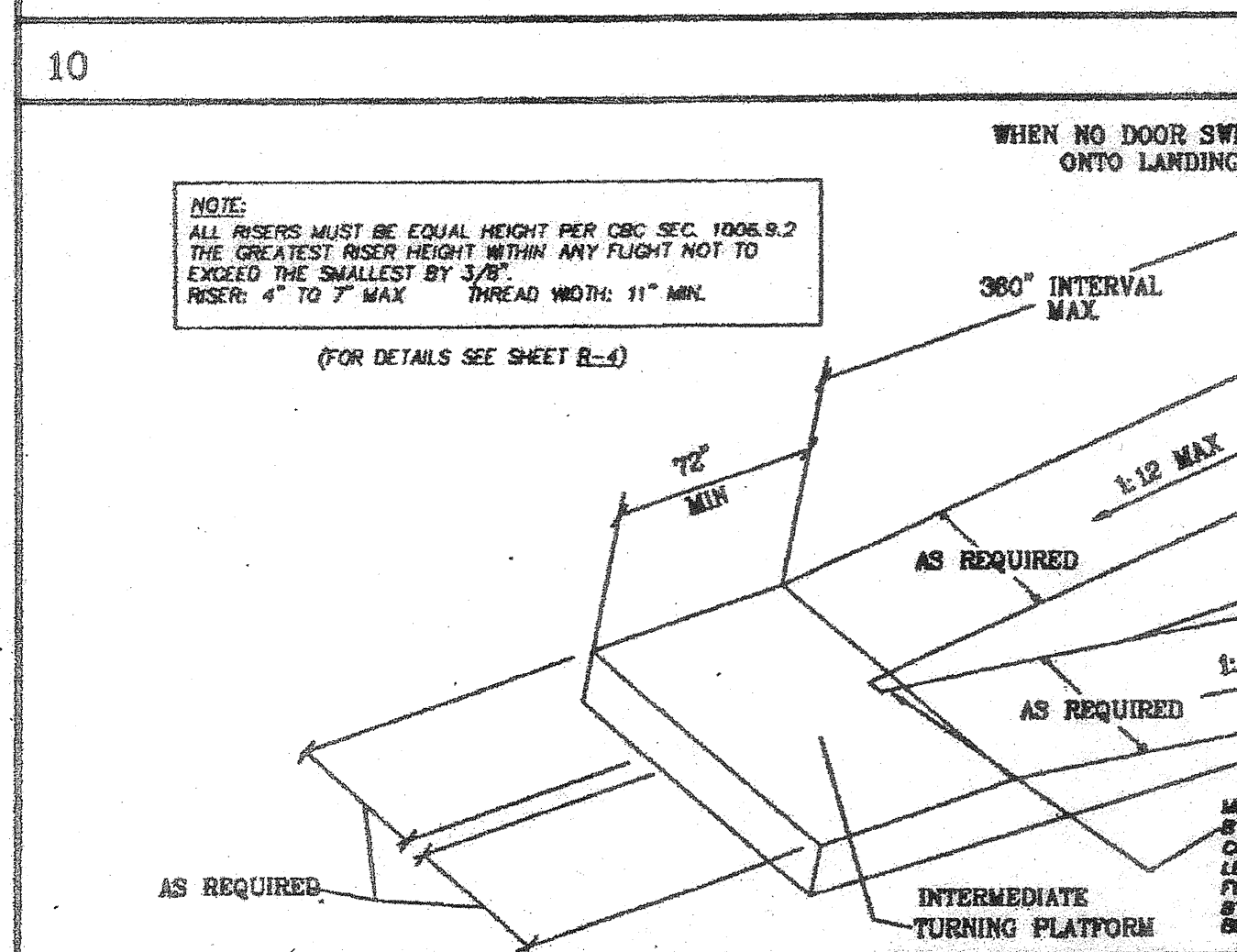


2 CASEWORK TO WALL ATTACHMENT

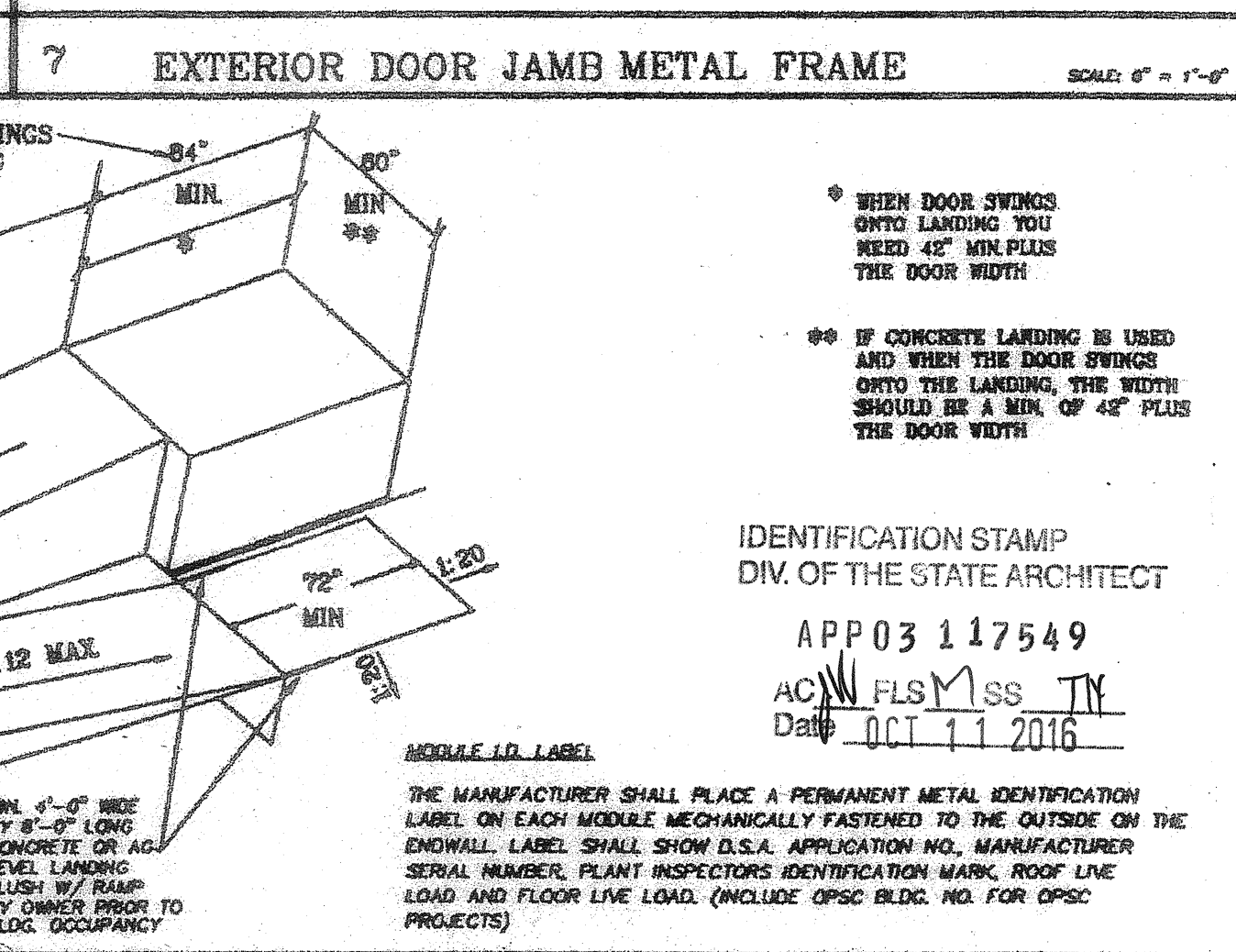


10

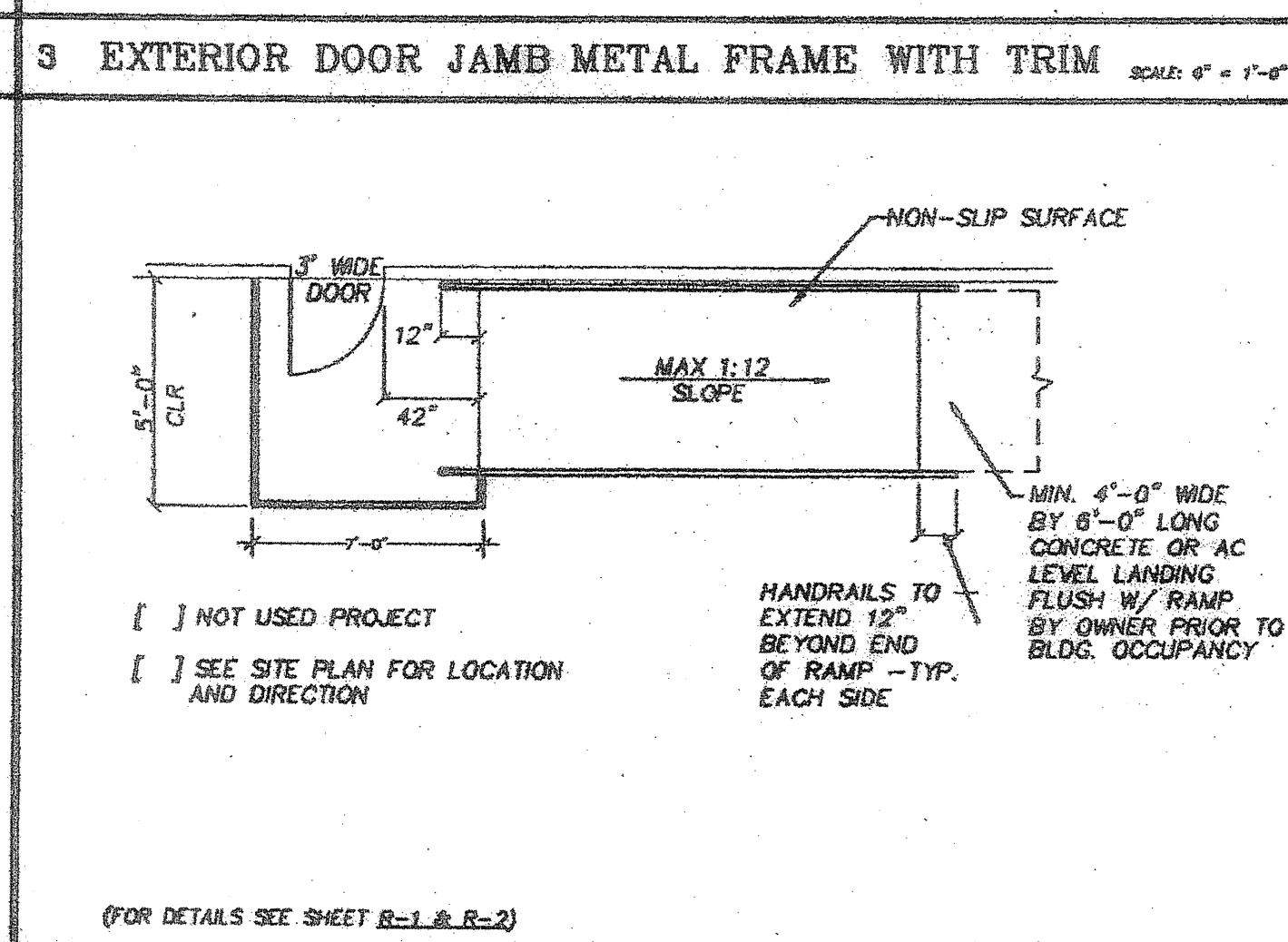
33-5B - THRESHOLDS
 FIGURE NO. 33-5



7 RAMP WITH INTERMEDIATE SWITCH-BACK PLATFORM



3 EXTERIOR DOOR JAMB METAL FRAME WITH TRIM SCALE: 6"=1'-0"



4 PORTABLE STEEL RAMP AND LANDING - TYPE "A"

THIS DRAWING AND THE MATERIAL CONTAINED THEREIN ARE THE PROPERTY OF MSI, INC. AND SHALL BE THE PROPERTY OF MSI, INC. IF REPRODUCED, COPIED, OR OTHERWISE DISSEMINATED WITHOUT THE WRITTEN CONSENT OF MSI, INC. ALL INFORMATION CONTAINED HEREIN IS UNCLASSIFIED EXCEPT WHERE SHOWN OTHERWISE.

ARCHITECT APPROVAL

STRUCTURAL ENGINEERS STAMP

STATE AGENCY APPROVAL

STATE AGENCY APPROVAL

PROJECT
 24'x40', 36'x40', & 48'x40'
 MODULAR CLASSROOM BUILDING

TITLE
 ARCHITECTURAL STANDARD DETAILS

JOB # 96-1310

DATE 12/9/96

DRAWN BY B.N.

SCALE NONE

APPROVED

REVISIONS
 2/4/97
 3/24/97 MSI REV.
 4/25/97 MSI REV.

PLOT DATE: 04/28/97

SHEET NO. G-3

MSI
 MODULAR STRUCTURES INTERNATIONAL, INC.
 880 ORANGE AVE. IRVINE, CALIFORNIA 92714
 PHONE (949) 768-3005 FAX (949) 768-1850

REGENCY ENGINEERING & CONSULTING GROUP
 17165 VON KARMAN SUITE # 108
 IRVINE, CA 92714
 PHONE (949) 261-8800 FAX (949) 261-8795
 A SUBSIDIARY OF REGENCY COMPANY, INC.

STATE AGENCY APPROVAL

STATE AGENCY APPROVAL

PC-323