

50 P.S.F. AND 50+20 P.S.F. FLOOR LIVE LOAD  
SOIL PRESSURE: 1000 PSF

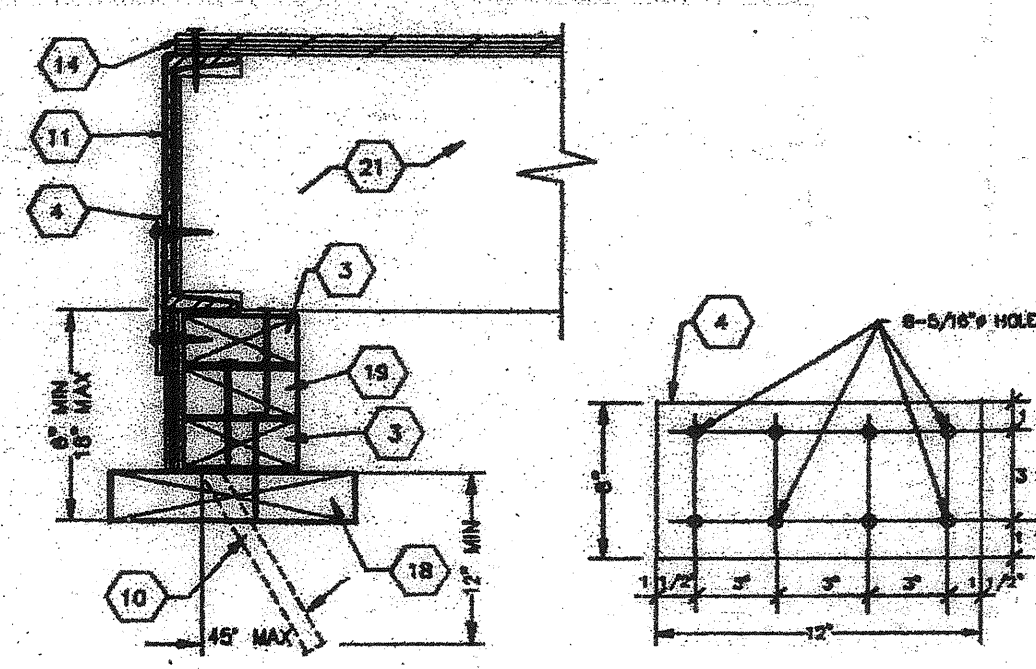
50 P.S.F. AND 50+20 P.S.F. FLOOR LIVE LOAD  
SOIL PRESSURE: 1000 PSF

1 MULTI-WIDE FOUNDATION PLAN

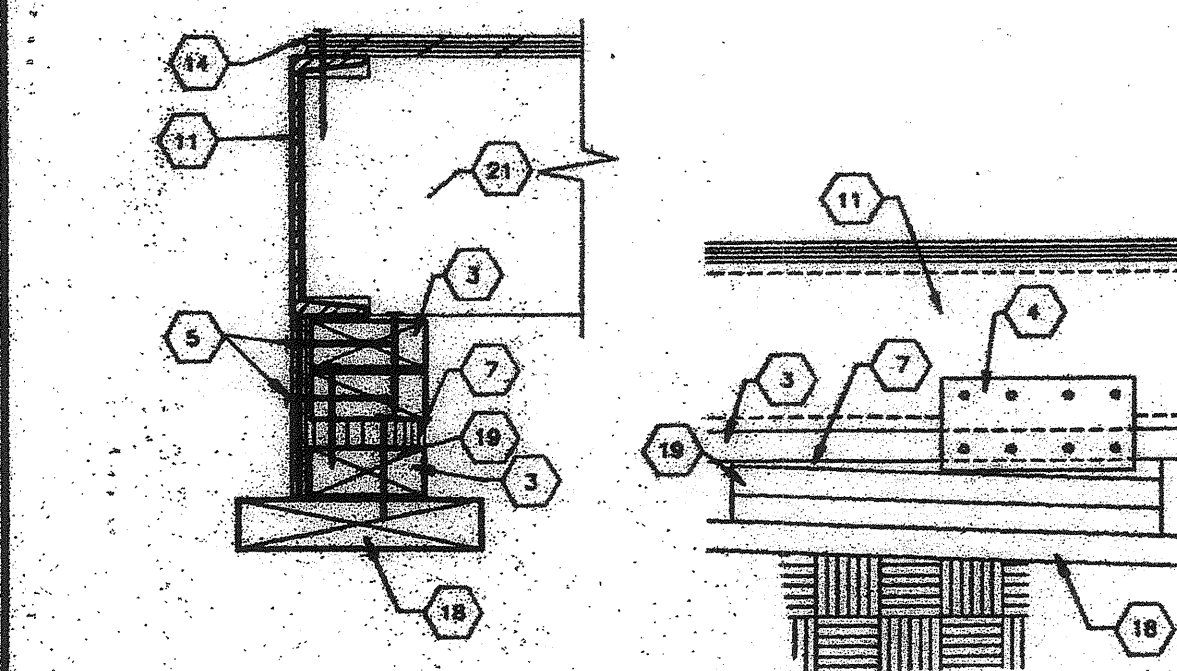
7 FOUNDATION PLAN @ ADJACENT BUILDING

**KEYNOTES**

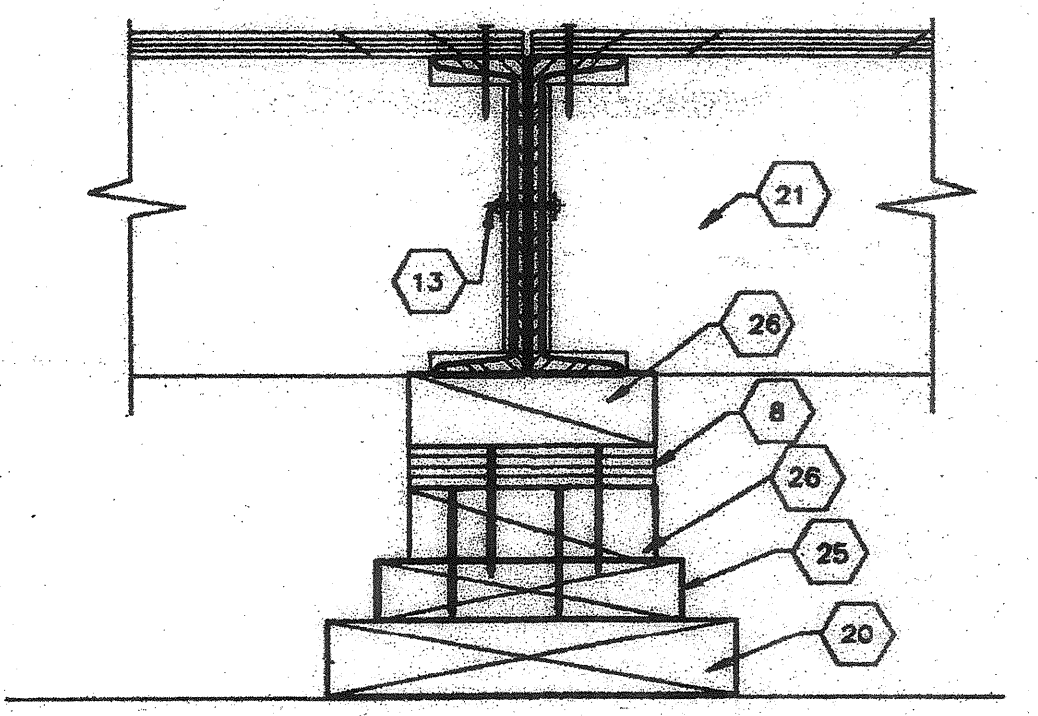
- 1 MAXIMUM SOIL BEARING PRESSURE - 1000 PSF.
- 2 ALL FOUNDATION LUMBER SHALL BE HT. #2 ALL LUMBER IN CONTACT WITH GRADE SHALL BE STAMPED FOR GROND CONTACT
- 3 ALL FOUNDATION WALLS SHALL BE CORROSION RESISTANT PER U.S.G. STANDARD ZS. 1717.
- 4 2x CONTINUOUS INTERNAL TO EACH PAD WITH 16d BOX NAILS @ 5" O.C. STAGGERED.
- 5 TIE PLATE - 12"x6"x10ga. PLATE W/ (6) 5/16" HOLES AS SHOWN FOR (4) 1/4"x 3/4" LONG SELF TAP SCREWS INTO CHANNEL & (4) 1/4"x 3" LAG BOLTS.
- 6 5/8" PLYWOOD PERIMETER SKIRTING, NAIL TO FOUNDATION PADS WITH 8d BOX NAILS @ 12" O.C. TOP AND BOTTOM.
- 7 NOT USED.
- 8 TAPERED SHIMS - NAIL TO FOUNDATION PADS WITH 16d BOX NAILS @ 12" O.C. NAIL 2x12 FOUNDATION PLATE TO TAPERED SHIMS WITH 16d BOX NAILS @ 12" O.C. STAGGERED ALONG EACH TAPERED SHIM.
- 9 PLYWOOD OR WOOD SHIM - MIN. 4" LONG MAX. 18" BETWEEN SHIMS. NAIL TO PLATES WITH MIN. (3) 16d BOX NAILS PER SHIM MAX. 1-1/2" SHIM HEIGHT AT ANY LOCATION.
- 10 1 1/2" HOLE IN FURLEN FOR 5/8" x 4" LAG BOLT AT 4'-0" O.C.
- 11 DRIVE 1" DIA. x 15' CL PIPE @ 10'-0" O.C. MAX. DRILL SILL PLATE 1-1/4" MAX. PIPE MAY BE DRIVEN AT MAX. 45 ANGLE TO VERTICAL.
- 12 STEEL FLOOR CHANNEL.
- 13 5/8" MACHINE BOLT @ MODULE CONNECTION.
- 14 PLYWOOD FLOOR DECK, ATTACH PLYWOOD FLOORING TO STEEL CHANNEL WITH #10 x 1 1/2 ST.S
- 15 PLYWOOD STRIP - 3/4" x 3" x 8" PIECE W/ (2) #12 x 2-1/4" FLAT HEAD WOOD SCREWS EACH END
- 16 NOT USED.
- 17 CONNECTIONS 2x10 P.T.H.F. SILL PLATE. PLATE SPLICES SHALL OCCUR AT CENTER OF 2x8 BLOCK LOCATION
- 18 2x8x 3'-0" LONG BLOCKS. NAIL BLOCKS TOGETHER WITH 16d BOX NAILS @ 4" O.C. AND (2) 16d NAILS AT EACH END.
- 19 CONTINUOUS 2x12 P.T.H.F. SILL PLATE. PLATE SPLICES SHALL OCCUR AT CENTER OF 2x8 BLOCK LOCATIONS.
- 20 FLOOR JOIST OR BLOCK BETWEEN FLOOR JOIST.
- 21 2x8x CONTINUOUS. NAIL BLOCK TO SILL PLATE W/16d BOX NAILS AT 4" O.C. AND (2) 16d NAILS AT EACH END.
- 22 CONTINUOUS 2x12(SEE PLAN). NAIL (2) 16d AT EACH END AND 12" O.C.
- 23 2x10x24" LONG SILL PADS. P.T.H.F. (SEE PLAN FOR QUANTITY 10 AT ENDS & 12 AT INTERIOR)
- 24 CONTINUOUS 2x8 H.F. PLATE. PLATE SPLICES SHALL OCCUR AT CENTER OF 2x8 BLOCK LOCATIONS.
- 25 2x8x3'-0" LONG BLOCKS. NAIL BLOCKS TOGETHER WITH 16d BOX NAILS @ 4" O.C. AND (2) 16d NAILS AT EACH END.



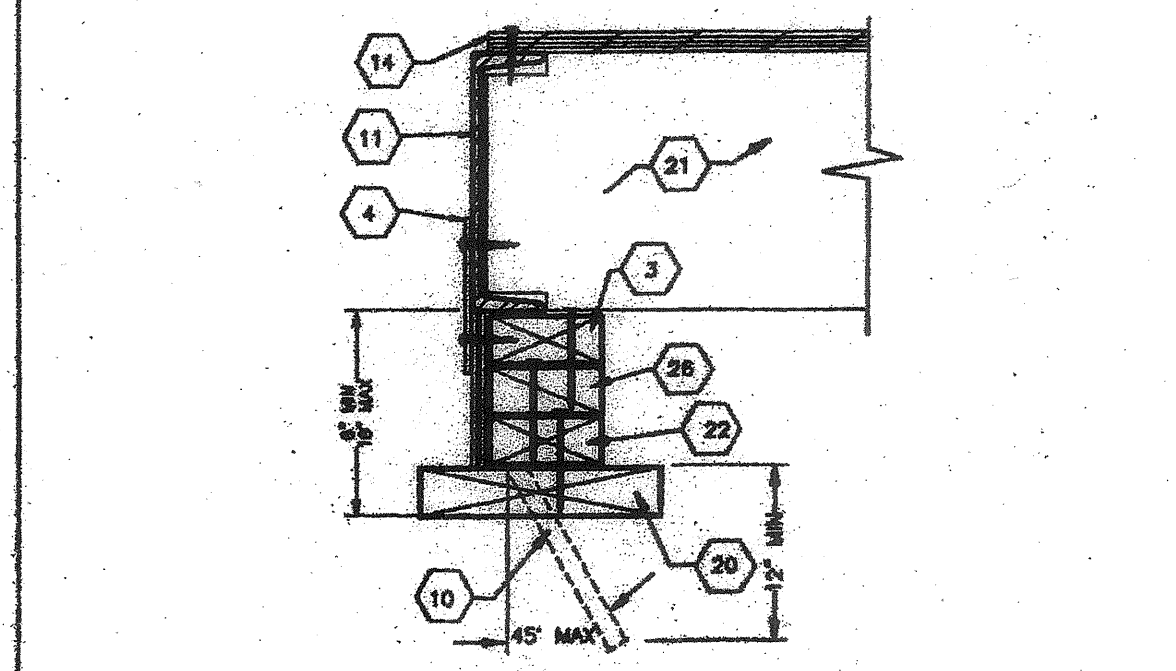
2 FOUNDATION AT SIDEWALL



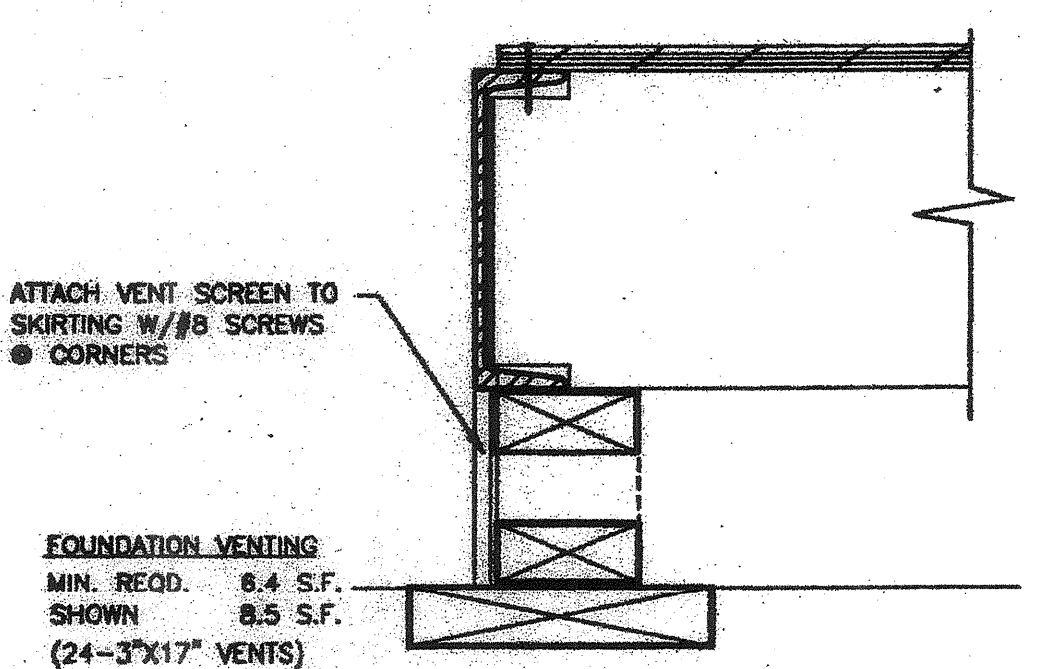
2 SHIMMING AND SKIRTING (SIDEWALL SHOWN)



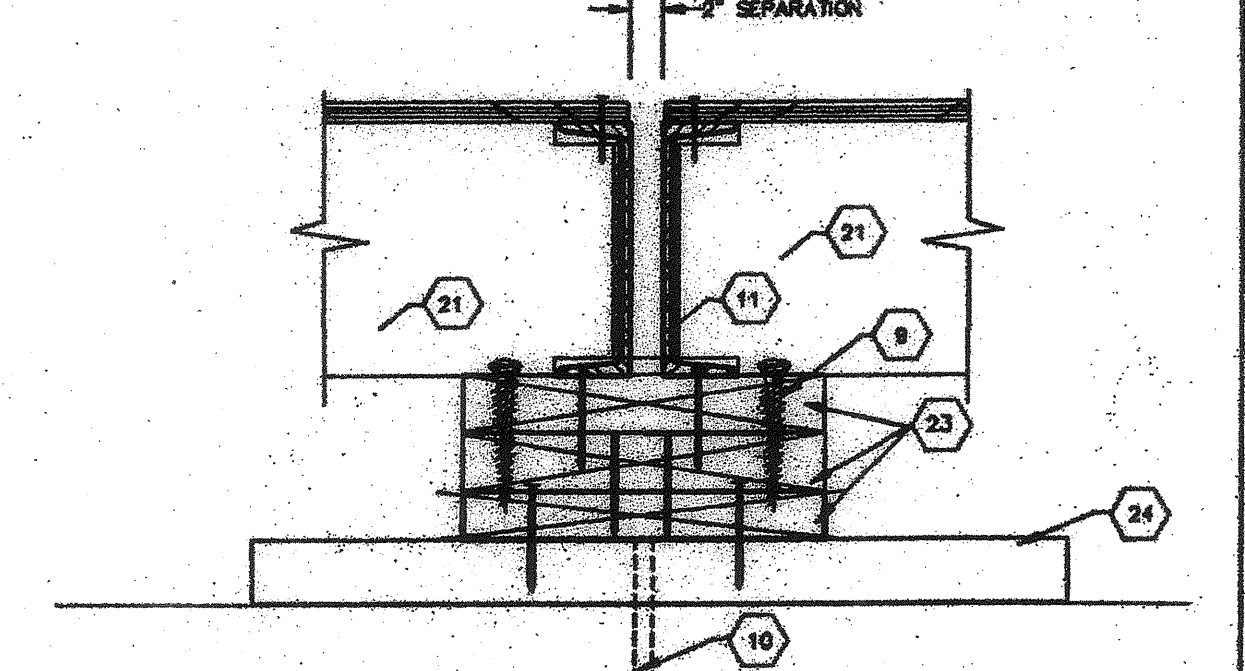
3 FOUNDATION AT MOD LINE



4 FOUNDATION AT ENDWALL



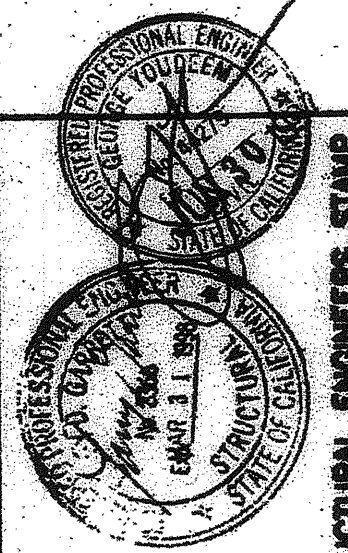
5 FOUNDATION VENTING



6 COMMON PAD

THE FINISH AND THE MATERIAL CONTAINED HEREIN IS THE PROPERTY OF MSI, INC. AND SHALL NOT BE REPRODUCED OR TRANSMITTED IN ANY FORM OR BY ANY MEANS, ELECTRONIC OR MECHANICAL, INCLUDING PHOTOCOPYING, RECORDING, OR BY ANY INFORMATION STORAGE AND RETRIEVAL SYSTEM. WITHOUT THE WRITTEN CONSENT OF MSI, INC. ALL WARRANTIES AND CONDITIONS, WHETHER EXPRESS OR IMPLIED, SHALL BE THE PROPERTY OF MSI, INC. AND SHALL BE LIMITED TO THE PRODUCT OF MSI, INC. MATERIAL CONTAINED HEREIN AND DRAWINGS AND NOT TO THE PROJECT OR THE PROJECTOR OF THE SAME. MSI, INC. SHALL BE THE PROJECTOR OF THE SAME.

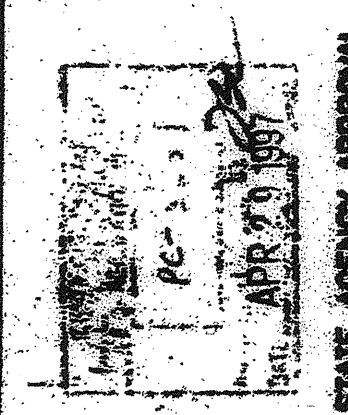
**MSI**  
MODULAR STRUCTURES INTERNATIONAL, INC.  
1000 W. 10th St., Suite 100  
Tulsa, Oklahoma 74106  
Phone: (918) 744-1000 Fax: (918) 744-1001



ARCHITECT APPROVAL  
STRUCTURAL ENGINEERS STAMP  
FREQUENCY ENGINEERING & CONSULTING GROUP  
2700 W. KANAWA, SUITE # 108  
TULSA, OKLAHOMA 74114  
PHONE: (918) 486-0789  
FAX: (918) 486-0790  
A SUBSIDIARY OF FREQUENCY COMPANY, INC.

STATE AGENCY APPROVAL  
PROJECT: 24'x40', 36'x40', & 48'x40' MODULAR CLASSROOM BUILDING  
TITLE: WOOD FOUNDATION

STATE AGENCY APPROVAL	JOB #	96-1310
STATE AGENCY APPROVAL	DATE	12/9/96
STATE AGENCY APPROVAL	DRAWN BY	B.N.
STATE AGENCY APPROVAL	SCALE	NONE
STATE AGENCY APPROVAL	APPROVED	
STATE AGENCY APPROVAL	REVISIONS	
STATE AGENCY APPROVAL		Δ 4/1/97
STATE AGENCY APPROVAL		Δ 4/25/97



STATE AGENCY APPROVAL  
IDENTIFICATION STAMP  
DIV. OF THE STATE ARCHITECT  
AP03 117549  
AC/FLS - SS  
Date OCT 11 2016  
PLOT DATE: 04/28/97  
SHEET NO  
F-1