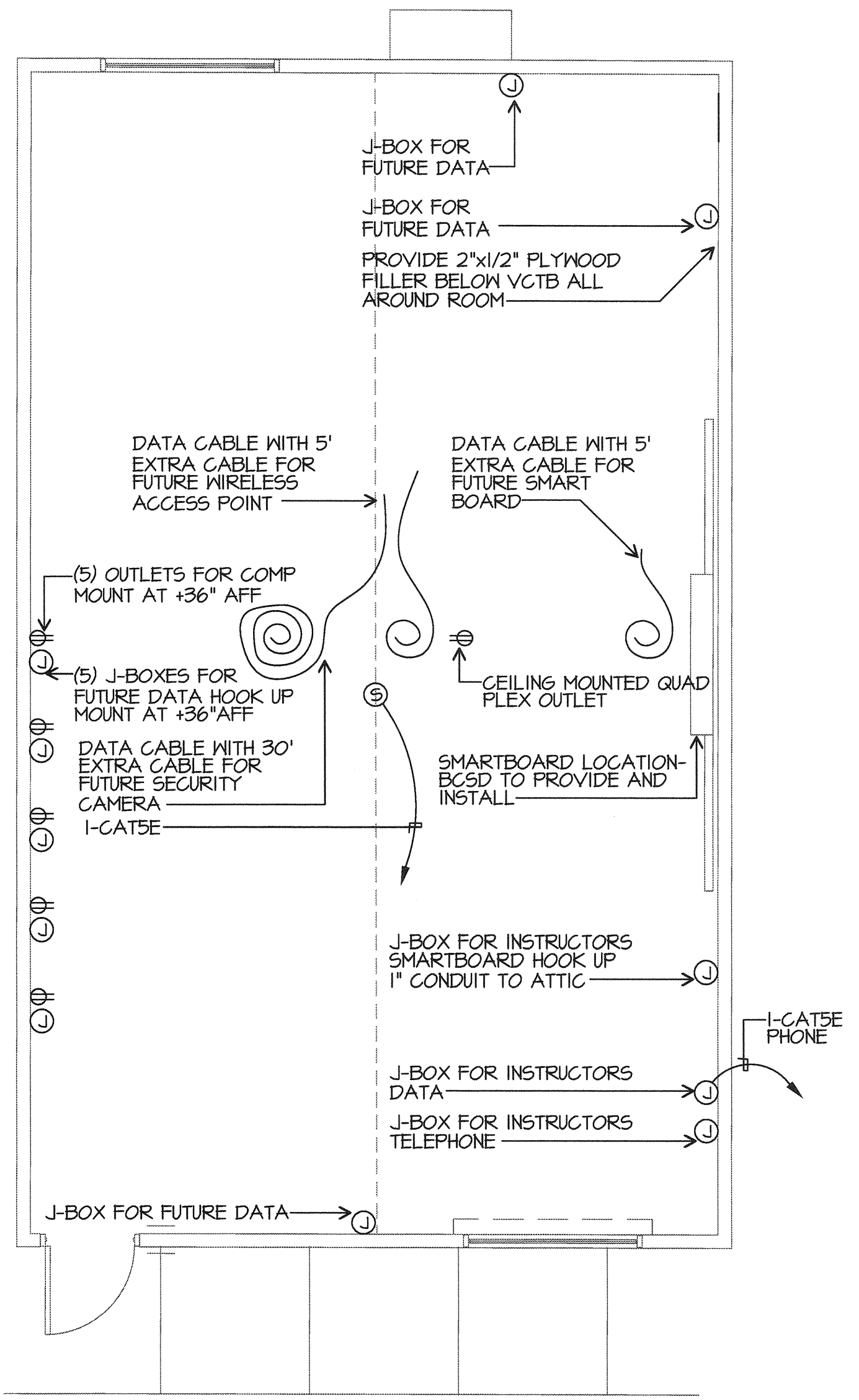
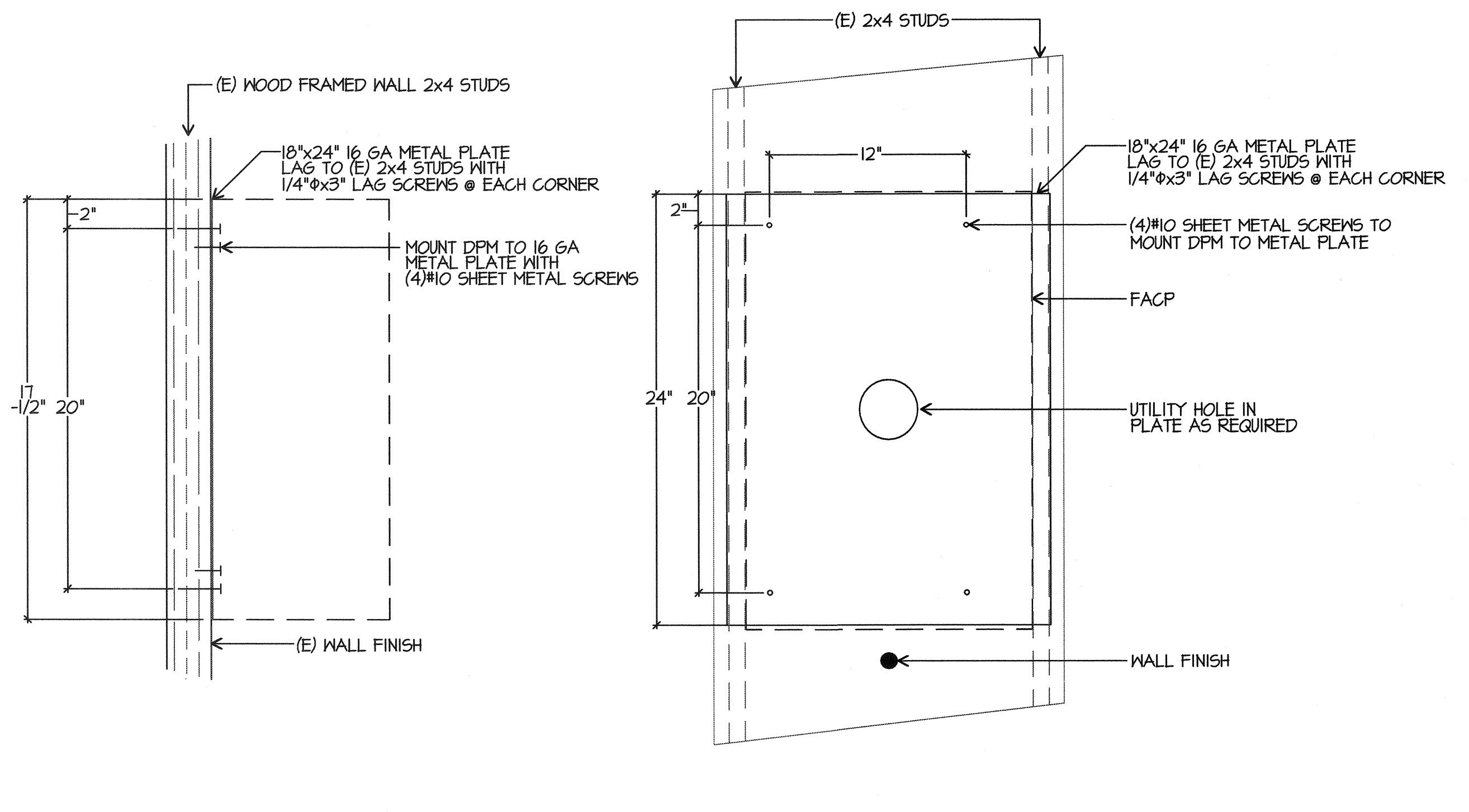


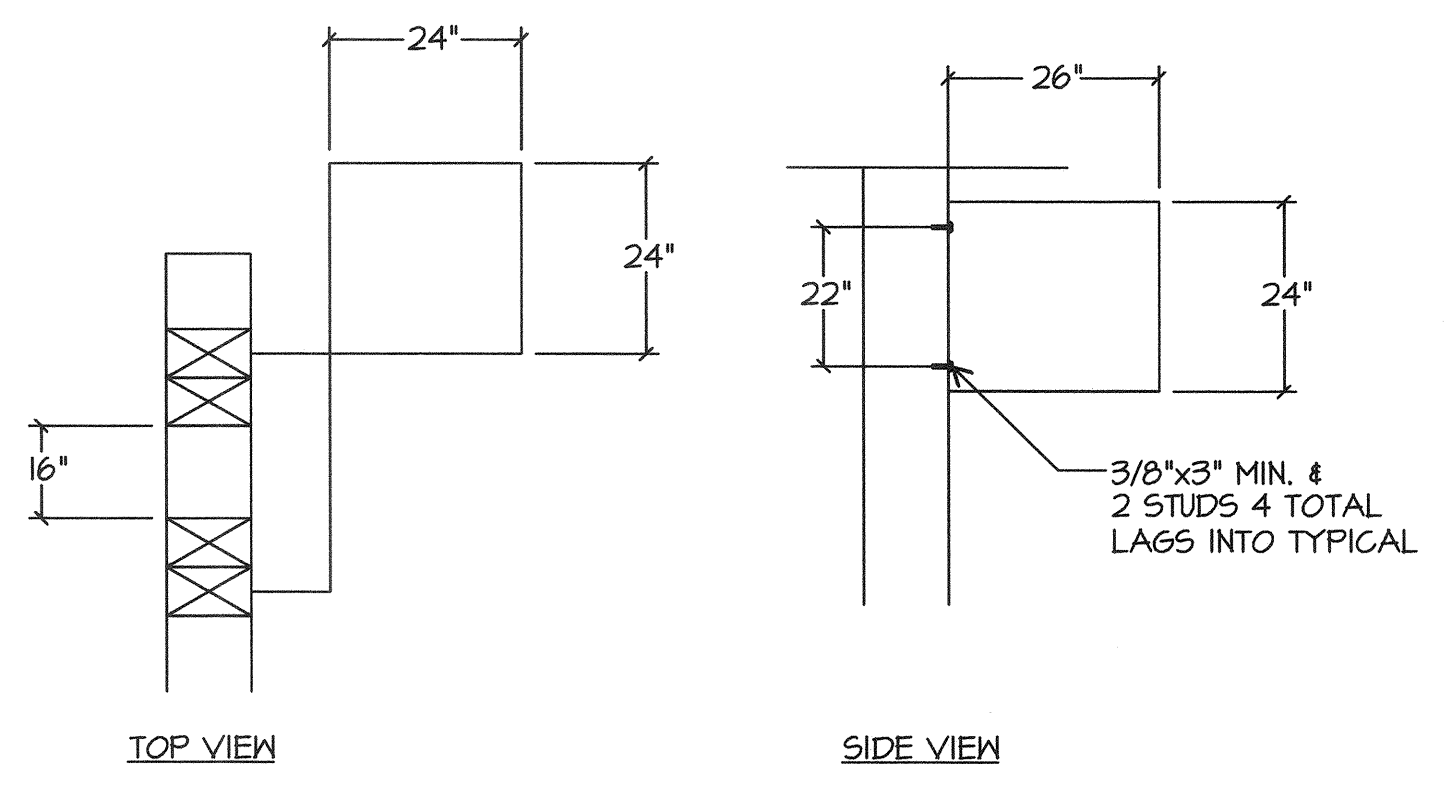
COORDINATE WORK INSIDE CLASSROOM WITH DISTRICT I.T. DEPARTMENT



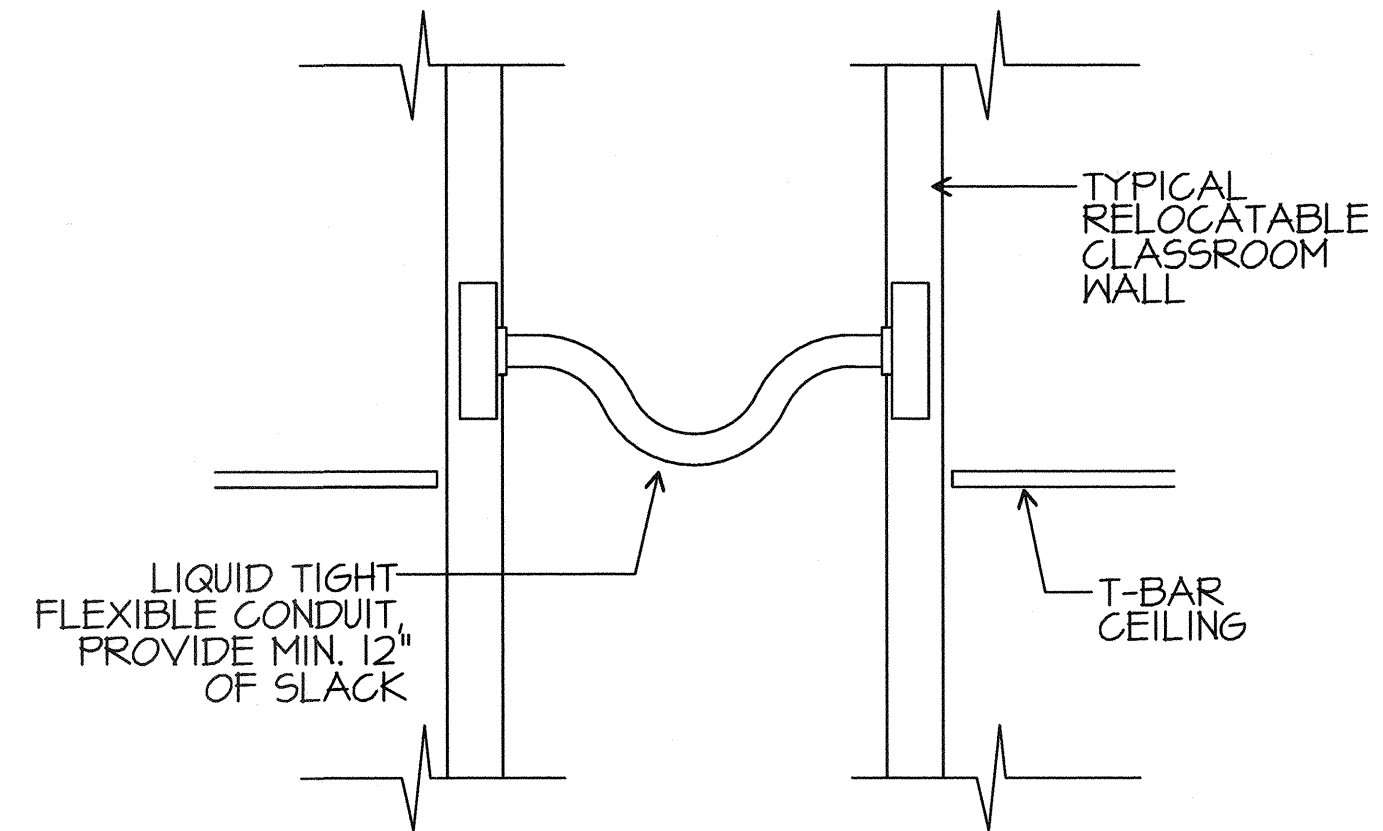
TYPICAL PERMANENT PORTABLE CLASSROOM  
SCALE: 1/4"=1'-0"



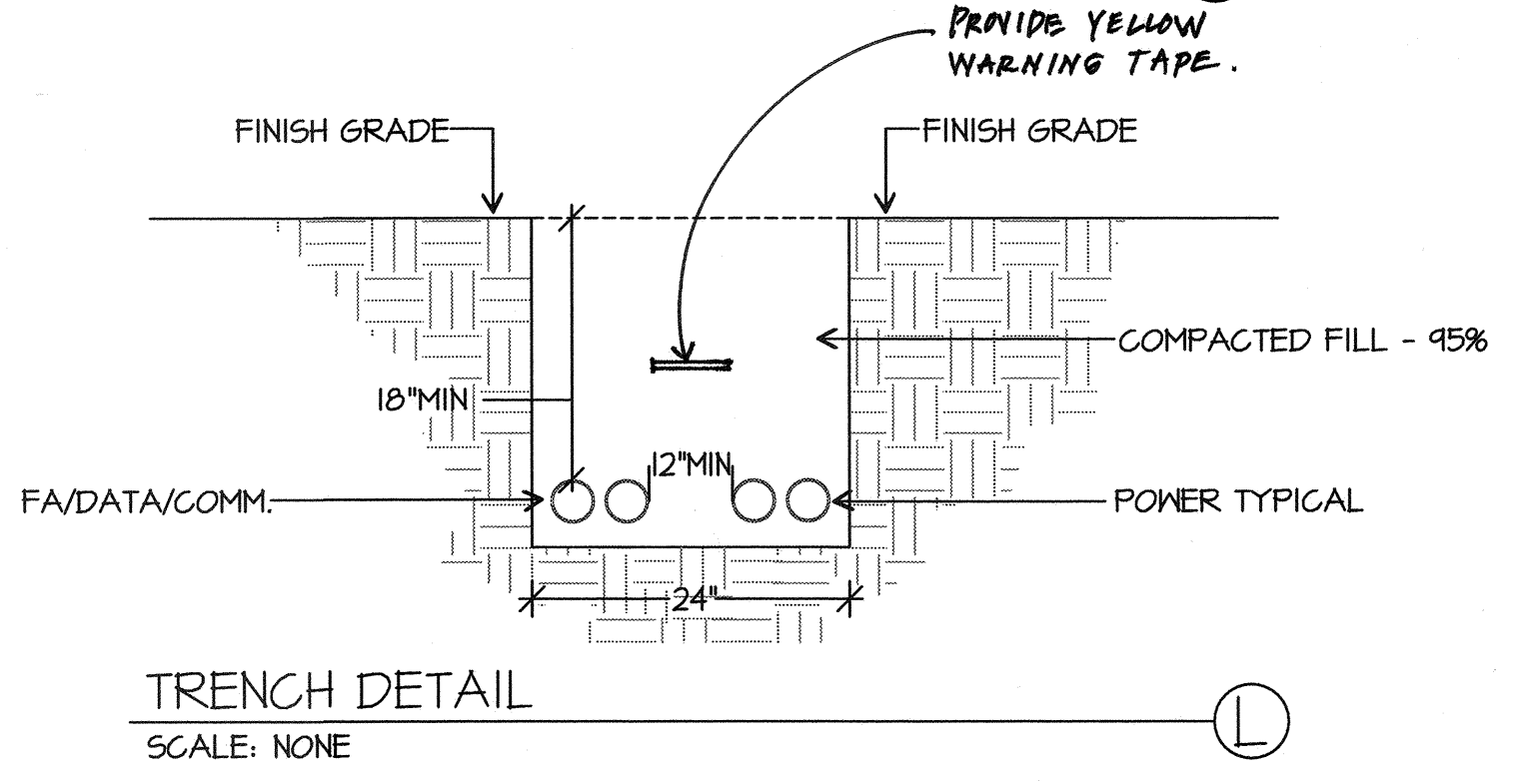
DPM ATTACHMENT MOUNTING DETAIL, WOOD  
SCALE: NONE



IDF ATTACHMENT DETAIL  
SCALE: NONE



FLEXIBLE CONDUIT DETAIL  
SCALE: NO SCALE



TRENCH DETAIL  
SCALE: NONE

PRIME CONSULTANT  
**IBI** ARCHITECTURE PLANNING  
San Luis Obispo  
4115 Broad Street, Suite B-6  
San Luis Obispo, CA 93401  
805.546.0433 fax:805.546.0504



COPYRIGHT: Any reproduction or distribution for any purpose other than authorized by IBI Group is forbidden.  
COPYRIGHT 2014 IBI GROUP

REVISIONS			
NO.	DATE	APPRD.	DESCRIPTION

CONSULTANT  
**JMPE**  
ELECTRICAL ENGINEERING  
LIGHTING DESIGN  
CA REGISTRATION NO. E130883  
16217  
5500 KING AVENUE,  
SUITE 200  
BAKERSFIELD, CA 93309  
(805) 831-7801  
FAX (805) 831-7813  
email: maloney@jmpe.net  
www.jmpe.net

AGENCY INFORMATION:  
AGENCY TRACKING NO. 63321-243  
FILE NO. 15-6  
IDENTIFICATION STAMP  
DIV. OF THE STATE ARCHITECT  
OFFICE OF REGULATION SERVICES  
03-117549  
AG. W. FLS. M. SS. TN  
DATE: OCT 11 2016

BAKERSFIELD CITY SCHOOL DISTRICT  
  
**CHIPMAN JR. HIGH NEW RELOCATABLES (3)**  
2905 EISSLER ST  
BAKERSFIELD, CA 93306

OPSC or OSHPD PROJ. NO:	
PROJECT NO:	16166.000
DRAWN BY:	AC
CHK'D BY:	KT
ISSUE DATE:	10/05/2016
SHEET TITLE	

DETAILS

SHEET NUMBER  
**E-0.3**