

N/PANEL R-12												
SERVICE: 120/208V 1Ø 3W			MAIN BKR: 100 AMP			BUS: 100 A			LOC.: SEE PLAN			
SQ. D LOAD CENTER 16 CIRCUIT						MTG.: FLUSH						
REMARKS	LOAD			LOAD			LOAD			REMARKS		
	ΦA	ΦB	ΦC	ΦA	ΦB	ΦC	ΦA	ΦB	ΦC			
RECEPTACLES												
				1	20	1						
				2	20	1						
				3	20	1						
				4	20	1						
				5	20	1						
				6	20	1						
				7	20	1						
SPACE				8	20	1						
				9	20	1						
				10	20	1						
				11								
				12								
				13								
				14								
				15								
				16								
				17								
				18								
				19								
				20								
				21								
				22								
				23								
				24								
				25								
				26								
				27								
				28								
				29								
				30								
				31								
				32								
				33								
				34								
				35								
				36								
				37								
				38								
				39								
				40								
				41								
				42								
TOTAL WATTS=	Φ A=			Φ B=			Φ C=					
AMPS=				MINIMUM BKR. A I.C. RATING= 10,000 AMPS SYM								

* PROVIDE NEW 20A BREAKER WITH RED HANDLE AND LOCK ON DEVICE

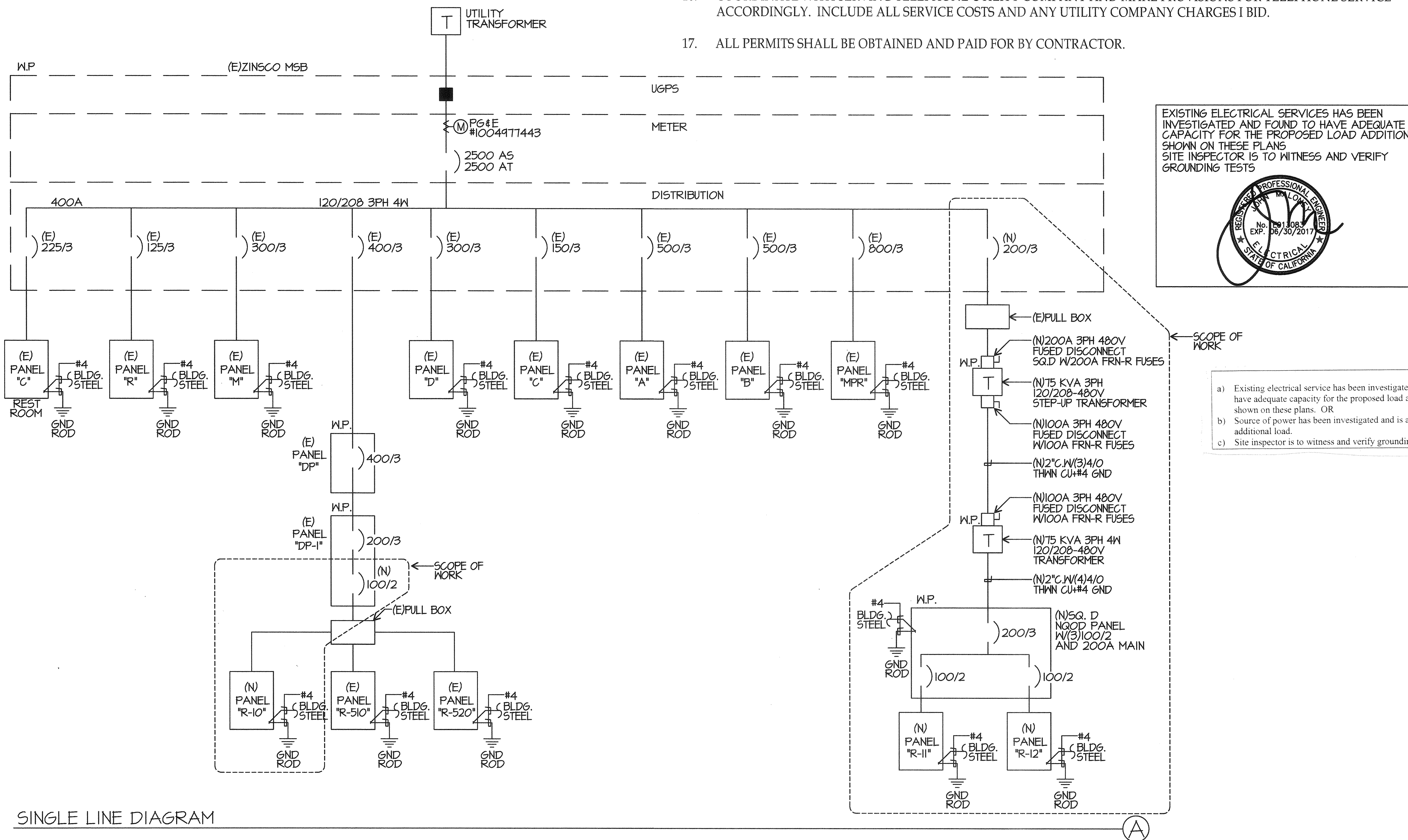
GENERAL NOTES

1. VISIT JOB SITE AND VERIFY EXISTING CONDITIONS PRIOR TO BID.
2. THE ELECTRICAL WORK SHALL BE INSTALLED IN ACCORDANCE WITH THE CALIFORNIA ELECTRICAL CODE AND ALL APPLICABLE LOCAL ORDINANCES. WHERE PLANS CALL FOR A HIGHER STANDARD THAN APPLICABLE CODES, THE PLANS SHALL GOVERN.
3. CONDUIT RUNS ARE SHOWN DIAGRAMMATICALLY. EXACT LOCATIONS SHALL BE DETERMINED IN THE FIELD TO SUIT FIELD CONDITIONS.
4. ALL ELECTRICAL EQUIPMENT, APPLIANCES AND LIGHTING FIXTURES SHALL BE LISTED BY A RECOGNIZED TEST LAB AND BEAR THAT LABEL OF APPROVAL.
5. CONTRACTOR SHALL FURNISH, INSTALL AND CONNECT ALL MATERIAL AND EQUIPMENT FOR THIS WORK UNLESS OTHERWISE NOTED.
6. FURNISH DISCONNECT SWITCHES AT REMOTE MOTORS.
7. ALL SPACES AS INDICATED ON PANELS OR SWITCHBOARD SHALL BE COMPLETE WITH HARDWARE AND BUSSING FOR FUTURE BREAKER OR SWITCH.
8. CHECK ARCHITECTURAL PLANS FOR DOOR SWINGS BEFORE INSTALLING SWITCH OUTLETS.
9. GROUNDING AND BONDING SHALL BE PER CODE PLUS ANY ADDITIONAL PROVISIONS SPECIFIED OR SHOWN ON DRAWINGS.
10. ALL CONDUIT RUNS SHALL CONTAIN A CODE SIZED GROUND CONDUCTOR.
11. THESE PLANS ARE NOT COMPLETE UNTIL APPROVED BY THE AUTHORITY HAVING JURISDICTION.
12. ALL CONDUCTORS SHALL BE IN CONDUIT.
13. ALL CONDUCTORS SHALL BE COPPER WITH TYPE THHN/THWN INSULATION.
14. CURRENT CALIFORNIA BUILDING CODE ACCESS COMPLIANT MOUNTING HEIGHTS APPLY ONLY TO NEW OR RELOCATED ELECTRICAL SWITCHES, OUTLETS, PUSH BUTTONS ETC.. THEY SHALL COMPLY WITH CALIFORNIA BUILDING CODE 1117B.6.
15. COORDINATE WITH SERVING ELECTRICAL UTILITY COMPANY AND MAKE PROVISIONS FOR ELECTRICAL SERVICE ACCORDINGLY. INCLUDE ALL SERVICE COSTS AND UTILITY COMPANY CHARGES IN BID.
16. COORDINATE WITH SERVING TELEPHONE UTILITY COMPANY AND MAKE PROVISIONS FOR TELEPHONE SERVICE ACCORDINGLY. INCLUDE ALL SERVICE COSTS AND ANY UTILITY COMPANY CHARGES I BID.
17. ALL PERMITS SHALL BE OBTAINED AND PAID FOR BY CONTRACTOR.

SYMBOLS

- CONDUIT EXISTING
- CONDUIT CONCEALED IN WALL OR CEILING
- CONDUIT CONCEALED UNDER FLOOR OR BELOW GRADE
- CONDUIT STUBBED OUT AND CAPPED
- CONDUIT TURNED UP
- CONDUIT TURNED DOWN
- HATCH MARKS INDICATE NO. OF #12 WIRES IN CODE SIZED CONDUIT IN 3/4" C. (Ø) MAX. IN T.C. NO MARKS = 2#12
- HOME RUN LETTER INDICATES PANEL NUMBER(S) INDICATES CIRCUIT(S)
- SWA/CUT
- GROUND CONNECTION
- DISTRIBUTION SWITCHBOARD OR PANEL
- PANEL, BRANCH CIRCUIT TYPE, SURFACE AND FLUSH
- SIGNAL TERMINAL CABINET, SURFACE & FLUSH
- FLUORESCENT FIXTURE
- OUTLET DATA: BAR INDICATES WALL MOUNT, LETTER INDICATES SWITCH CONTROL, NO. INDICATES CIRCUIT.
- SURFACE FIXTURE ON FLUSH OUTLET.
- RECESSED FIXTURE WITH JUNCTION BOX FOR THRU WIRING
- EXIT LIGHT WITH ARROWS AS SHOWN ON PLANS, WALL AND CEILING MOUNT.
- EXTERIOR WALL MOUNT FIXTURE
- LOW LEVEL EXIT SIGN, +6" AFF, +4" FROM DOOR JAMB
- LIGHT FIXTURE DESIGNATION LETTER INDICATES TYPE, NO. INDICATES WATTAGE. SEE FIXTURE SCHEDULE.
- MECHANICAL EQUIPMENT DESIGNATION. SEE MECHANICAL DRAWINGS.
- SPECIAL RECEPTACLE - SEE PLAN
- METER
- FLUSH FLOOR RECEPTACLE
- RECEPTACLE DUPLEX, 1Ø, 1ØV, NEMA 5-PR +Ø" UNO.
- DUPLEX RECEPTACLE MTP. ABOVE BACKLASH+42" UNO.
- DUPLEX RECEPTACLE W/LOWER HALF SWITCHED +Ø" UNO.
- GROUND FAULT CIRCUIT INTERRUPTING RECEPTACLE 1Ø" UNO.
- DOUBLE DUPLEX RECEPTACLE +Ø" UNO.
- CEILING RECEPTACLE
- RECEPTACLE DUPLEX, 2Ø, 1ØV, NEMA 5-3ØR +Ø" UNO.
- JUNCTION BOX 4" SQUARE, 1-1/2" DEEP UNO.
- THERMOSTAT F.B.O. +Ø"
- MOTOR, NO. INDICATES HORSEPOWER
- CLOCK OUTLET +7-6" UNO.
- DISCONNECT SWITCH, NON-FUSED
- DISCONNECT SWITCH FUSED HORSEPOWER RATED OR SIZED AS NOTED
- COMBINATION MAGNETIC STARTER WITH DISCONNECT SWITCH AND FUSES
- MAGNETIC MOTOR STARTER W/OVERLOADS IN EACH PHASE
- DIMMER W/INTEGRAL "ON-OFF" SW. +Ø" UNO.
- PUSHBUTTON +Ø" UNO.
- PHOTOCELL
- SMOKE DETECTOR
- WIRELESS ACCESS POINT
- TELEPHONE/COMPUTER/DATA OUTLET, TWO GANG BOX W/1 GANG COVERPLATE & GROMMETTED OPENING +Ø" UNO.
- CABLE TV OUTLET +Ø" UNO.
- MOTION SENSOR
- ACCESS POINT WIRELESS
- CAMERA
- EXISTING SWITCH
- SINGLE POLE SWITCH
- DOUBLE POLE SWITCH
- THREE WAY SWITCH
- SWITCH W/PILOT LT.
- MANUAL MOTOR STARTER
- FIRE ALARM CONTROL PANEL
- GROUND FAULT CIRCUIT INTERRUPTING
- LABOR SAVING TANDEM
- MAIN LINES ONLY
- W/
- C.O. CONDUIT ONLY
- W.P. WEATHERPROOF
- F.B.O. FURNISHED BY OTHERS, INSTALL & CONNECT UNLESS NOTED OTHERWISE
- N.E.C. NATIONAL ELECTRICAL CODE
- N.I.C. NOT IN CONTRACT
- (E) EXISTING
- (N) NEW
- (R) REMOVE
- (RL) RELOCATE
- S/M SURFACE MOUNT
- U/G UNDERGROUND
- C/WP COLD WATER PIPE
- AFF ABOVE FINISHED FLOOR
- HACR HEATING AND AIR CONDITIONING RATED CIRCUIT BREAKER
- N.L. NIGHT LIGHT

NOTE: NOT ALL SYMBOLS SHOWN ARE USED ON THIS PROJECT.



SINGLE LINE DIAGRAM

PRIME CONSULTANT

IBI ARCHITECTURE PLANNING

San Luis Obispo
4115 Broad Street, Suite B-6
San Luis Obispo, CA 93401
805.546.0433 fax:805.546.0504

SEAL

COPYRIGHT: Any reproduction or distribution for any purpose other than authorized by IBI Group is forbidden.

COPYRIGHT 2014 IBI GROUP

REVISIONS

NO.	DATE	APPRD.	DESCRIPTION

CONSULTANT

JMPE
ELECTRICAL ENGINEERING
LIGHTING DESIGN
CA REGISTRATION NO. E13085

5500 MING AVENUE,
SUITE 201
BAKERSFIELD, CA 93309
(805) 851-7851
FAX (805) 851-7813
email: jmaloney@jmpe.net
www.jmpe.net

AGENCY INFORMATION:

AGENCY TRACKING NO. 63321-243
FILE NO. 15-6

IDENTIFICATION STAMP
DIV. OF THE STATE ARCHITECT
OFFICE OF REGULATION SERVICES

03-117549
AC. W. FLS. M. SS. TH.
DATE: OCT 11 2016

BAKERSFIELD CITY SCHOOL DISTRICT

CHIPMAN JR. HIGH NEW RELOCATABLES (3)

2905 EISSLER ST
BAKERSFIELD, CA 93306

OPSC or OSHPD PROJ. NO.

PROJECT NO: 16166.000

DRAWN BY: AC

CHK'D BY: WITH

ISSUE DATE: 10/05/2016

SHEET TITLE

**SYMBOL LIST
GENERAL NOTES
SINGLE LINE
DIAGRAM**

SHEET NUMBER

E-0